

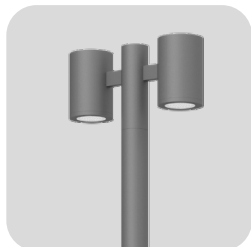
L'ARTE *LE* LUCE®

Catalog

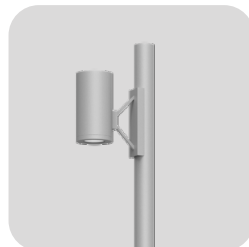
A



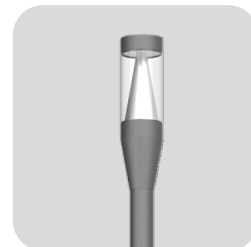
DM-DT1a[A1-A2]



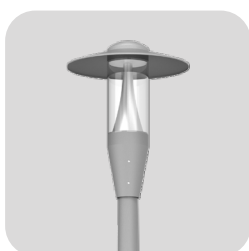
DM-DT2a[A3-A4]



DM-DT3a[A5-A6]



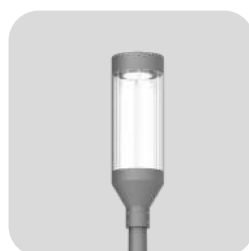
DM-DT4a[A7-A8]



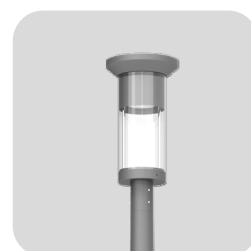
DM-DT5a[A9-A10]



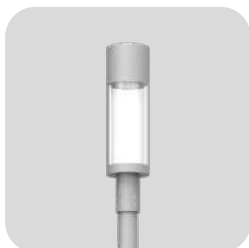
DM-DT6a[A11-A12]



DM-DT7a[B13-B14]



DM-DT8a[A15-A16]



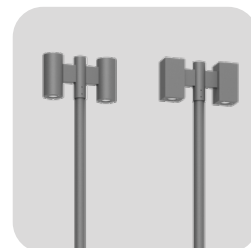
DM-DT9a[A17-A18]



DM-DT10a[A19-A20]



DM-DT11a[A21-A22]



DM-DT12a-b[A23-A26]



DM-DT13a[A27-A28]



DM-DT14a[A29-A30]



DM-DT15a[A31-A32]



DM-DT16a[A33-A34]



DM-DT17a[A35-A36]



DM-DT18a[A37-A38]



DM-DT19a[A39-A40]



DM-DT20a[A41-A42]

Catalog

A



DM-DT21a[A43-A44]



DM-DT22a[A45-A46]



DM-DT23a[A47-A48]



DM-DT24a[A49-A50]



DM-DT25a[A51-A52]



DM-DT26a[A53-A54]



DM-DT27a[B55-B56]



DM-DT28a[A57-A58]



DM-DT29a[A59-A60]



DM-DT30a[A61-A62]



DM-DT31a[A63-A64]



DM-DT32a-b[A65-A66]



DM-DT33a[A67-A68]



DM-DT34a[A69-A70]



DM-DT35a[A71-A72]



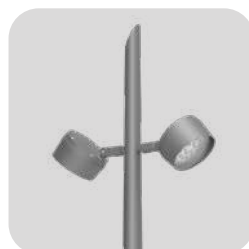
DM-DT36a[A73-A74]



DM-DT37a[A75-A76]



DM-DT38a[A77-78]



DM-DT39a[A79-A80]



DM-DT40a[A81-A82]

Catalog

A



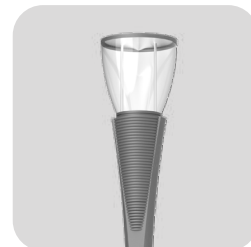
DM-DT41a[A83-A84]



DM-DT42a[A85-A86]



DM-DT43a[A87-A88]



DM-DT44a[A89-A90]



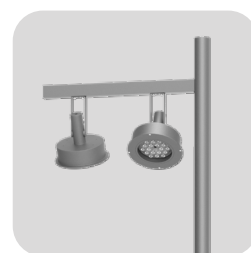
DM-DT45a[A91-A92]



DM-DT46a[A93-A94]



DM-DT47a[B95-B96]



DM-DT48a-d[A97-A104]



DM-DT49a[A105-A106]



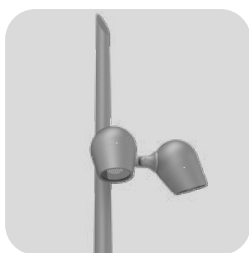
DM-DT50a[A107-A108]



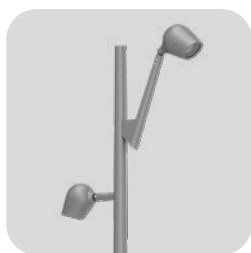
DM-DT51a[A109-A110]



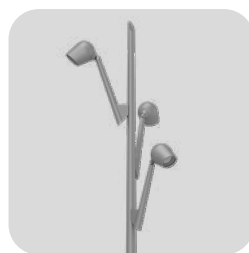
DM-DT52a-b[A111-A112]



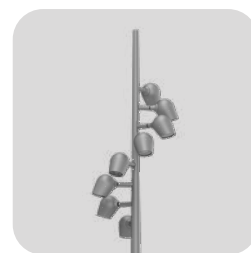
DM-DT53a[A113-A114]



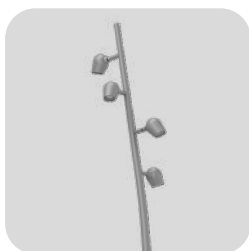
DM-DT54a[A115-A116]



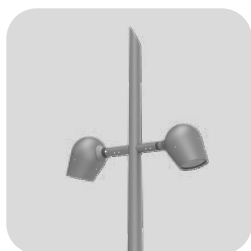
DM-DT55a[A117-A118]



DM-DT56a[A119-A120]



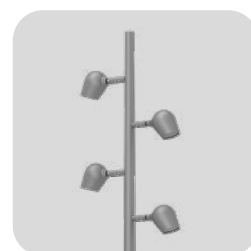
DM-DT57a[A121-A122]



DM-DT58a[A123-A124]



DM-DT59a[A125-A126]



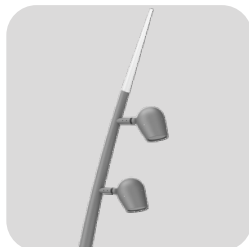
DM-DT60a[A128-A129]

Catalog

A



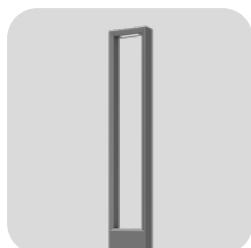
DM-DT61a[A129-A130]



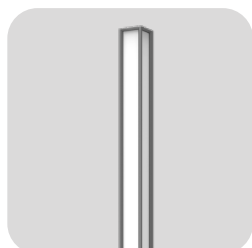
DM-DT62a[A131-A132]

Catalog

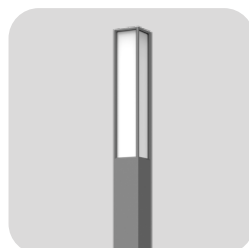
B



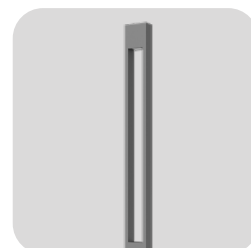
DM-LZ1A[B1-B2]



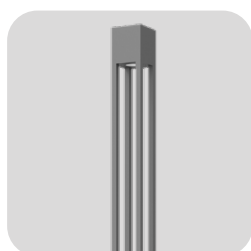
DM-LZ2a[B3-B4]



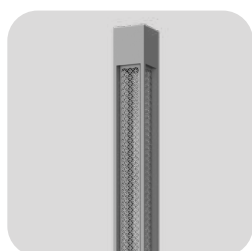
DM-LZ3a[B5-B6]



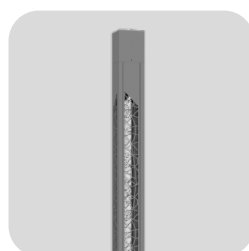
DM-LZ4a[B7-B8]



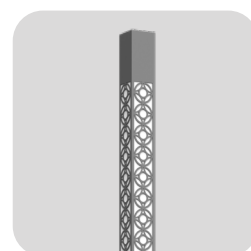
DM-LZ5a[B9-B10]



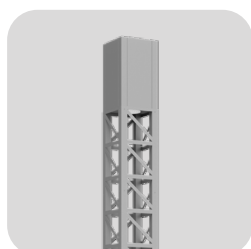
DM-LZ6a[B11-B12]



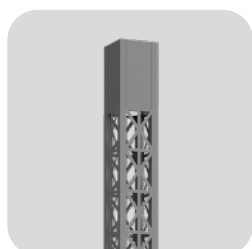
DM-LZ7a[B13-B14]



DM-LZ8a[B15-B16]



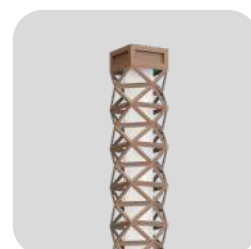
DM-LZ9a[B17-B18]



DM-LZ10a[B19-B20]



DM-LZ11a[B21-B22]



DM-LZ12a[B23-B24]



DM-MF1A[C1-C2]



DM-MF2a[C3-C4]



DM-MF3a[C5-C6]



DM-MF4a[C7-C8]



DM-MF5a[C9-C10]



DM-MF6a[C11-C12]



DM-MF7a[C13-C14]



DM-MF8a[C15-C16]



DM-MF9a[C17-C18]



DM-MF10a[C19-C20]



DM-MF11a[C21-C22]



DM-MF12a[C23-C24]



DM-MF13a[C25-C26]



DM-MF14a[C27-C28]



DM-MF15a[C29-C30]



DM-MF16a[C31-C32]



DM-MF17a[C33-C34]



DM-MF18a[C35-C36]



DM-MF19a[C37-C38]



DM-MF20a[C39-C40]



DM-MF21A[C41-C42]



DM-MF22a[C43-C44]



DM-MF23a[C45-C46]



DM-MF24a[C47-C48]



DM-MF25a[C49-C50]



DM-MF26a[C51-C52]



DM-MF27a[C53-C54]



DM-MF28a[C55-C56]



DM-MF29a[C57-C58]



DM-MF30a[C59-C60]



DM-MF31a-b[C61-C64]



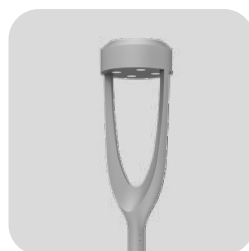
DM-MF32a[C65-C66]



DM-MF33a[C67-C68]



DM-MF34a[C69-C70]



DM-MF35a[C71-C78]



DM-MF36a[C73-C74]



DM-MF37a[C75-C76]



DM-MF38a[C77-C78]

Catalog

D



DM-OS1A[D1-D2]



DM-OS2a[D3-D4]



DM-OS3a[D5-D6]

Catalog

E



DM-LX1A[E1-E2]



DM-LX2a[E3-E4]



DM-LX3a[E5-E6]



DM-LX4a[E7-E8]



DM-LX5a[E9-E10]



DM-LX6a[E11-E12]



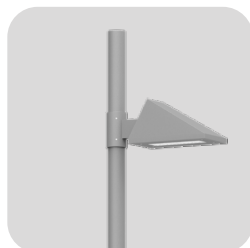
DM-LX7a[E13-E14]



DM-LX8a[E15-E16]



DM-LX9a[E17-E18]



DM-LX10a[E19-E20]



DM-LX11a[E21-E22]



DM-LX12a[E23-E24]



DM-LX13a[E25-E26]



DM-LX14a[E27-E28]



DM-LX15a[E29-E30]



DM-LX16a[E31-E32]



DM-LX17a[E33-E34]



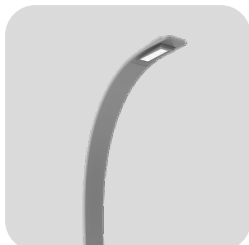
DM-LX18a[E35-E38]



DM-LX19a[E39-E40]

Catalog

F



DM-ZX1A[F1-F2]



DM-ZX2a[F3-F4]



DM-ZX3a[F5-F6]



DM-ZX4a[F7-F8]



DM-ZX5a[F9-F10]



DM-ZX6a[F11-F12]



DM-ZX7a[F13-F14]



DM-ZX8a[F15-F16]



DM-ZX9a[F17-F18]

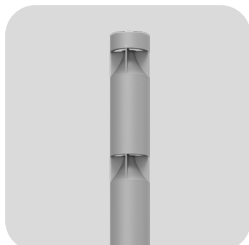


DM-ZX10a[F19-F20]

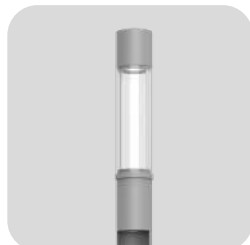


Catalog

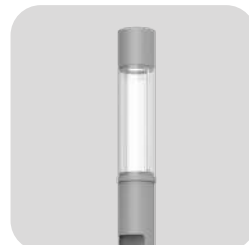
G



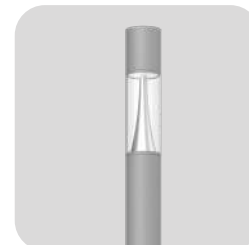
DM-YG1a-c[G1-G6]



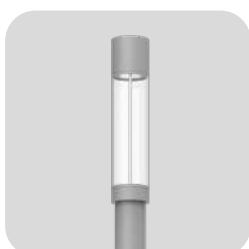
DM-YG2a[G7-G8]



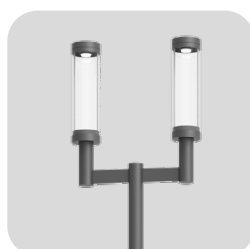
DM-YG3a[G9-G10]



DM-YG4a[G11-G12]



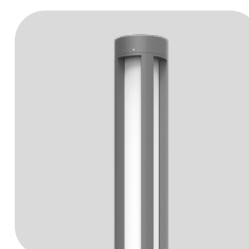
DM-YG5a[G13-G14]



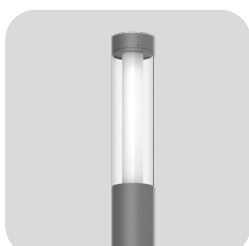
DM-YG6a[G15-G16]



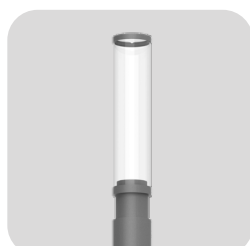
DM-YG7a[G17-G18]



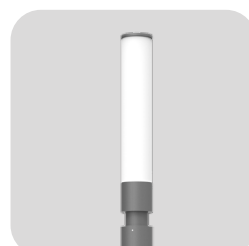
DM-YG8a[G19-G20]



DM-YG9a[G21-G22]



DM-YG10a[G23-G24]



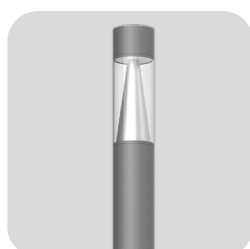
DM-YG11a[G25-G26]



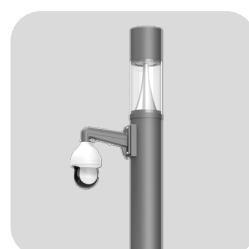
DM-YG12a[G27-G28]



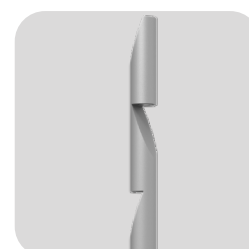
DM-YG13a[G29-G30]



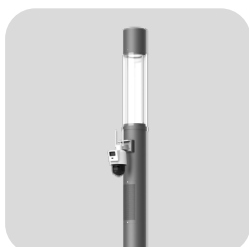
DM-YG14a[G31-G32]



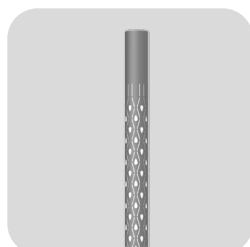
DM-YG15a[G33-G34]



DM-YG16a[G35-G36]



DM-YG17a[G37-G38]



DM-YG18a[G39-G40]



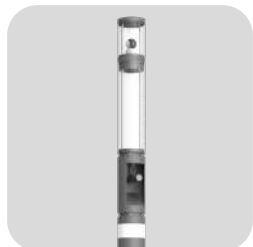
DM-YG19a[G41-G42]



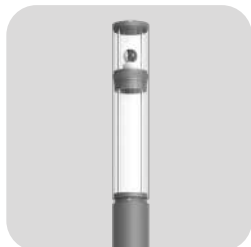
DM-YG20a[G43-G44]

Catalog

G



DM-YG21a-c[G45-G46]



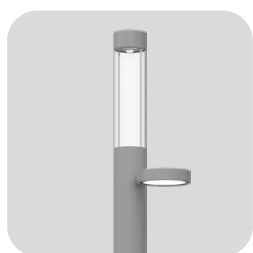
DM-YG22a[G47-G48]



DM-YG23a[G49-G50]



DM-YG24a[G51-G52]



DM-YG25a[G53-G54]



DM-YG26a[G55-G56]

Catalog

H



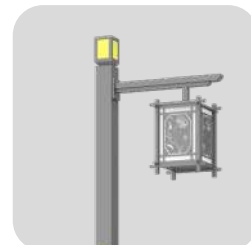
DM-HN1A[H1-H6]



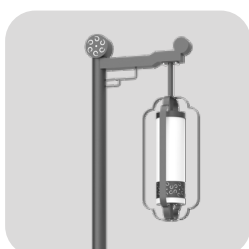
DM-HN2a-d[H3-H10]



DM-HN3a[H11-H12]



DM-HN4a[H13-H14]



DM-HN5a[H15-H16]



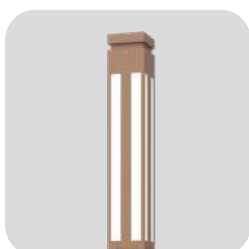
DM-HN6a[H17-H18]



DM-HN7a[H19-H20]



DM-HN8a[H21-H22]



DM-HN9a[H23-H24]



DM-HN10a[H25-H26]



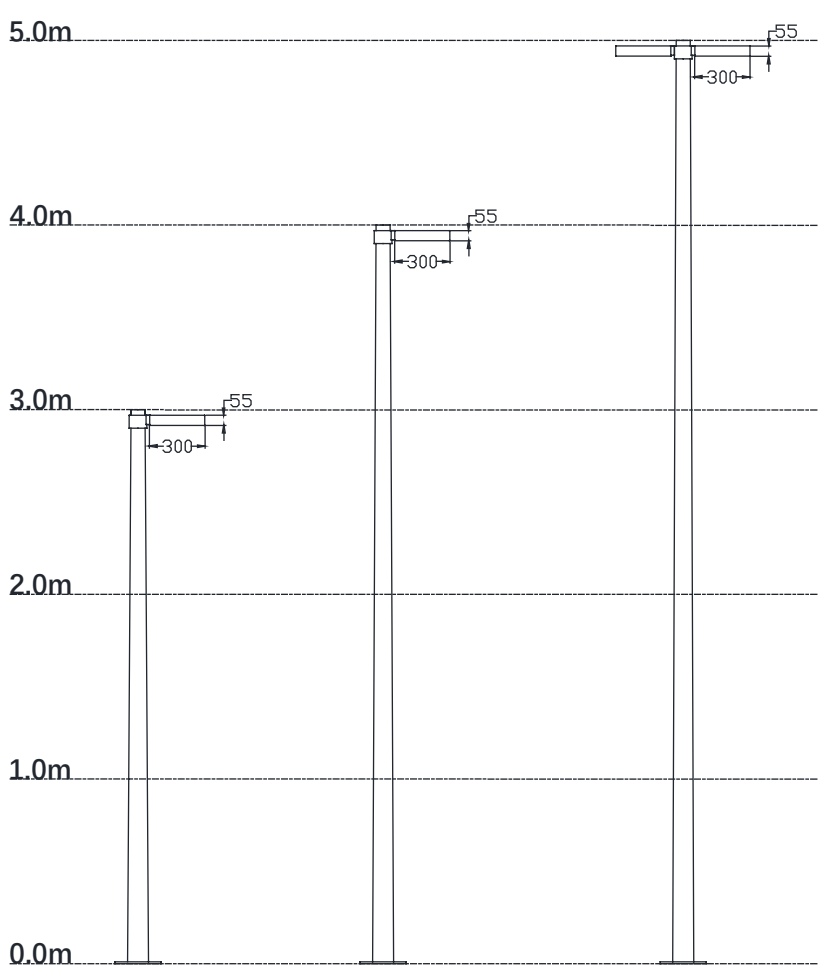
DM-HN11a[H27-H28]



DM-HN12a[H29-H30]

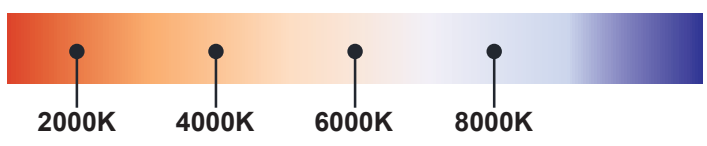


DM-HN13a[H31-H32]



DM-DT1a

Colo(u)r temperature

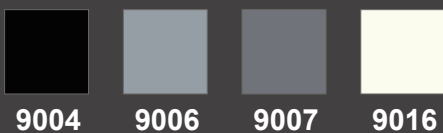


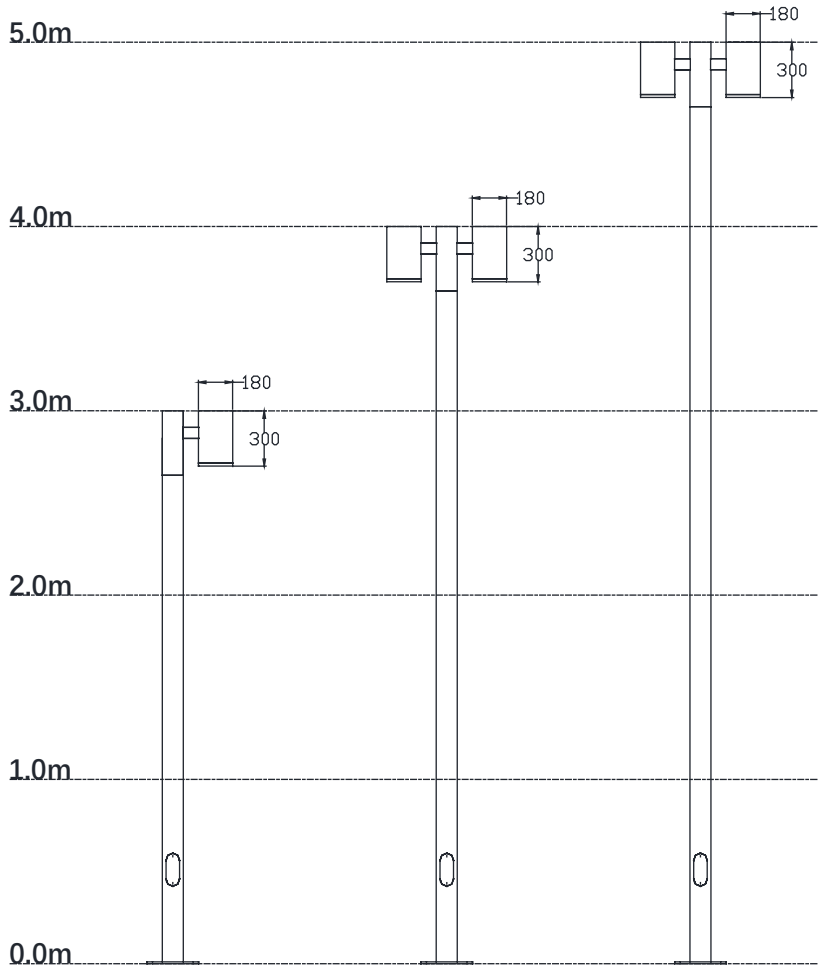
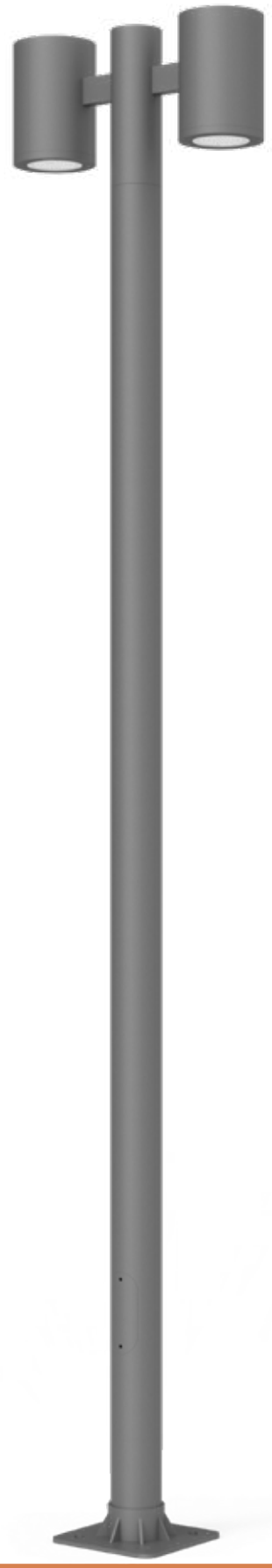


Rated power	30W~60W	Power Factor	> 0.9
LED Quantity	30-60pcs	Life	> 50000H
Color Temperature	6000k/4000k/3000k	THD	< 15%
Luminous Flux	2700lm~5400lm	Frequency Range	50/60HZ
Input Voltage	AC220~240V	Installation Pipe Diameter	/
Protection Grade	IP65	CRI	> 90
Operating Temperature	-30~50°C		

DM-DT1a

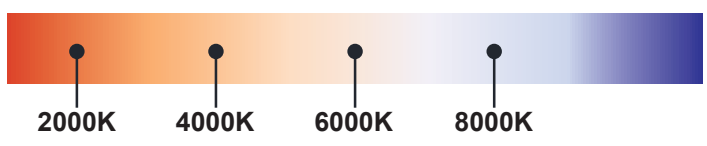
Standard colours





DM-DT2a

Colo(u)r temperature



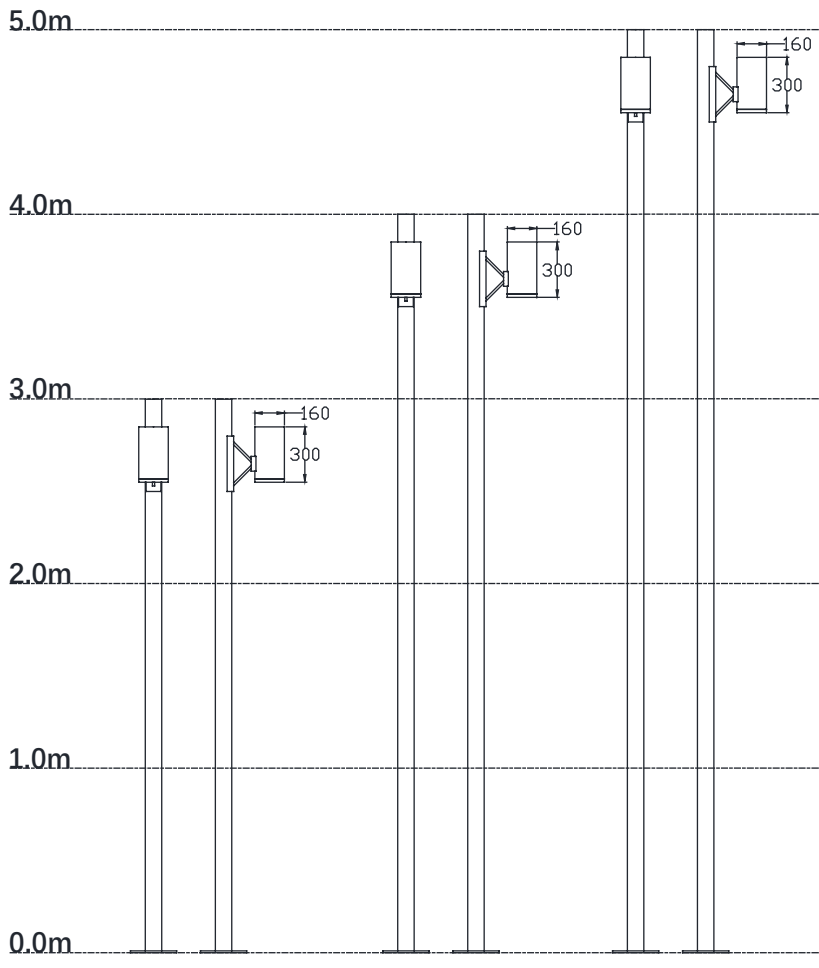


Rated power	30W~60W	Power Factor	> 0.9
LED Quantity	30-60pcs	Life	> 50000H
Color Temperature	6000k/4000k/3000k	THD	< 15%
Luminous Flux	2700lm~5400lm	Frequency Range	50/60HZ
Input Voltage	AC220~240V	Installation Pipe Diameter	/
Protection Grade	IP65	CRI	> 90
Operating Temperature	-30~50°C		

DM-DT2a

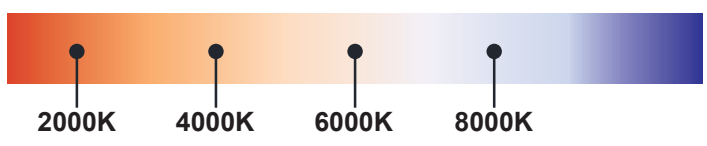
Standard colours





DM-DT3a

Colo(u)r temperature

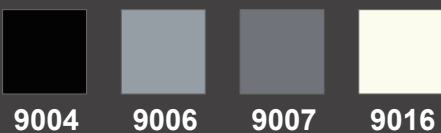


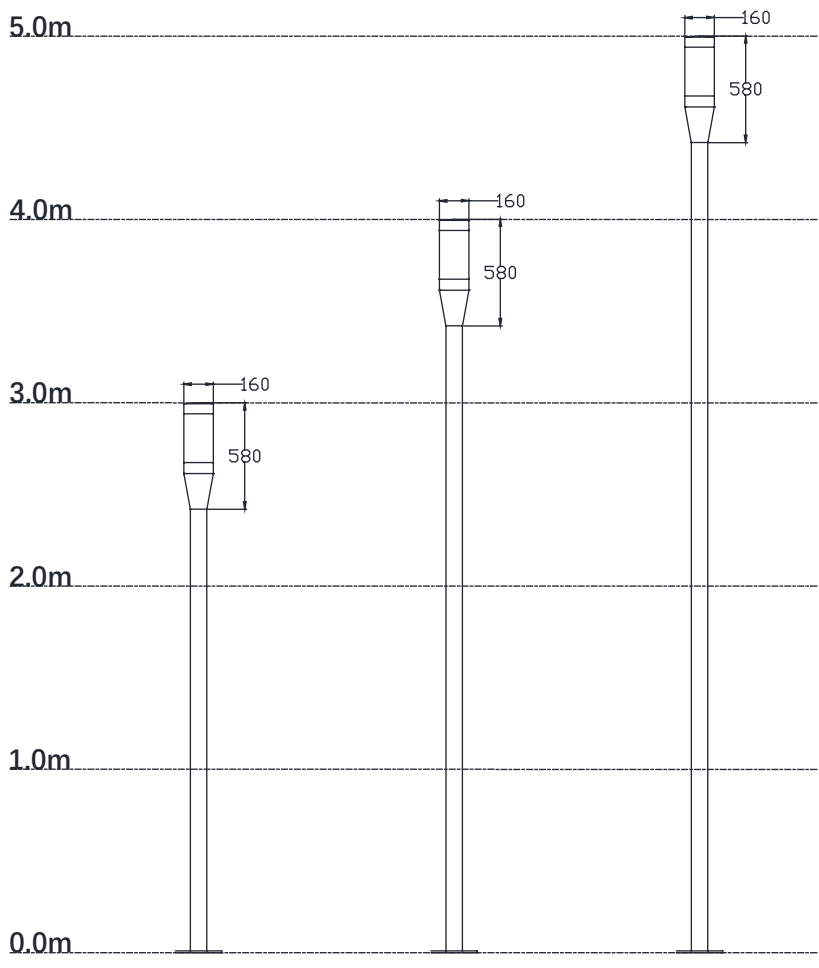
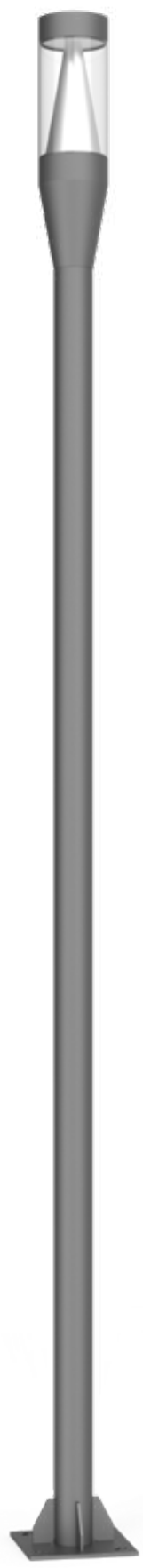


Rated power	30W~60W	Power Factor	> 0.9
LED Quantity	30-60pcs	Life	> 50000H
Color Temperature	6000k/4000k/3000k	THD	< 15%
Luminous Flux	2700lm~5400lm	Frequency Range	50/60HZ
Input Voltage	AC220~240V	Installation Pipe Diameter	/
Protection Grade	IP65	CRI	> 90
Operating Temperature	-30~50°C		

DM-DT3a

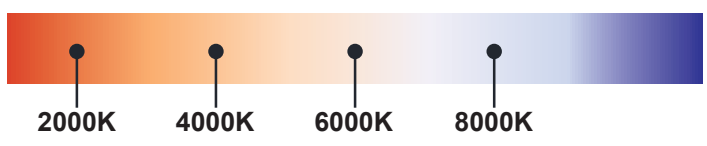
Standard colours





DM-DT4a

Colo(u)r temperature



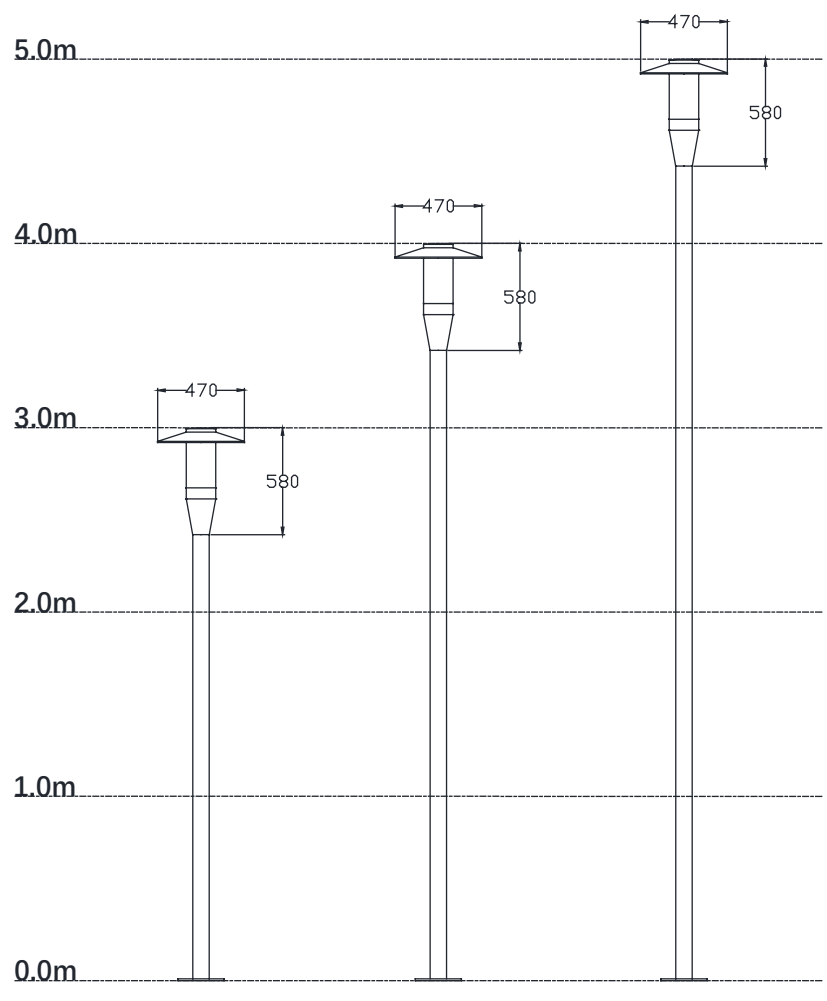
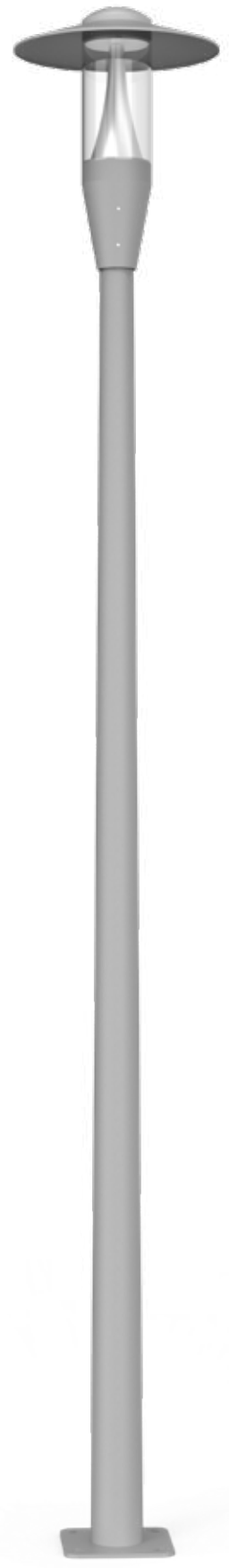


Rated power	30W~60W	Power Factor	> 0.9
LED Quantity	30-60pcs	Life	> 50000H
Color Temperature	6000k/4000k/3000k	THD	< 15%
Luminous Flux	2700lm~5400lm	Frequency Range	50/60HZ
Input Voltage	AC220~240V	Installation Pipe Diameter	/
Protection Grade	IP65	CRI	> 90
Operating Temperature	-30~50°C		

DM-DT4a

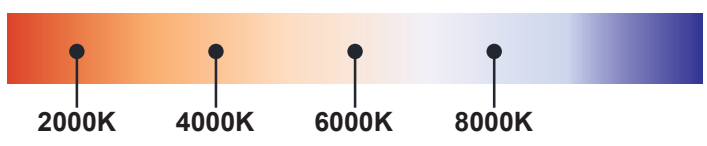
Standard colours





DM-DT5a

Colo(u)r temperature

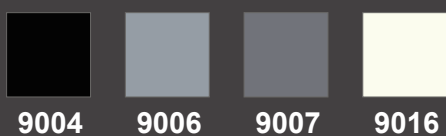


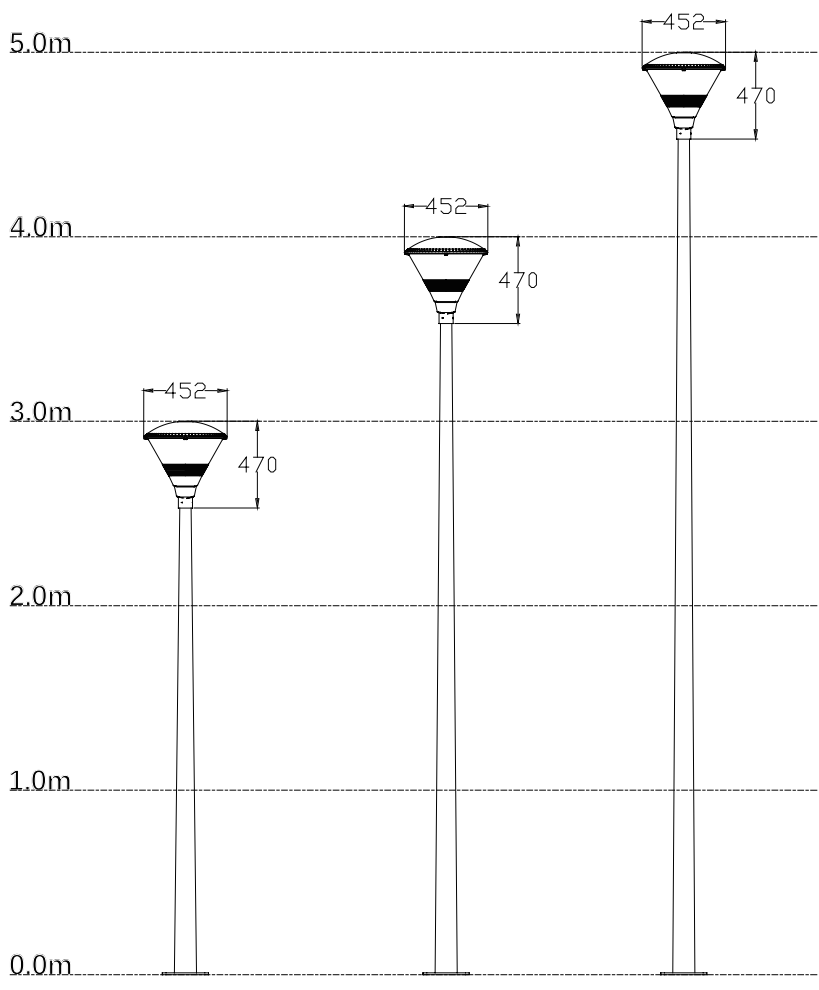


Rated power	30W~60W	Power Factor	> 0.9
LED Quantity	30-60pcs	Life	> 50000H
Color Temperature	6000k/4000k/3000k	THD	< 15%
Luminous Flux	2700lm~5400lm	Frequency Range	50/60HZ
Input Voltage	AC220~240V	Installation Pipe Diameter	/
Protection Grade	IP65	CRI	> 90
Operating Temperature	-30~50°C		

DM-DT5a

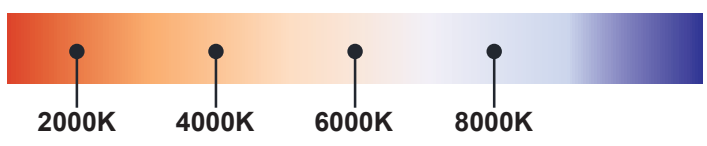
Standard colours





DM-DT6a

Colo(u)r temperature

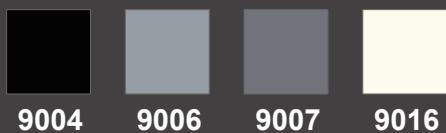




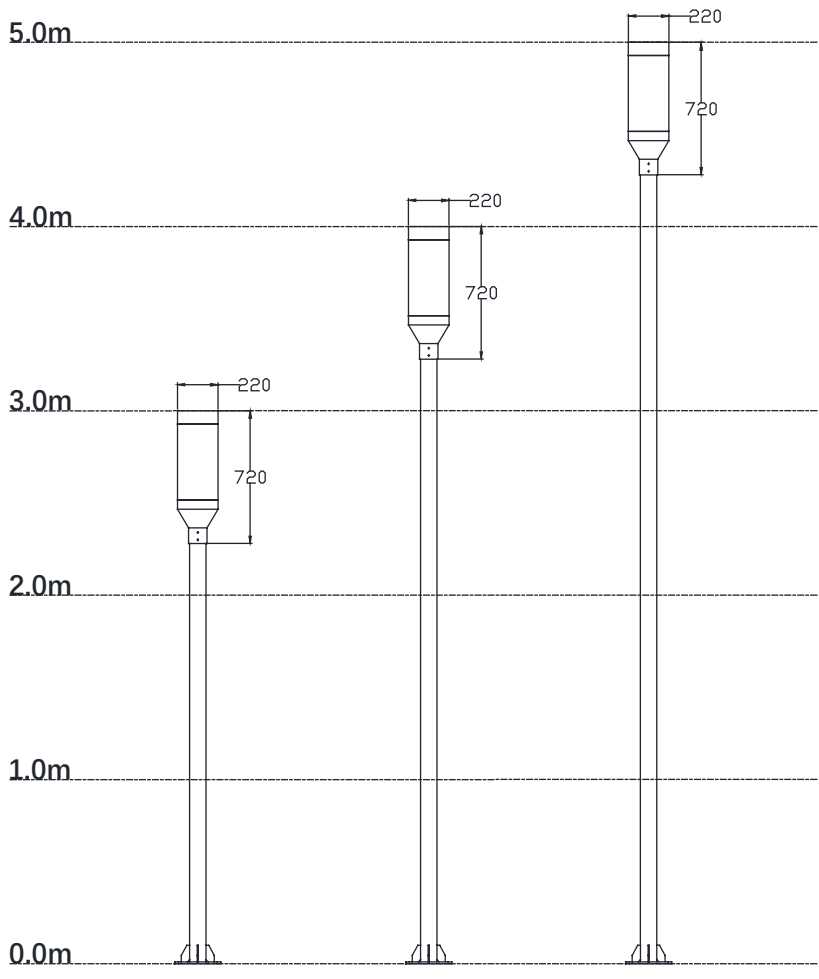
Rated power	30W~60W	Power Factor	> 0.9
LED Quantity	30-60pcs	Life	> 50000H
Color Temperature	6000k/4000k/3000k	THD	< 15%
Luminous Flux	2700lm~5400lm	Frequency Range	50/60HZ
Input Voltage	AC220~240V	Installation Pipe Diameter	/
Protection Grade	IP65	CRI	> 90
Operating Temperature	-30~50°C		

DM-DT6a

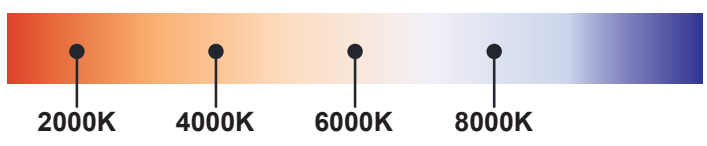
Standard colours



DM-DT7a



Colo(u)r temperature





Rated power	30W~60W	Power Factor	> 0.9
LED Quantity	30-60pcs	Life	> 50000H
Color Temperature	6000k/4000k/3000k	THD	< 15%
Luminous Flux	2700lm~5400lm	Frequency Range	50/60HZ
Input Voltage	AC220~240V	Installation Pipe Diameter	/
Protection Grade	IP65	CRI	> 90
Operating Temperature	-30~50°C		

DM-DT7a

Standard colours



9004



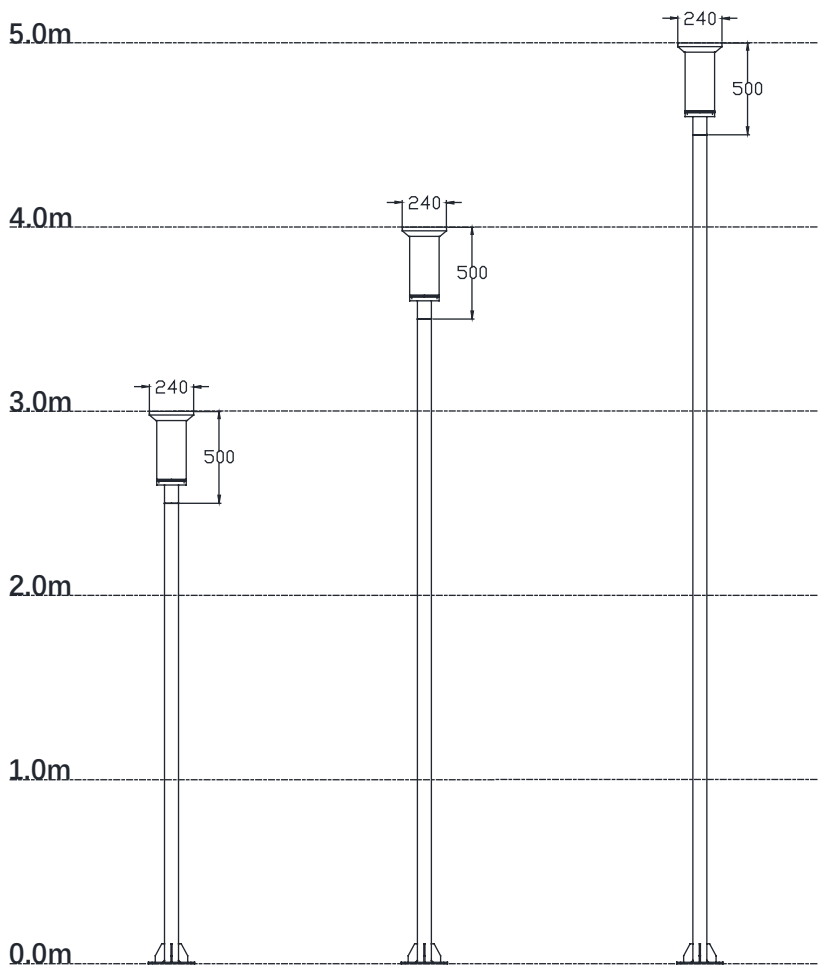
9006



9007

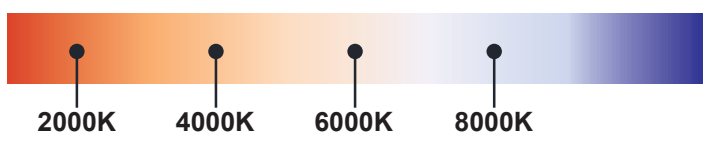


9016



DM-DT8a

Colo(u)r temperature

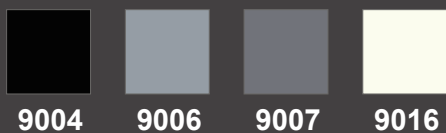




Rated power	30W~60W	Power Factor	> 0.9
LED Quantity	30-60pcs	Life	> 50000H
Color Temperature	6000k/4000k/3000k	THD	< 15%
Luminous Flux	2700lm~5400lm	Frequency Range	50/60HZ
Input Voltage	AC220~240V	Installation Pipe Diameter	/
Protection Grade	IP65	CRI	> 90
Operating Temperature	-30~50°C		

DM-DT8a

Standard colours



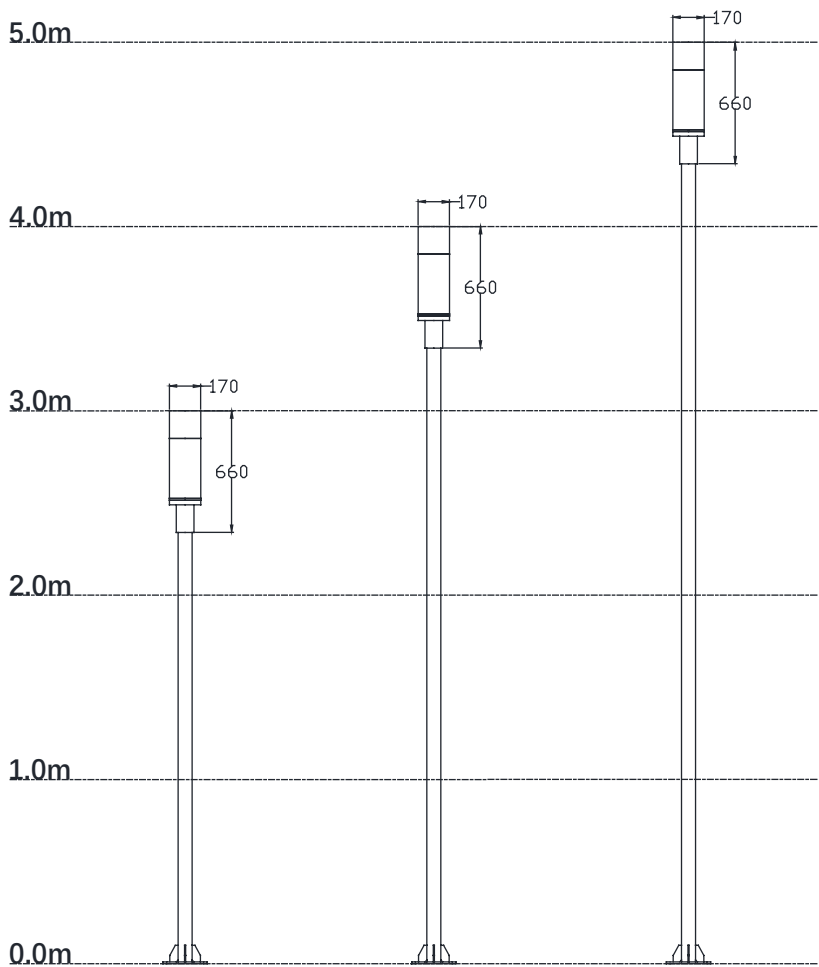
9004

9006

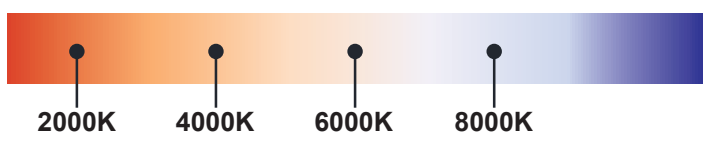
9007

9016

DM-DT9a



Colo(u)r temperature

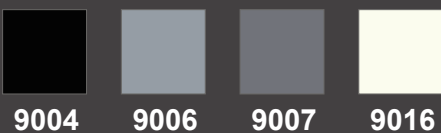




Rated power	30W~60W	Power Factor	> 0.9
LED Quantity	30-60pcs	Life	> 50000H
Color Temperature	6000k/4000k/3000k	THD	< 15%
Luminous Flux	2700lm~5400lm	Frequency Range	50/60HZ
Input Voltage	AC220~240V	Installation Pipe Diameter	/
Protection Grade	IP65	CRI	> 90
Operating Temperature	-30~50°C		

DM-DT9a

Standard colours



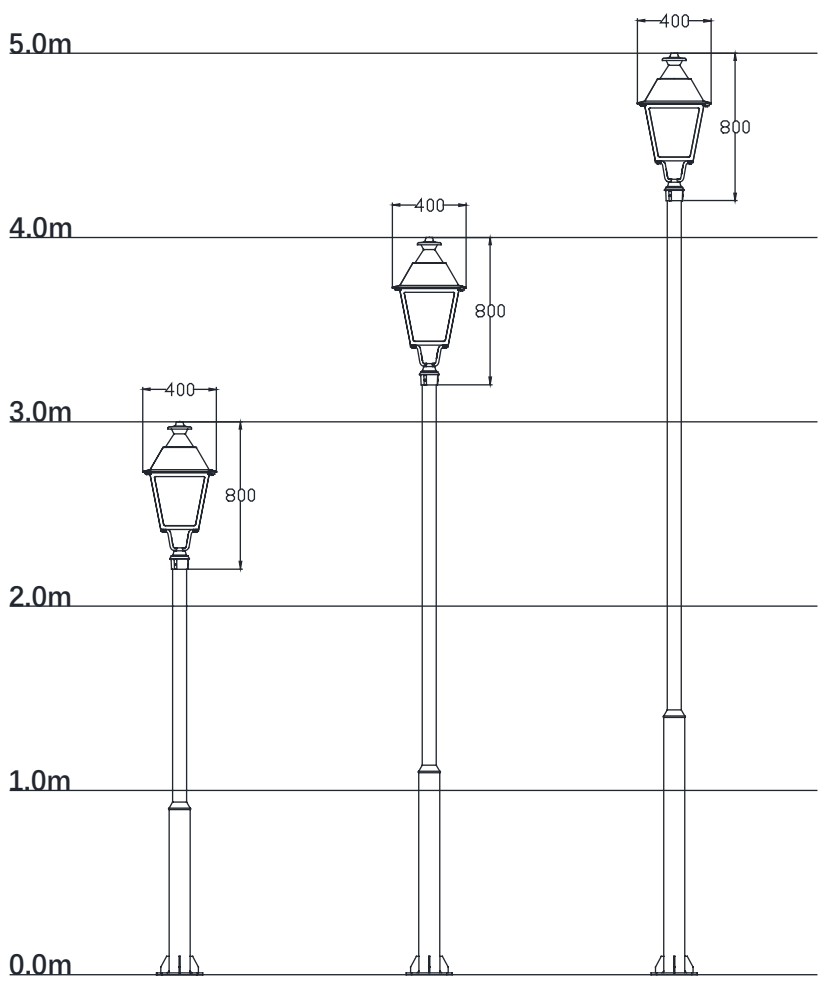
9004

9006

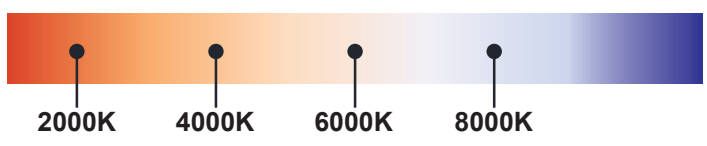
9007

9016

DM-DT10a



Colo(u)r temperature





Rated power	30W~60W	Power Factor	> 0.9
LED Quantity	30-60pcs	Life	> 50000H
Color Temperature	6000k/4000k/3000k	THD	< 15%
Luminous Flux	2700lm~5400lm	Frequency Range	50/60HZ
Input Voltage	AC220~240V	Installation Pipe Diameter	/
Protection Grade	IP65	CRI	> 90
Operating Temperature	-30~50°C		

DM-DT10a

Standard colours



9004



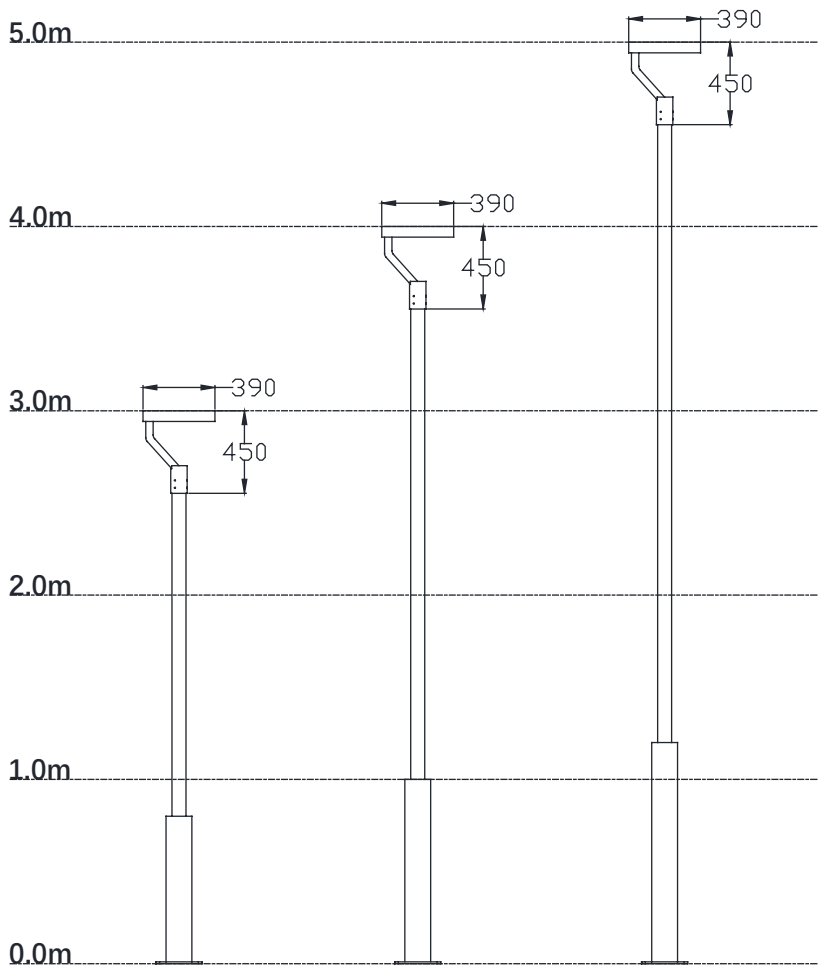
9006



9007

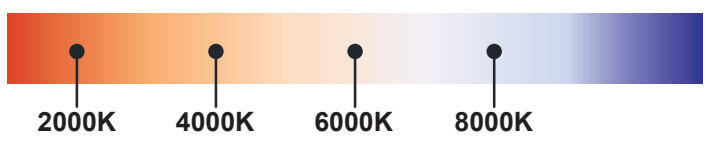


9016



DM-DT11a

Colo(u)r temperature

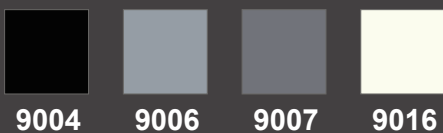


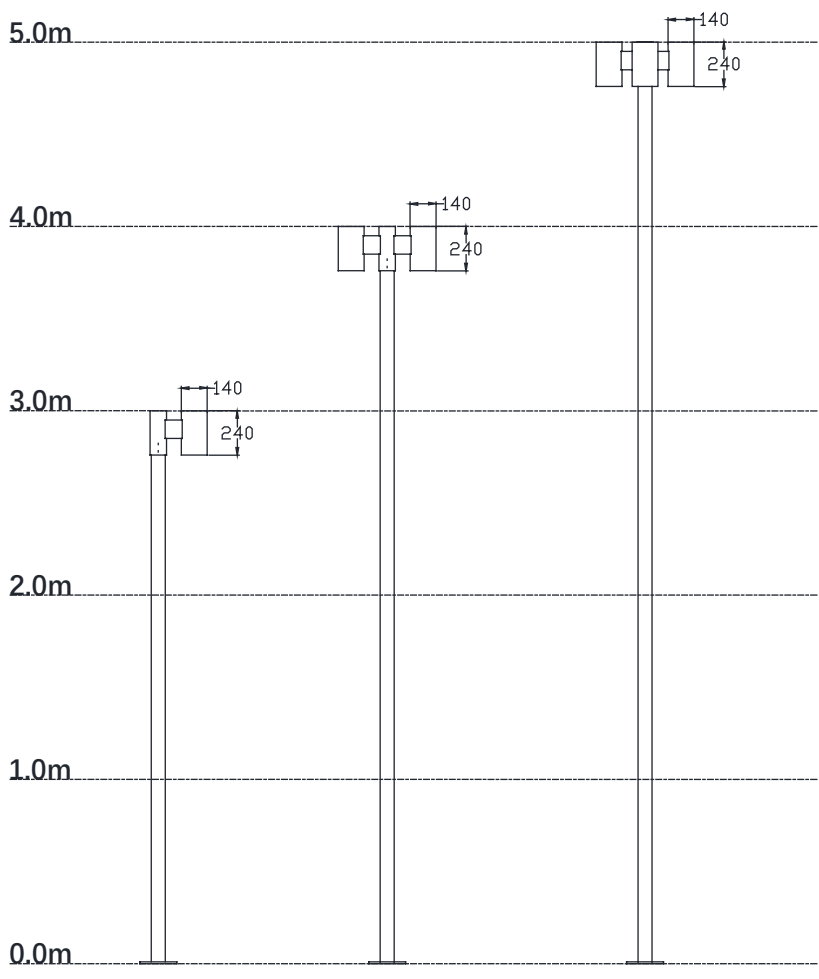
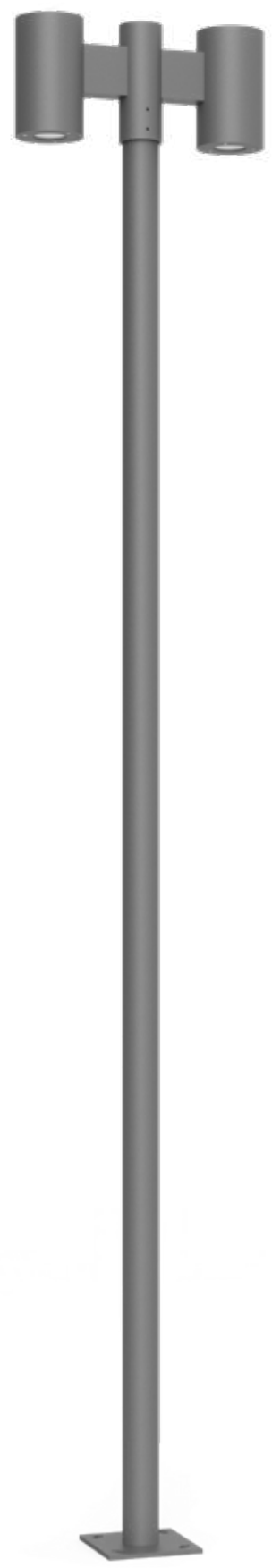


Rated power	30W~60W	Power Factor	> 0.9
LED Quantity	30-60pcs	Life	> 50000H
Color Temperature	6000k/4000k/3000k	THD	< 15%
Luminous Flux	2700lm~5400lm	Frequency Range	50/60HZ
Input Voltage	AC220~240V	Installation Pipe Diameter	/
Protection Grade	IP65	CRI	> 90
Operating Temperature	-30~50°C		

DM-DT11a

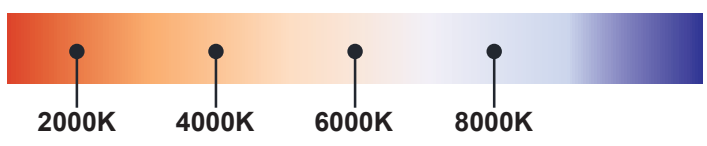
Standard colours





DM-DT12a

Color temperature





Rated power	30W~60W	Power Factor	> 0.9
LED Quantity	30-60pcs	Life	> 50000H
Color Temperature	6000k/4000k/3000k	THD	< 15%
Luminous Flux	2700lm~5400lm	Frequency Range	50/60HZ
Input Voltage	AC220~240V	Installation Pipe Diameter	/
Protection Grade	IP65	CRI	> 90
Operating Temperature	-30~50°C		

DM-DT12a

Standard colours



9004



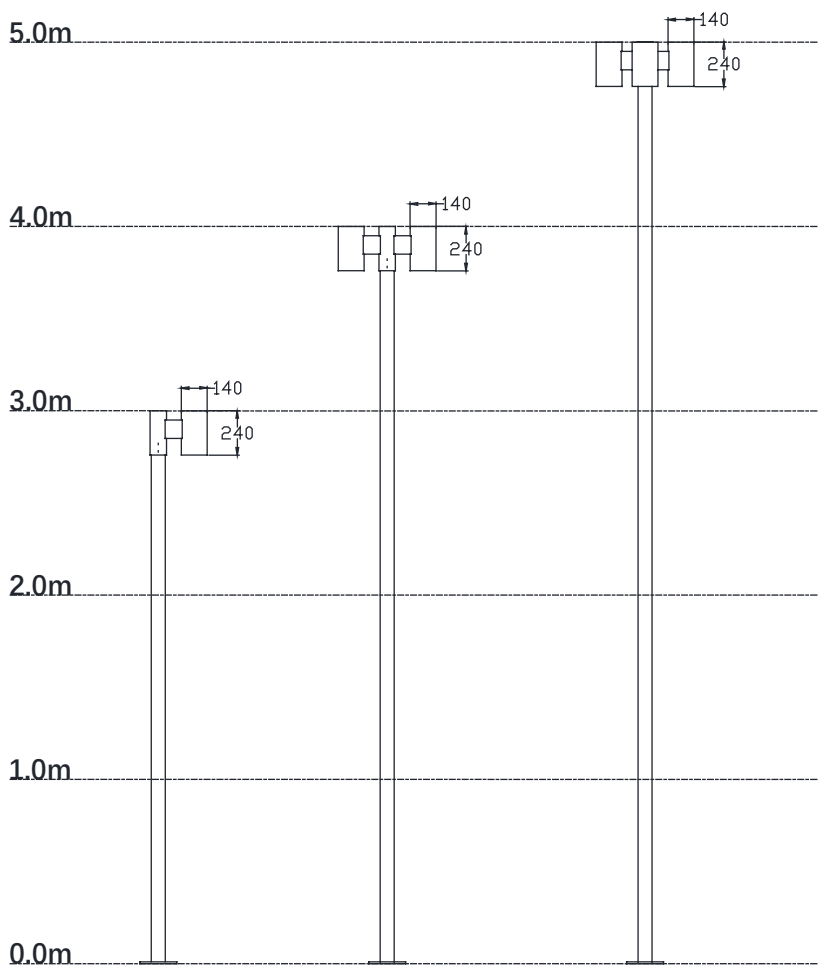
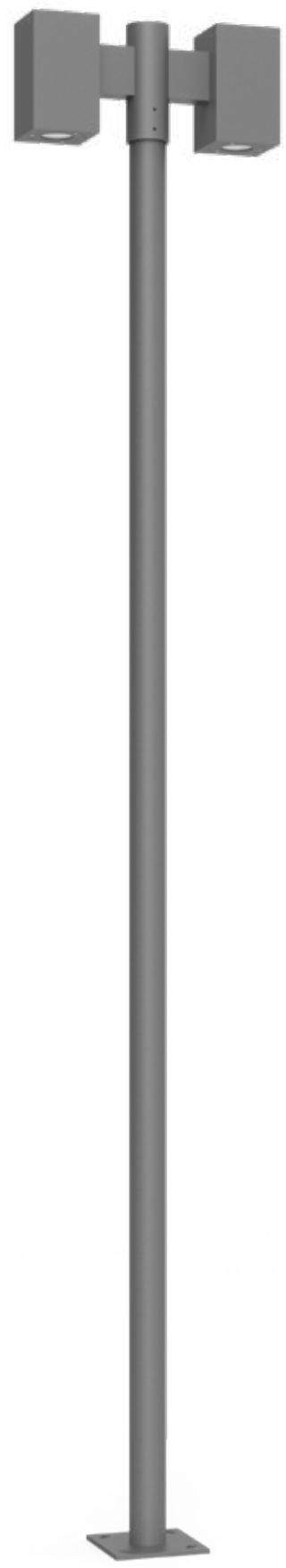
9006



9007

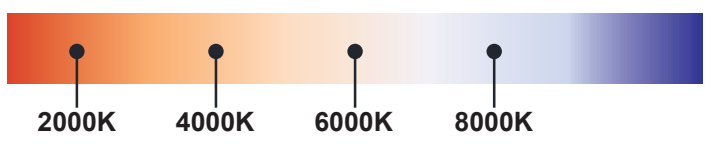


9016



DM-DT12b

Colo(u)r temperature

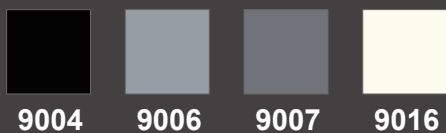


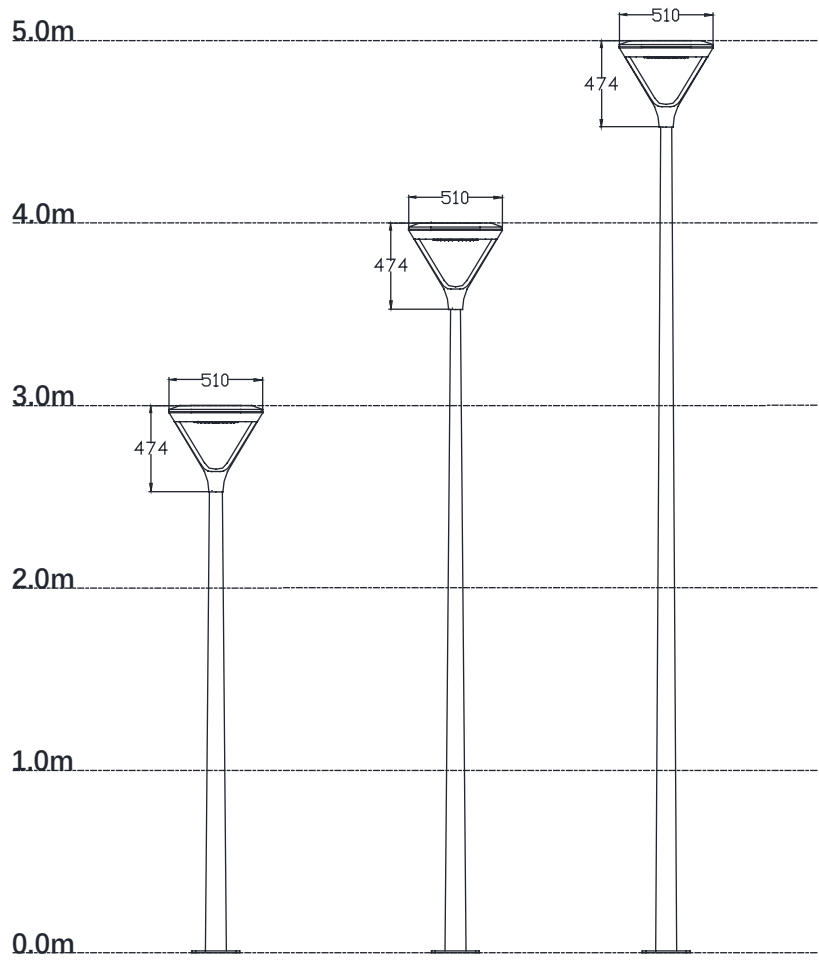


Rated power	30W~60W	Power Factor	> 0.9
LED Quantity	30-60pcs	Life	> 50000H
Color Temperature	6000k/4000k/3000k	THD	< 15%
Luminous Flux	2700lm~5400lm	Frequency Range	50/60HZ
Input Voltage	AC220~240V	Installation Pipe Diameter	/
Protection Grade	IP65	CRI	> 90
Operating Temperature	-30~50°C		

DM-DT12b

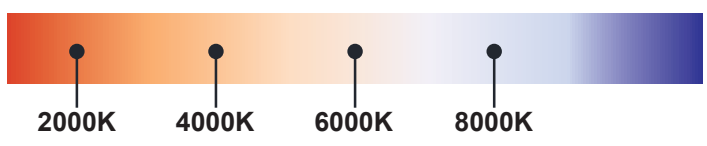
Standard colours





DM-DT13a

Colo(u)r temperature

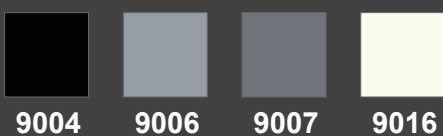


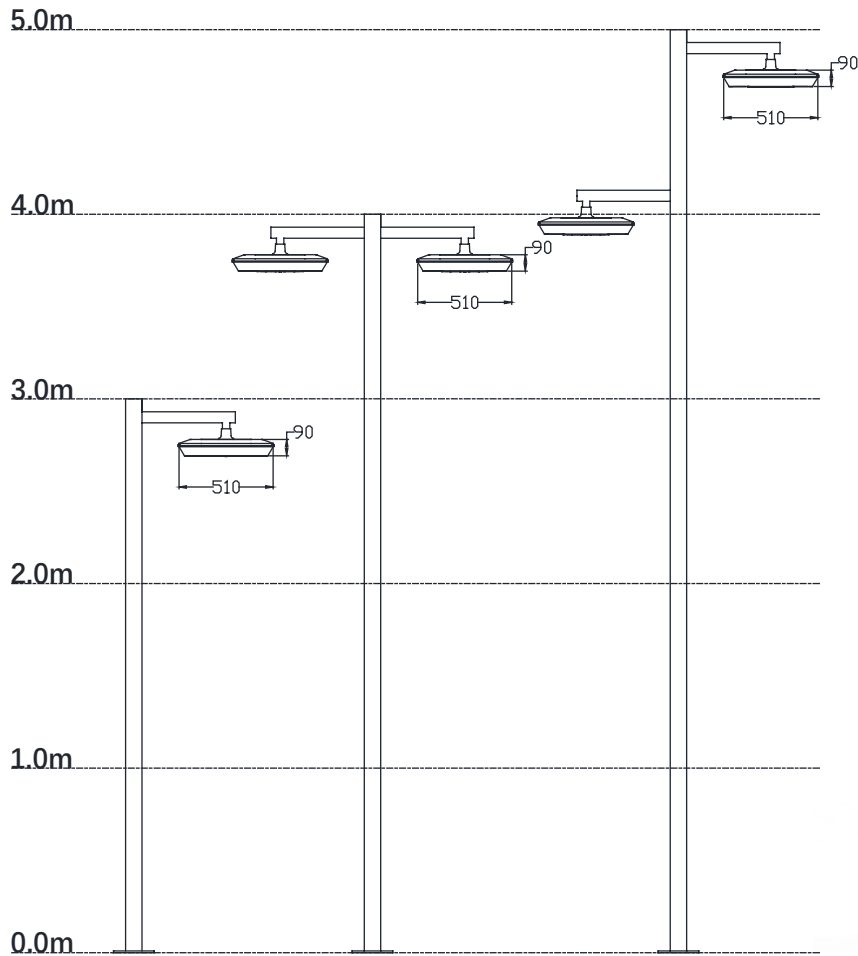
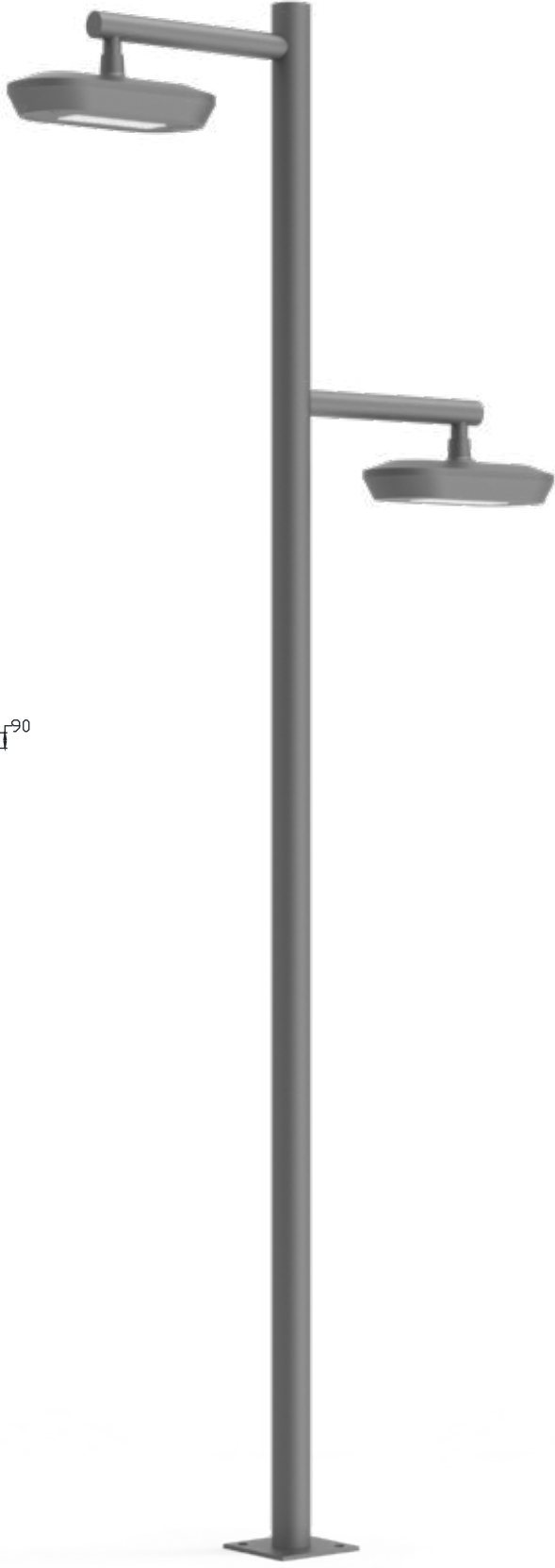


Rated power	30W~60W	Power Factor	> 0.9
LED Quantity	30-60pcs	Life	> 50000H
Color Temperature	6000k/4000k/3000k	THD	< 15%
Luminous Flux	2700lm~5400lm	Frequency Range	50/60HZ
Input Voltage	AC220~240V	Installation Pipe Diameter	/
Protection Grade	IP65	CRI	> 90
Operating Temperature	-30~50°C		

DM-DT13a

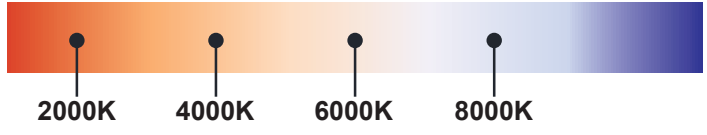
Standard colours





DM-DT14a

Color temperature

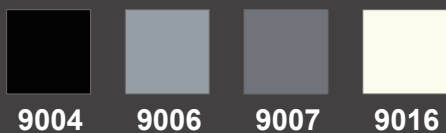




Rated power	30W~60W	Power Factor	> 0.9
LED Quantity	30-60pcs	Life	> 50000H
Color Temperature	6000k/4000k/3000k	THD	< 15%
Luminous Flux	2700lm~5400lm	Frequency Range	50/60HZ
Input Voltage	AC220~240V	Installation Pipe Diameter	/
Protection Grade	IP65	CRI	> 90
Operating Temperature	-30~50°C		

DM-DT14a

Standard colours

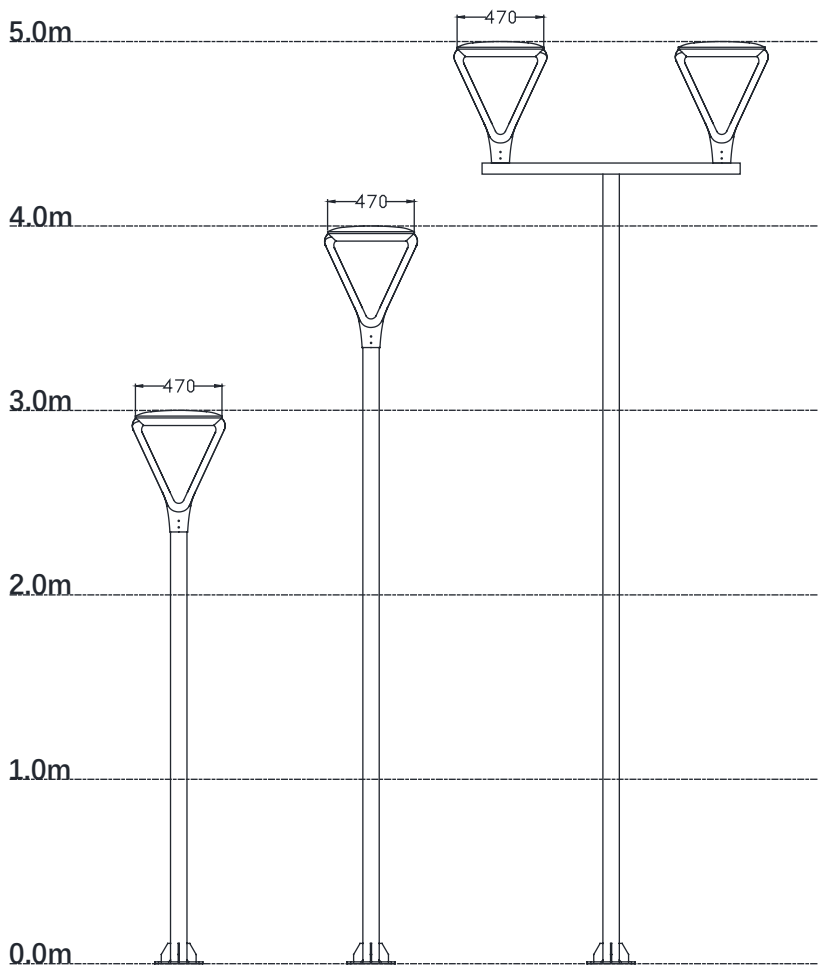
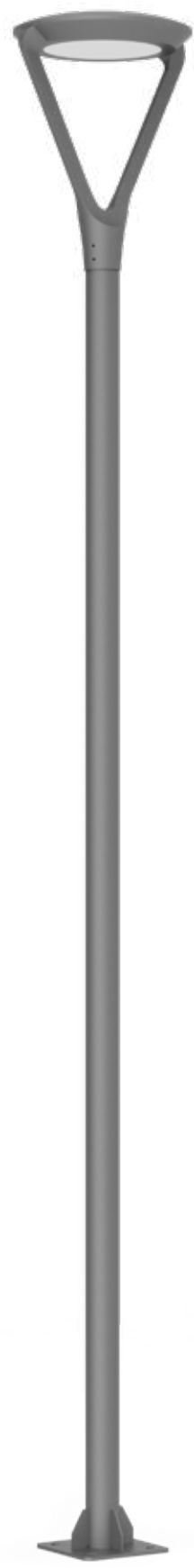


9004

9006

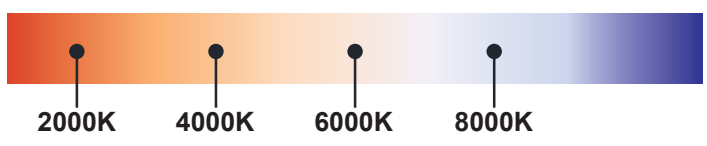
9007

9016



DM-DT15a

Colo(u)r temperature





Rated power	30W~60W	Power Factor	> 0.9
LED Quantity	30-60pcs	Life	> 50000H
Color Temperature	6000k/4000k/3000k	THD	< 15%
Luminous Flux	2700lm~5400lm	Frequency Range	50/60HZ
Input Voltage	AC220~240V	Installation Pipe Diameter	/
Protection Grade	IP65	CRI	> 90
Operating Temperature	-30~50°C		

DM-DT15a

Standard colours



9004



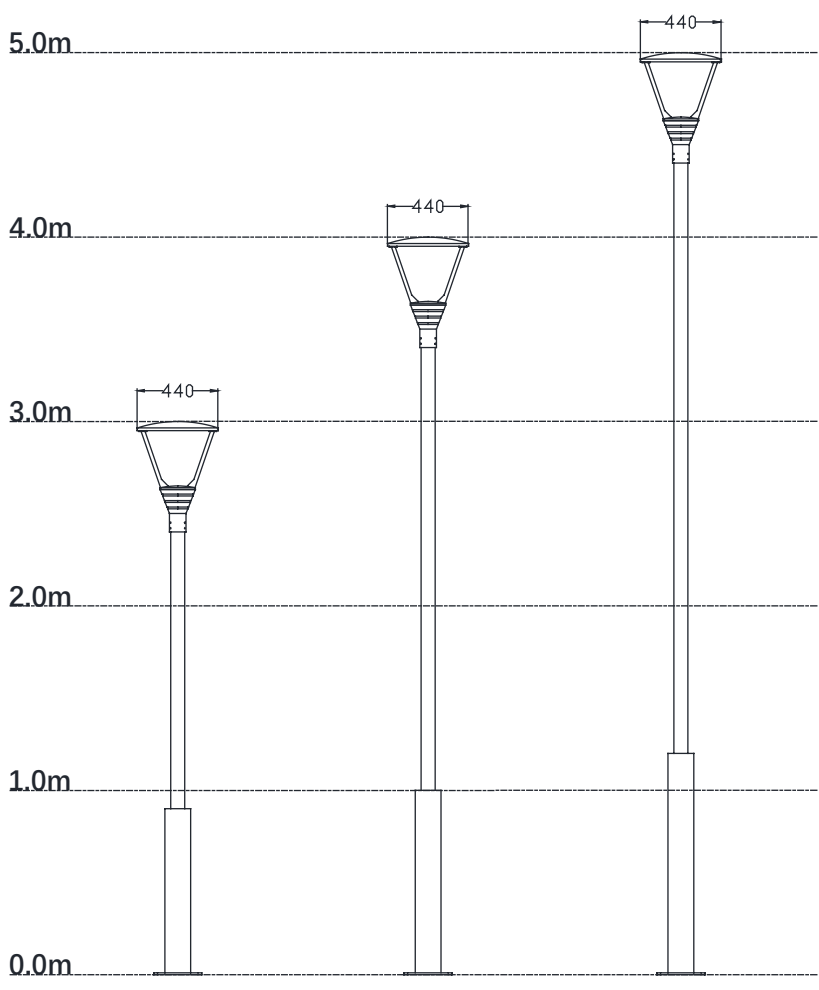
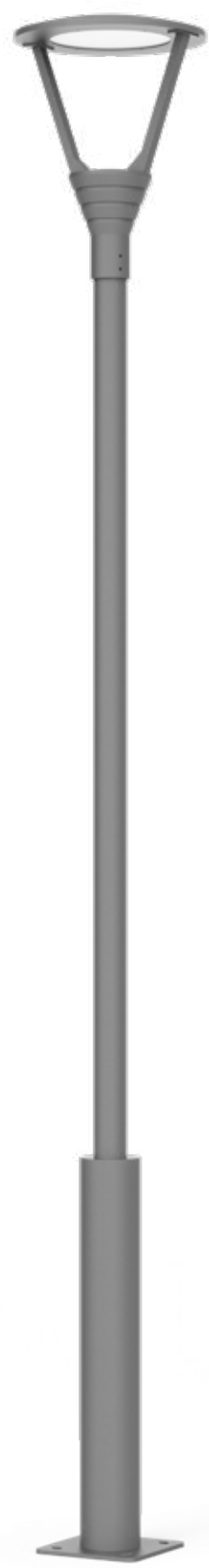
9006



9007

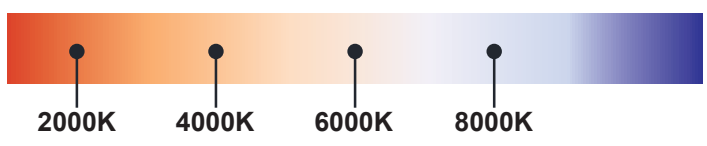


9016



DM-DT16a

Colo(u)r temperature

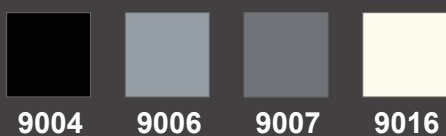


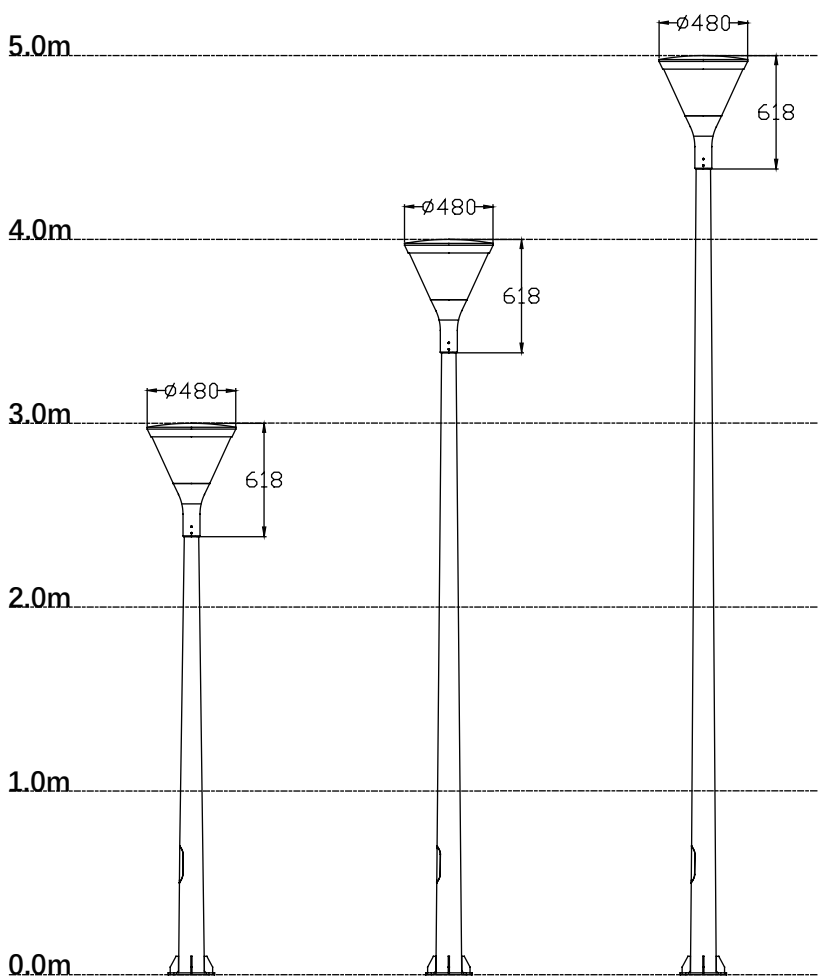


Rated power	30W~60W	Power Factor	> 0.9
LED Quantity	30-60pcs	Life	> 50000H
Color Temperature	6000k/4000k/3000k	THD	< 15%
Luminous Flux	2700lm~5400lm	Frequency Range	50/60HZ
Input Voltage	AC220~240V	Installation Pipe Diameter	/
Protection Grade	IP65	CRI	> 90
Operating Temperature	-30~50°C		

DM-DT16a

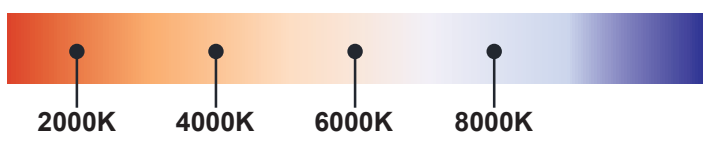
Standard colours





DM-DT17a

Colo(u)r temperature

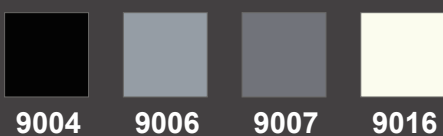




Rated power	30W~60W	Power Factor	> 0.9
LED Quantity	30-60pcs	Life	> 50000H
Color Temperature	6000k/4000k/3000k	THD	< 15%
Luminous Flux	2700lm~5400lm	Frequency Range	50/60HZ
Input Voltage	AC220~240V	Installation Pipe Diameter	/
Protection Grade	IP65	CRI	> 90
Operating Temperature	-30~50°C		

DM-DT17a

Standard colours



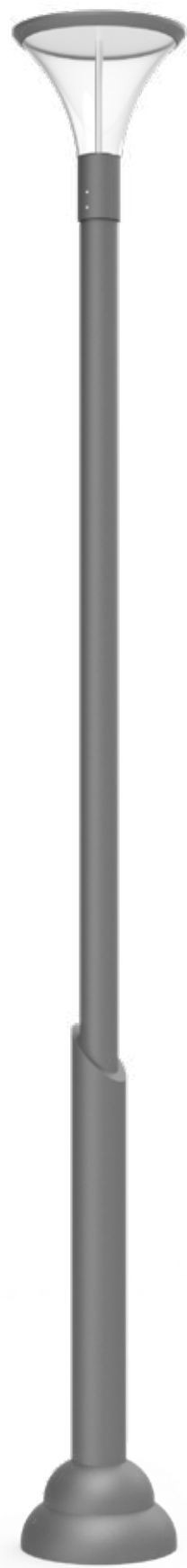
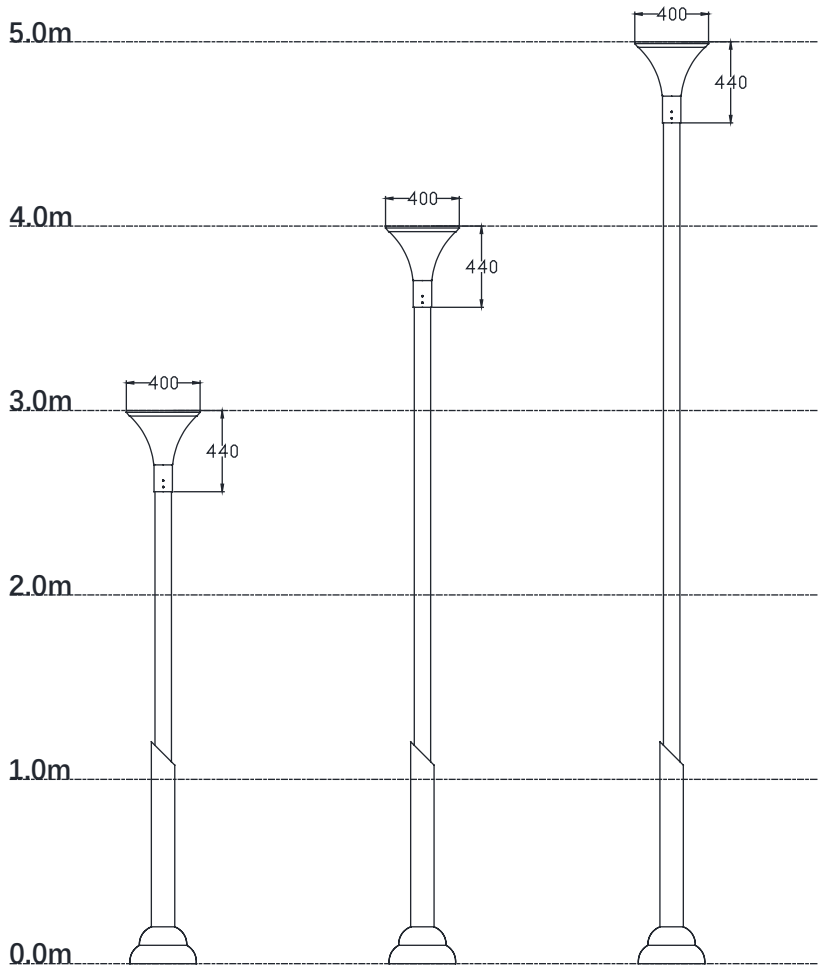
9004

9006

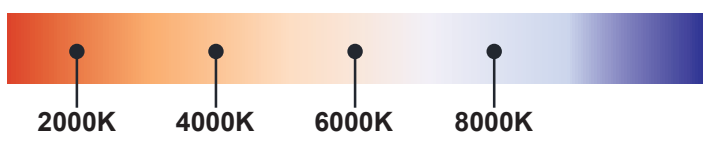
9007

9016

DM-DT18a



Colo(u)r temperature

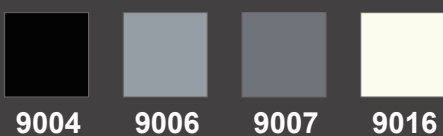


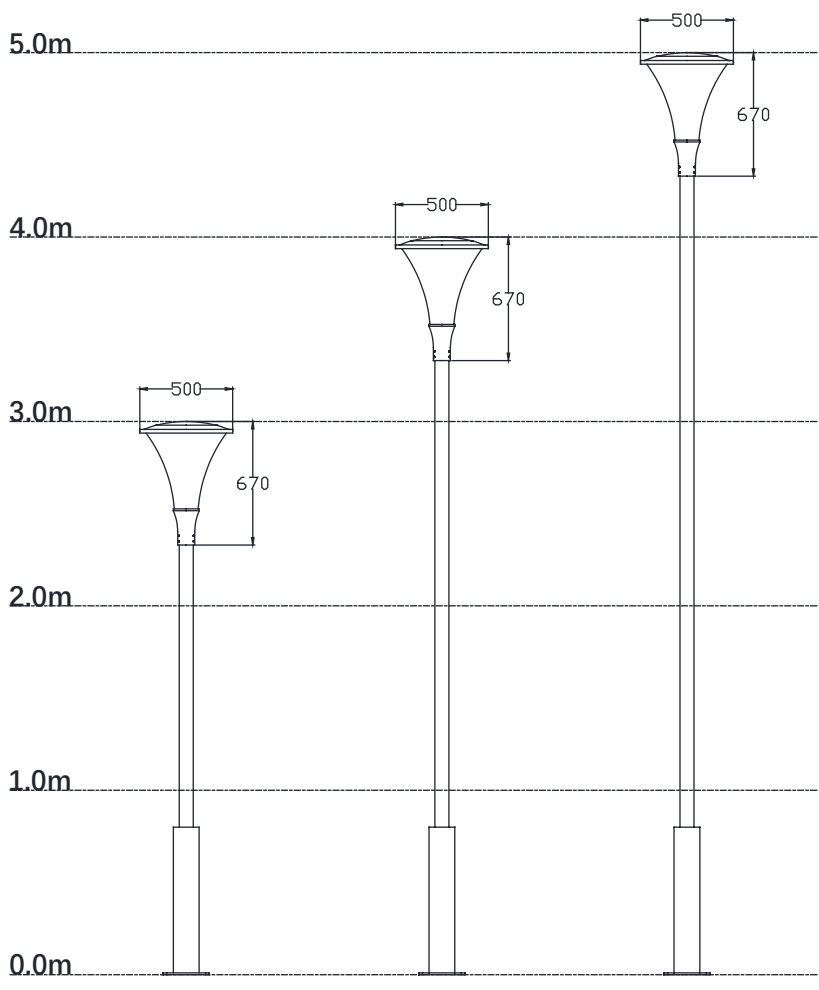
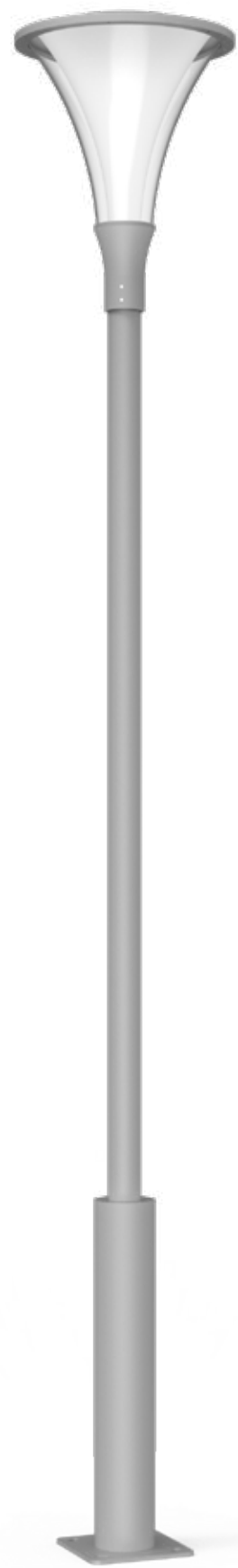


Rated power	30W~60W	Power Factor	> 0.9
LED Quantity	30-60pcs	Life	> 50000H
Color Temperature	6000k/4000k/3000k	THD	< 15%
Luminous Flux	2700lm~5400lm	Frequency Range	50/60HZ
Input Voltage	AC220~240V	Installation Pipe Diameter	/
Protection Grade	IP65	CRI	> 90
Operating Temperature	-30~50°C		

DM-DT18a

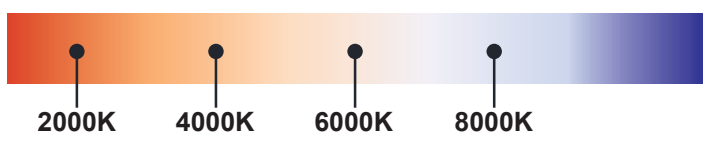
Standard colours





DM-DT19a

Colo(u)r temperature





Rated power	30W~60W	Power Factor	> 0.9
LED Quantity	30-60pcs	Life	> 50000H
Color Temperature	6000k/4000k/3000k	THD	< 15%
Luminous Flux	2700lm~5400lm	Frequency Range	50/60HZ
Input Voltage	AC220~240V	Installation Pipe Diameter	/
Protection Grade	IP65	CRI	> 90
Operating Temperature	-30~50°C		

DM-DT19a

Standard colours



9004



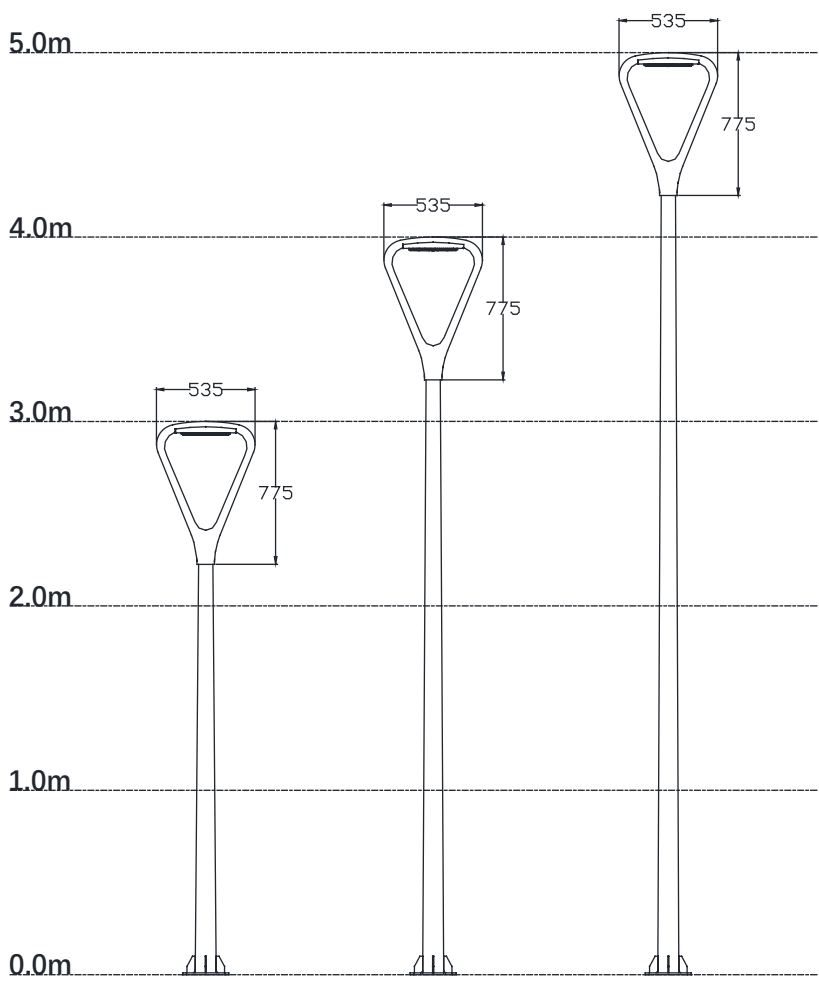
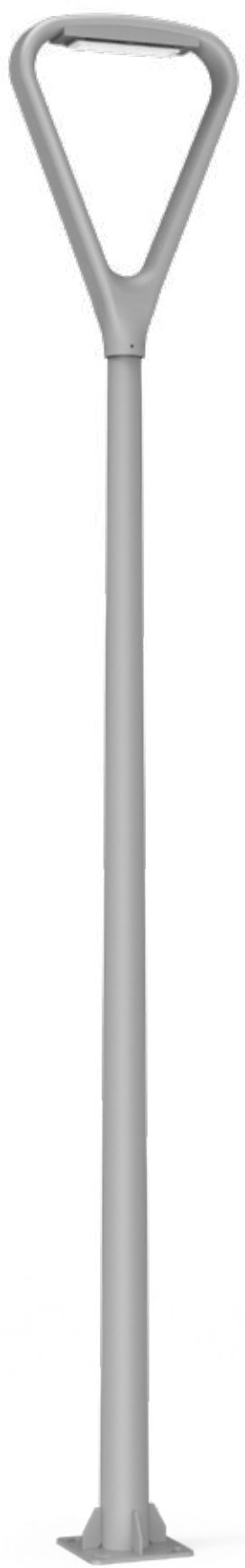
9006



9007

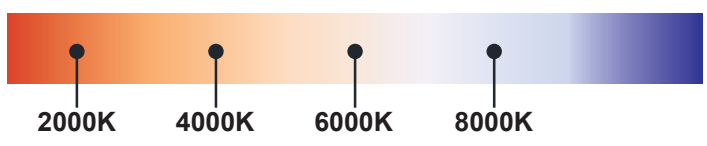


9016



DM-DT20a

Colo(u)r temperature

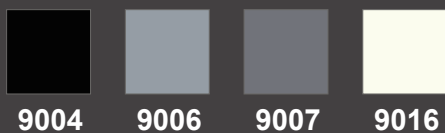




Rated power	30W~60W	Power Factor	> 0.9
LED Quantity	30-60pcs	Life	> 50000H
Color Temperature	6000k/4000k/3000k	THD	< 15%
Luminous Flux	2700lm~5400lm	Frequency Range	50/60HZ
Input Voltage	AC220~240V	Installation Pipe Diameter	/
Protection Grade	IP65	CRI	> 90
Operating Temperature	-30~50°C		

DM-DT20a

Standard colours

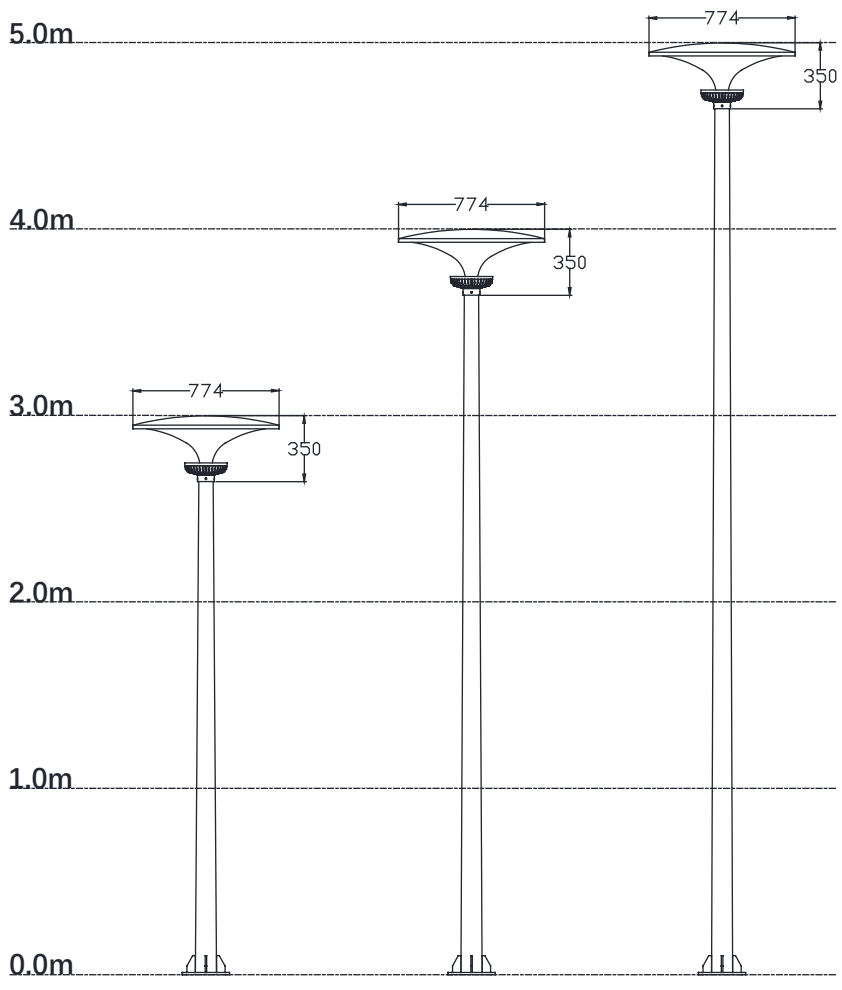


9004

9006

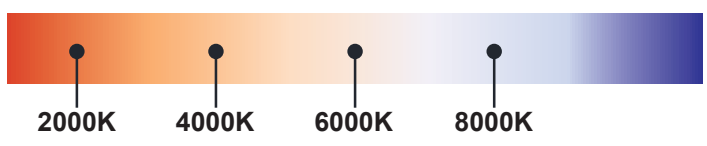
9007

9016



DM-DT21a

Colo(u)r temperature

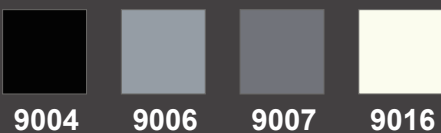


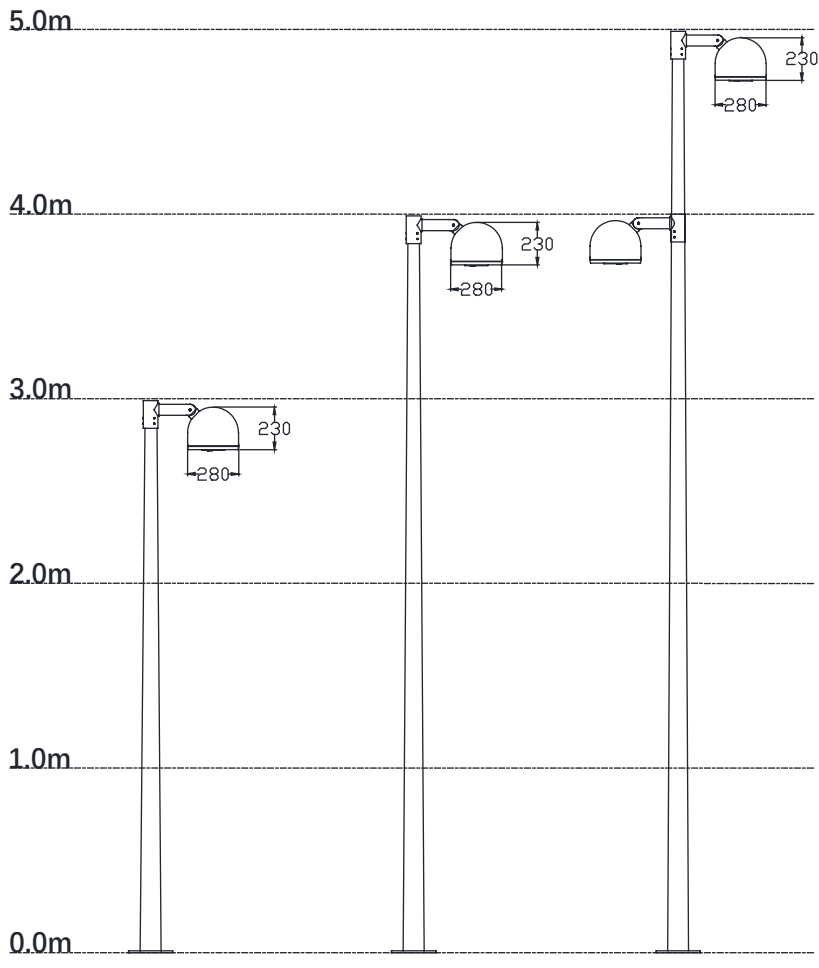


Rated power	30W~60W	Power Factor	> 0.9
LED Quantity	30-60pcs	Life	> 50000H
Color Temperature	6000k/4000k/3000k	THD	< 15%
Luminous Flux	2700lm~5400lm	Frequency Range	50/60HZ
Input Voltage	AC220~240V	Installation Pipe Diameter	/
Protection Grade	IP65	CRI	> 90
Operating Temperature	-30~50°C		

DM-DT21a

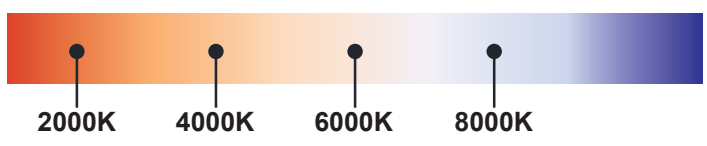
Standard colours





DM-DT22a

Colo(u)r temperature



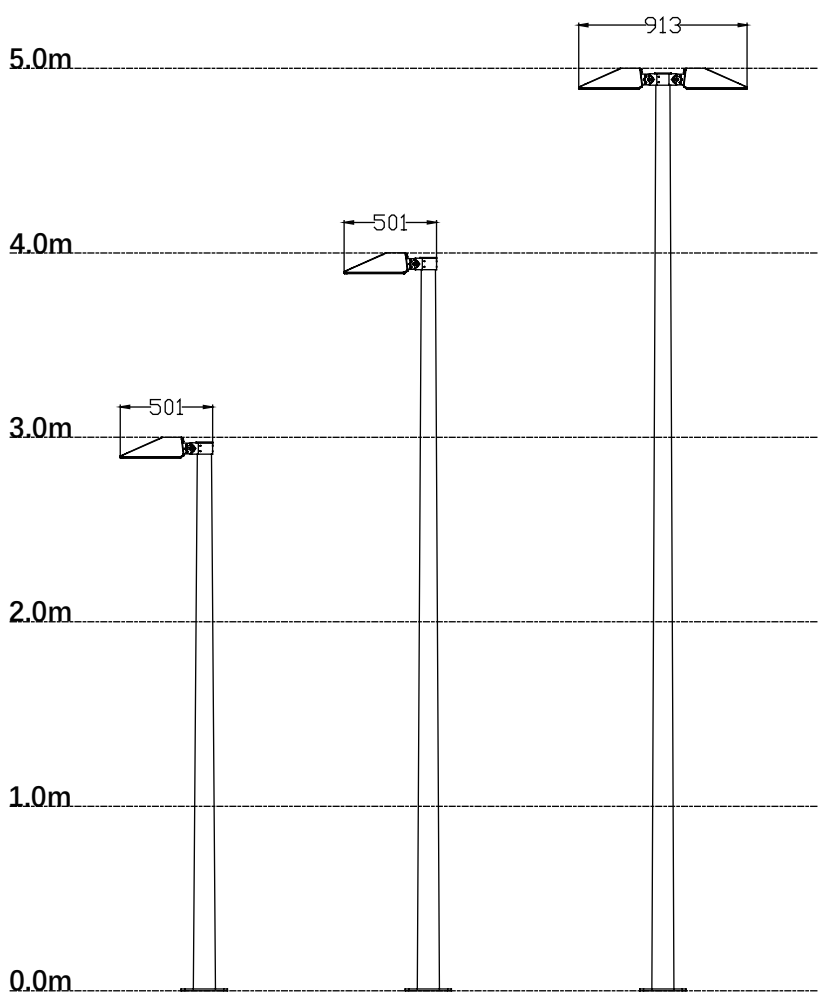
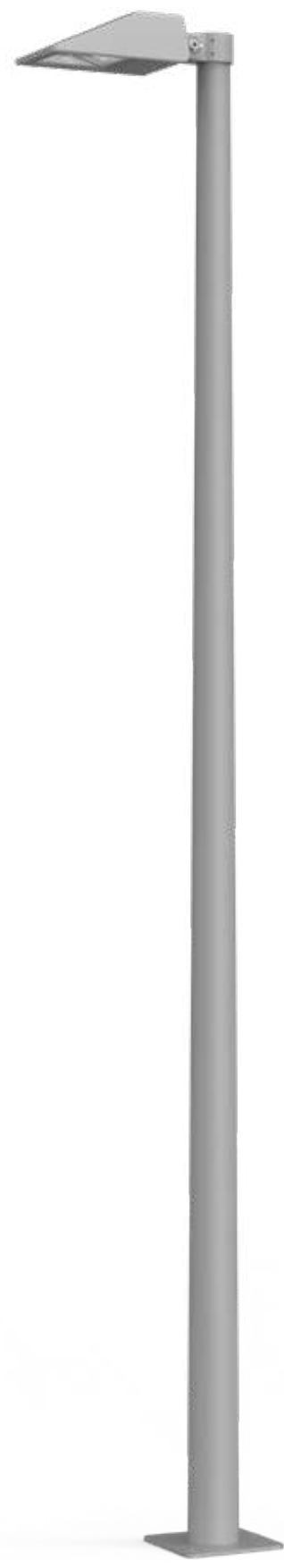


Rated power	30W~60W	Power Factor	> 0.9
LED Quantity	30-60pcs	Life	> 50000H
Color Temperature	6000k/4000k/3000k	THD	< 15%
Luminous Flux	2700lm~5400lm	Frequency Range	50/60HZ
Input Voltage	AC220~240V	Installation Pipe Diameter	/
Protection Grade	IP65	CRI	> 90
Operating Temperature	-30~50°C		

DM-DT22a

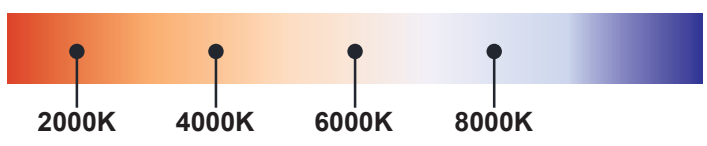
Standard colours





DM-DT23a

Colo(u)r temperature

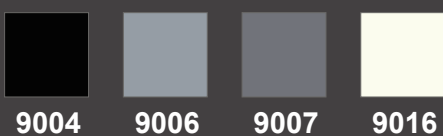


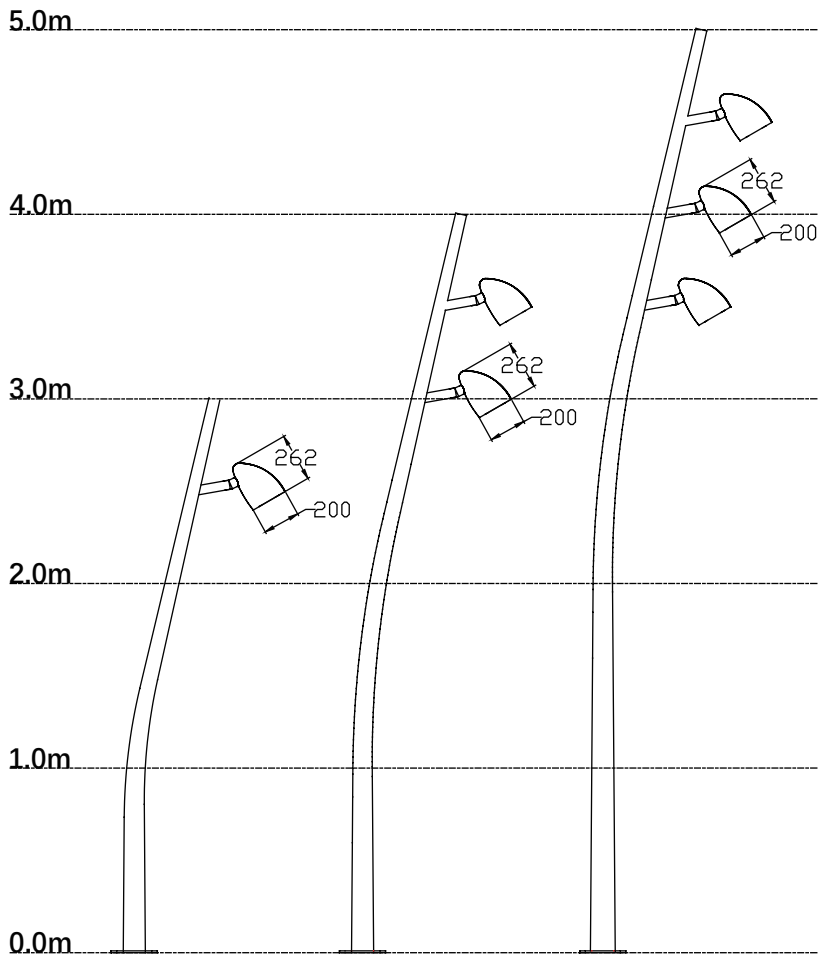


Rated power	30W~60W	Power Factor	> 0.9
LED Quantity	30-60pcs	Life	> 50000H
Color Temperature	6000k/4000k/3000k	THD	< 15%
Luminous Flux	2700lm~5400lm	Frequency Range	50/60HZ
Input Voltage	AC220~240V	Installation Pipe Diameter	/
Protection Grade	IP65	CRI	> 90
Operating Temperature	-30~50°C		

DM-DT23a

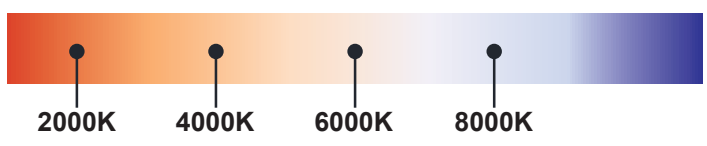
Standard colours





DM-DT24a

Colo(u)r temperature

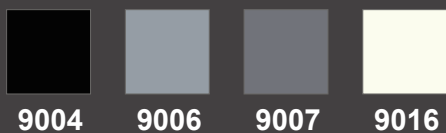


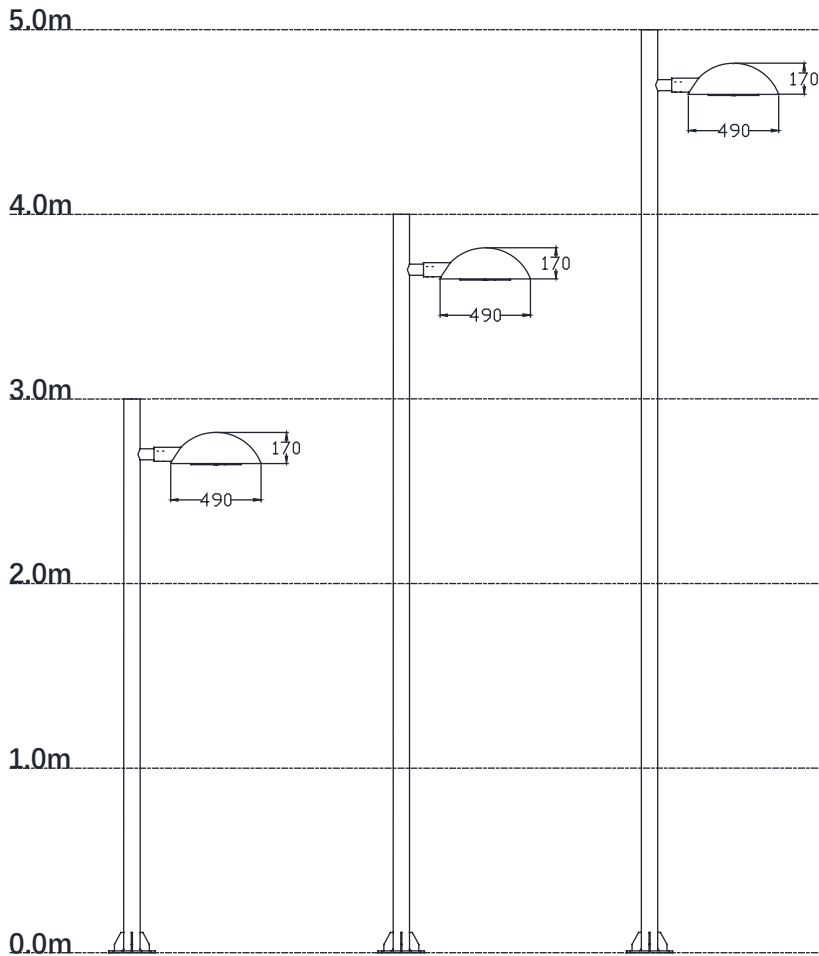


Rated power	30W~60W	Power Factor	> 0.9
LED Quantity	30-60pcs	Life	> 50000H
Color Temperature	6000k/4000k/3000k	THD	< 15%
Luminous Flux	2700lm~5400lm	Frequency Range	50/60HZ
Input Voltage	AC220~240V	Installation Pipe Diameter	/
Protection Grade	IP65	CRI	> 90
Operating Temperature	-30~50°C		

DM-DT24a

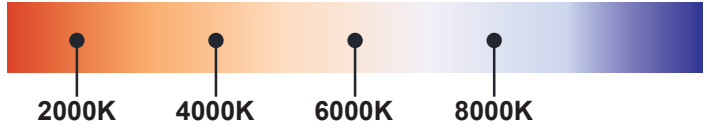
Standard colours





DM-DT25a

Colo(u)r temperature





Rated power	30W~60W	Power Factor	> 0.9
LED Quantity	30-60pcs	Life	> 50000H
Color Temperature	6000k/4000k/3000k	THD	< 15%
Luminous Flux	2700lm~5400lm	Frequency Range	50/60HZ
Input Voltage	AC220~240V	Installation Pipe Diameter	/
Protection Grade	IP65	CRI	> 90
Operating Temperature	-30~50°C		

DM-DT25a

Standard colours



9004



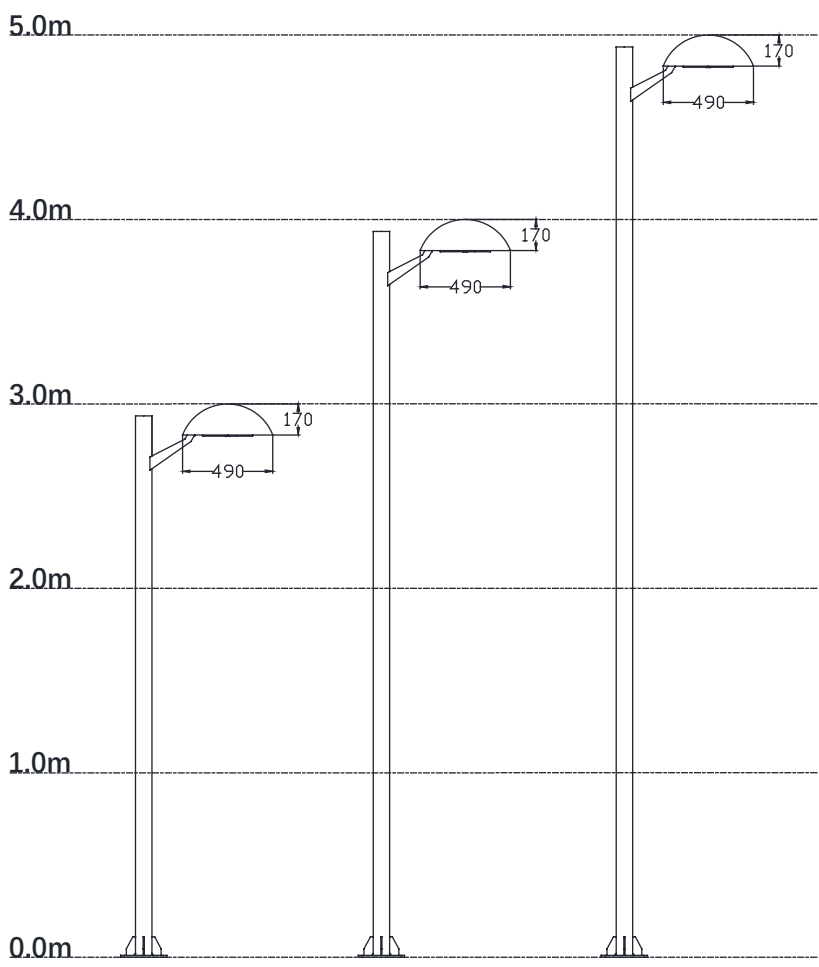
9006



9007

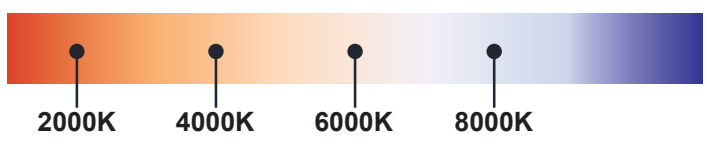


9016



DM-DT26a

Colo(u)r temperature

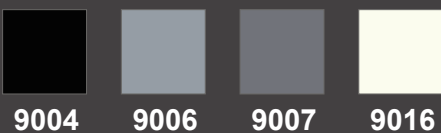


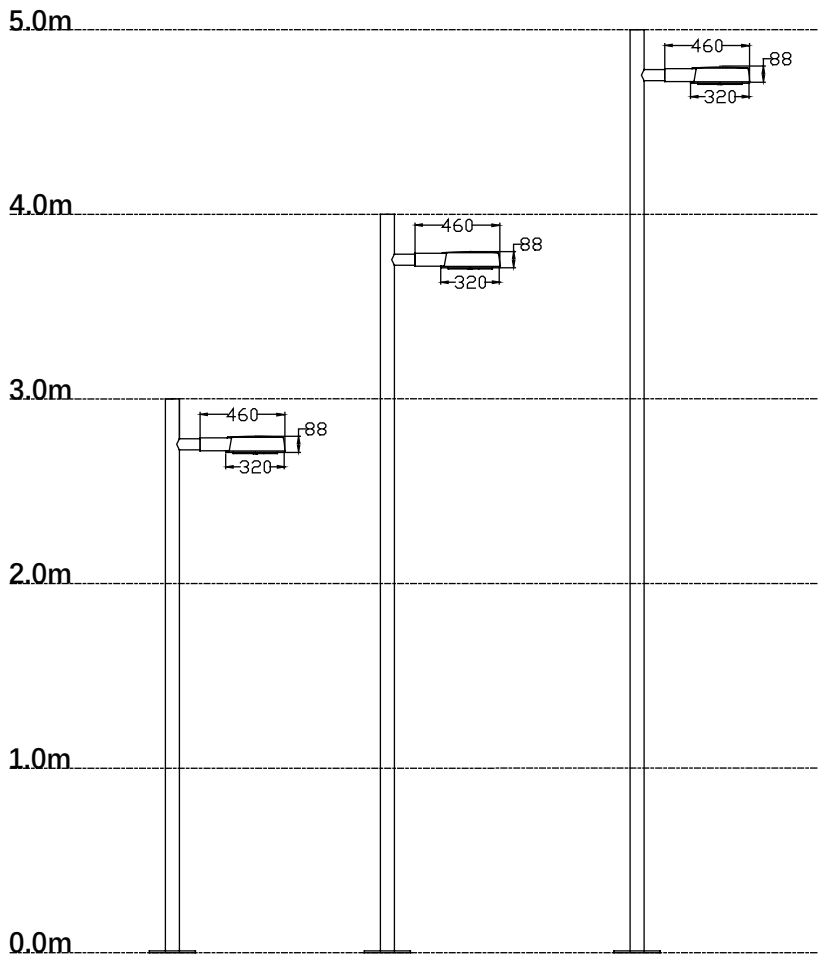


Rated power	30W~60W	Power Factor	> 0.9
LED Quantity	30-60pcs	Life	> 50000H
Color Temperature	6000k/4000k/3000k	THD	< 15%
Luminous Flux	2700lm~5400lm	Frequency Range	50/60HZ
Input Voltage	AC220~240V	Installation Pipe Diameter	/
Protection Grade	IP65	CRI	> 90
Operating Temperature	-30~50°C		

DM-DT26a

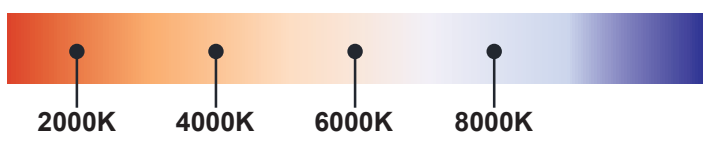
Standard colours

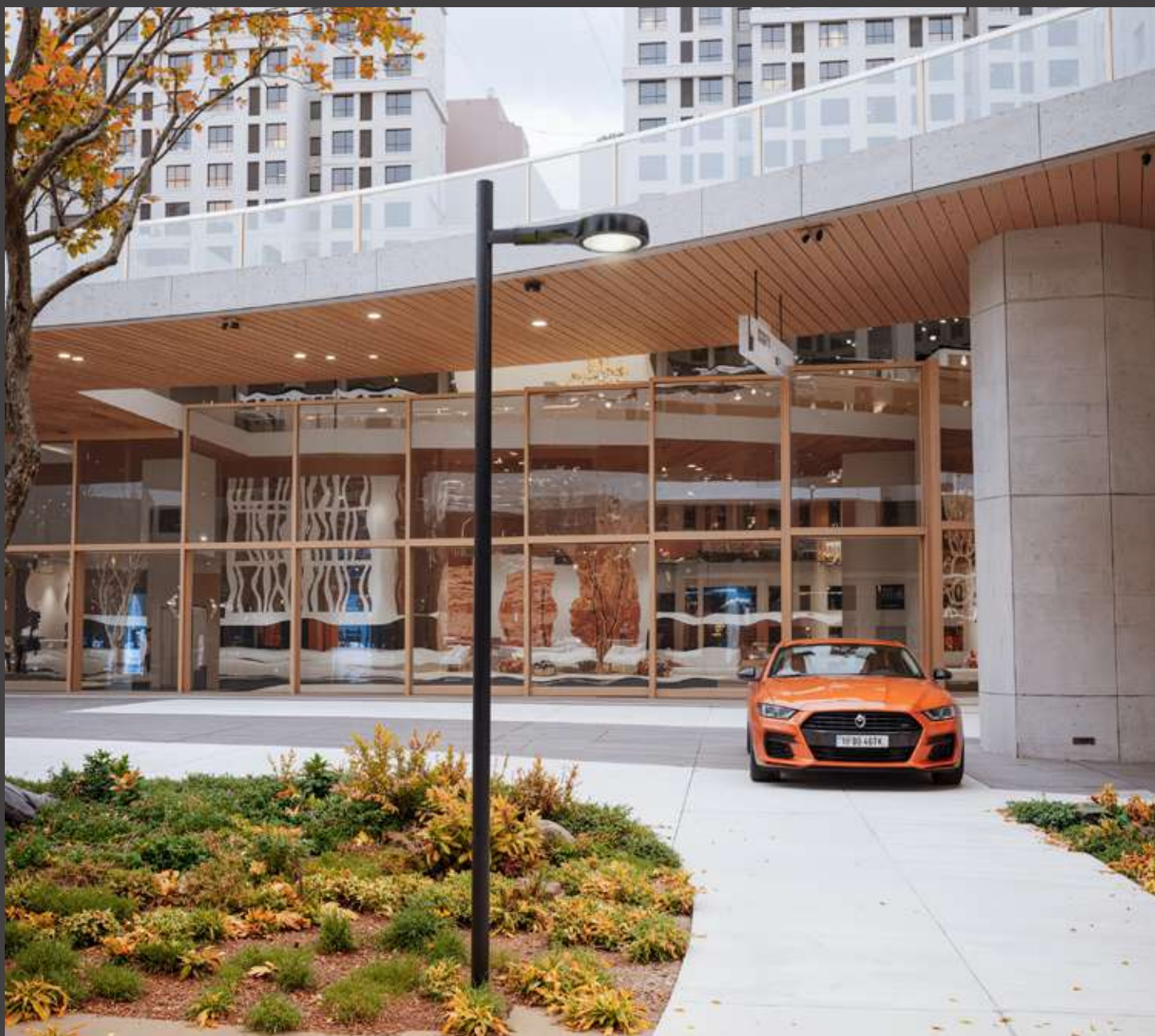




DM-DT27a

Colo(u)r temperature

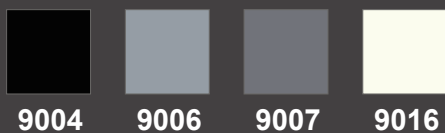


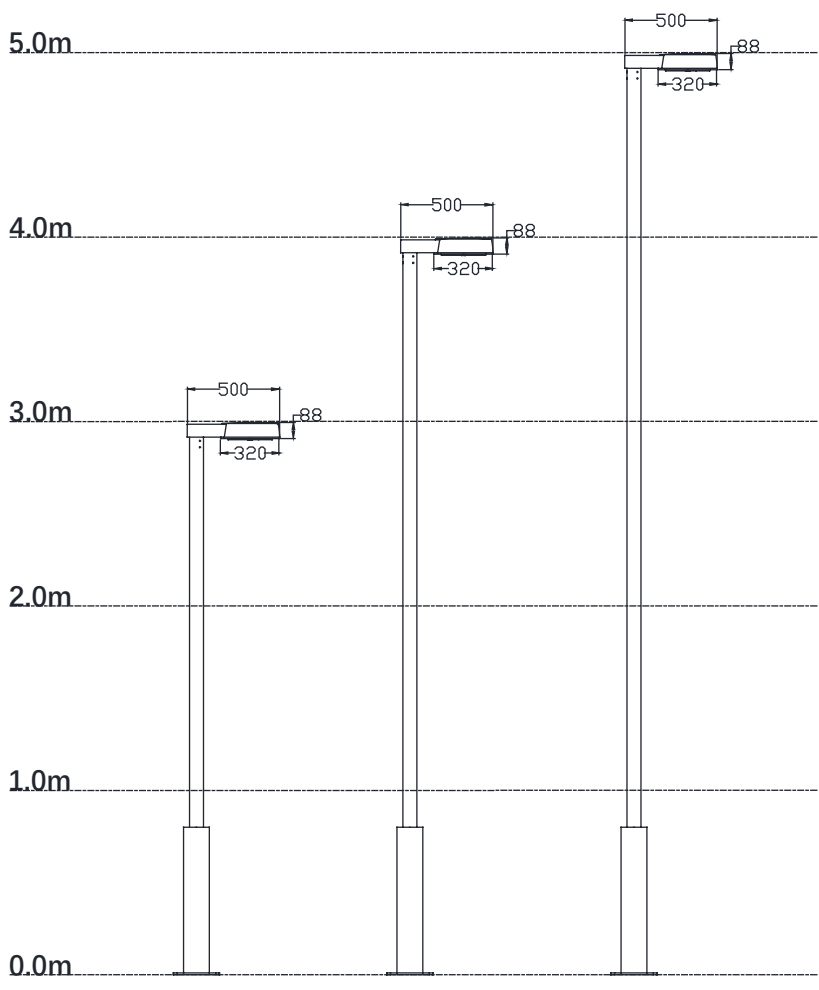


Rated power	30W~60W	Power Factor	> 0.9
LED Quantity	30-60pcs	Life	> 50000H
Color Temperature	6000k/4000k/3000k	THD	< 15%
Luminous Flux	2700lm~5400lm	Frequency Range	50/60HZ
Input Voltage	AC220~240V	Installation Pipe Diameter	/
Protection Grade	IP65	CRI	> 90
Operating Temperature	-30~50°C		

DM-DT27a

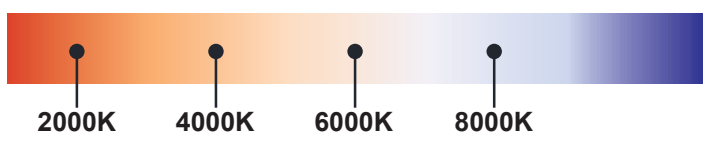
Standard colours





DM-DT28a

Colo(u)r temperature

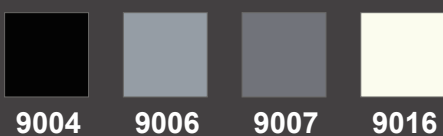


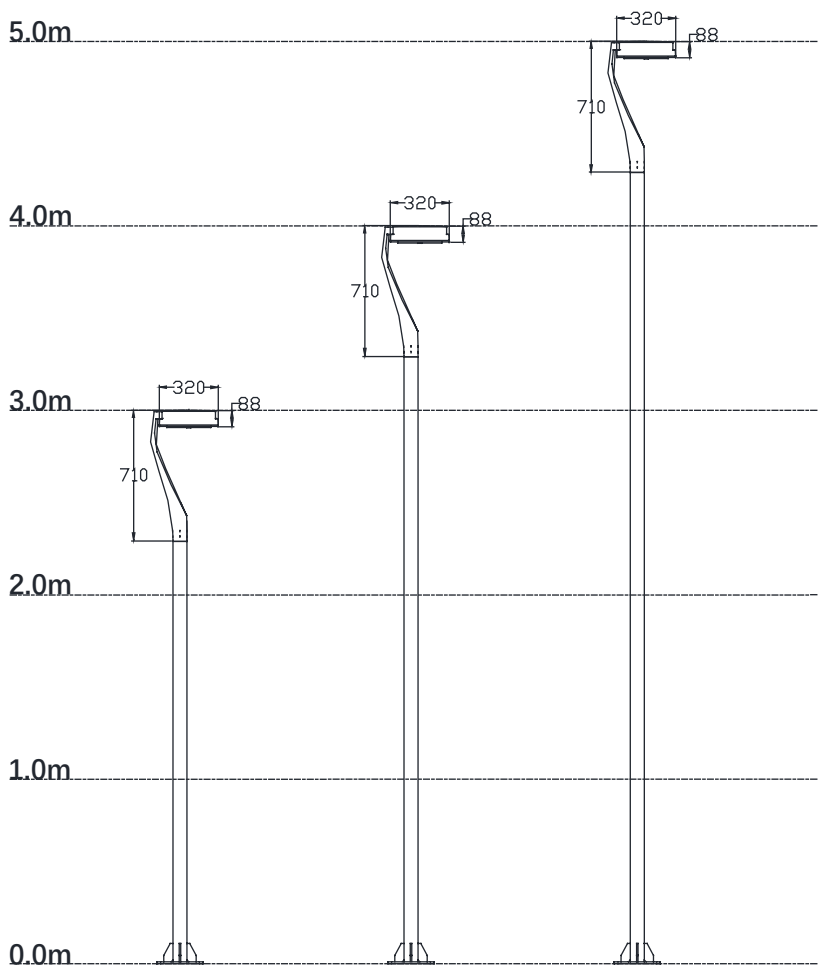
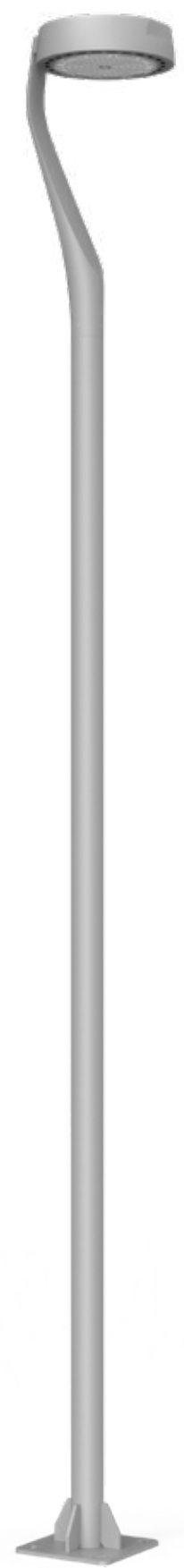


Rated power	30W~60W	Power Factor	> 0.9
LED Quantity	30-60pcs	Life	> 50000H
Color Temperature	6000k/4000k/3000k	THD	< 15%
Luminous Flux	2700lm~5400lm	Frequency Range	50/60HZ
Input Voltage	AC220~240V	Installation Pipe Diameter	/
Protection Grade	IP65	CRI	> 90
Operating Temperature	-30~50°C		

DM-DT28a

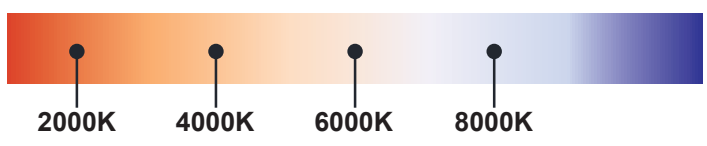
Standard colours





DM-DT29a

Colo(u)r temperature

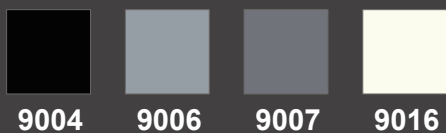




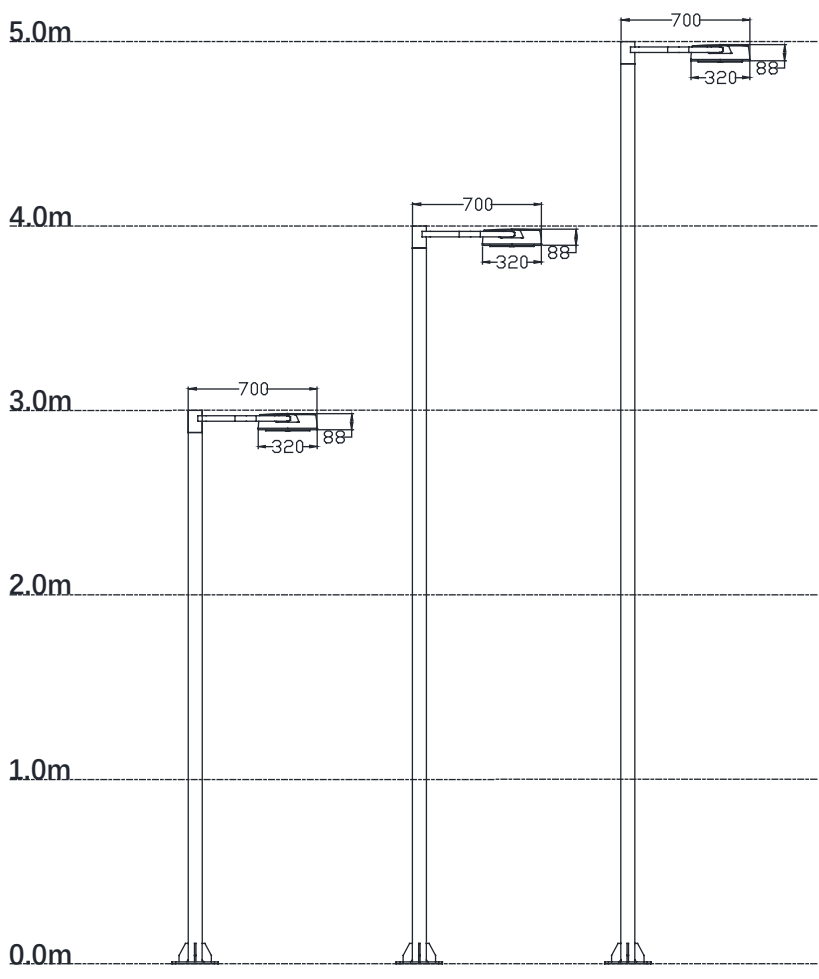
Rated power	30W~60W	Power Factor	> 0.9
LED Quantity	30-60pcs	Life	> 50000H
Color Temperature	6000k/4000k/3000k	THD	< 15%
Luminous Flux	2700lm~5400lm	Frequency Range	50/60HZ
Input Voltage	AC220~240V	Installation Pipe Diameter	/
Protection Grade	IP65	CRI	> 90
Operating Temperature	-30~50°C		

DM-DT29a

Standard colours

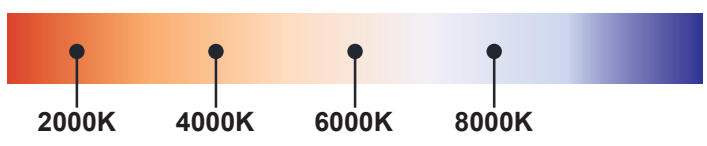


A60



DM-DT30a

Colo(u)r temperature

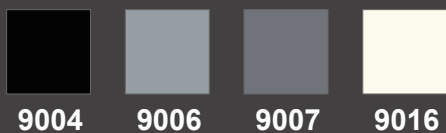




Rated power	30W~60W	Power Factor	> 0.9
LED Quantity	30-60pcs	Life	> 50000H
Color Temperature	6000k/4000k/3000k	THD	< 15%
Luminous Flux	2700lm~5400lm	Frequency Range	50/60HZ
Input Voltage	AC220~240V	Installation Pipe Diameter	/
Protection Grade	IP65	CRI	> 90
Operating Temperature	-30~50°C		

DM-DT30a

Standard colours

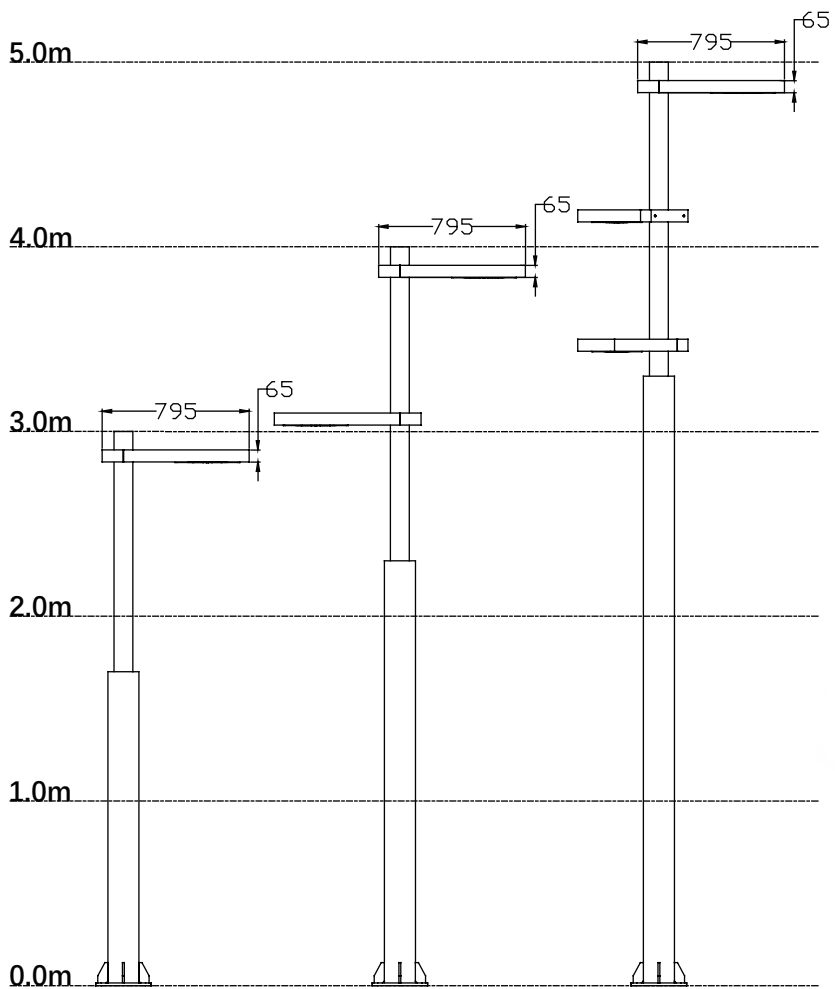


9004

9006

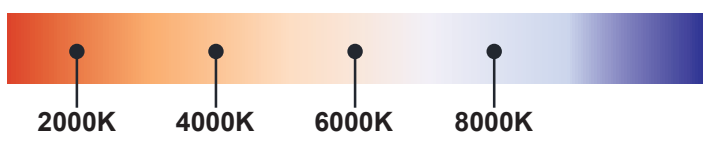
9007

9016



DM-DT31a

Colo(u)r temperature

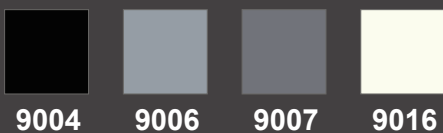


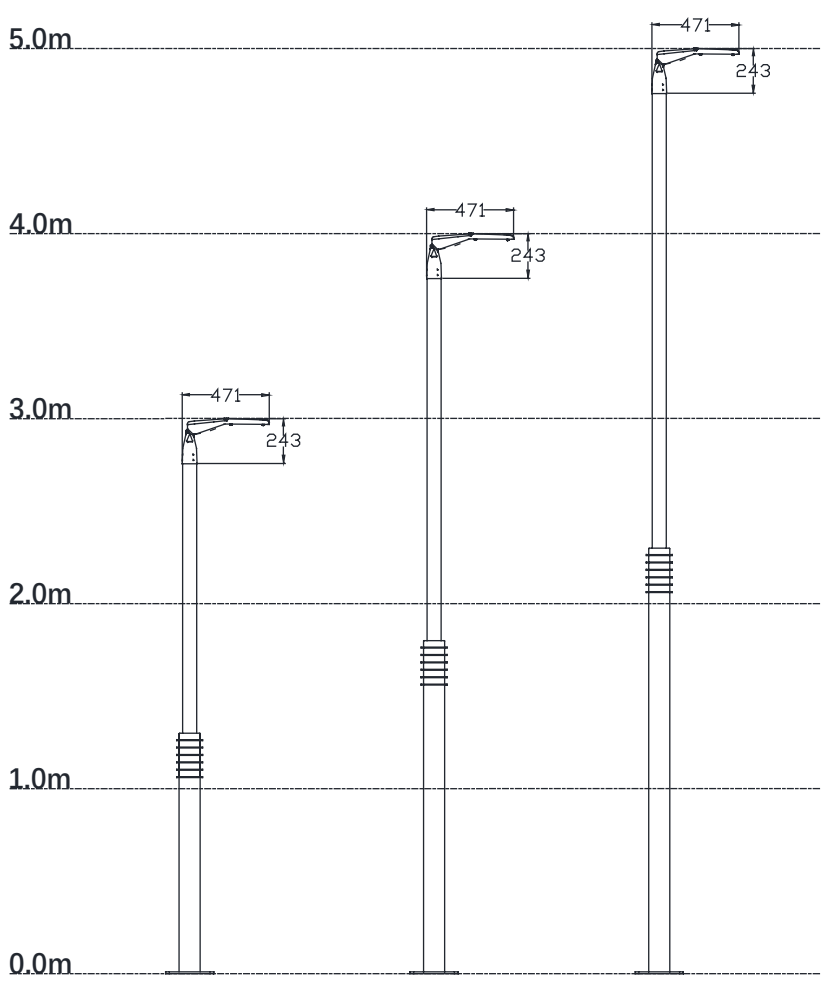
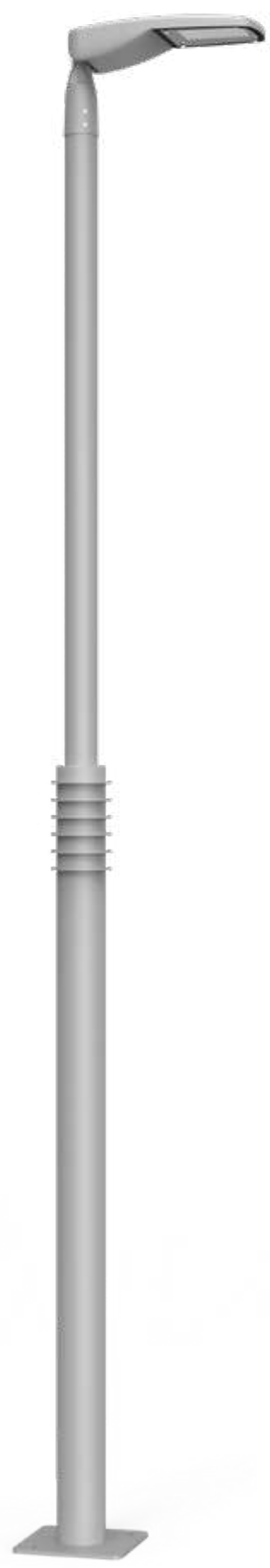


Rated power	30W~60W	Power Factor	> 0.9
LED Quantity	30-60pcs	Life	> 50000H
Color Temperature	6000k/4000k/3000k	THD	< 15%
Luminous Flux	2700lm~5400lm	Frequency Range	50/60HZ
Input Voltage	AC220~240V	Installation Pipe Diameter	/
Protection Grade	IP65	CRI	> 90
Operating Temperature	-30~50°C		

DM-DT31a

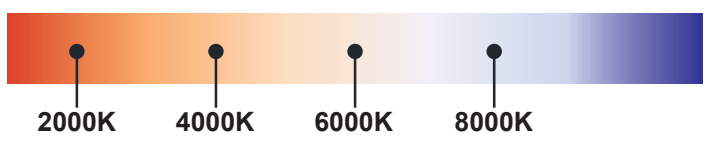
Standard colours





DM-DT32a

Colo(u)r temperature





Rated power	30W~60W	Power Factor	> 0.9
LED Quantity	30-60pcs	Life	> 50000H
Color Temperature	6000k/4000k/3000k	THD	< 15%
Luminous Flux	2700lm~5400lm	Frequency Range	50/60HZ
Input Voltage	AC220~240V	Installation Pipe Diameter	/
Protection Grade	IP65	CRI	> 90
Operating Temperature	-30~50°C		

DM-DT32a

Standard colours



9004



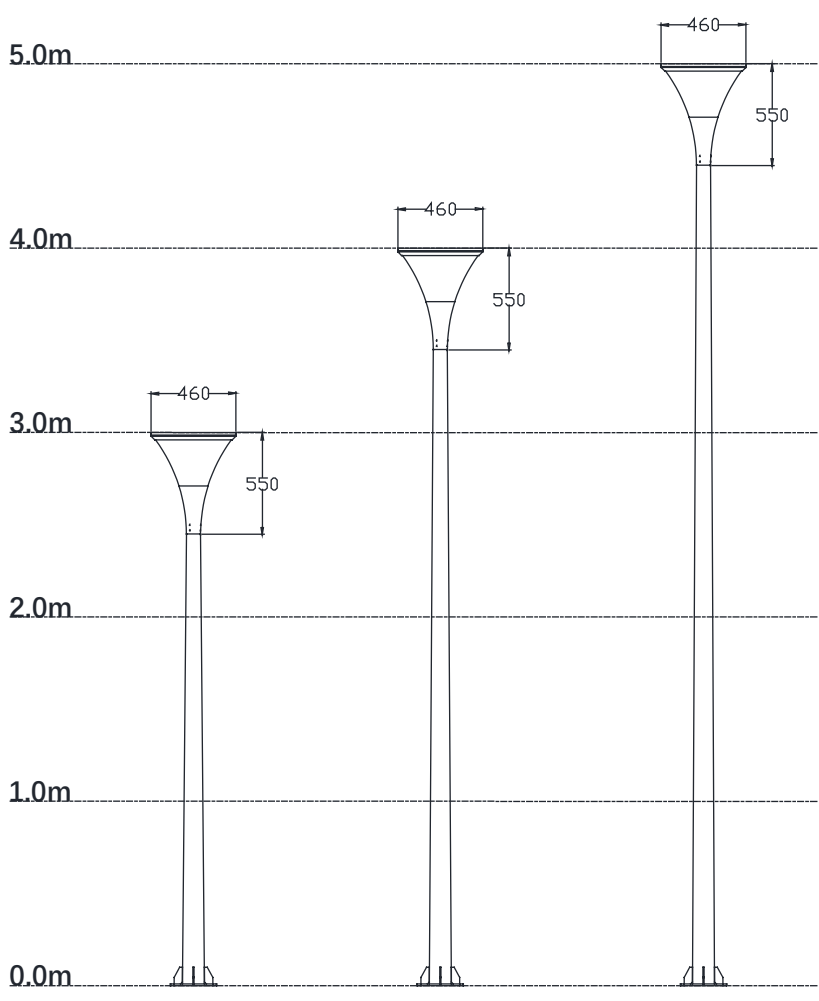
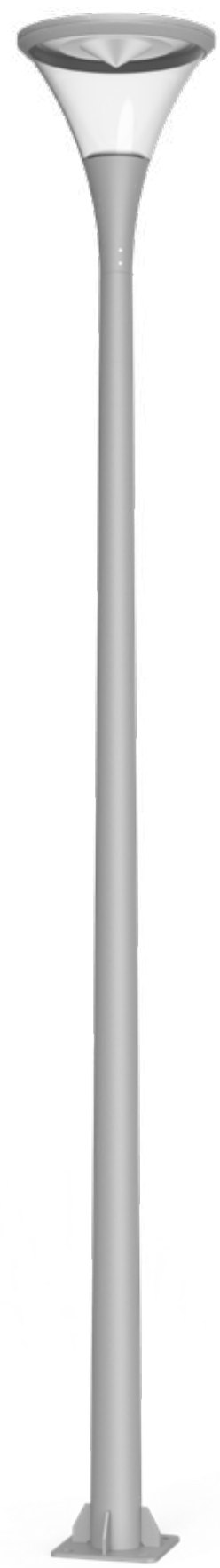
9006



9007

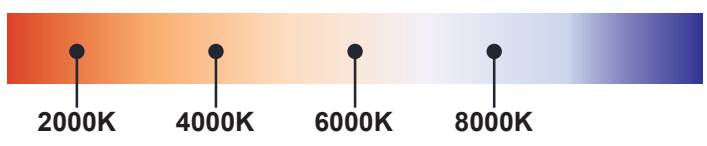


9016



DM-DT33a

Colo(u)r temperature

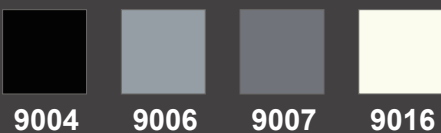


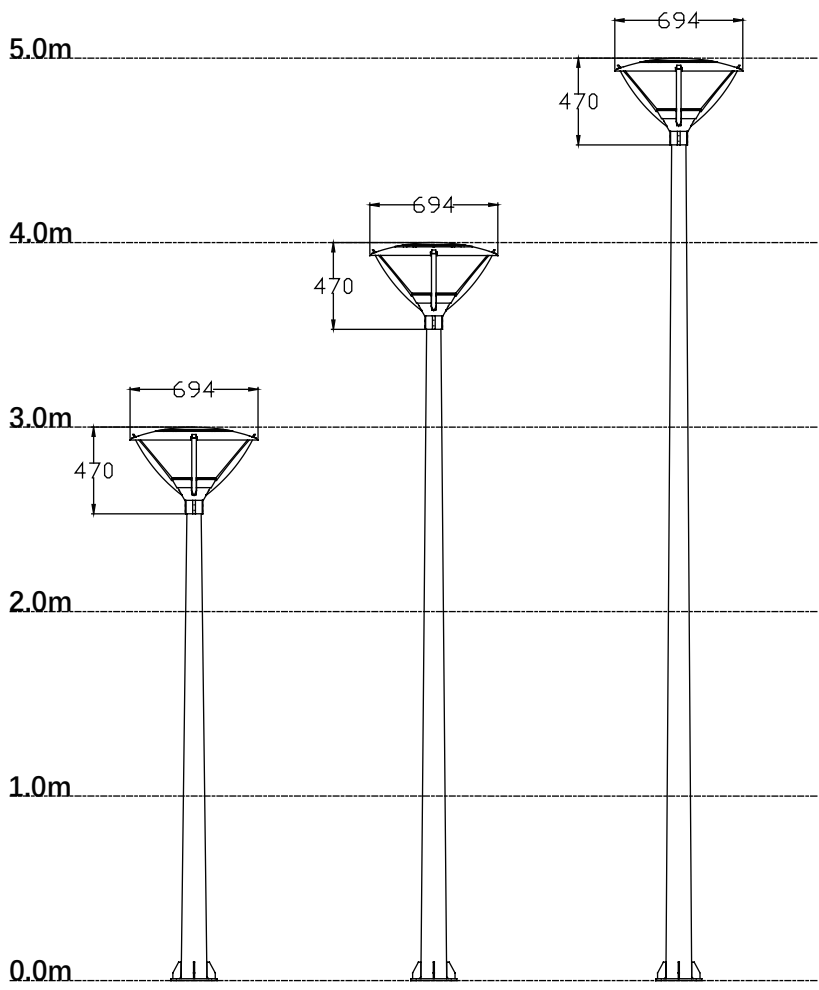
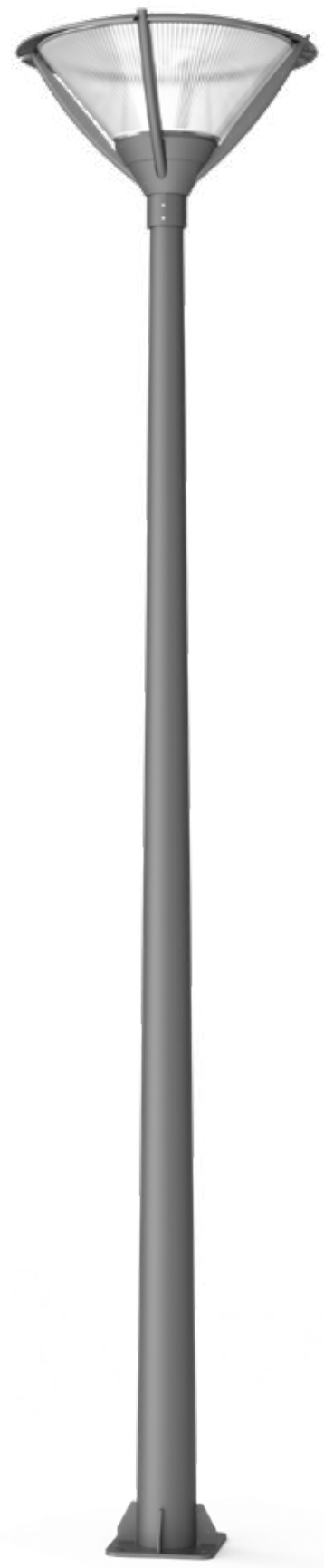


Rated power	30W~60W	Power Factor	> 0.9
LED Quantity	30-60pcs	Life	> 50000H
Color Temperature	6000k/4000k/3000k	THD	< 15%
Luminous Flux	2700lm~5400lm	Frequency Range	50/60HZ
Input Voltage	AC220~240V	Installation Pipe Diameter	/
Protection Grade	IP65	CRI	> 90
Operating Temperature	-30~50°C		

DM-DT33a

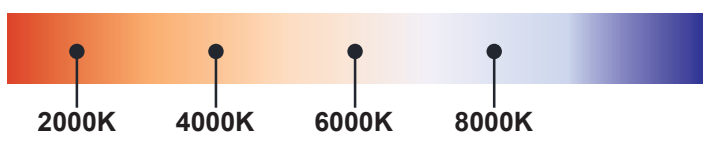
Standard colours





DM-DT34a

Colo(u)r temperature

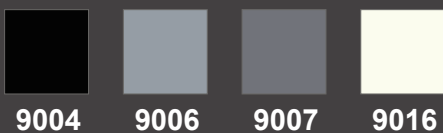




Rated power	30W~60W	Power Factor	> 0.9
LED Quantity	30-60pcs	Life	> 50000H
Color Temperature	6000k/4000k/3000k	THD	< 15%
Luminous Flux	2700lm~5400lm	Frequency Range	50/60HZ
Input Voltage	AC220~240V	Installation Pipe Diameter	/
Protection Grade	IP65	CRI	> 90
Operating Temperature	-30~50°C		

DM-DT34a

Standard colours

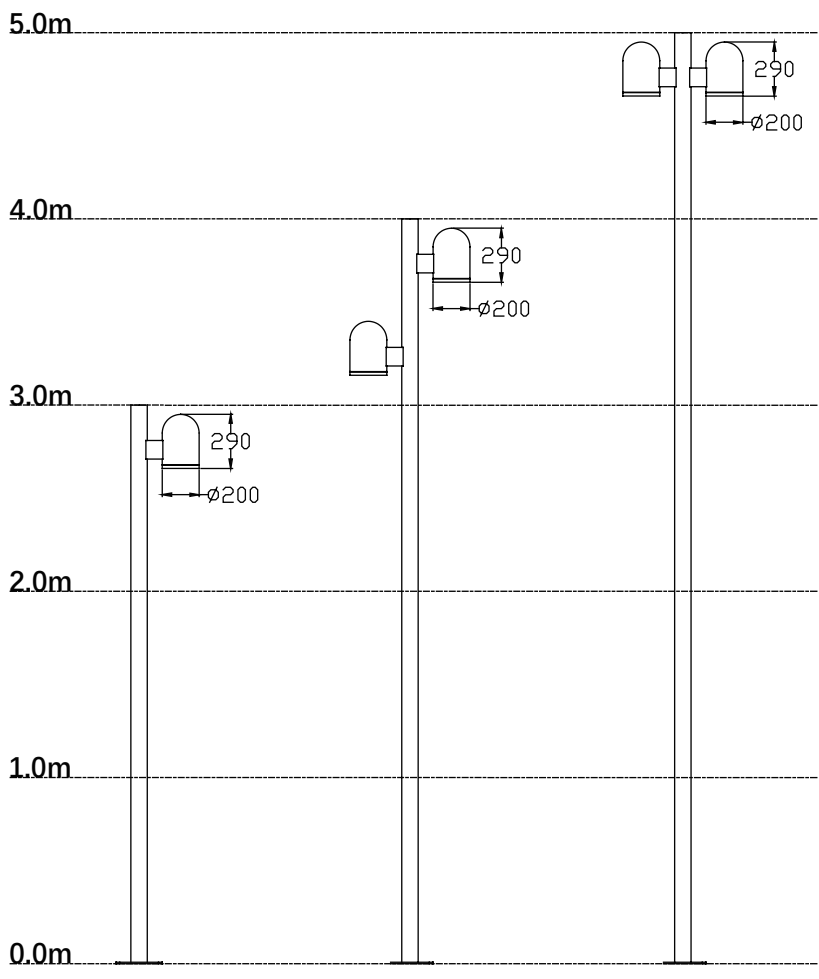
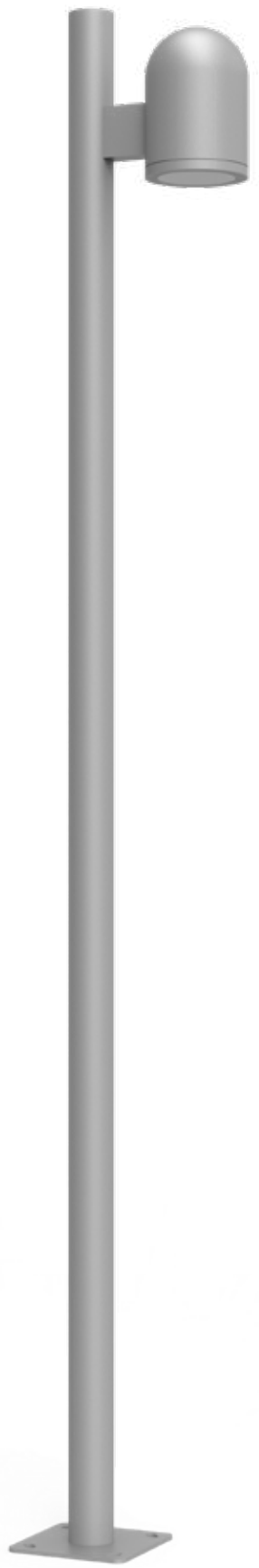


9004

9006

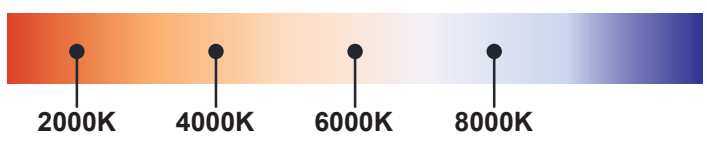
9007

9016



DM-DT35a

Color temperature

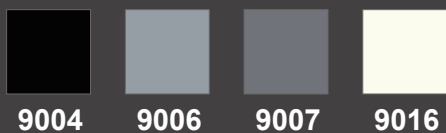




Rated power	30W~60W	Power Factor	> 0.9
LED Quantity	30-60pcs	Life	> 50000H
Color Temperature	6000k/4000k/3000k	THD	< 15%
Luminous Flux	2700lm~5400lm	Frequency Range	50/60HZ
Input Voltage	AC220~240V	Installation Pipe Diameter	/
Protection Grade	IP65	CRI	> 90
Operating Temperature	-30~50°C		

DM-DT35a

Standard colours

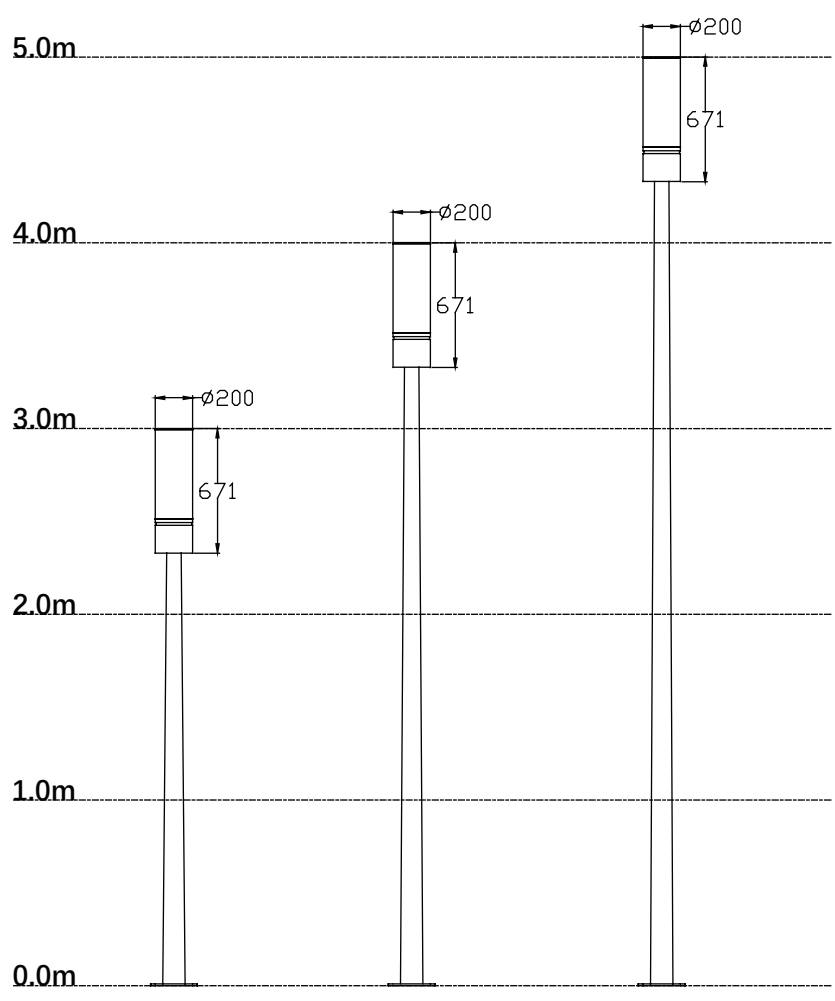


9004

9006

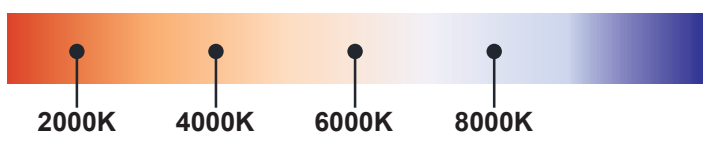
9007

9016



DM-DT36a

Colo(u)r temperature

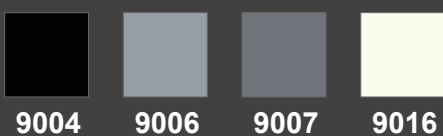




Rated power	30W~60W	Power Factor	> 0.9
LED Quantity	30-60pcs	Life	> 50000H
Color Temperature	6000k/4000k/3000k	THD	< 15%
Luminous Flux	2700lm~5400lm	Frequency Range	50/60HZ
Input Voltage	AC220~240V	Installation Pipe Diameter	/
Protection Grade	IP65	CRI	> 90
Operating Temperature	-30~50°C		

DM-DT36a

Standard colours

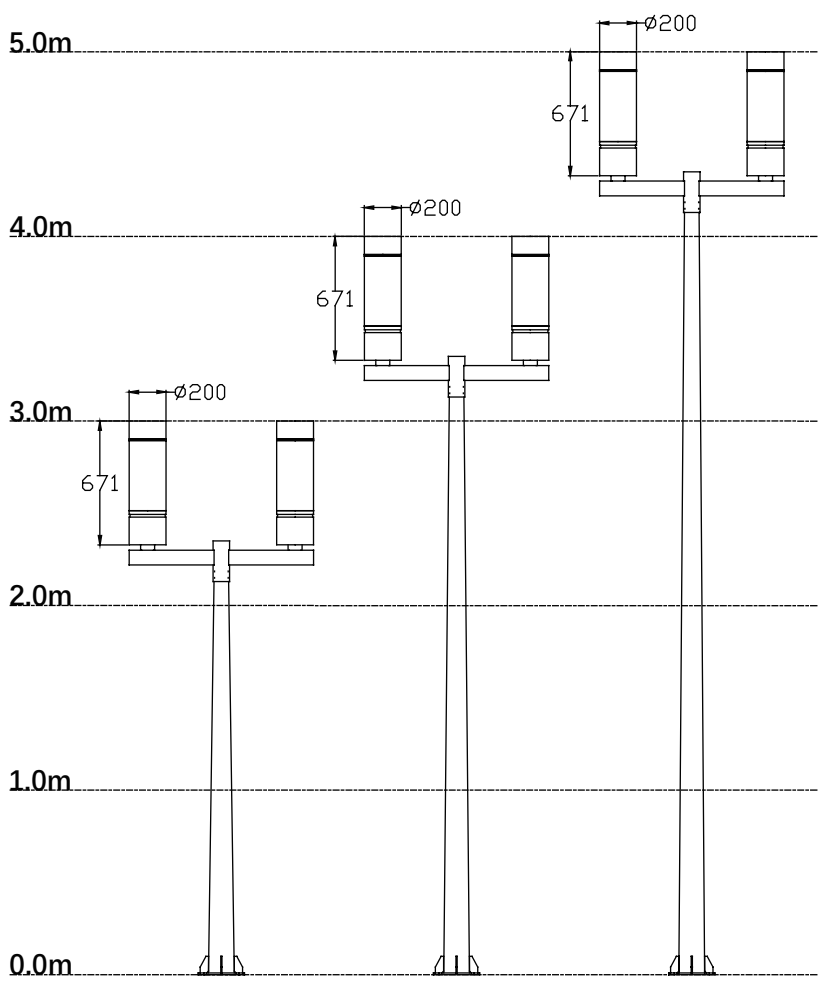


9004

9006

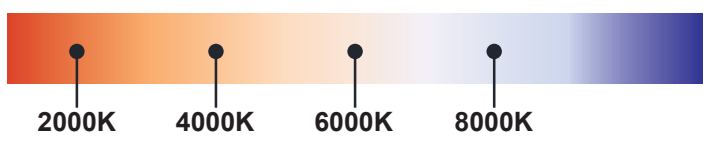
9007

9016



DM-DT37a

Colo(u)r temperature

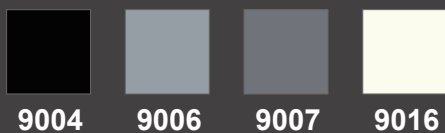




Rated power	30W~60W	Power Factor	> 0.9
LED Quantity	30-60pcs	Life	> 50000H
Color Temperature	6000k/4000k/3000k	THD	< 15%
Luminous Flux	2700lm~5400lm	Frequency Range	50/60HZ
Input Voltage	AC220~240V	Installation Pipe Diameter	/
Protection Grade	IP65	CRI	> 90
Operating Temperature	-30~50°C		

DM-DT37a

Standard colours

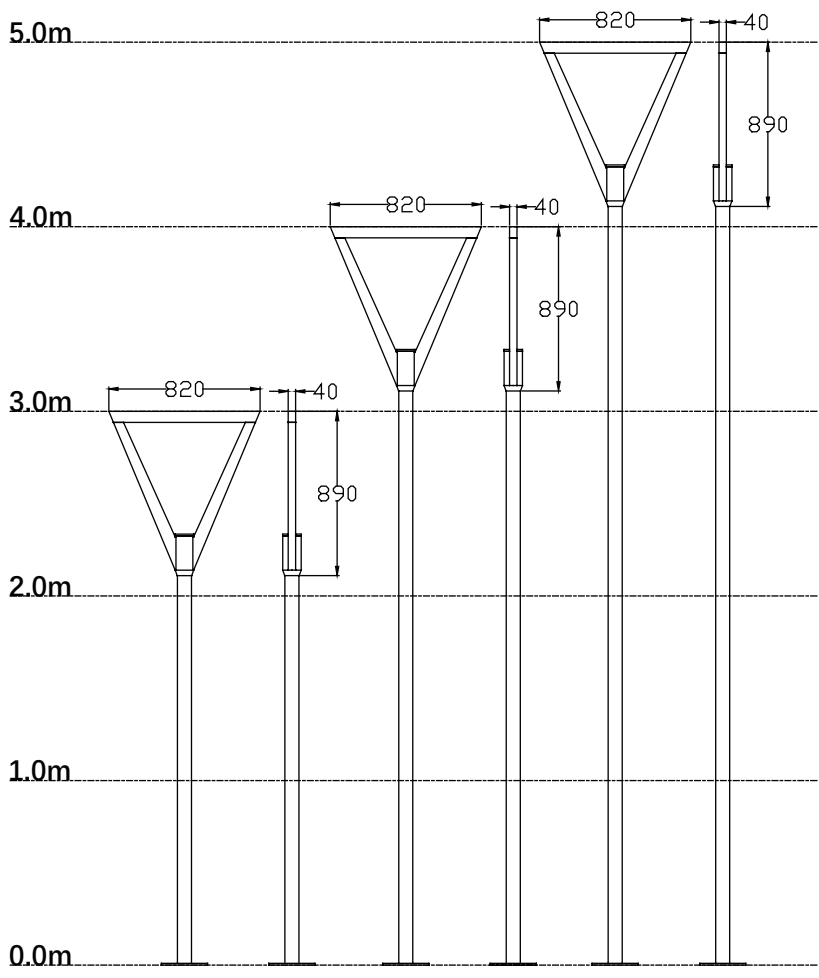


9004

9006

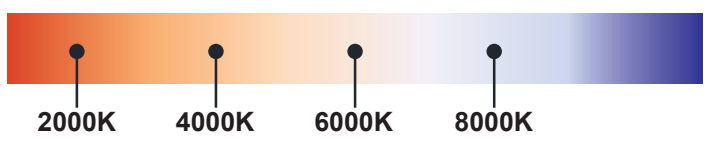
9007

9016



DM-DT38a

Colo(u)r temperature





Rated power	30W~60W	Power Factor	> 0.9
LED Quantity	30-60pcs	Life	> 50000H
Color Temperature	6000k/4000k/3000k	THD	< 15%
Luminous Flux	2700lm~5400lm	Frequency Range	50/60HZ
Input Voltage	AC220~240V	Installation Pipe Diameter	/
Protection Grade	IP65	CRI	> 90
Operating Temperature	-30~50°C		

DM-DT38a

Standard colours



9004



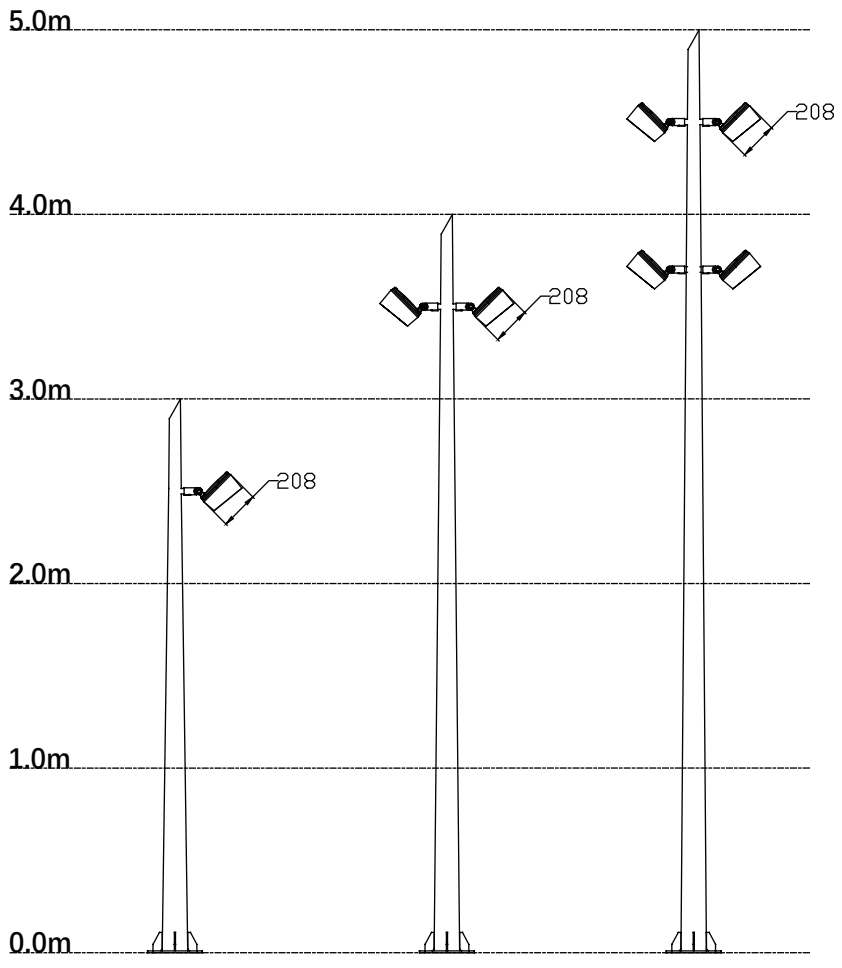
9006



9007

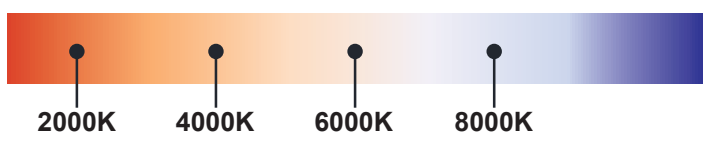


9016



DM-DT39a

Colo(u)r temperature

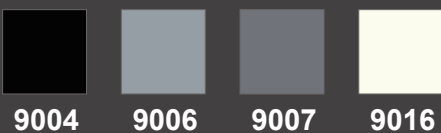




Rated power	30W~60W	Power Factor	> 0.9
LED Quantity	30-60pcs	Life	> 50000H
Color Temperature	6000k/4000k/3000k	THD	< 15%
Luminous Flux	2700lm~5400lm	Frequency Range	50/60HZ
Input Voltage	AC220~240V	Installation Pipe Diameter	/
Protection Grade	IP65	CRI	> 90
Operating Temperature	-30~50°C		

DM-DT39a

Standard colours

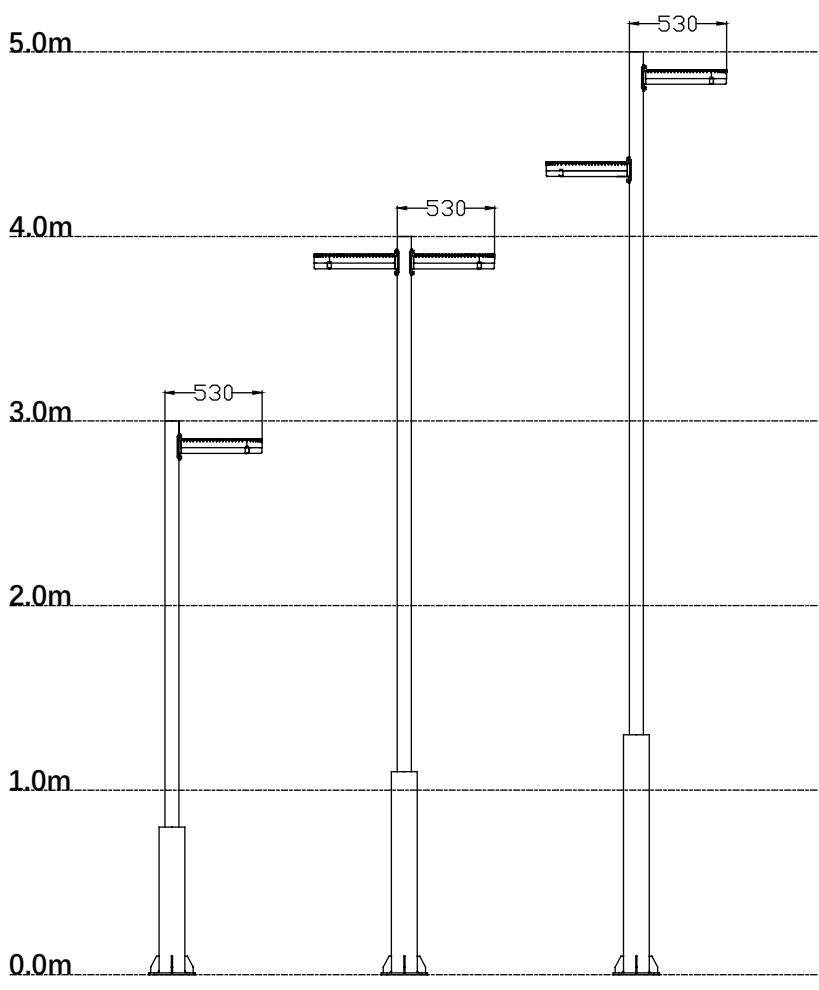
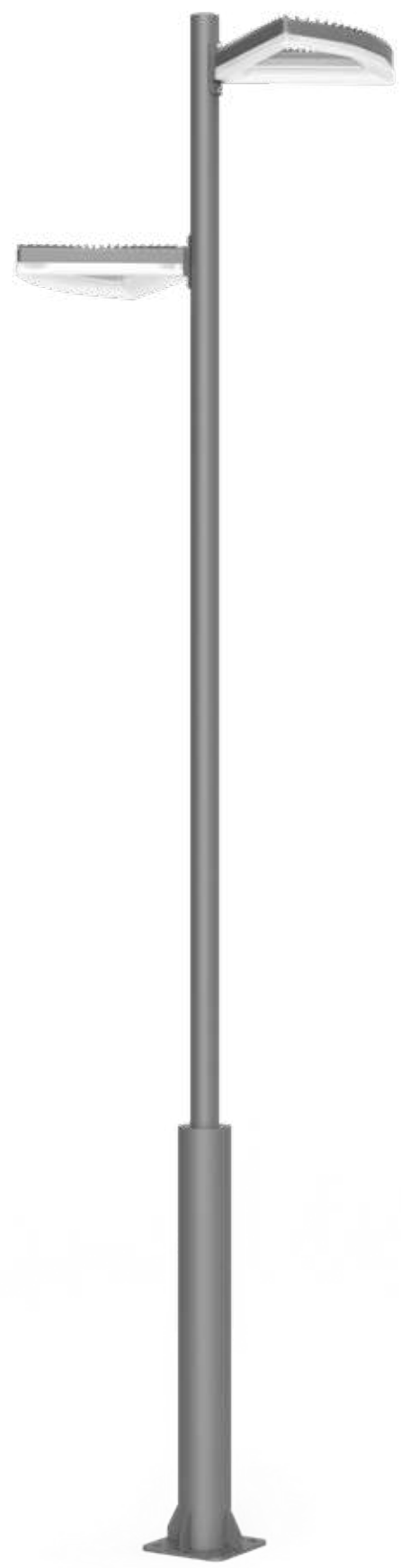


9004

9006

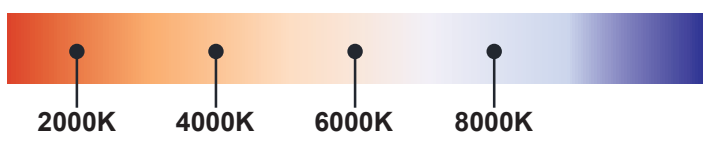
9007

9016



DM-DT40a

Colo(u)r temperature

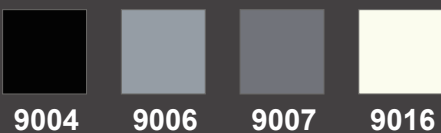


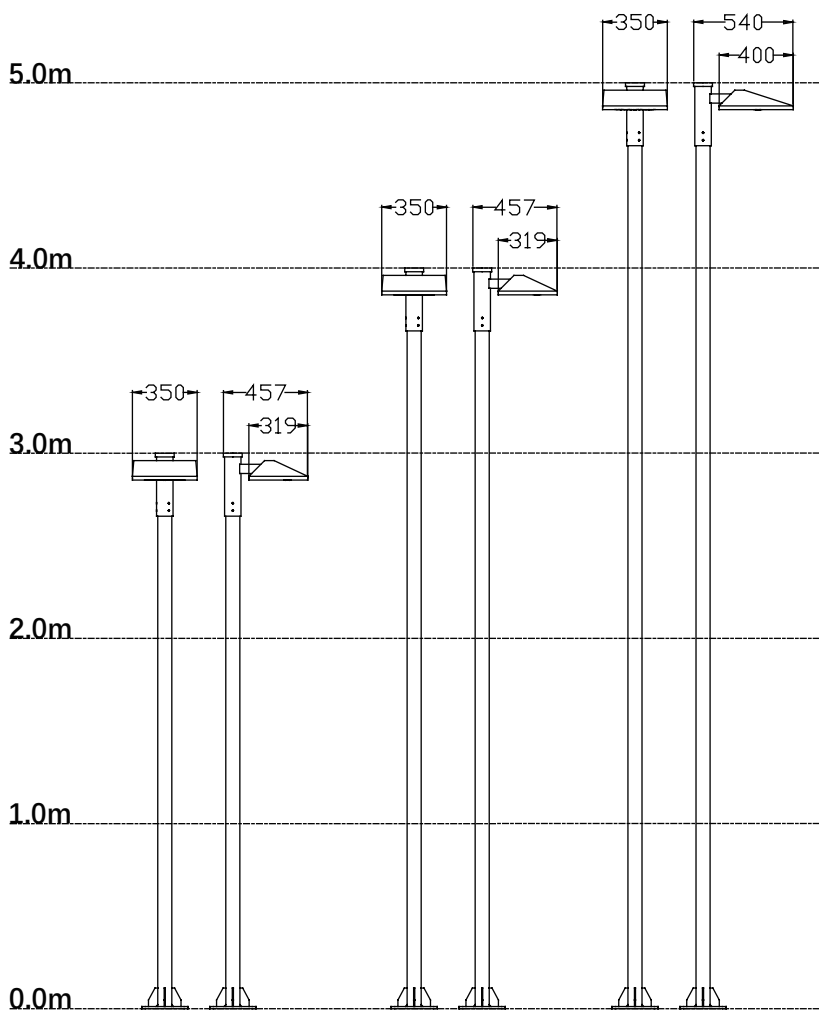


Rated power	30W~60W	Power Factor	> 0.9
LED Quantity	30-60pcs	Life	> 50000H
Color Temperature	6000k/4000k/3000k	THD	< 15%
Luminous Flux	2700lm~5400lm	Frequency Range	50/60HZ
Input Voltage	AC220~240V	Installation Pipe Diameter	/
Protection Grade	IP65	CRI	> 90
Operating Temperature	-30~50°C		

DM-DT40a

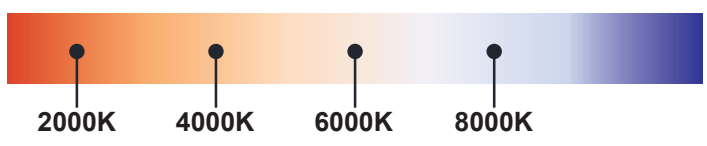
Standard colours





DM-DT41a

Colo(u)r temperature

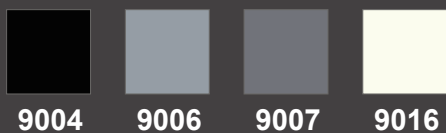


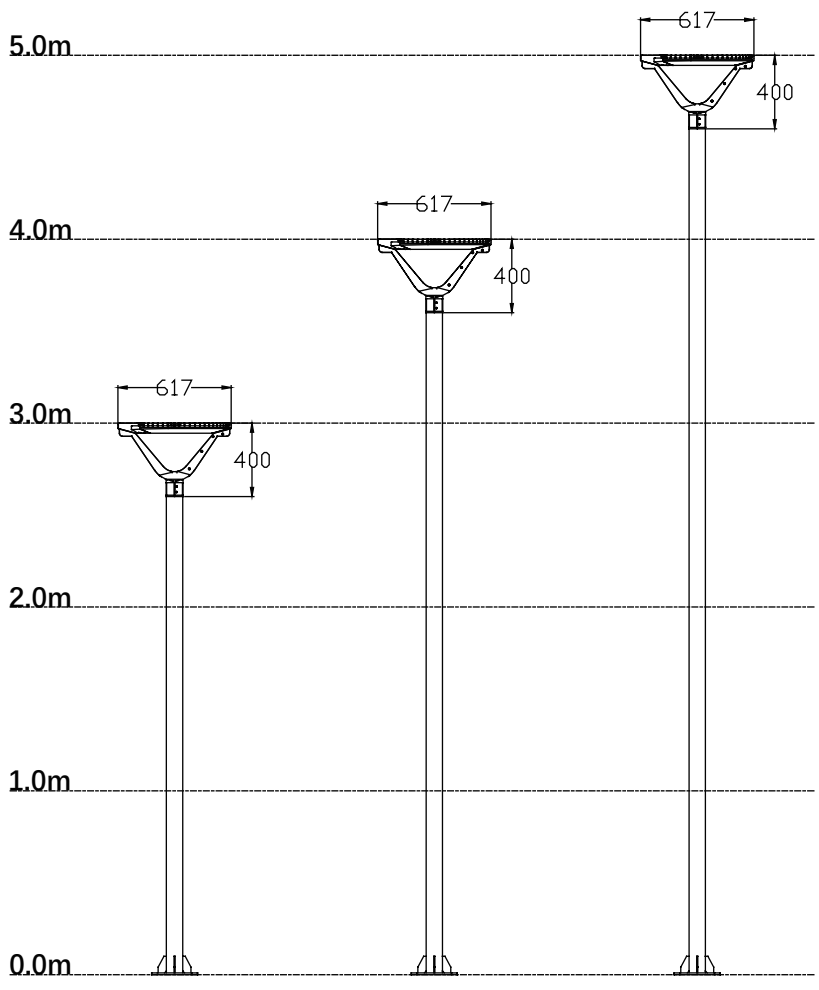
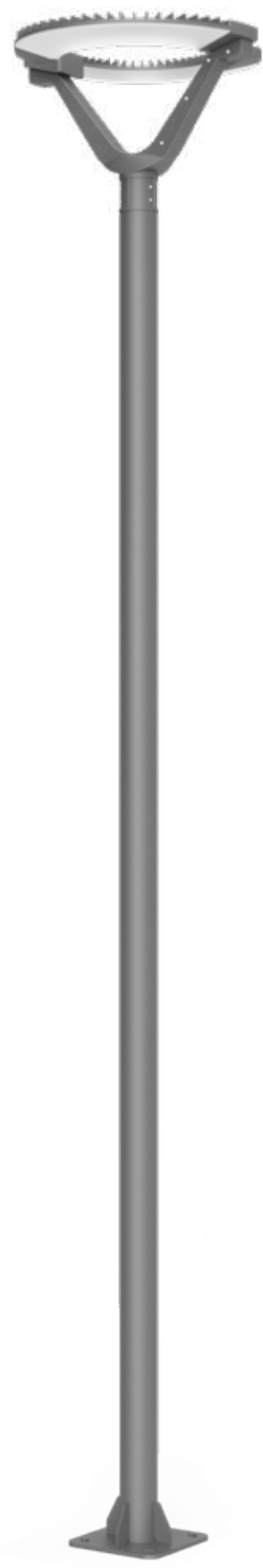


Rated power	30W~60W	Power Factor	> 0.9
LED Quantity	30-60pcs	Life	> 50000H
Color Temperature	6000k/4000k/3000k	THD	< 15%
Luminous Flux	2700lm~5400lm	Frequency Range	50/60HZ
Input Voltage	AC220~240V	Installation Pipe Diameter	/
Protection Grade	IP65	CRI	> 90
Operating Temperature	-30~50°C		

DM-DT41a

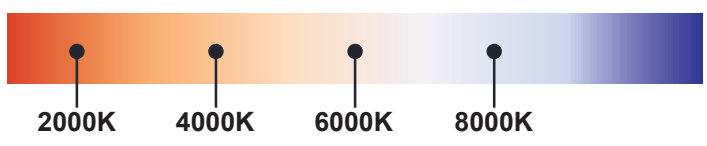
Standard colours





DM-DT42a

Colo(u)r temperature

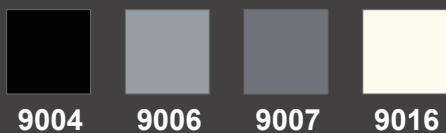




Rated power	30W~60W	Power Factor	> 0.9
LED Quantity	30-60pcs	Life	> 50000H
Color Temperature	6000k/4000k/3000k	THD	< 15%
Luminous Flux	2700lm~5400lm	Frequency Range	50/60HZ
Input Voltage	AC220~240V	Installation Pipe Diameter	/
Protection Grade	IP65	CRI	> 90
Operating Temperature	-30~50°C		

DM-DT42a

Standard colours

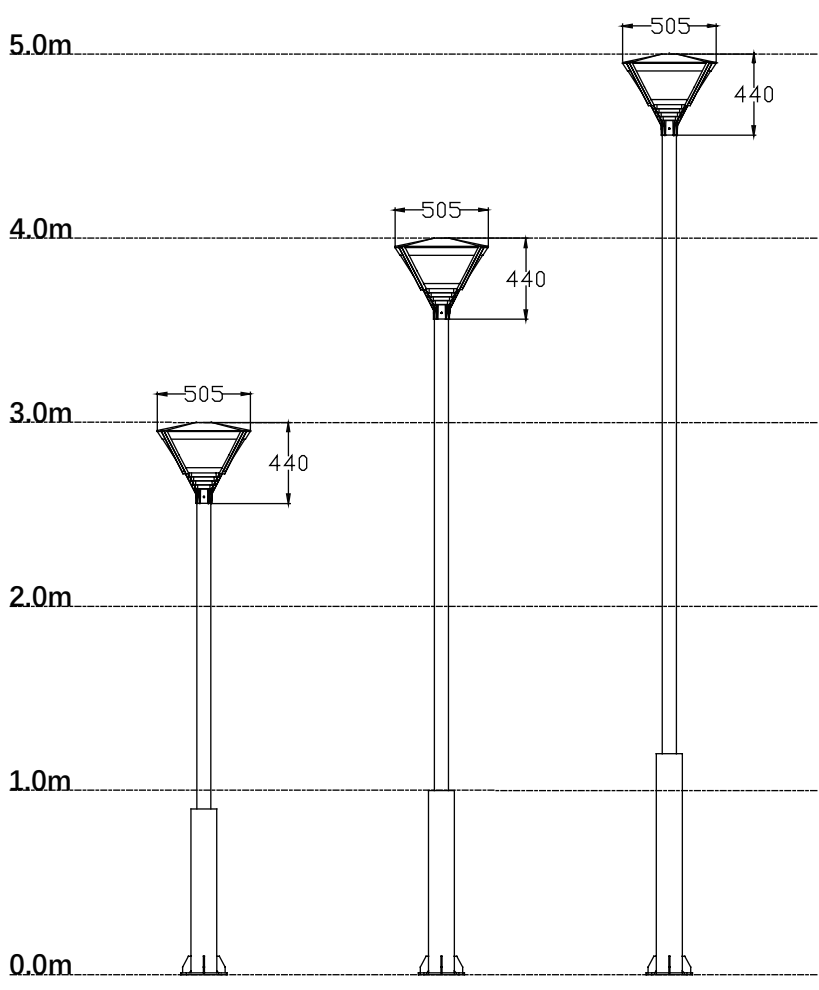


9004

9006

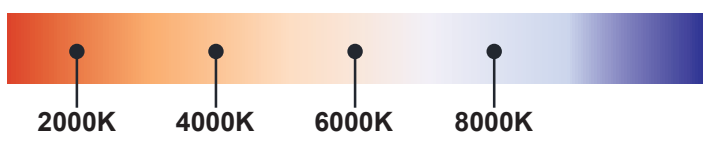
9007

9016



DM-DT43a

Colo(u)r temperature





Rated power	30W~60W	Power Factor	> 0.9
LED Quantity	30-60pcs	Life	> 50000H
Color Temperature	6000k/4000k/3000k	THD	< 15%
Luminous Flux	2700lm~5400lm	Frequency Range	50/60HZ
Input Voltage	AC220~240V	Installation Pipe Diameter	/
Protection Grade	IP65	CRI	> 90
Operating Temperature	-30~50°C		

DM-DT43a

Standard colours



9004



9006

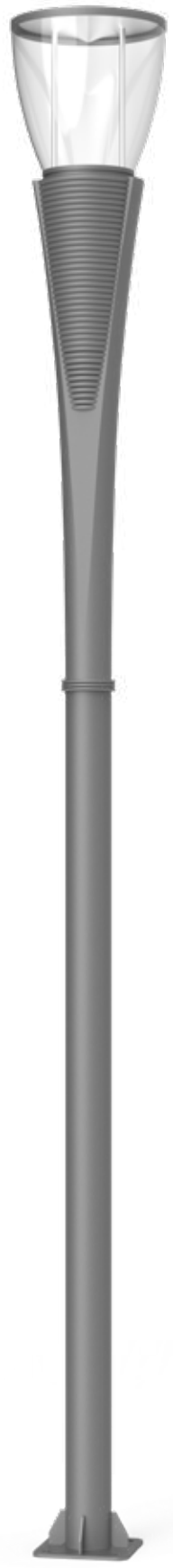
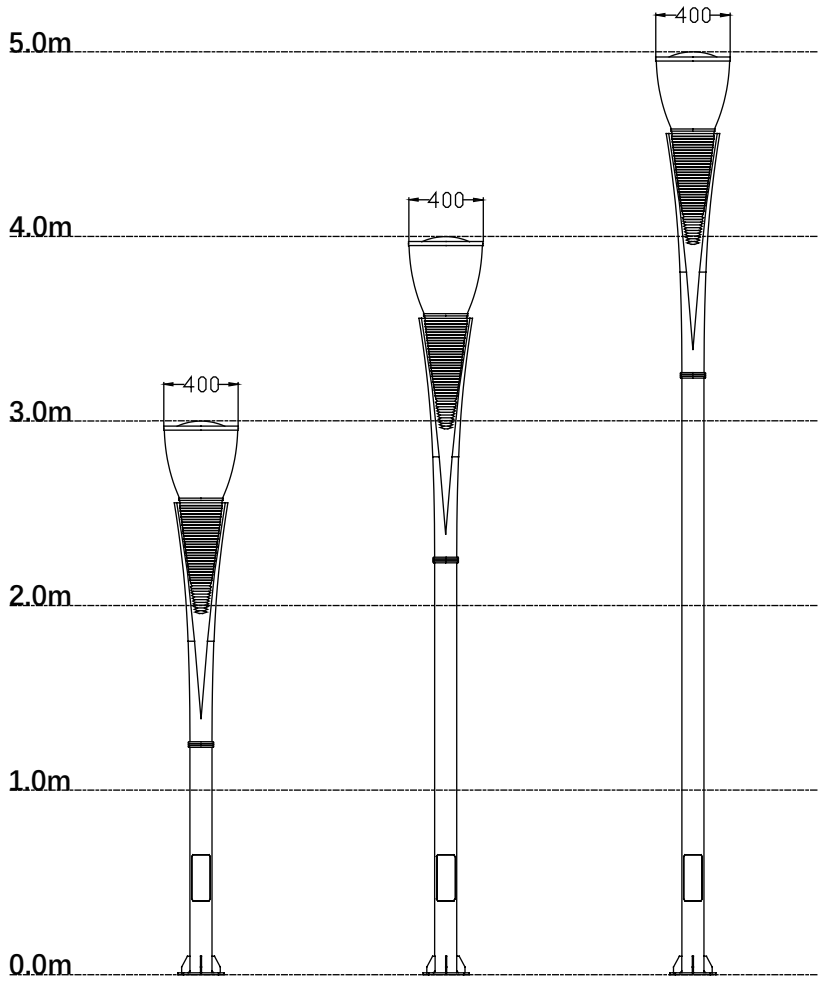


9007

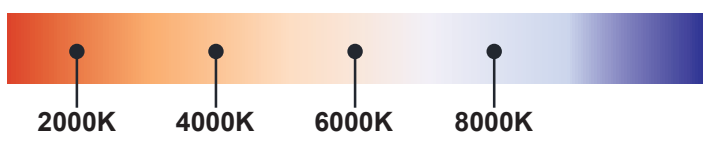


9016

DM-DT 44a



Colo(u)r temperature

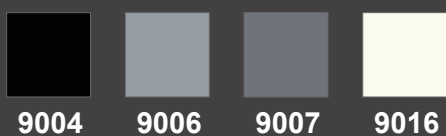


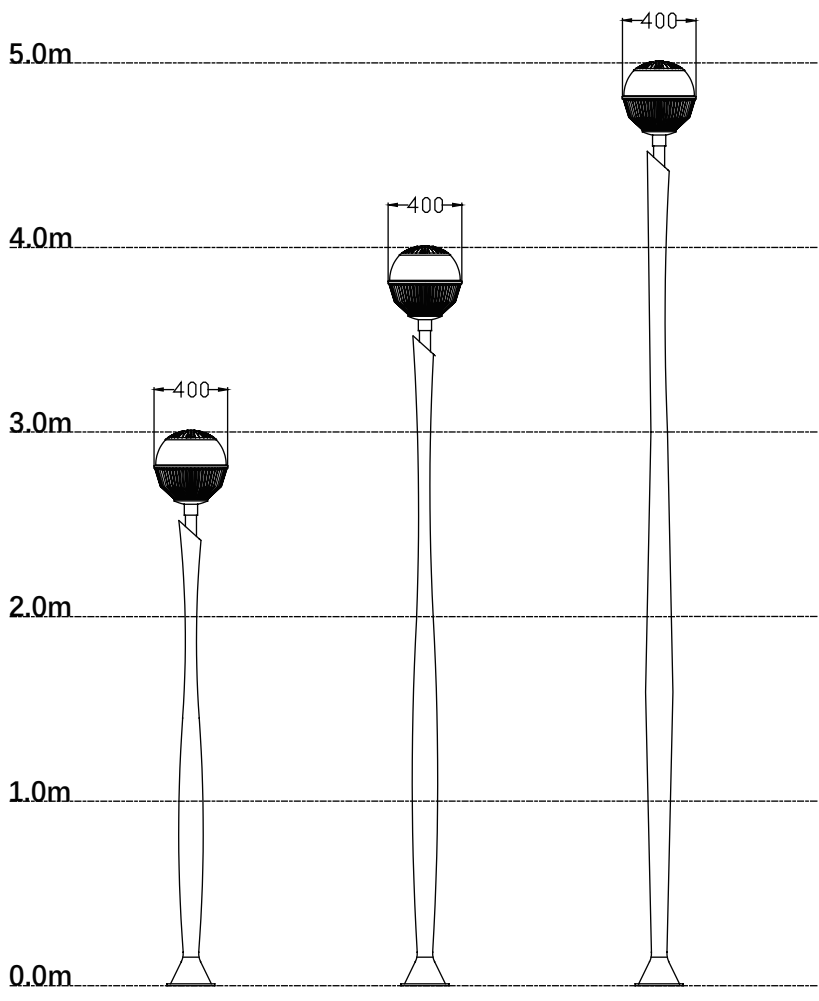


Rated power	30W~60W	Power Factor	> 0.9
LED Quantity	30-60pcs	Life	> 50000H
Color Temperature	6000k/4000k/3000k	THD	< 15%
Luminous Flux	2700lm~5400lm	Frequency Range	50/60HZ
Input Voltage	AC220~240V	Installation Pipe Diameter	/
Protection Grade	IP65	CRI	> 90
Operating Temperature	-30~50°C		

DM-DT44a

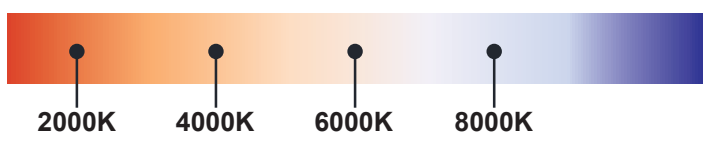
Standard colours





DM-DT45a

Colo(u)r temperature

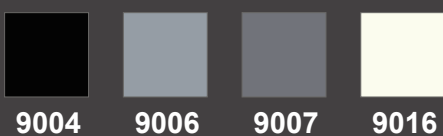


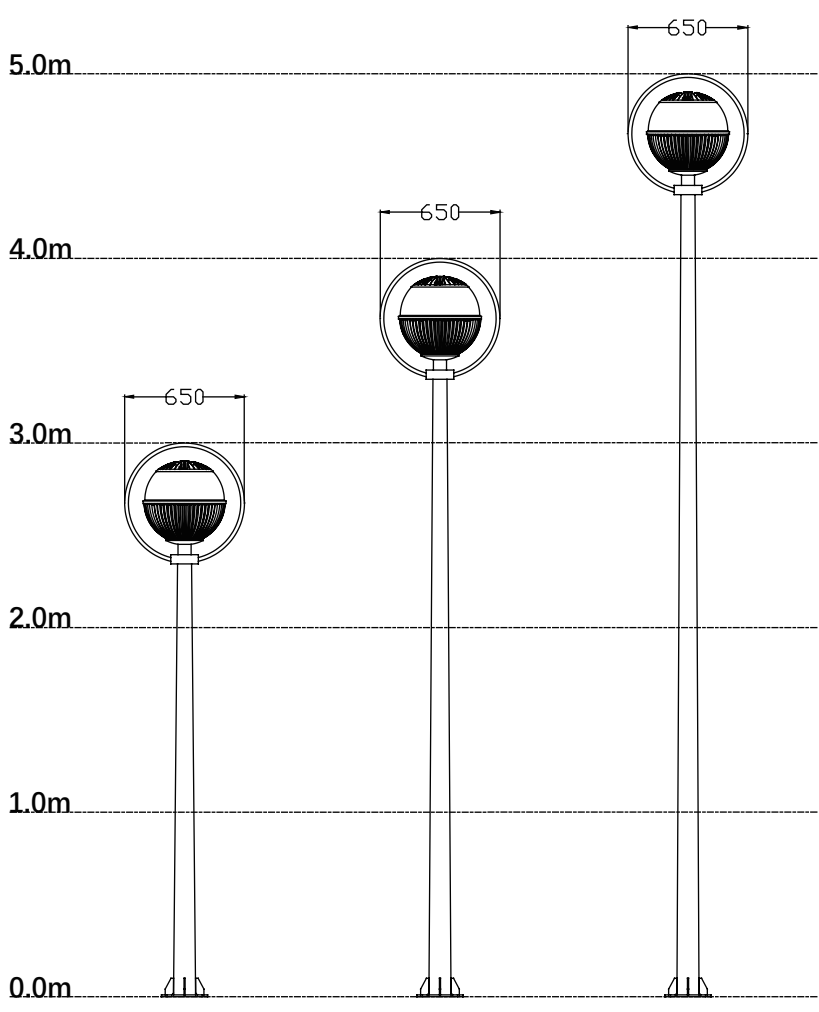


Rated power	30W~60W	Power Factor	> 0.9
LED Quantity	30-60pcs	Life	> 50000H
Color Temperature	6000k/4000k/3000k	THD	< 15%
Luminous Flux	2700lm~5400lm	Frequency Range	50/60HZ
Input Voltage	AC220~240V	Installation Pipe Diameter	/
Protection Grade	IP65	CRI	> 90
Operating Temperature	-30~50°C		

DM-DT45a

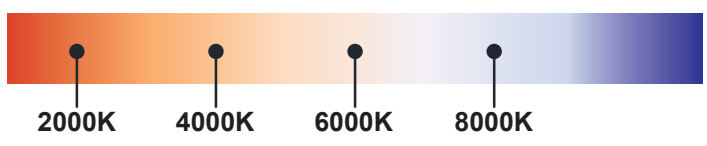
Standard colours





DM-DT46a

Colo(u)r temperature

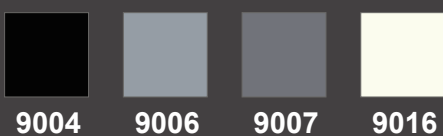




Rated power	30W~60W	Power Factor	> 0.9
LED Quantity	30-60pcs	Life	> 50000H
Color Temperature	6000k/4000k/3000k	THD	< 15%
Luminous Flux	2700lm~5400lm	Frequency Range	50/60HZ
Input Voltage	AC220~240V	Installation Pipe Diameter	/
Protection Grade	IP65	CRI	> 90
Operating Temperature	-30~50°C		

DM-DT46a

Standard colours

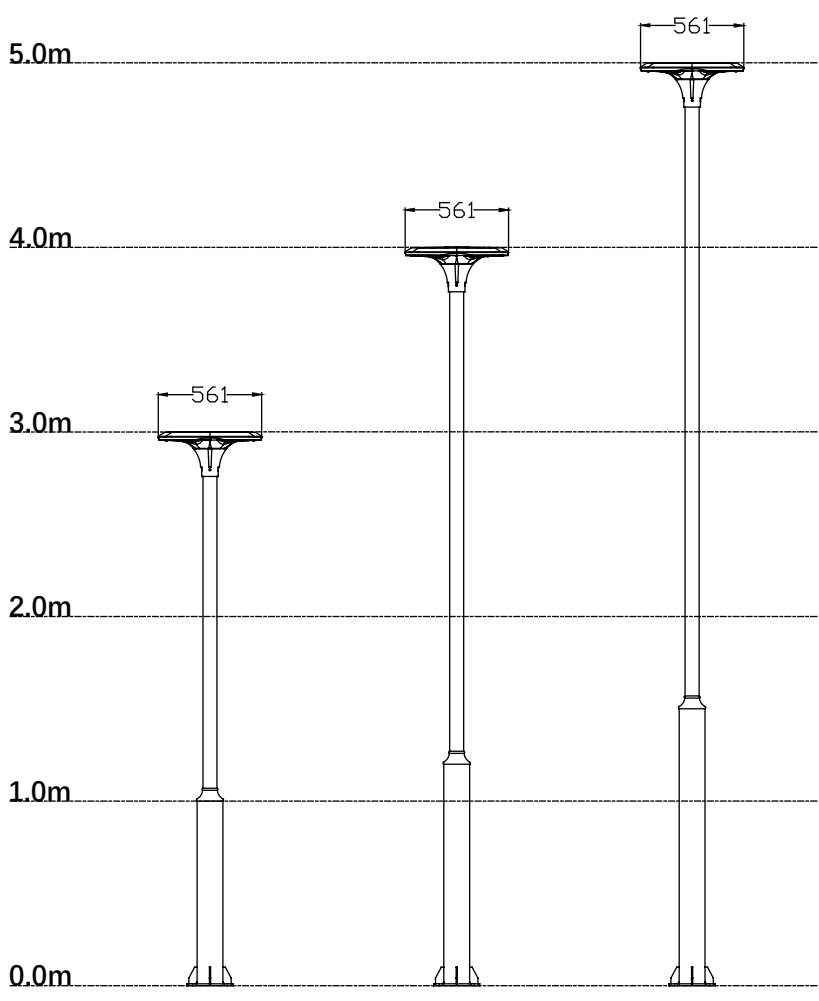


9004

9006

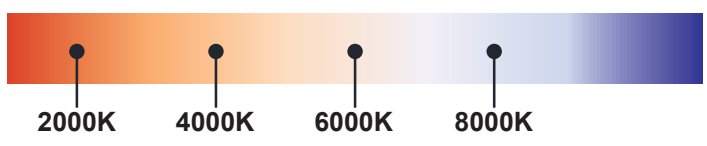
9007

9016



DM-DT47a

Colo(u)r temperature

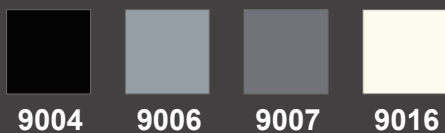




Rated power	30W~60W	Power Factor	> 0.9
LED Quantity	30-60pcs	Life	> 50000H
Color Temperature	6000k/4000k/3000k	THD	< 15%
Luminous Flux	2700lm~5400lm	Frequency Range	50/60HZ
Input Voltage	AC220~240V	Installation Pipe Diameter	/
Protection Grade	IP65	CRI	> 90
Operating Temperature	-30~50°C		

DM-DT47a

Standard colours

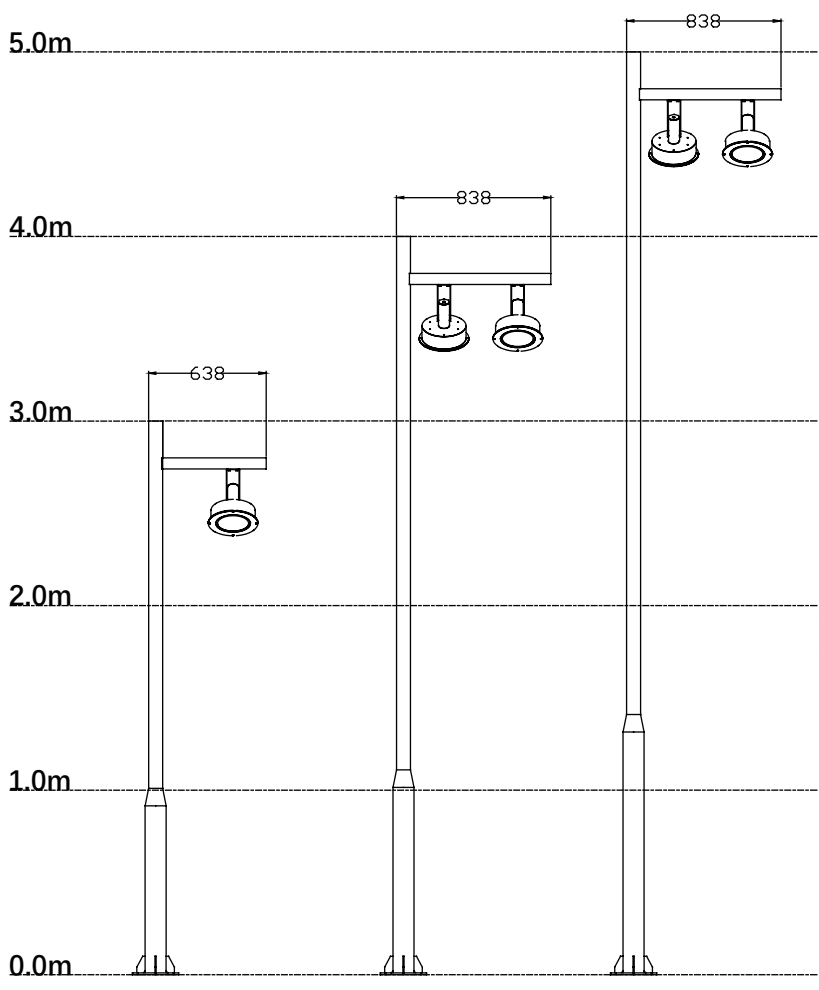
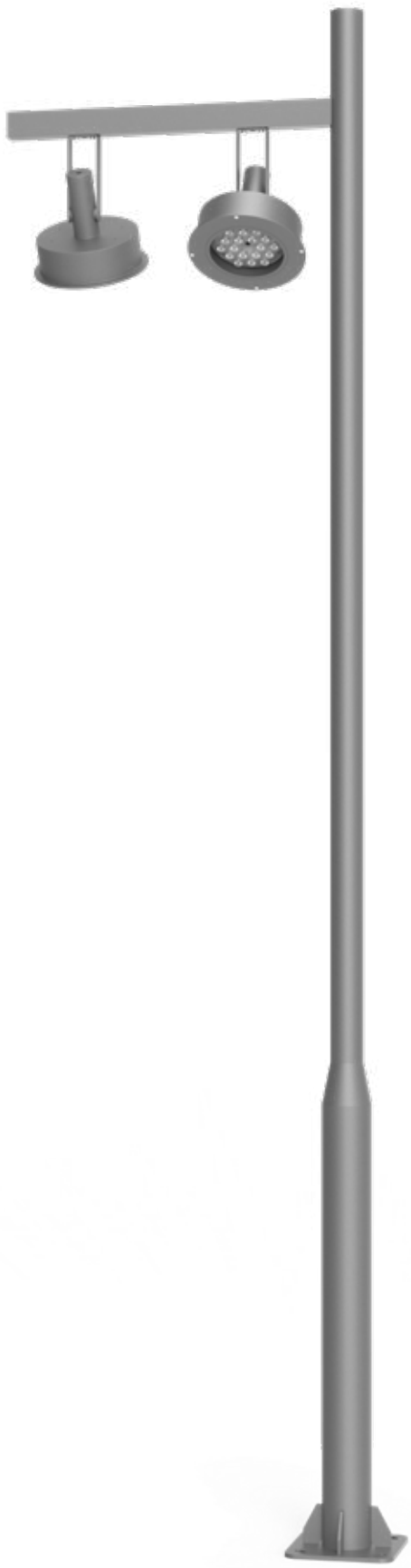


9004

9006

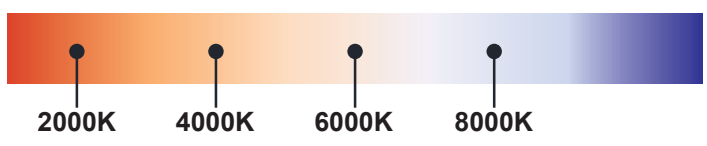
9007

9016



DM-DT48a

Color temperature

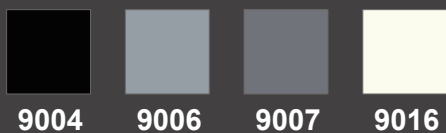




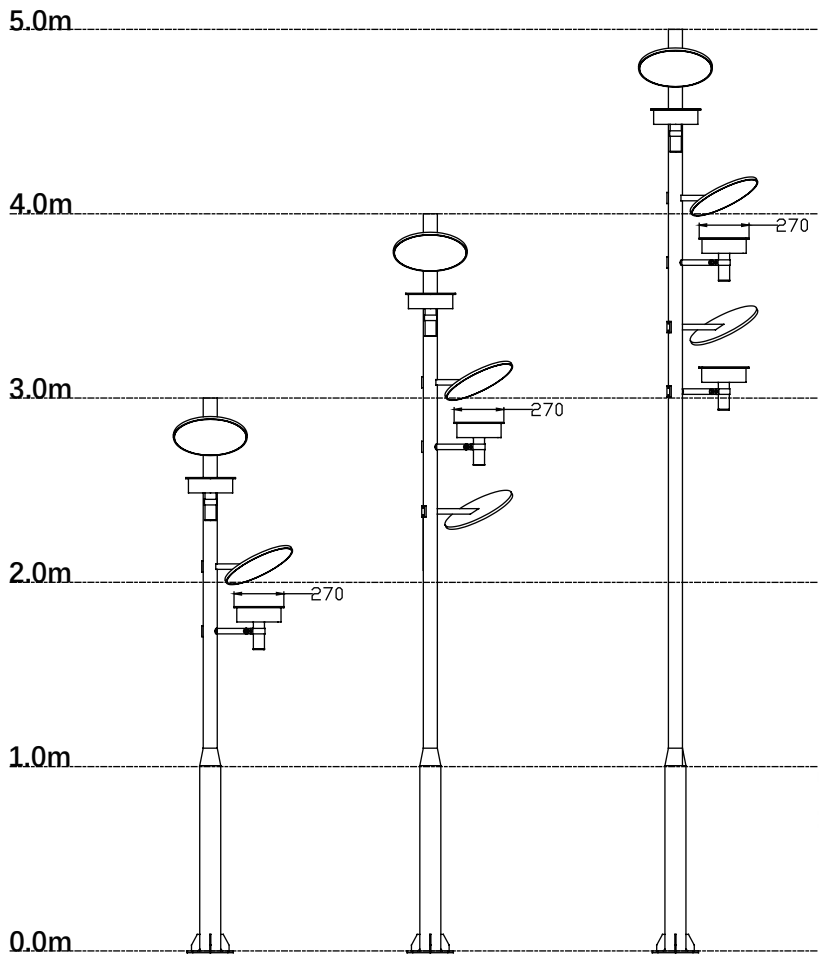
Rated power	30W~60W	Power Factor	> 0.9
LED Quantity	30-60pcs	Life	> 50000H
Color Temperature	6000k/4000k/3000k	THD	< 15%
Luminous Flux	2700lm~5400lm	Frequency Range	50/60HZ
Input Voltage	AC220~240V	Installation Pipe Diameter	/
Protection Grade	IP65	CRI	> 90
Operating Temperature	-30~50°C		

DM-DT48a

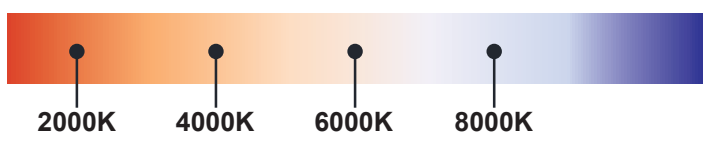
Standard colours



DM-DT48b



Colo(u)r temperature

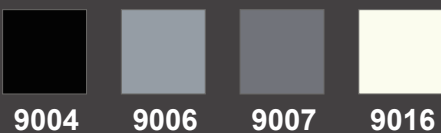




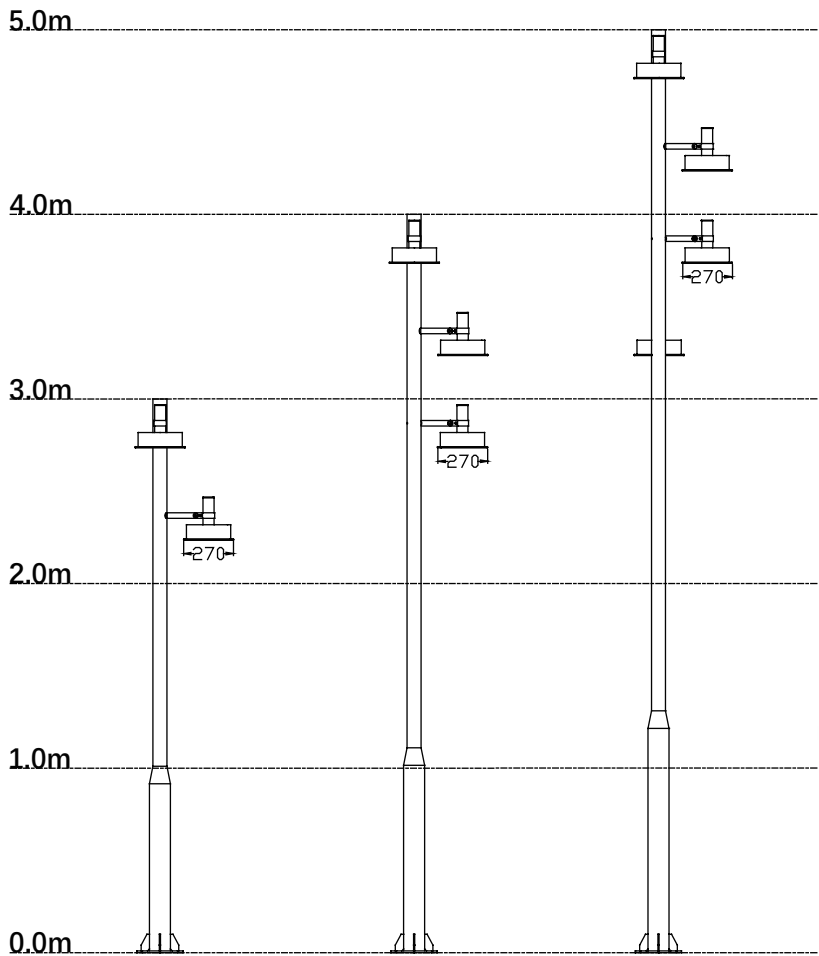
Rated power	30W~60W	Power Factor	> 0.9
LED Quantity	30-60pcs	Life	> 50000H
Color Temperature	6000k/4000k/3000k	THD	< 15%
Luminous Flux	2700lm~5400lm	Frequency Range	50/60HZ
Input Voltage	AC220~240V	Installation Pipe Diameter	/
Protection Grade	IP65	CRI	> 90
Operating Temperature	-30~50°C		

DM-DT48b

Standard colours

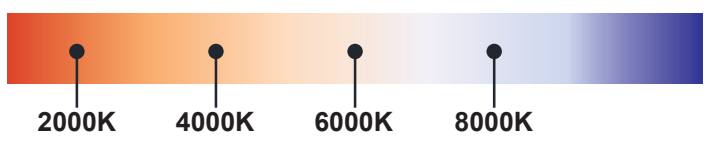


9004 9006 9007 9016



DM-DT48c

Colo(u)r temperature





Rated power	30W~60W	Power Factor	> 0.9
LED Quantity	30-60pcs	Life	> 50000H
Color Temperature	6000k/4000k/3000k	THD	< 15%
Luminous Flux	2700lm~5400lm	Frequency Range	50/60HZ
Input Voltage	AC220~240V	Installation Pipe Diameter	/
Protection Grade	IP65	CRI	> 90
Operating Temperature	-30~50°C		

DM-DT48c

Standard colours

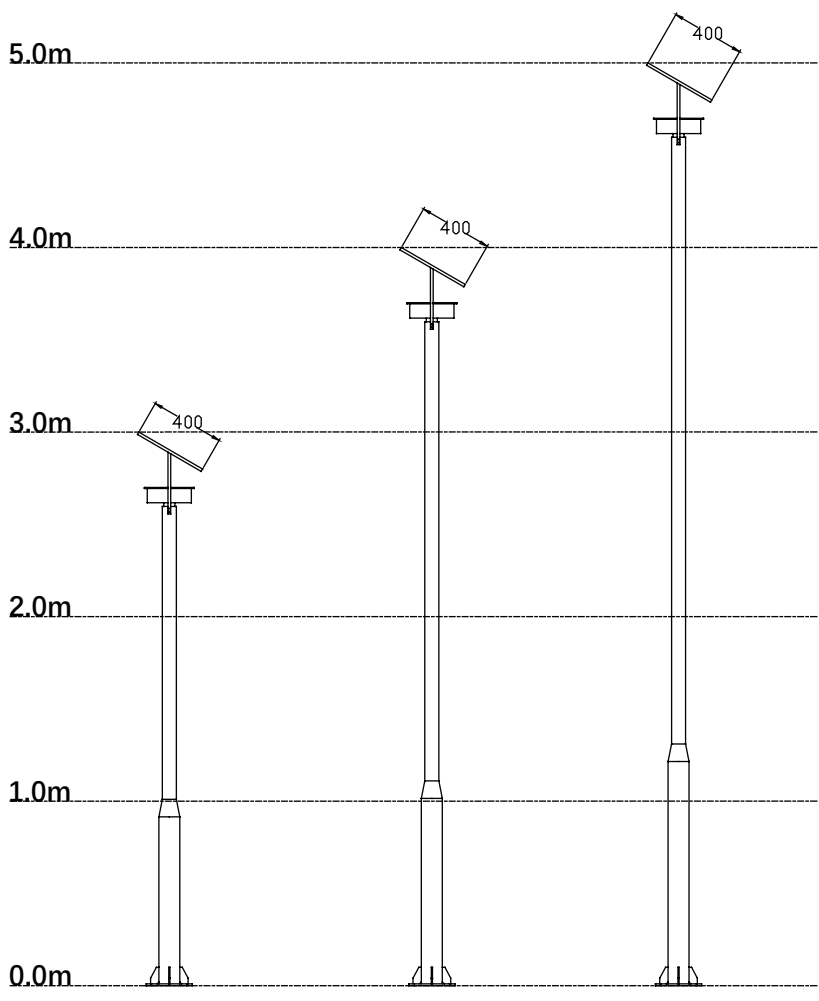


9004

9006

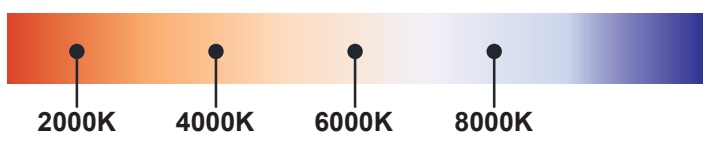
9007

9016



DM-DT48d

Colo(u)r temperature

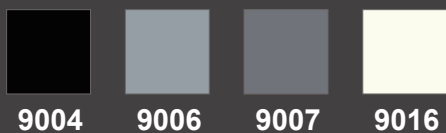




Rated power	30W~60W	Power Factor	> 0.9
LED Quantity	30-60pcs	Life	> 50000H
Color Temperature	6000k/4000k/3000k	THD	< 15%
Luminous Flux	2700lm~5400lm	Frequency Range	50/60HZ
Input Voltage	AC220~240V	Installation Pipe Diameter	/
Protection Grade	IP65	CRI	> 90
Operating Temperature	-30~50°C		

DM-DT48d

Standard colours

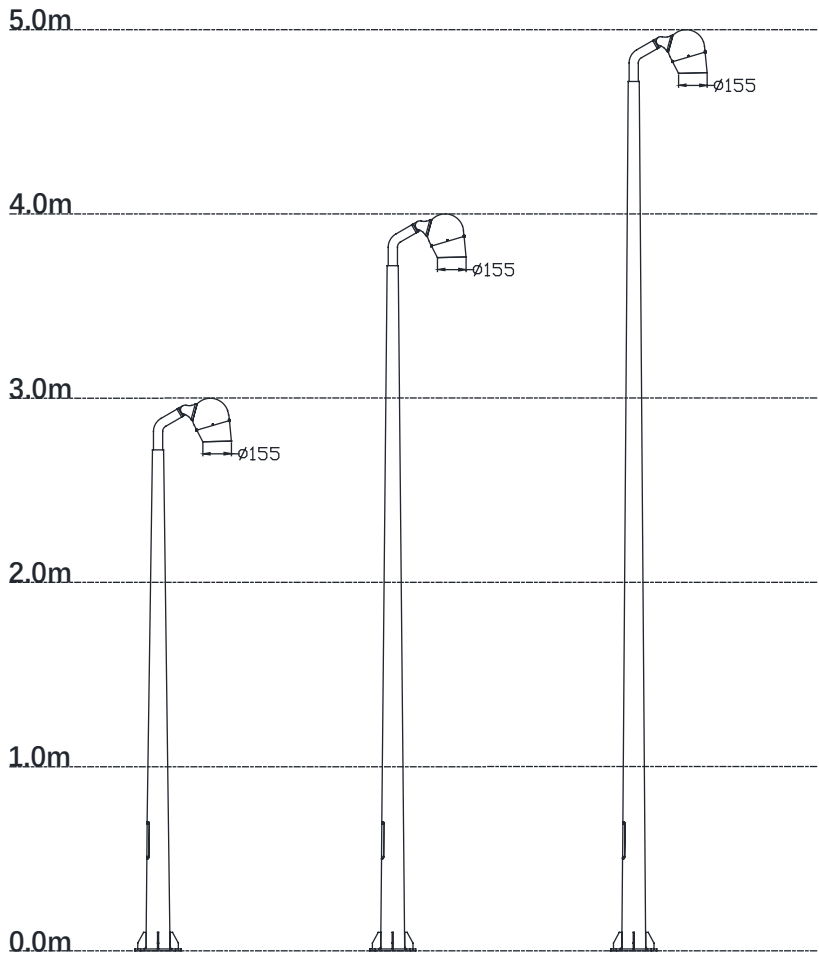


9004

9006

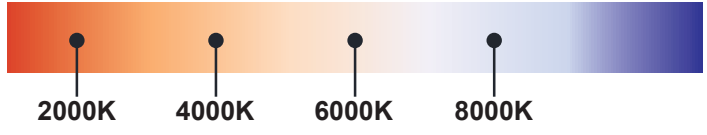
9007

9016



DM-DT49a

Color temperature

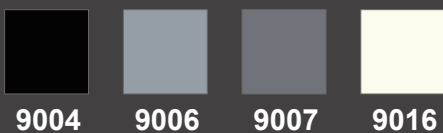




Rated power	30W~60W	Power Factor	> 0.9
LED Quantity	30-60pcs	Life	> 50000H
Color Temperature	6000k/4000k/3000k	THD	< 15%
Luminous Flux	2700lm~5400lm	Frequency Range	50/60HZ
Input Voltage	AC220~240V	Installation Pipe Diameter	/
Protection Grade	IP65	CRI	> 90
Operating Temperature	-30~50°C		

DM-DT49a

Standard colours

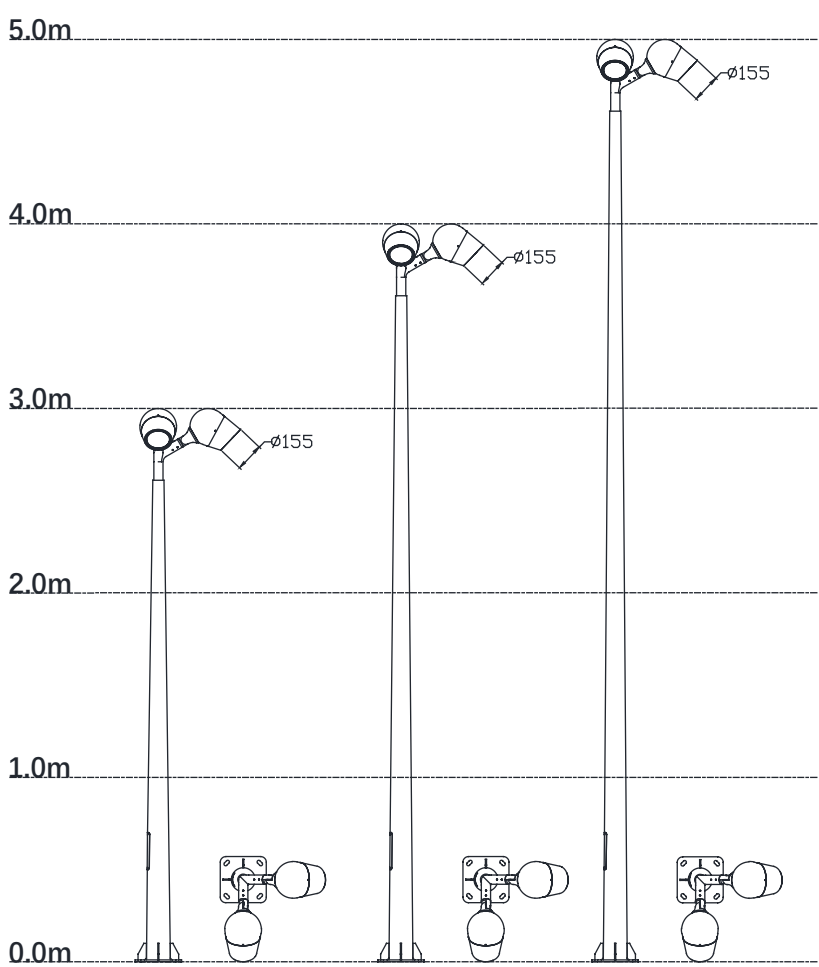


9004

9006

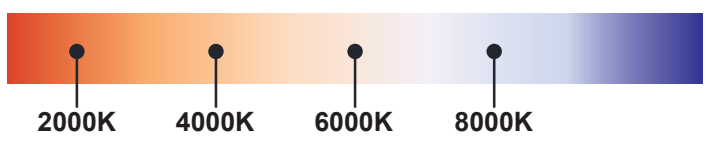
9007

9016



DM-DT50a

Colo(u)r temperature

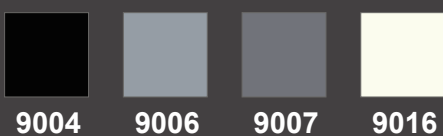


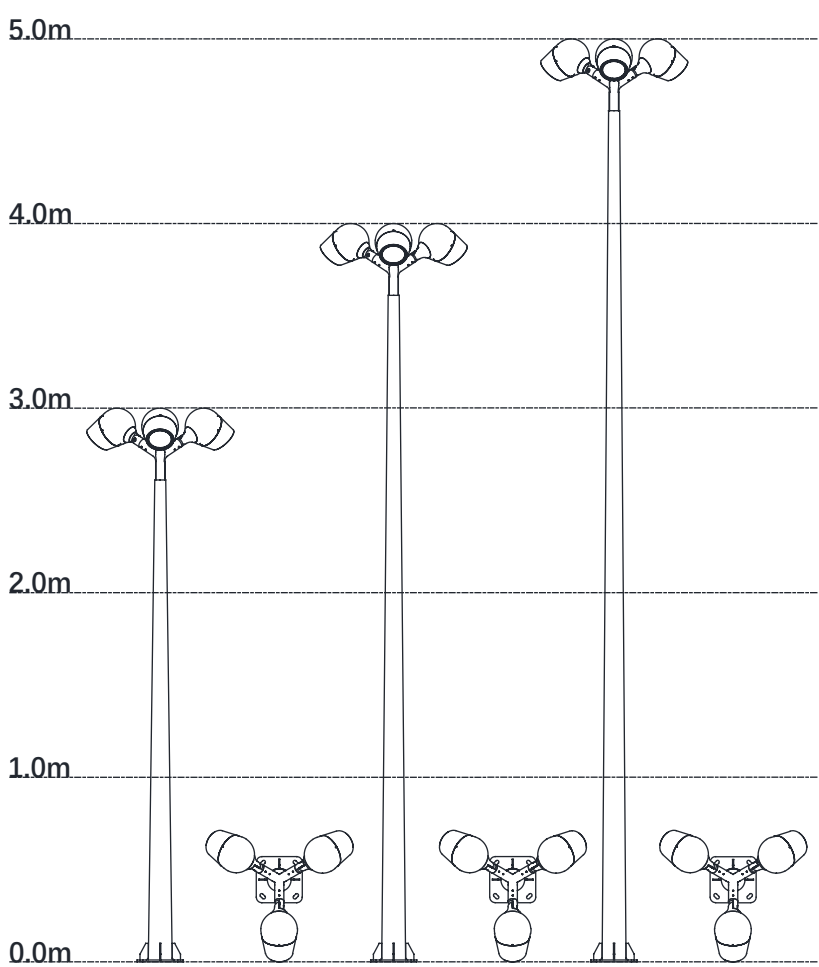
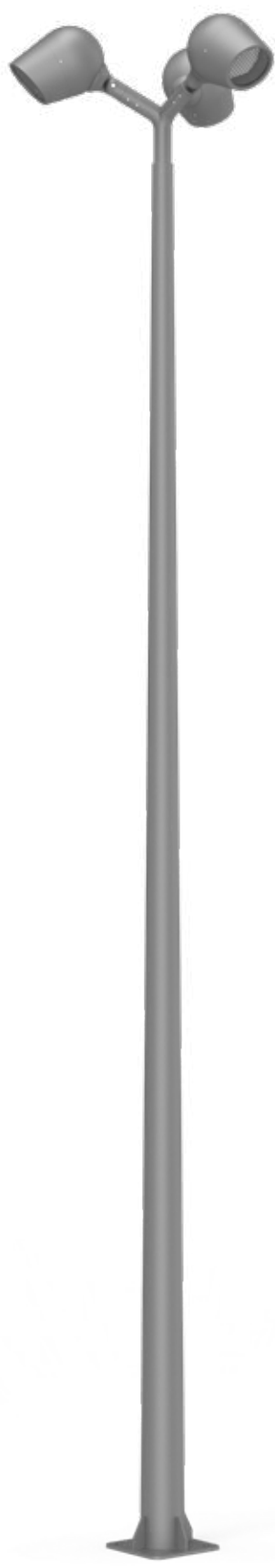


Rated power	30W~60W	Power Factor	> 0.9
LED Quantity	30-60pcs	Life	> 50000H
Color Temperature	6000k/4000k/3000k	THD	< 15%
Luminous Flux	2700lm~5400lm	Frequency Range	50/60HZ
Input Voltage	AC220~240V	Installation Pipe Diameter	/
Protection Grade	IP65	CRI	> 90
Operating Temperature	-30~50°C		

DM-DT50a

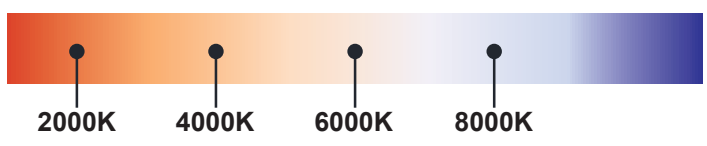
Standard colours





DM-DT51a

Colo(u)r temperature

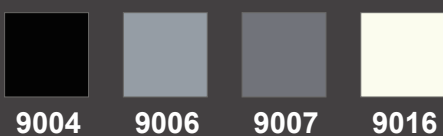




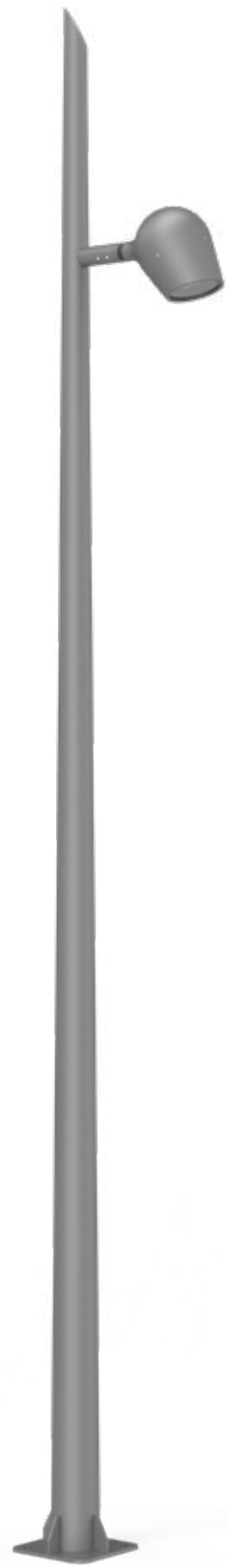
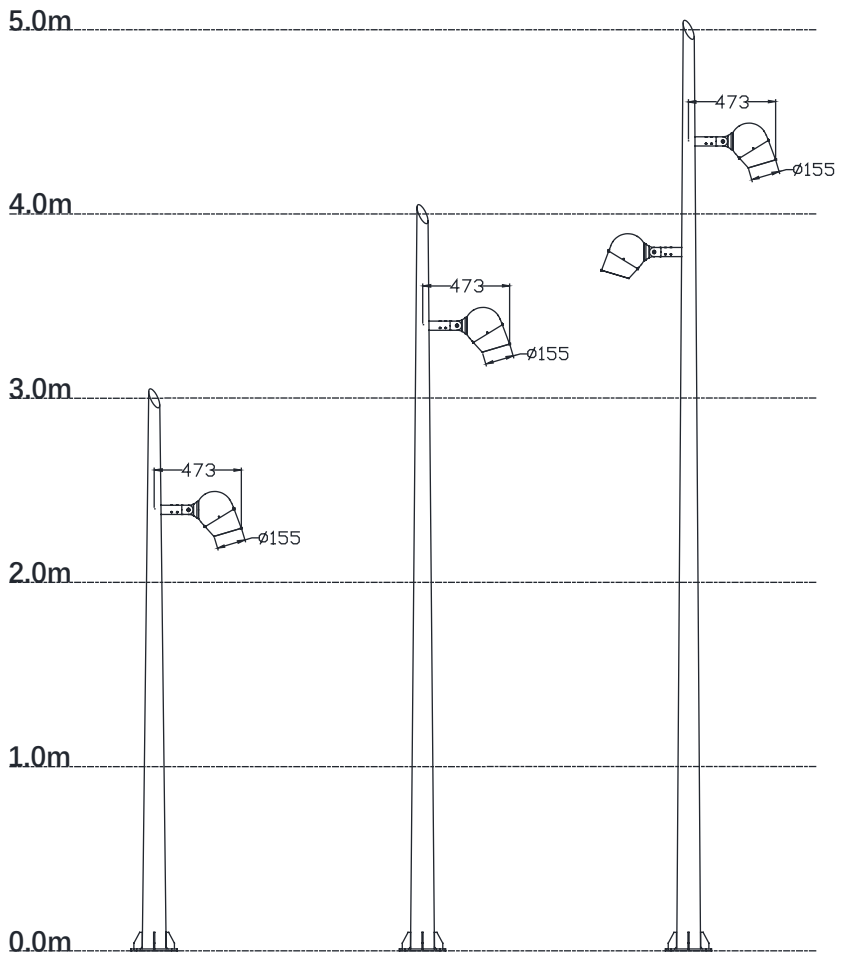
Rated power	30W~60W	Power Factor	> 0.9
LED Quantity	30-60pcs	Life	> 50000H
Color Temperature	6000k/4000k/3000k	THD	< 15%
Luminous Flux	2700lm~5400lm	Frequency Range	50/60HZ
Input Voltage	AC220~240V	Installation Pipe Diameter	/
Protection Grade	IP65	CRI	> 90
Operating Temperature	-30~50°C		

DM-DT51a

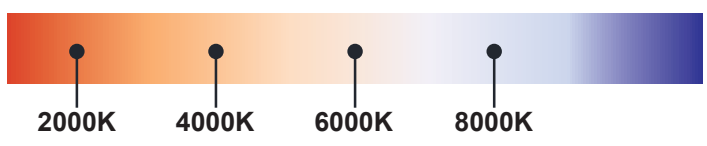
Standard colours



DM-DT52a



Color temperature

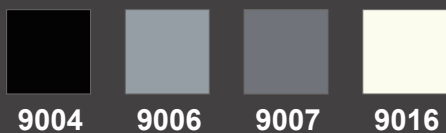


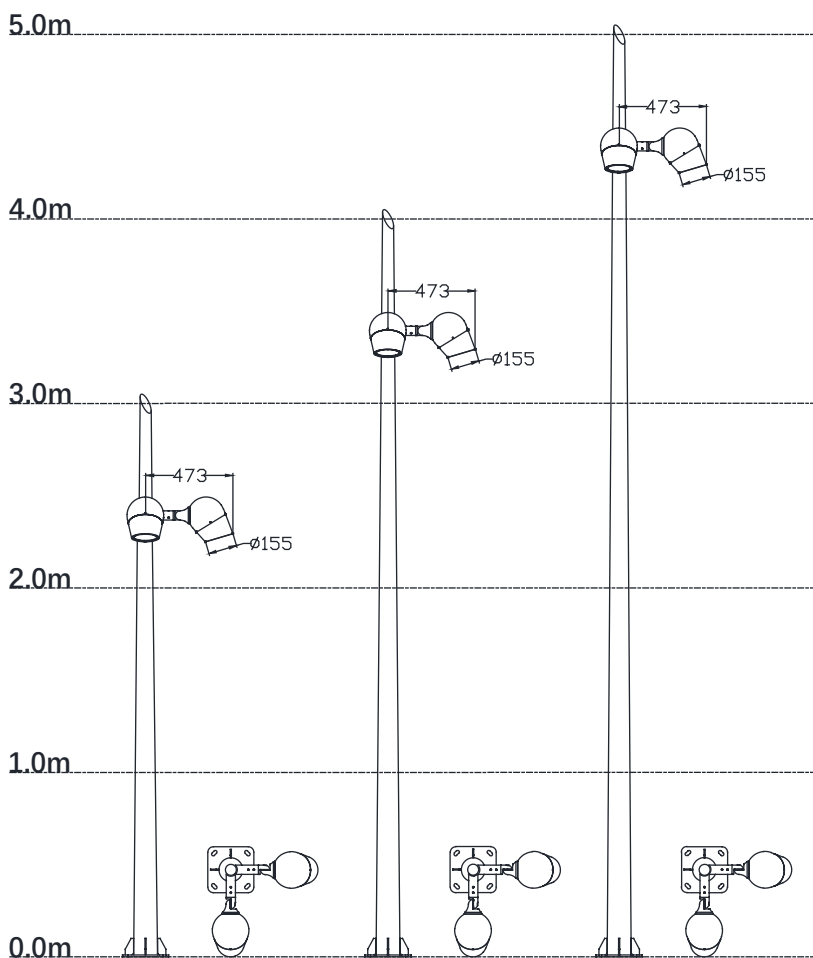
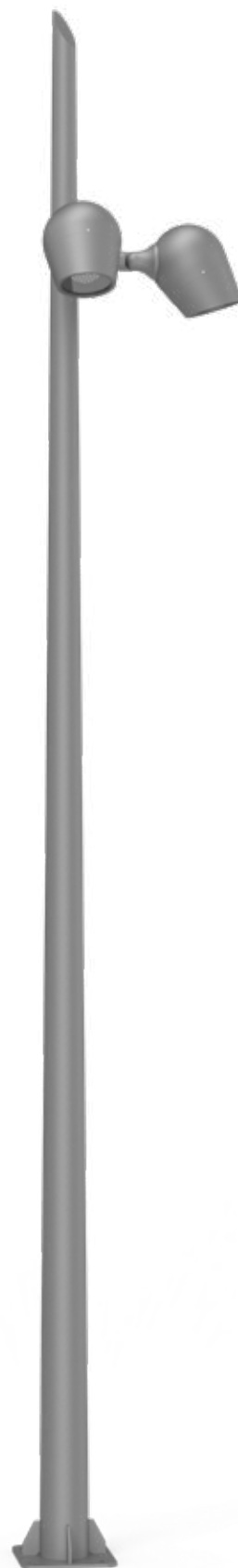


Rated power	30W~60W	Power Factor	> 0.9
LED Quantity	30-60pcs	Life	> 50000H
Color Temperature	6000k/4000k/3000k	THD	< 15%
Luminous Flux	2700lm~5400lm	Frequency Range	50/60HZ
Input Voltage	AC220~240V	Installation Pipe Diameter	/
Protection Grade	IP65	CRI	> 90
Operating Temperature	-30~50°C		

DM-DT52a

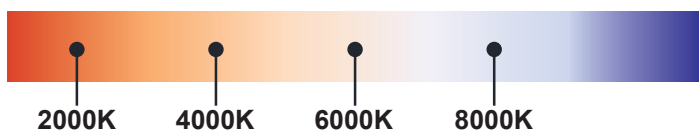
Standard colours





DM-DT53a

Colo(u)r temperature

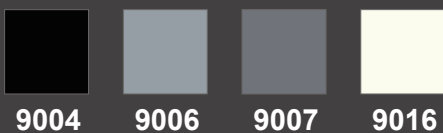


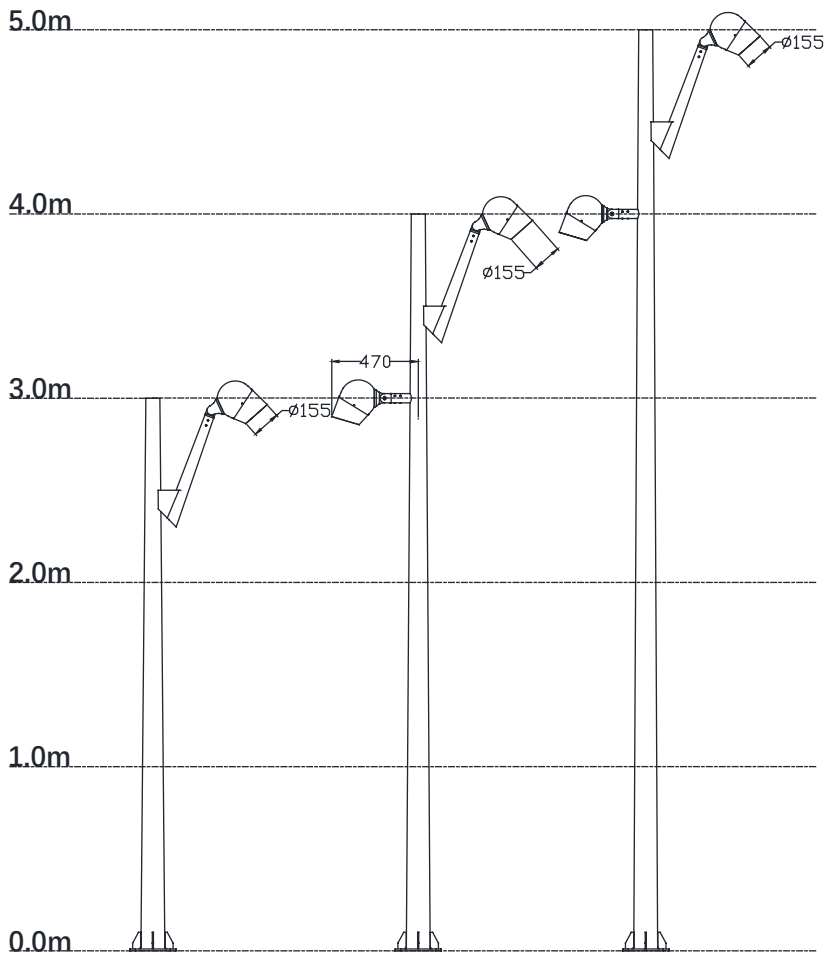


Rated power	30W~60W	Power Factor	> 0.9
LED Quantity	30-60pcs	Life	> 50000H
Color Temperature	6000k/4000k/3000k	THD	< 15%
Luminous Flux	2700lm~5400lm	Frequency Range	50/60HZ
Input Voltage	AC220~240V	Installation Pipe Diameter	/
Protection Grade	IP65	CRI	> 90
Operating Temperature	-30~50°C		

DM-DT53a

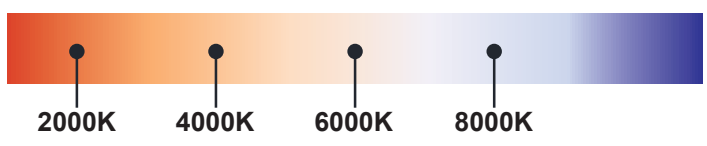
Standard colours





DM-DT54a

Colo(u)r temperature

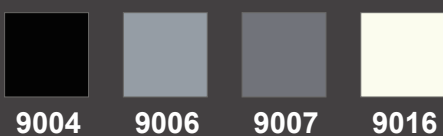


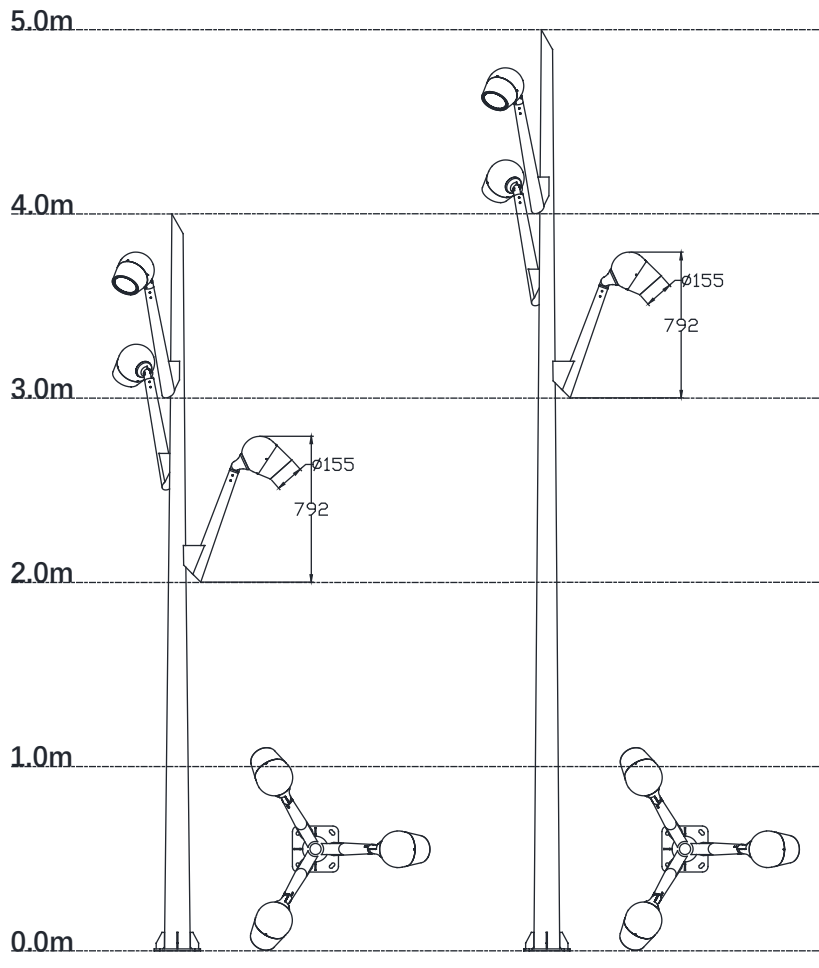


Rated power	30W~60W	Power Factor	> 0.9
LED Quantity	30-60pcs	Life	> 50000H
Color Temperature	6000k/4000k/3000k	THD	< 15%
Luminous Flux	2700lm~5400lm	Frequency Range	50/60HZ
Input Voltage	AC220~240V	Installation Pipe Diameter	/
Protection Grade	IP65	CRI	> 90
Operating Temperature	-30~50°C		

DM-DT54a

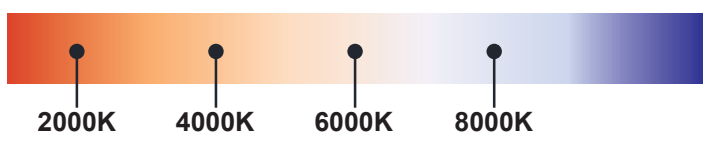
Standard colours





DM-DT55a

Colo(u)r temperature

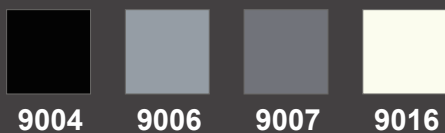


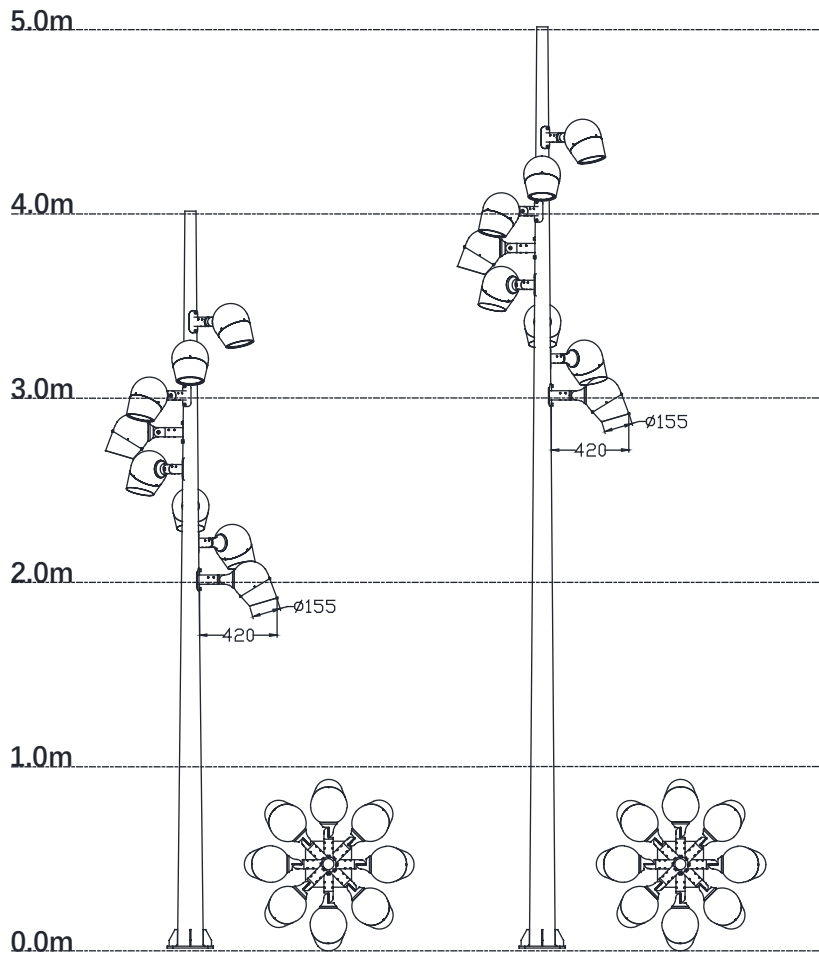


Rated power	30W~60W	Power Factor	> 0.9
LED Quantity	30-60pcs	Life	> 50000H
Color Temperature	6000k/4000k/3000k	THD	< 15%
Luminous Flux	2700lm~5400lm	Frequency Range	50/60HZ
Input Voltage	AC220~240V	Installation Pipe Diameter	/
Protection Grade	IP65	CRI	> 90
Operating Temperature	-30~50°C		

DM-DT55a

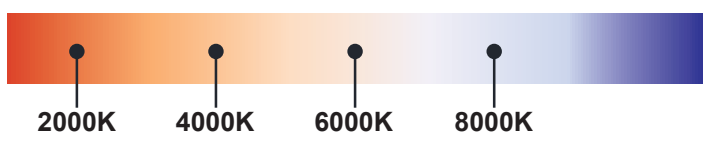
Standard colours





DM-DT56a

Color temperature



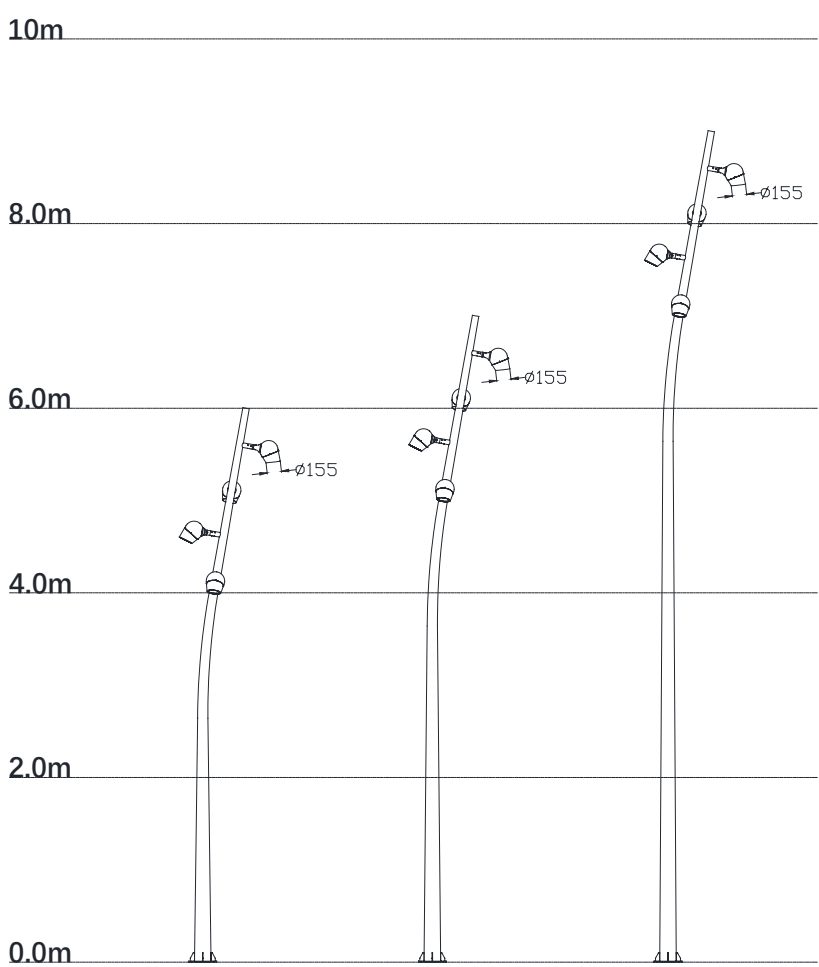


Rated power	30W~60W	Power Factor	> 0.9
LED Quantity	30-60pcs	Life	> 50000H
Color Temperature	6000k/4000k/3000k	THD	< 15%
Luminous Flux	2700lm~5400lm	Frequency Range	50/60HZ
Input Voltage	AC220~240V	Installation Pipe Diameter	/
Protection Grade	IP65	CRI	> 90
Operating Temperature	-30~50°C		

DM-DT56a

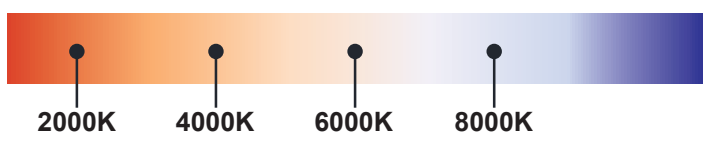
Standard colours





DM-DT57a

Colo(u)r temperature

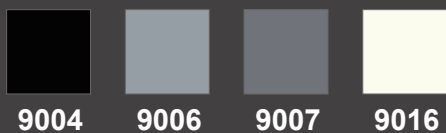




Rated power	30W~60W	Power Factor	> 0.9
LED Quantity	30-60pcs	Life	> 50000H
Color Temperature	6000k/4000k/3000k	THD	< 15%
Luminous Flux	2700lm~5400lm	Frequency Range	50/60HZ
Input Voltage	AC220~240V	Installation Pipe Diameter	/
Protection Grade	IP65	CRI	> 90
Operating Temperature	-30~50°C		

DM-DT57a

Standard colours

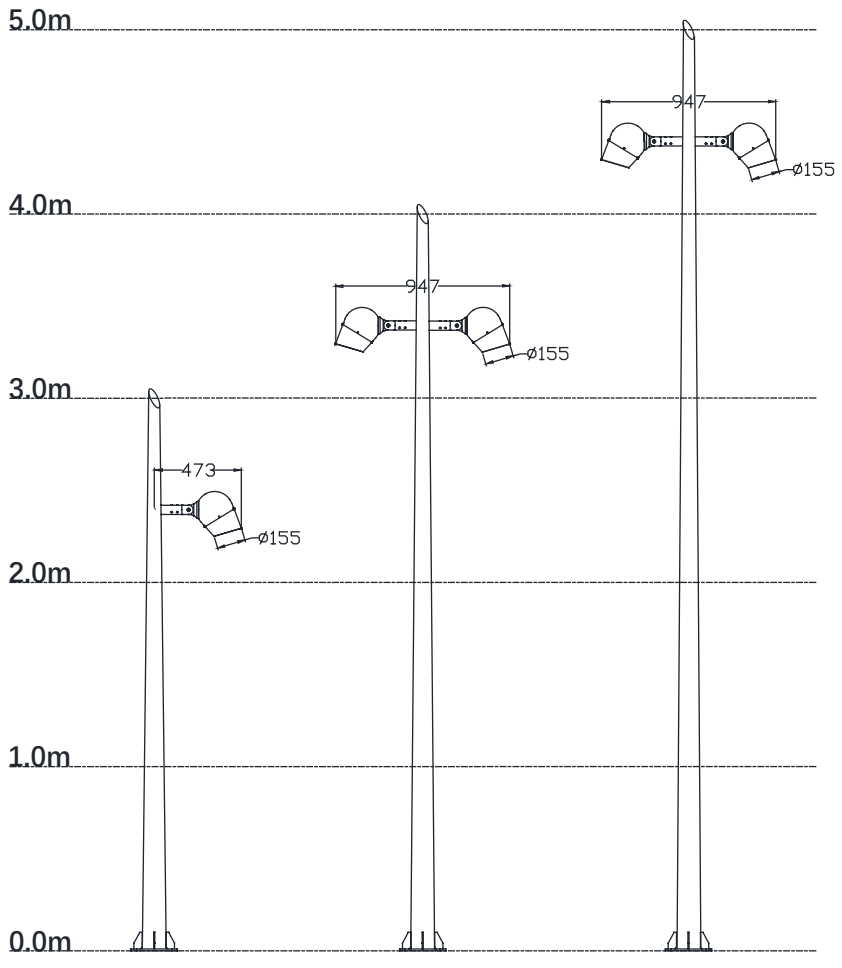


9004

9006

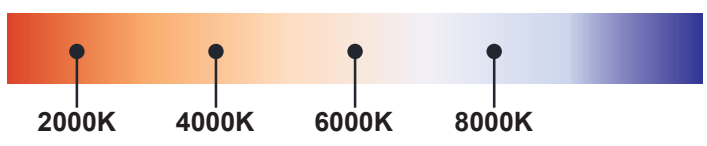
9007

9016



DM-DT58a

Colo(u)r temperature





Rated power	30W~60W	Power Factor	> 0.9
LED Quantity	30-60pcs	Life	> 50000H
Color Temperature	6000k/4000k/3000k	THD	< 15%
Luminous Flux	2700lm~5400lm	Frequency Range	50/60HZ
Input Voltage	AC220~240V	Installation Pipe Diameter	/
Protection Grade	IP65	CRI	> 90
Operating Temperature	-30~50°C		

DM-DT58a

Standard colours

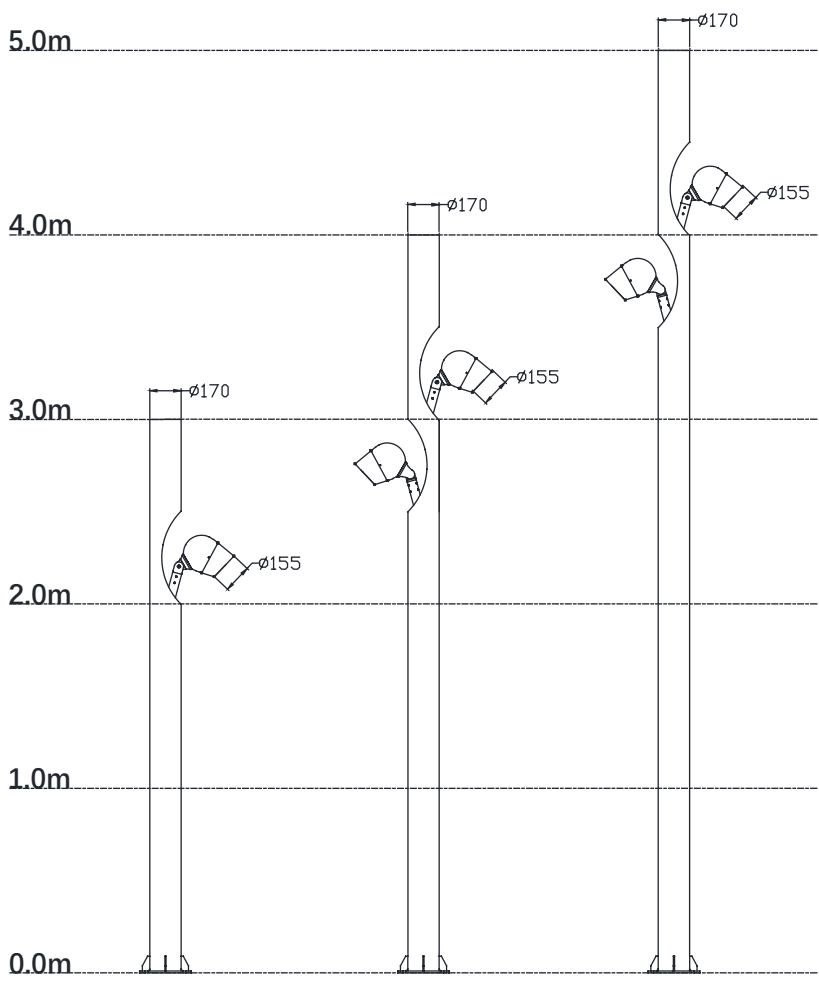
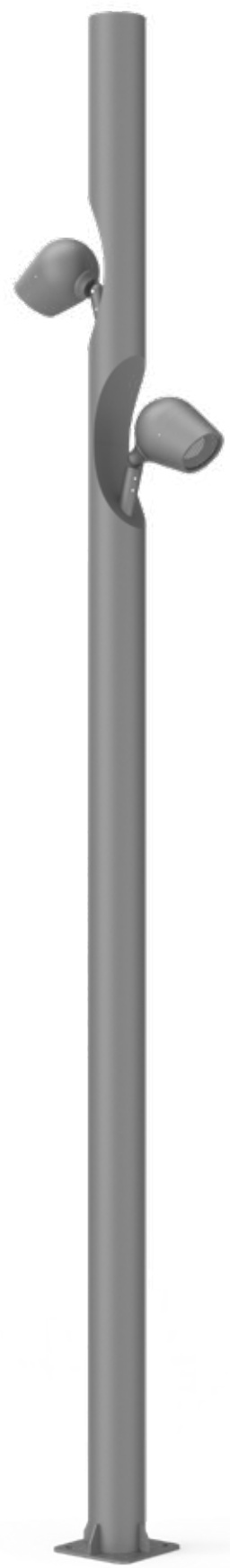


9004

9006

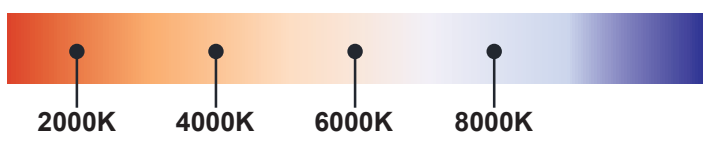
9007

9016



DM-DT59a

Color temperature

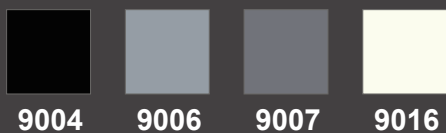


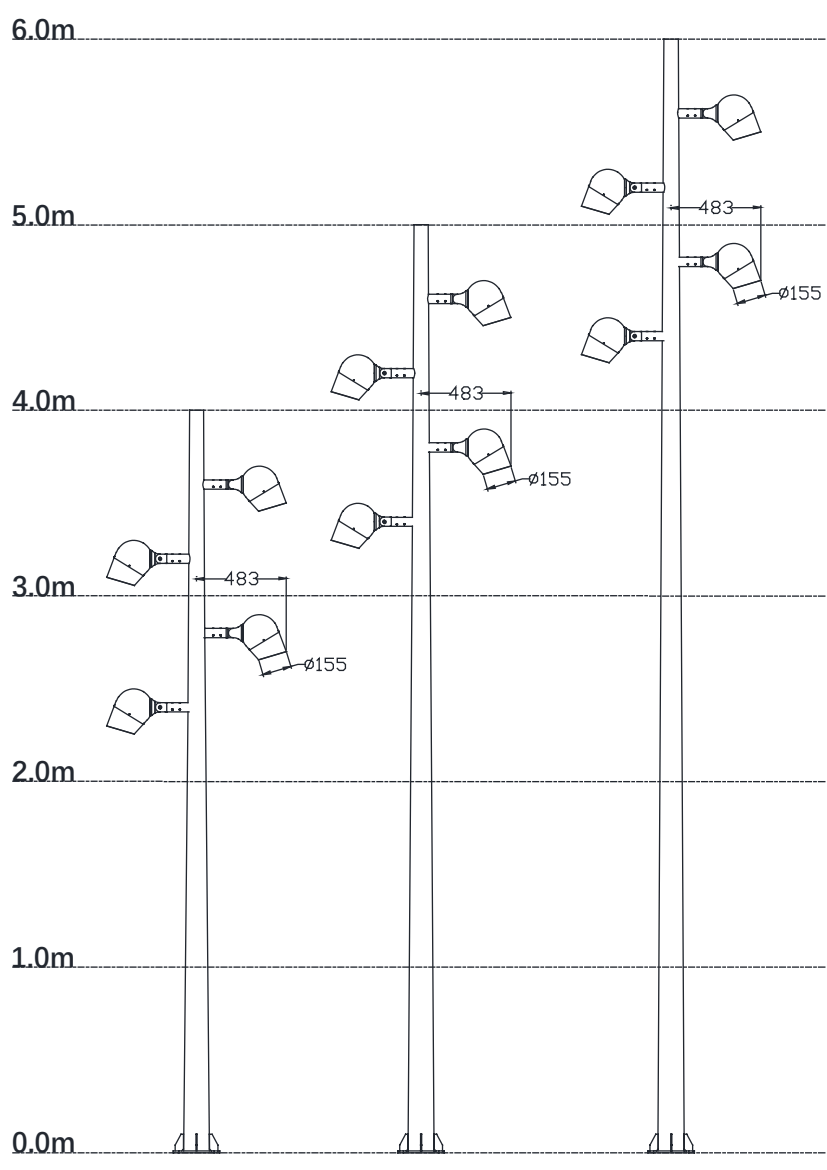


Rated power	30W~60W	Power Factor	> 0.9
LED Quantity	30-60pcs	Life	> 50000H
Color Temperature	6000k/4000k/3000k	THD	< 15%
Luminous Flux	2700lm~5400lm	Frequency Range	50/60HZ
Input Voltage	AC220~240V	Installation Pipe Diameter	/
Protection Grade	IP65	CRI	> 90
Operating Temperature	-30~50°C		

DM-DT59a

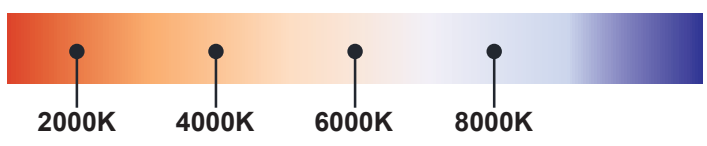
Standard colours





DM-DT60a

Colo(u)r temperature





Rated power	30W~60W	Power Factor	> 0.9
LED Quantity	30-60pcs	Life	> 50000H
Color Temperature	6000k/4000k/3000k	THD	< 15%
Luminous Flux	2700lm~5400lm	Frequency Range	50/60HZ
Input Voltage	AC220~240V	Installation Pipe Diameter	/
Protection Grade	IP65	CRI	> 90
Operating Temperature	-30~50°C		

DM-DT60a

Standard colours

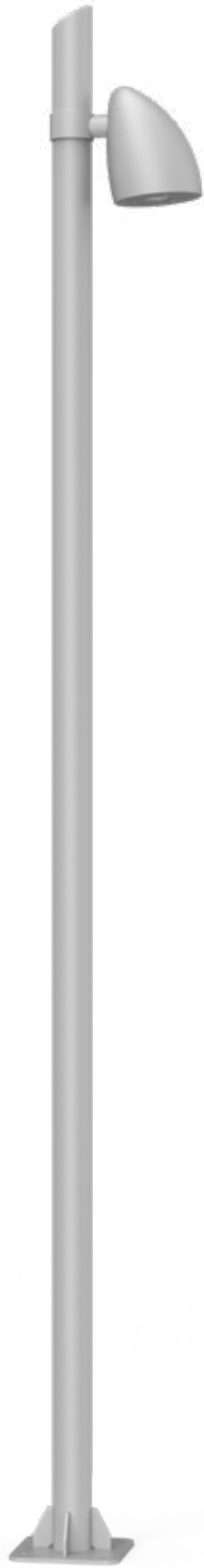
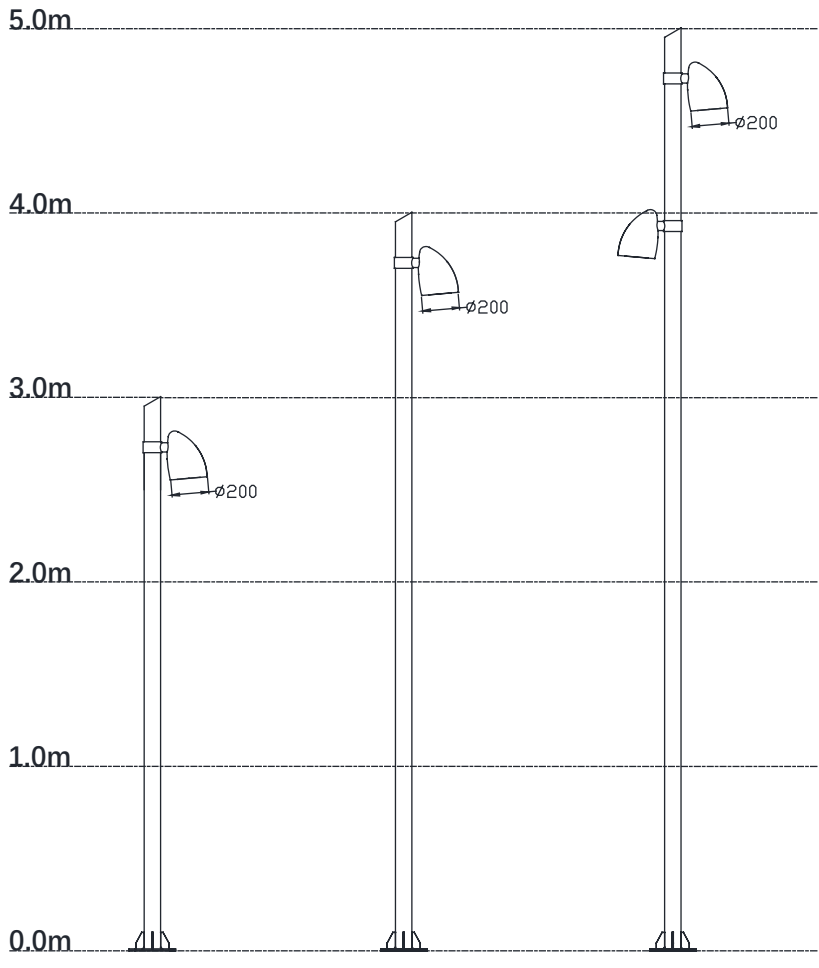


9004

9006

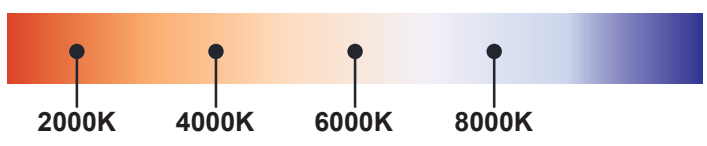
9007

9016



DM-DT61a

Colo(u)r temperature

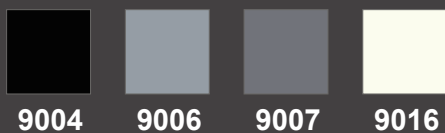




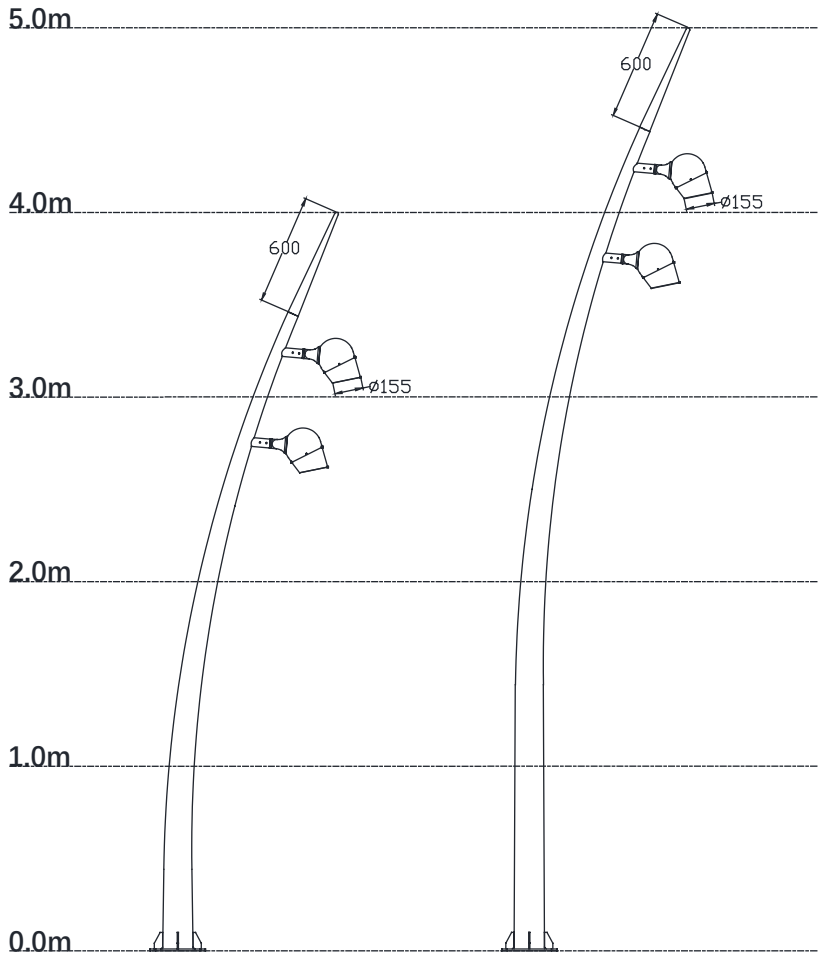
Rated power	30W~60W	Power Factor	> 0.9
LED Quantity	30-60pcs	Life	> 50000H
Color Temperature	6000k/4000k/3000k	THD	< 15%
Luminous Flux	2700lm~5400lm	Frequency Range	50/60HZ
Input Voltage	AC220~240V	Installation Pipe Diameter	/
Protection Grade	IP65	CRI	> 90
Operating Temperature	-30~50°C		

DM-DT61a

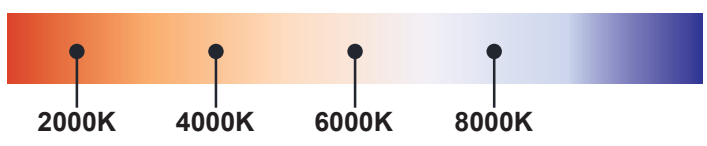
Standard colours



DM-DT62a



Colo(u)r temperature

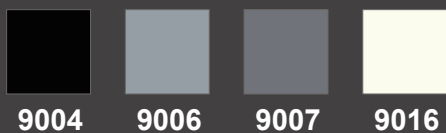




Rated power	30W~60W	Power Factor	> 0.9
LED Quantity	30-60pcs	Life	> 50000H
Color Temperature	6000k/4000k/3000k	THD	< 15%
Luminous Flux	2700lm~5400lm	Frequency Range	50/60HZ
Input Voltage	AC220~240V	Installation Pipe Diameter	/
Protection Grade	IP65	CRI	> 90
Operating Temperature	-30~50°C		

DM-DT62a

Standard colours



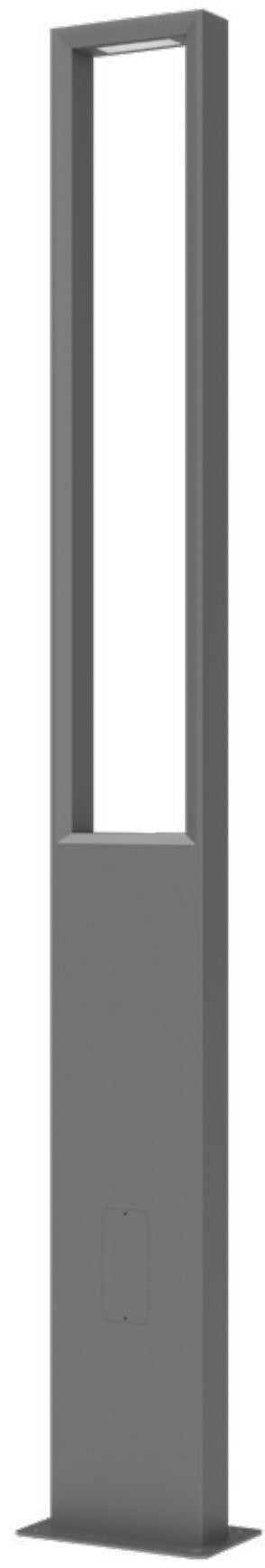
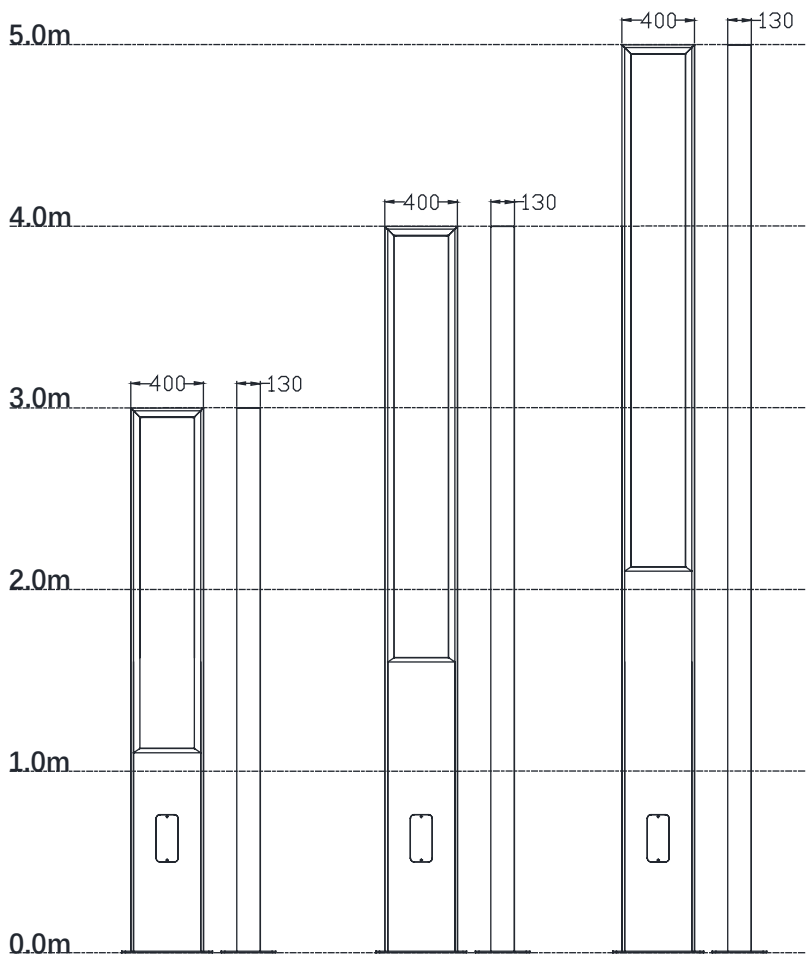
9004

9006

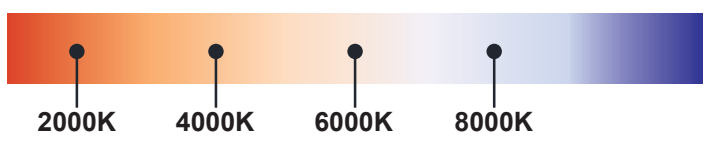
9007

9016

DM-LZ1a



Color temperature





Rated power	30W~60W	Power Factor	> 0.9
LED Quantity	30-60pcs	Life	> 50000H
Color Temperature	6000k/4000k/3000k	THD	< 15%
Luminous Flux	2700lm~5400lm	Frequency Range	50/60HZ
Input Voltage	AC220~240V	Installation Pipe Diameter	/
Protection Grade	IP65	CRI	> 90
Operating Temperature	-30~50°C		

DM-LZ1a

Standard colours



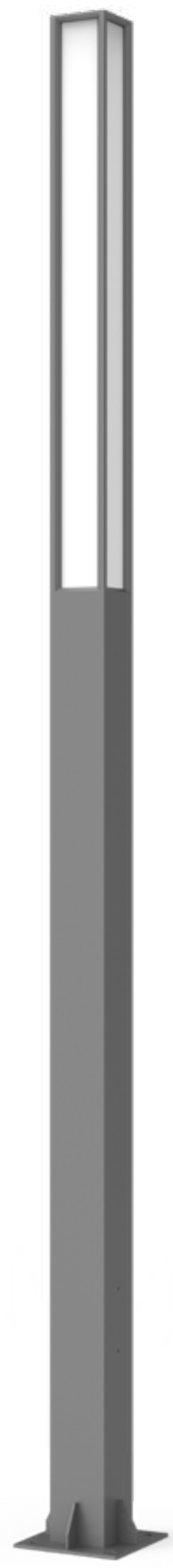
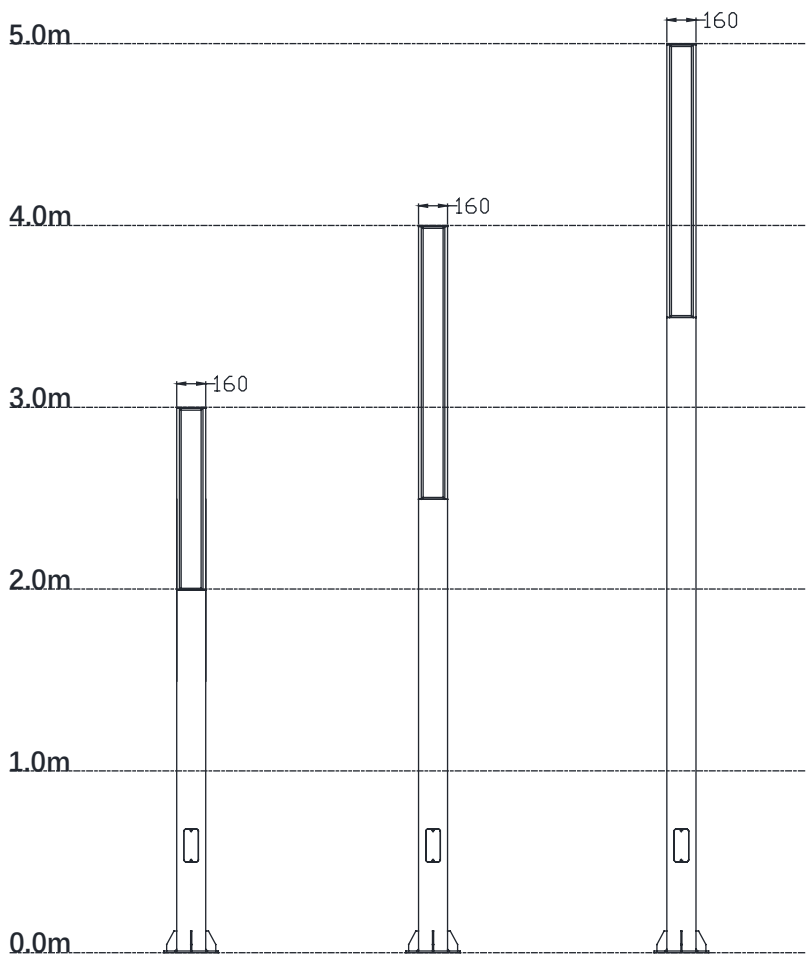
9004

9006

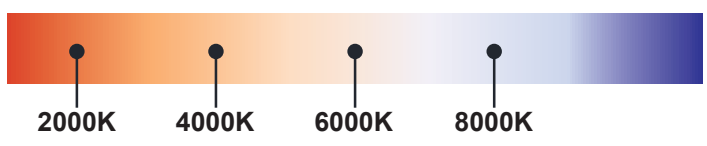
9007

9016

DM-LZ2a



Colo(u)r temperature





Rated power	30W~60W	Power Factor	> 0.9
LED Quantity	30-60pcs	Life	> 50000H
Color Temperature	6000k/4000k/3000k	THD	< 15%
Luminous Flux	2700lm~5400lm	Frequency Range	50/60HZ
Input Voltage	AC220~240V	Installation Pipe Diameter	/
Protection Grade	IP65	CRI	> 90
Operating Temperature	-30~50°C		

DM-LZ2a

Standard colours



9004



9006

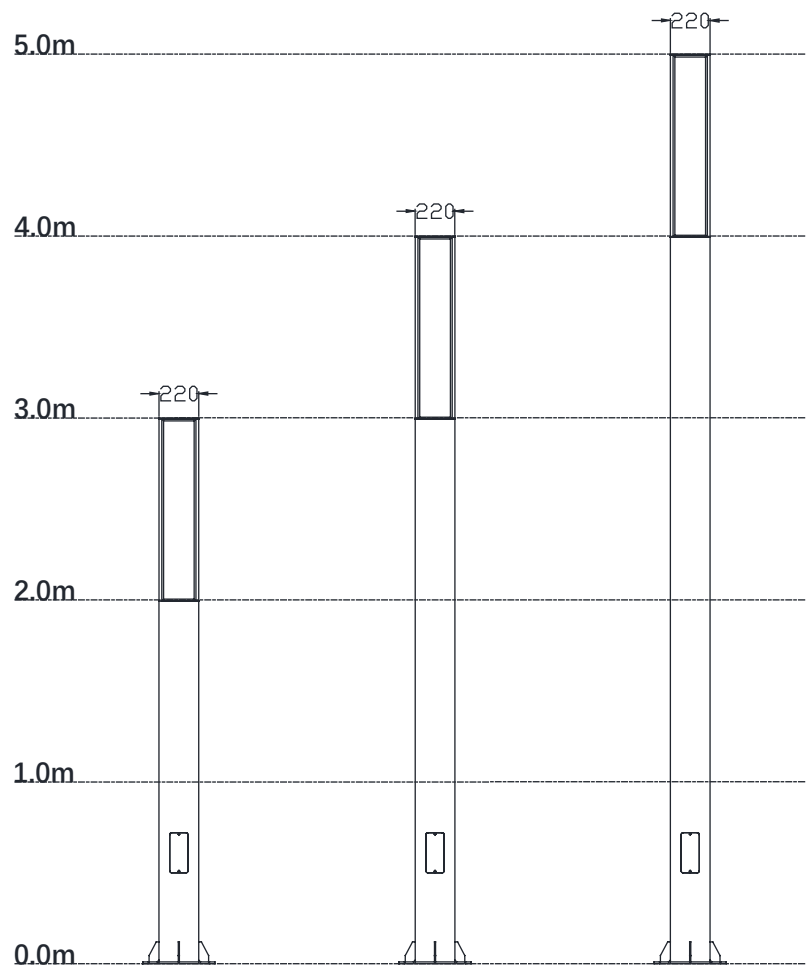


9007

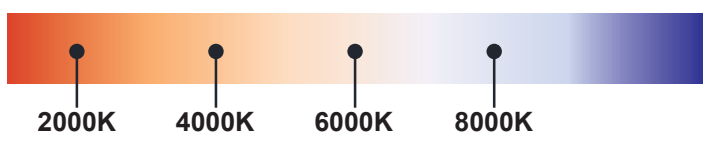


9016

DM-LZ3a



Colo(u)r temperature

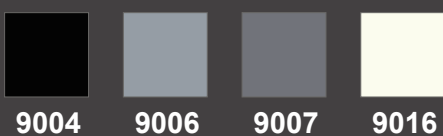




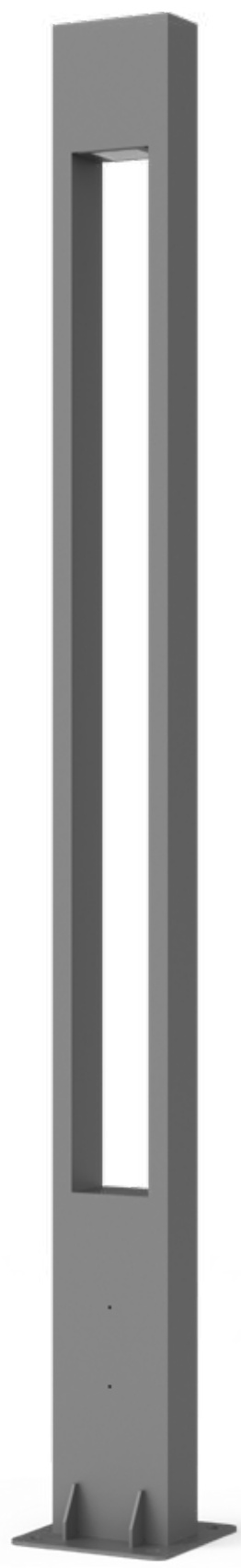
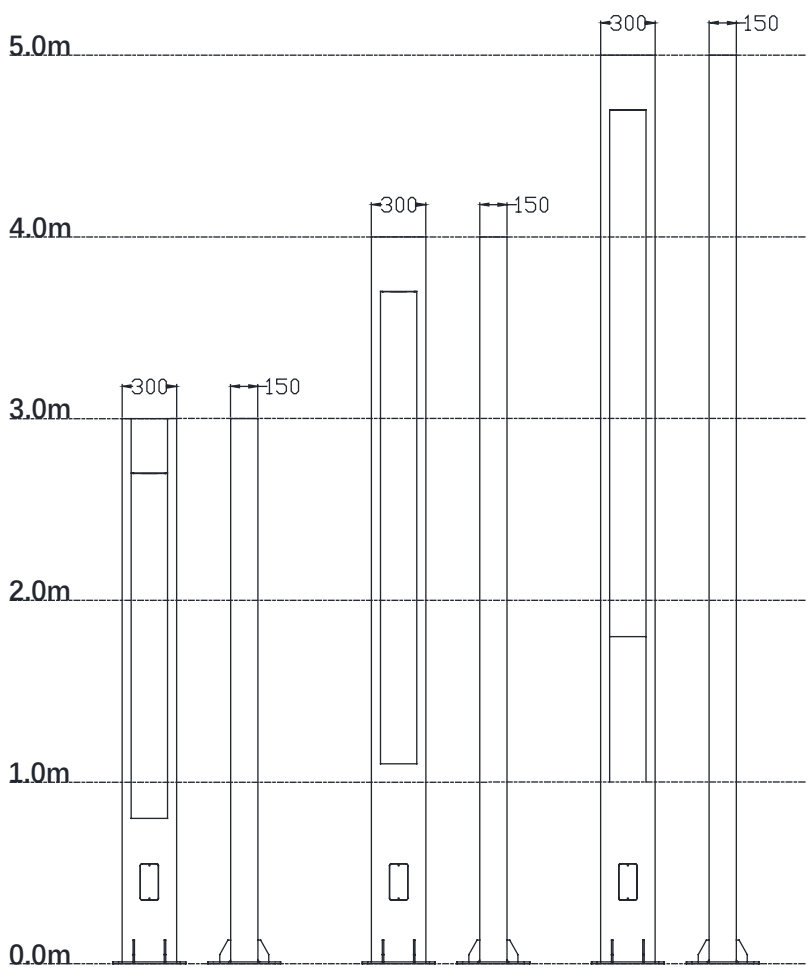
Rated power	30W~60W	Power Factor	> 0.9
LED Quantity	30-60pcs	Life	> 50000H
Color Temperature	6000k/4000k/3000k	THD	< 15%
Luminous Flux	2700lm~5400lm	Frequency Range	50/60HZ
Input Voltage	AC220~240V	Installation Pipe Diameter	/
Protection Grade	IP65	CRI	> 90
Operating Temperature	-30~50°C		

DM-LZ3a

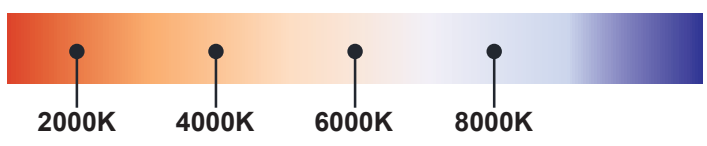
Standard colours



DM-LZ4a



Colo(u)r temperature

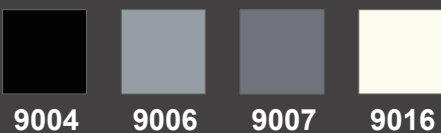




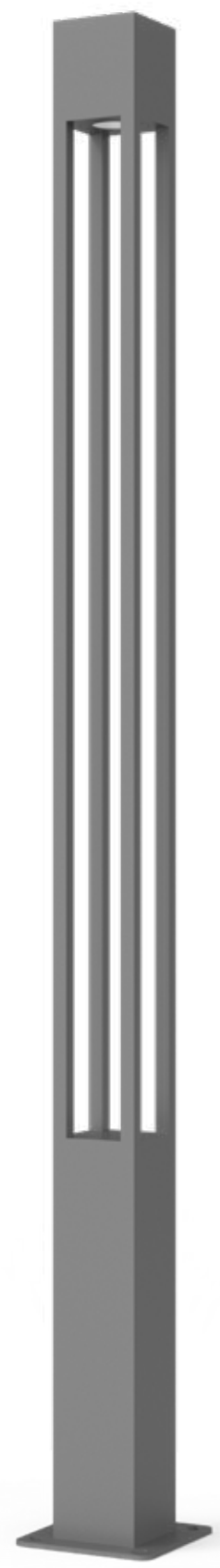
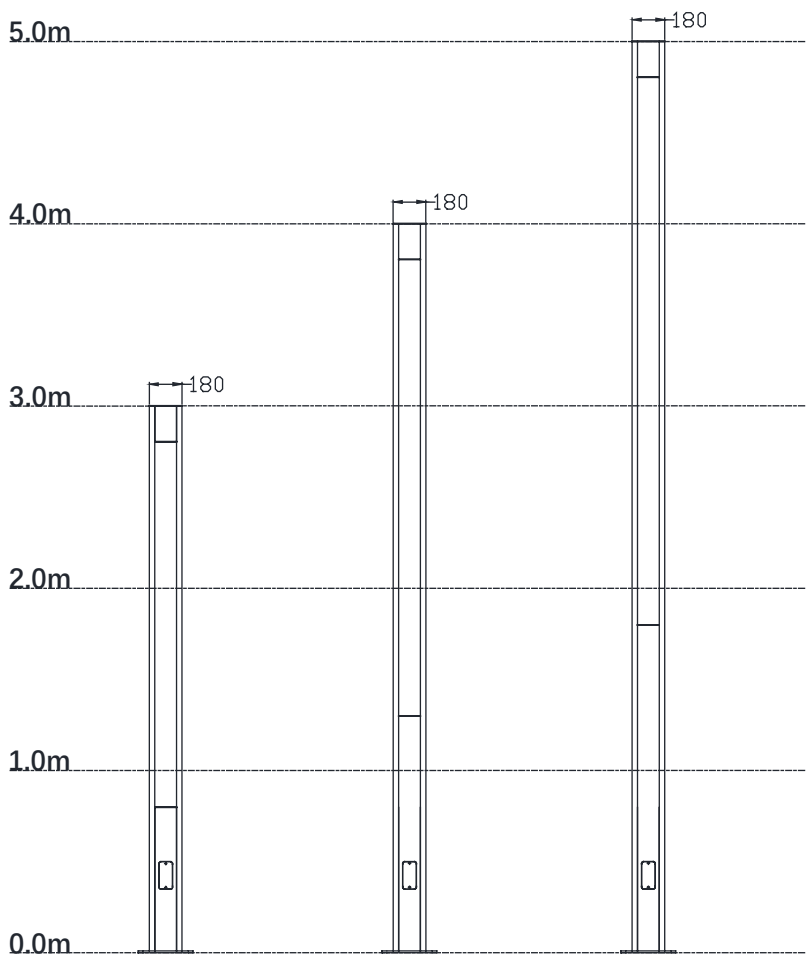
Rated power	30W~60W	Power Factor	> 0.9
LED Quantity	30-60pcs	Life	> 50000H
Color Temperature	6000k/4000k/3000k	THD	< 15%
Luminous Flux	2700lm~5400lm	Frequency Range	50/60HZ
Input Voltage	AC220~240V	Installation Pipe Diameter	/
Protection Grade	IP65	CRI	> 90
Operating Temperature	-30~50°C		

DM-LZ4a

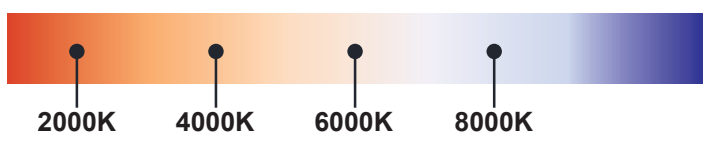
Standard colours



DM-LZ5a



Color temperature

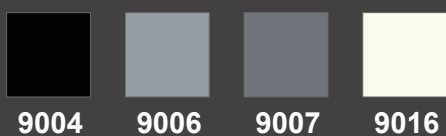




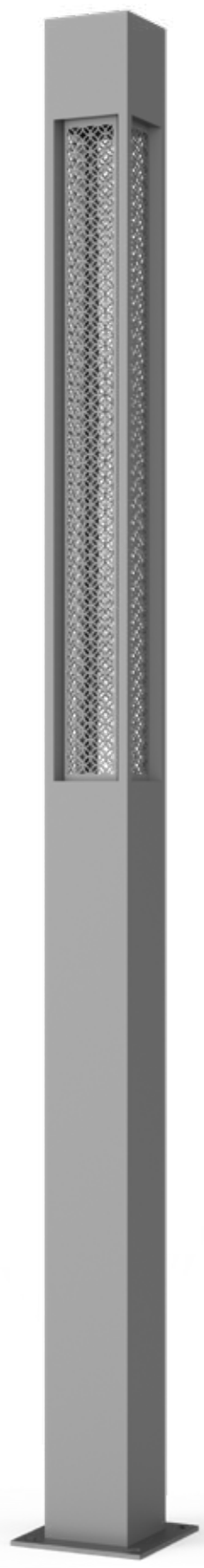
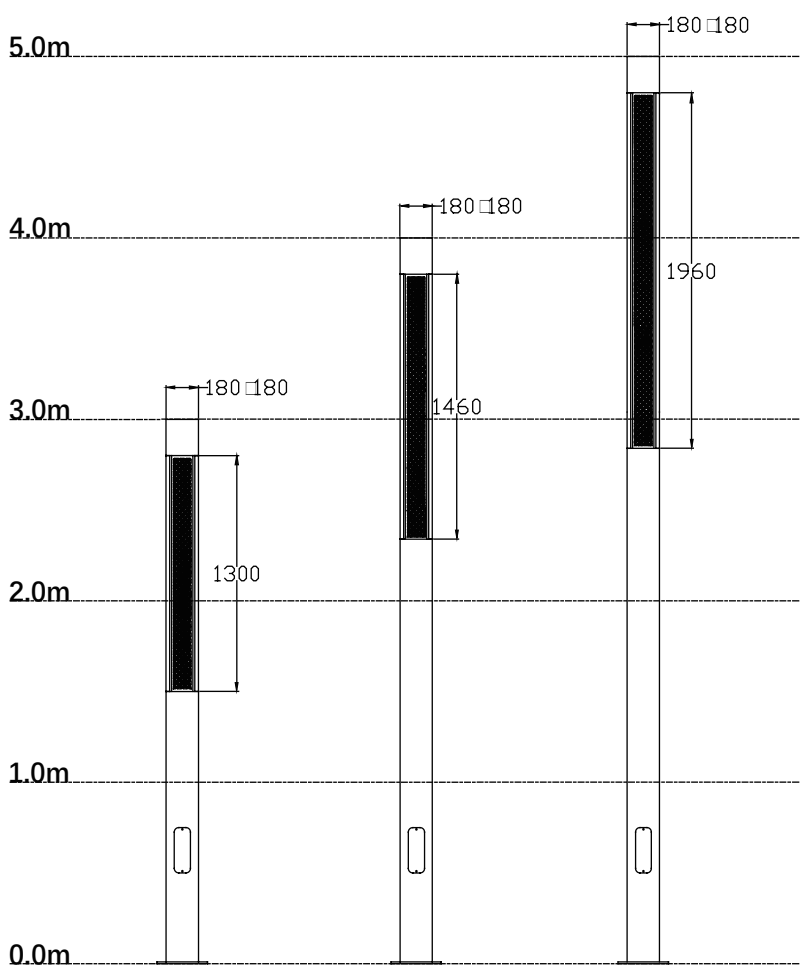
Rated power	30W~60W	Power Factor	> 0.9
LED Quantity	30-60pcs	Life	> 50000H
Color Temperature	6000k/4000k/3000k	THD	< 15%
Luminous Flux	2700lm~5400lm	Frequency Range	50/60HZ
Input Voltage	AC220~240V	Installation Pipe Diameter	/
Protection Grade	IP65	CRI	> 90
Operating Temperature	-30~50°C		

DM-LZ5a

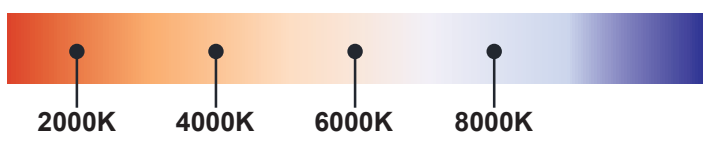
Standard colours



DM-LZ6a



Colo(u)r temperature

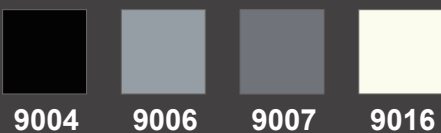


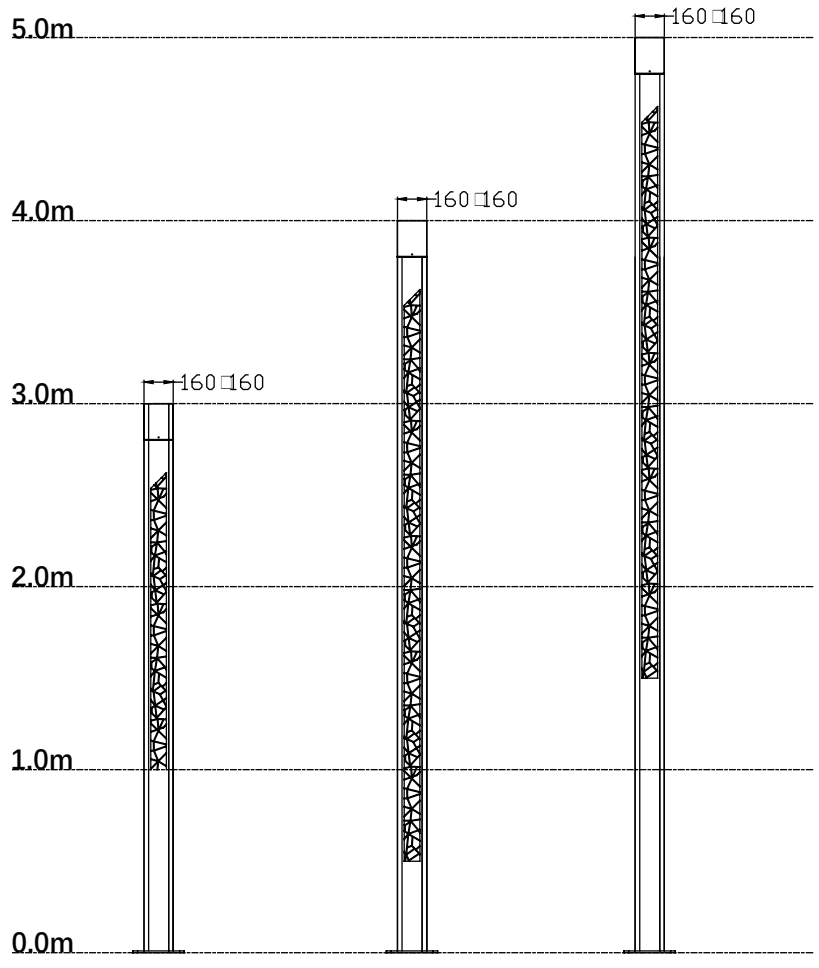
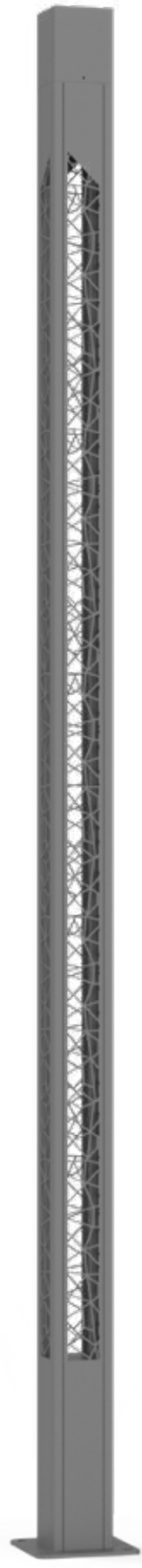


Rated power	30W~60W	Power Factor	> 0.9
LED Quantity	30-60pcs	Life	> 50000H
Color Temperature	6000k/4000k/3000k	THD	< 15%
Luminous Flux	2700lm~5400lm	Frequency Range	50/60HZ
Input Voltage	AC220~240V	Installation Pipe Diameter	/
Protection Grade	IP65	CRI	> 90
Operating Temperature	-30~50°C		

DM-LZ6a

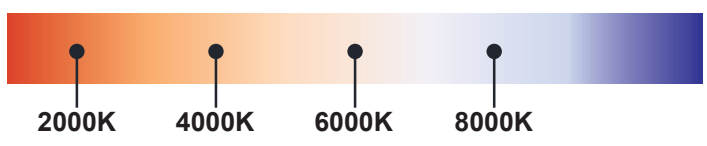
Standard colours





DM-LZ7a

Color temperature

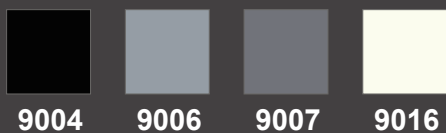




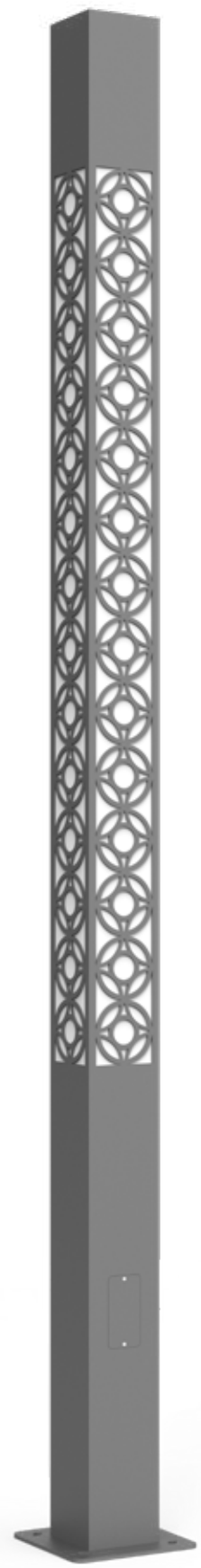
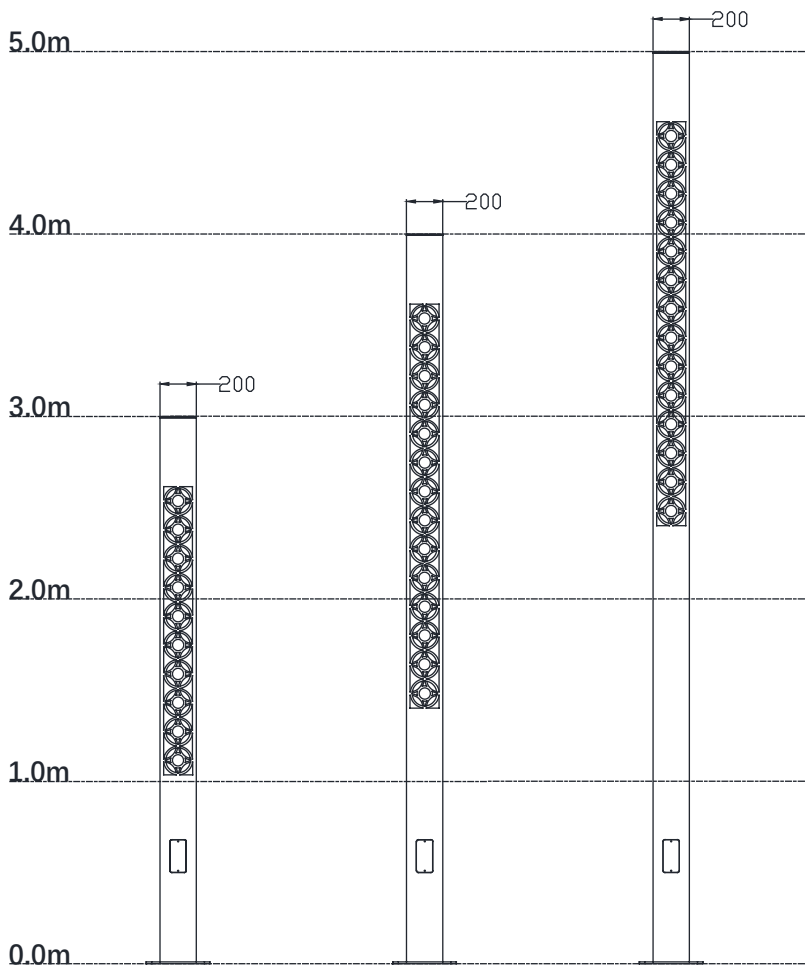
Rated power	30W~60W	Power Factor	> 0.9
LED Quantity	30-60pcs	Life	> 50000H
Color Temperature	6000k/4000k/3000k	THD	< 15%
Luminous Flux	2700lm~5400lm	Frequency Range	50/60HZ
Input Voltage	AC220~240V	Installation Pipe Diameter	/
Protection Grade	IP65	CRI	> 90
Operating Temperature	-30~50°C		

DM-LZ7a

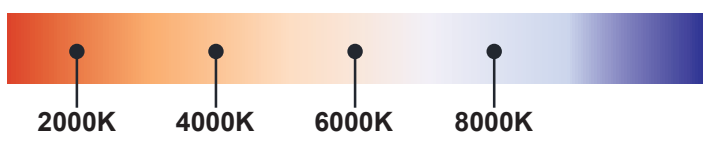
Standard colours



DM-LZ8a



Color temperature

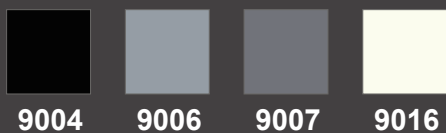




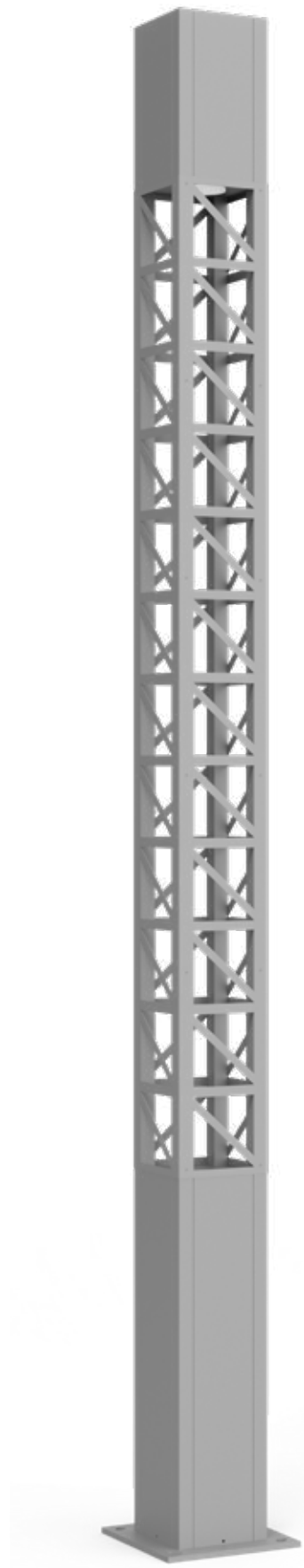
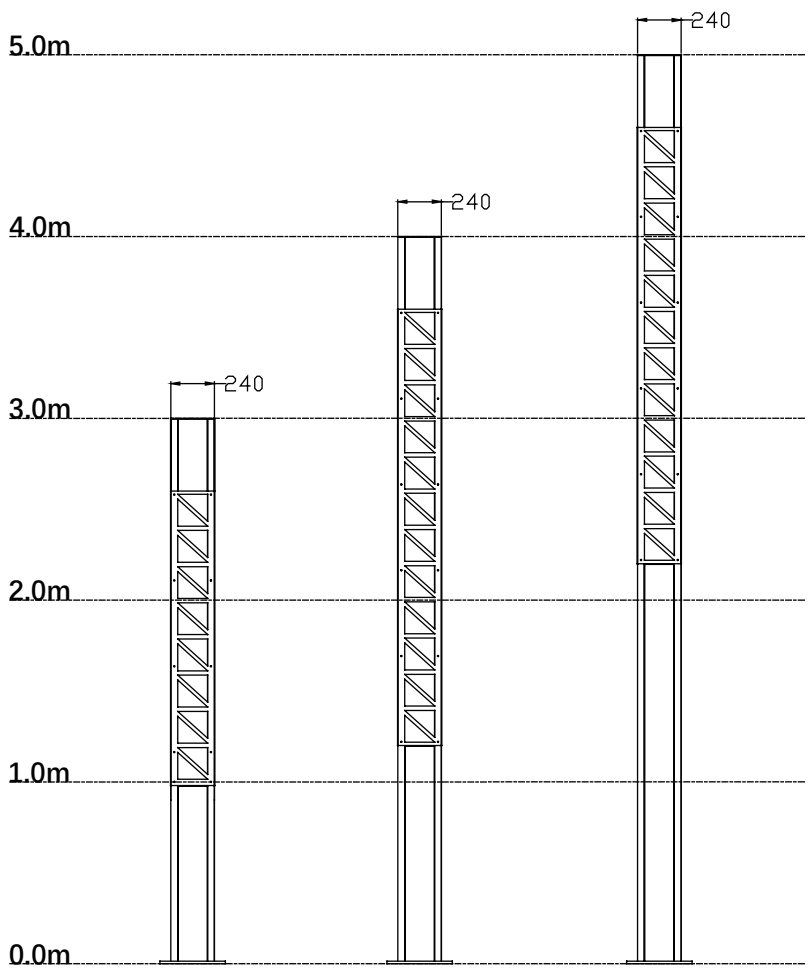
Rated power	30W~60W	Power Factor	> 0.9
LED Quantity	30-60pcs	Life	> 50000H
Color Temperature	6000k/4000k/3000k	THD	< 15%
Luminous Flux	2700lm~5400lm	Frequency Range	50/60HZ
Input Voltage	AC220~240V	Installation Pipe Diameter	/
Protection Grade	IP65	CRI	> 90
Operating Temperature	-30~50°C		

DM-LZ8a

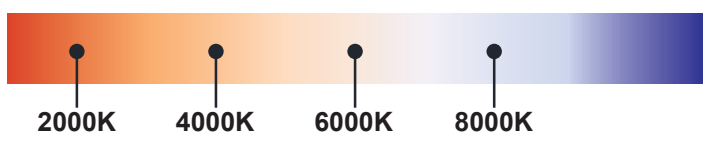
Standard colours



DM-LZ9a



Colo(u)r temperature

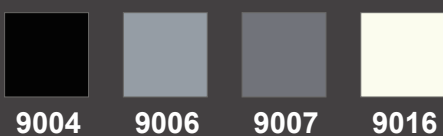




Rated power	30W~60W	Power Factor	> 0.9
LED Quantity	30-60pcs	Life	> 50000H
Color Temperature	6000k/4000k/3000k	THD	< 15%
Luminous Flux	2700lm~5400lm	Frequency Range	50/60HZ
Input Voltage	AC220~240V	Installation Pipe Diameter	/
Protection Grade	IP65	CRI	> 90
Operating Temperature	-30~50°C		

DM-LZ9a

Standard colours



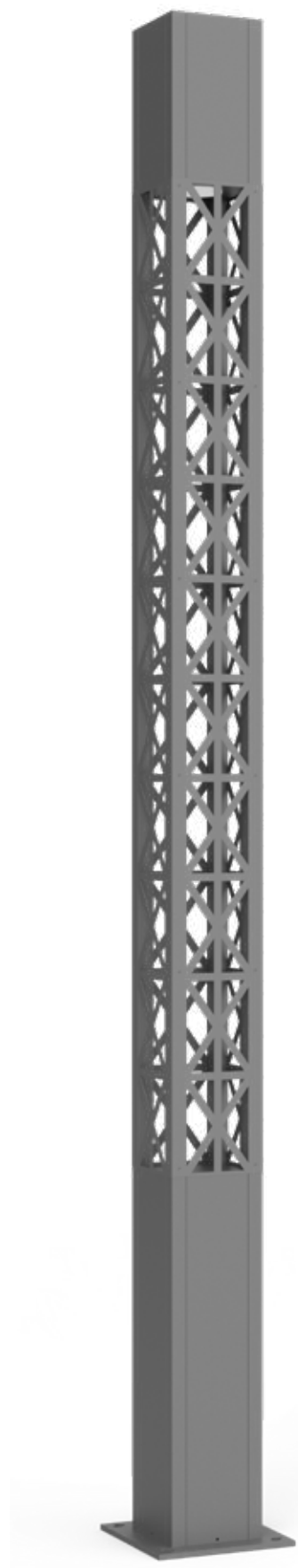
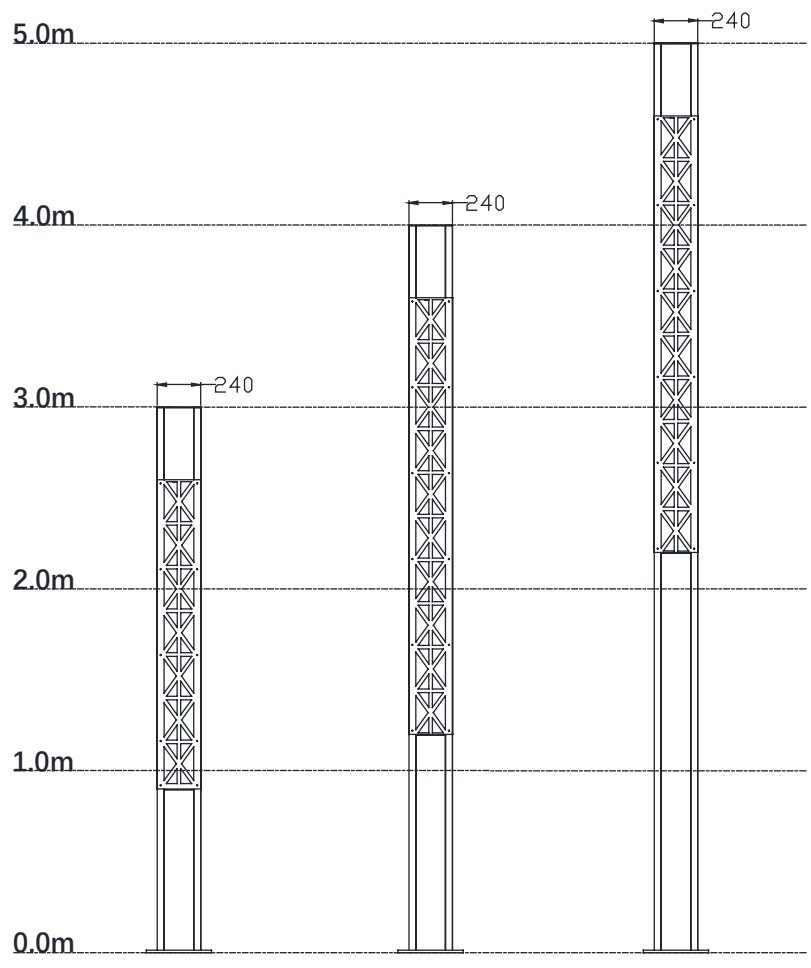
9004

9006

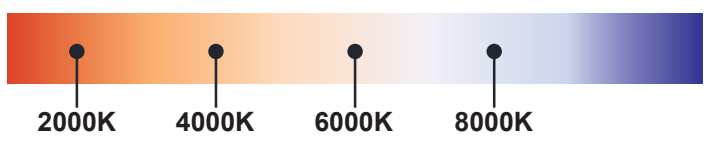
9007

9016

DM-LZ10a



Colo(u)r temperature





Rated power	30W~60W	Power Factor	> 0.9
LED Quantity	30-60pcs	Life	> 50000H
Color Temperature	6000k/4000k/3000k	THD	< 15%
Luminous Flux	2700lm~5400lm	Frequency Range	50/60HZ
Input Voltage	AC220~240V	Installation Pipe Diameter	/
Protection Grade	IP65	CRI	> 90
Operating Temperature	-30~50°C		

DM-LZ10a

Standard colours



9004



9006

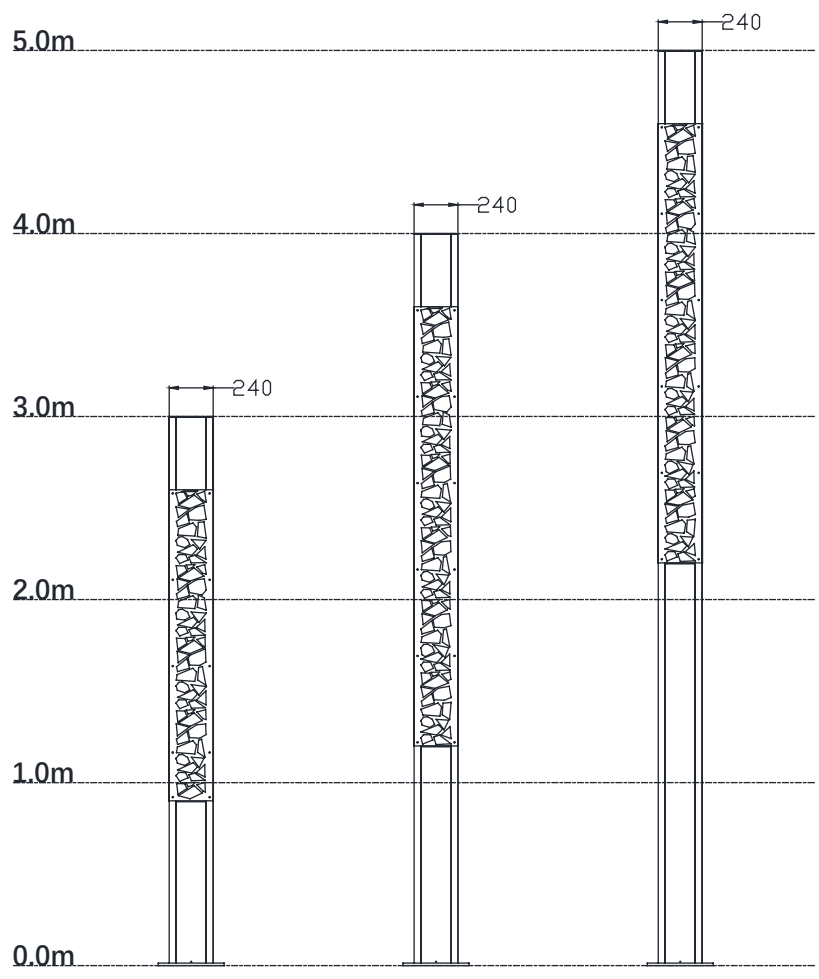


9007

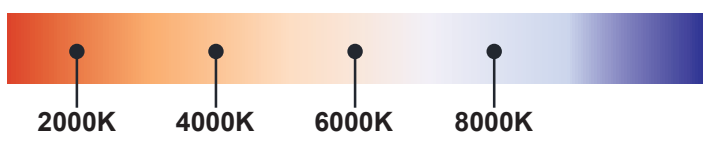


9016

DM-LZ11a



Colo(u)r temperature

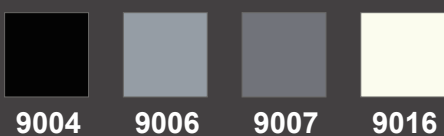




Rated power	30W~60W	Power Factor	> 0.9
LED Quantity	30-60pcs	Life	> 50000H
Color Temperature	6000k/4000k/3000k	THD	< 15%
Luminous Flux	2700lm~5400lm	Frequency Range	50/60HZ
Input Voltage	AC220~240V	Installation Pipe Diameter	/
Protection Grade	IP65	CRI	> 90
Operating Temperature	-30~50°C		

DM-LZ11a

Standard colours



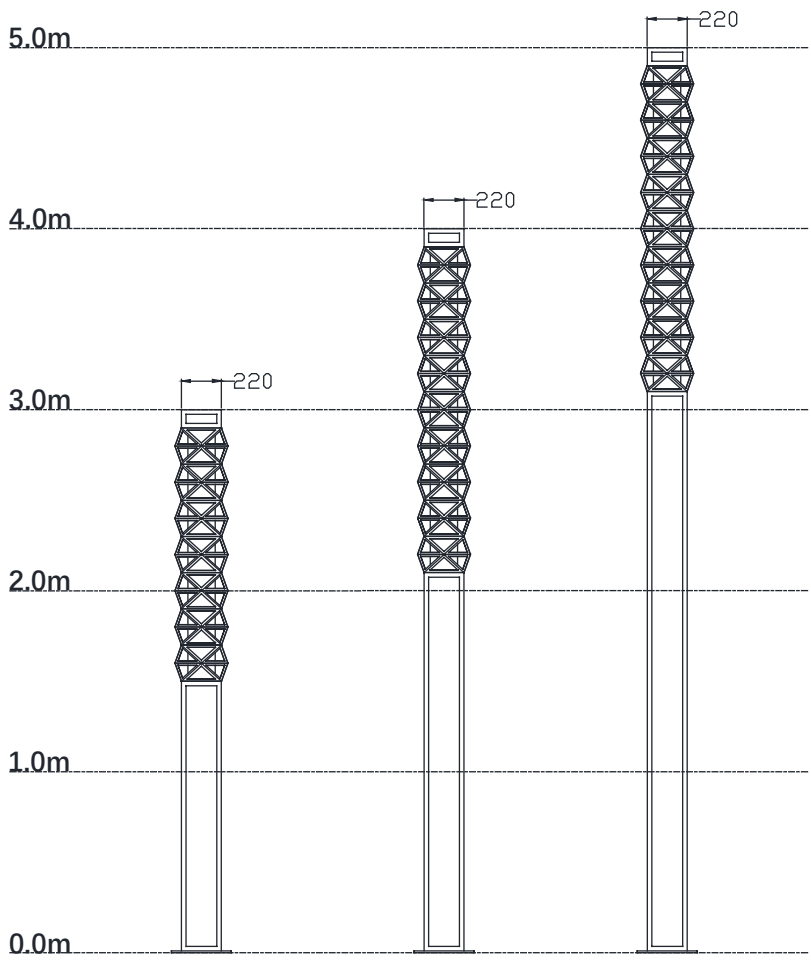
9004

9006

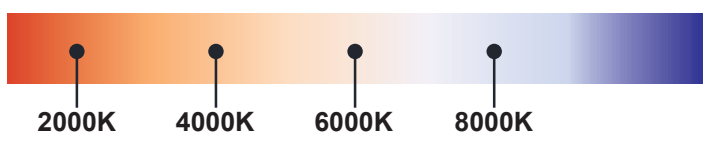
9007

9016

DM-LZ12a



Color temperature

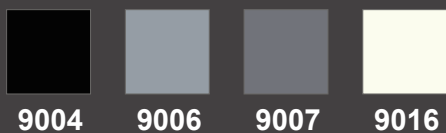


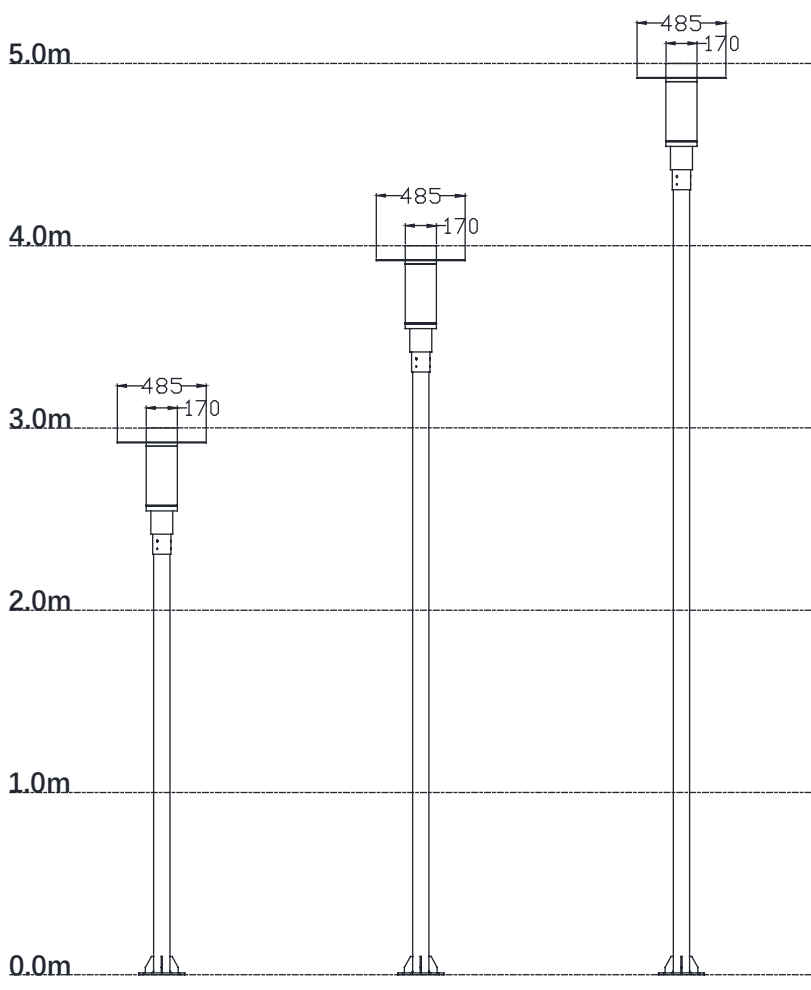
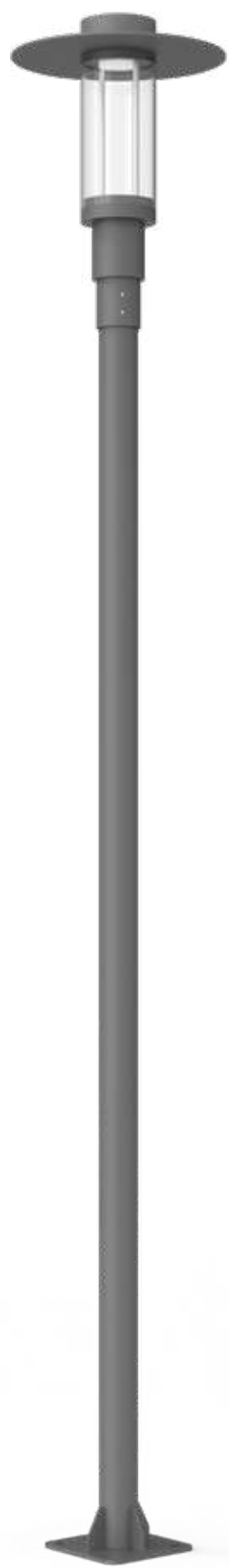


Rated power	30W~60W	Power Factor	> 0.9
LED Quantity	30-60pcs	Life	> 50000H
Color Temperature	6000k/4000k/3000k	THD	< 15%
Luminous Flux	2700lm~5400lm	Frequency Range	50/60HZ
Input Voltage	AC220~240V	Installation Pipe Diameter	/
Protection Grade	IP65	CRI	> 90
Operating Temperature	-30~50°C		

DM-LZ12a

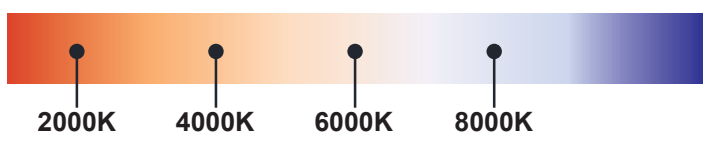
Standard colours





DM-MF1a

Colo(u)r temperature

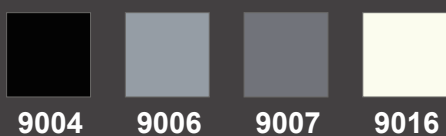




Rated power	30W~60W	Power Factor	> 0.9
LED Quantity	30-60pcs	Life	> 50000H
Color Temperature	6000k/4000k/3000k	THD	< 15%
Luminous Flux	2700lm~5400lm	Frequency Range	50/60HZ
Input Voltage	AC220~240V	Installation Pipe Diameter	/
Protection Grade	IP65	CRI	> 90
Operating Temperature	-30~50°C		

DM-MF1a

Standard colours

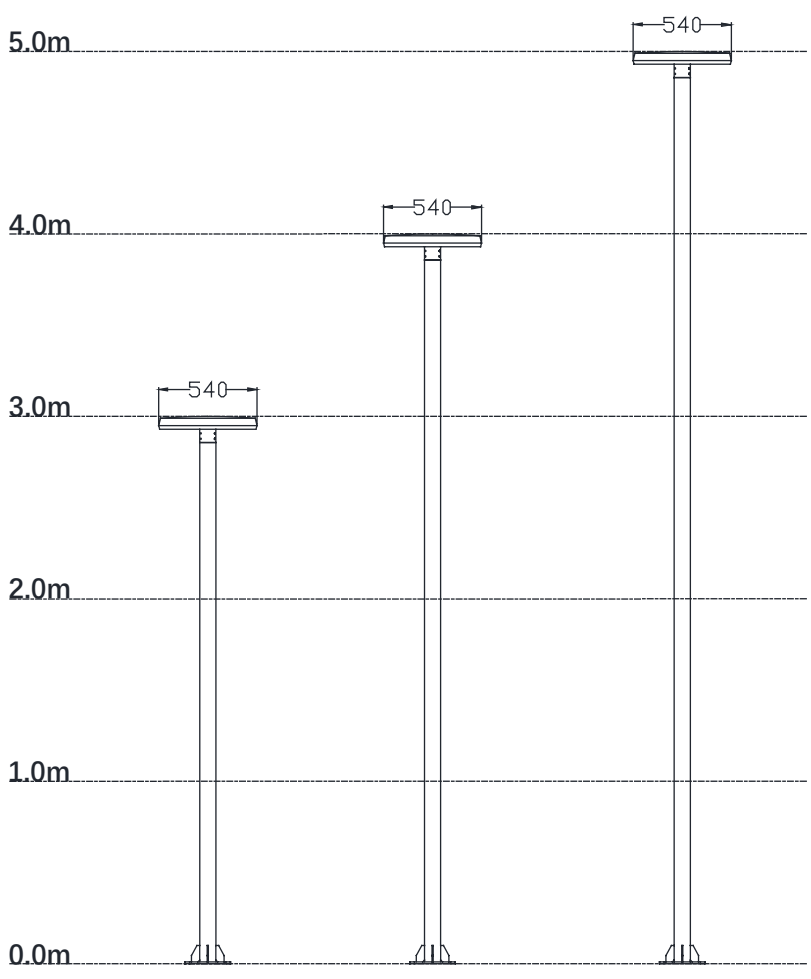
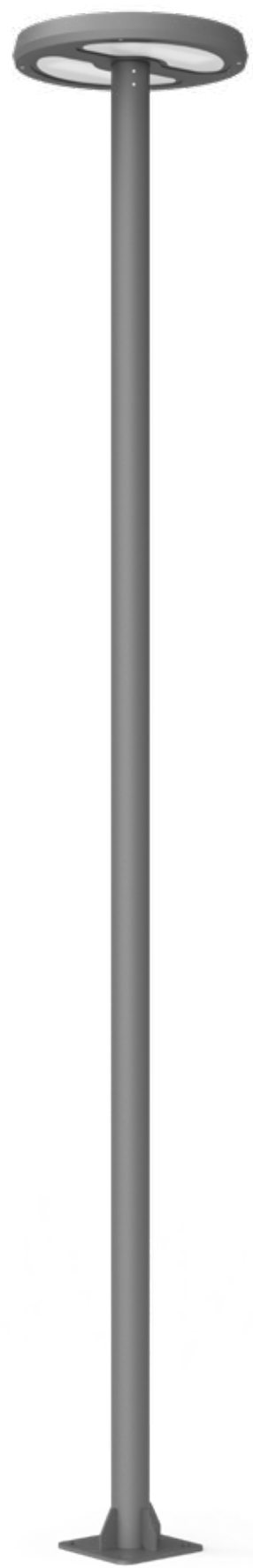


9004

9006

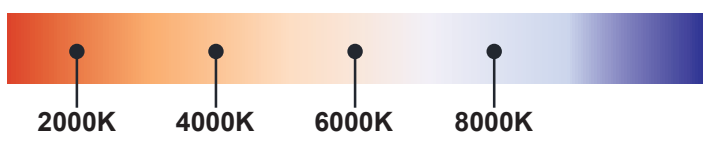
9007

9016



DM-MF2a

Colo(u)r temperature

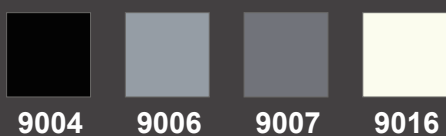


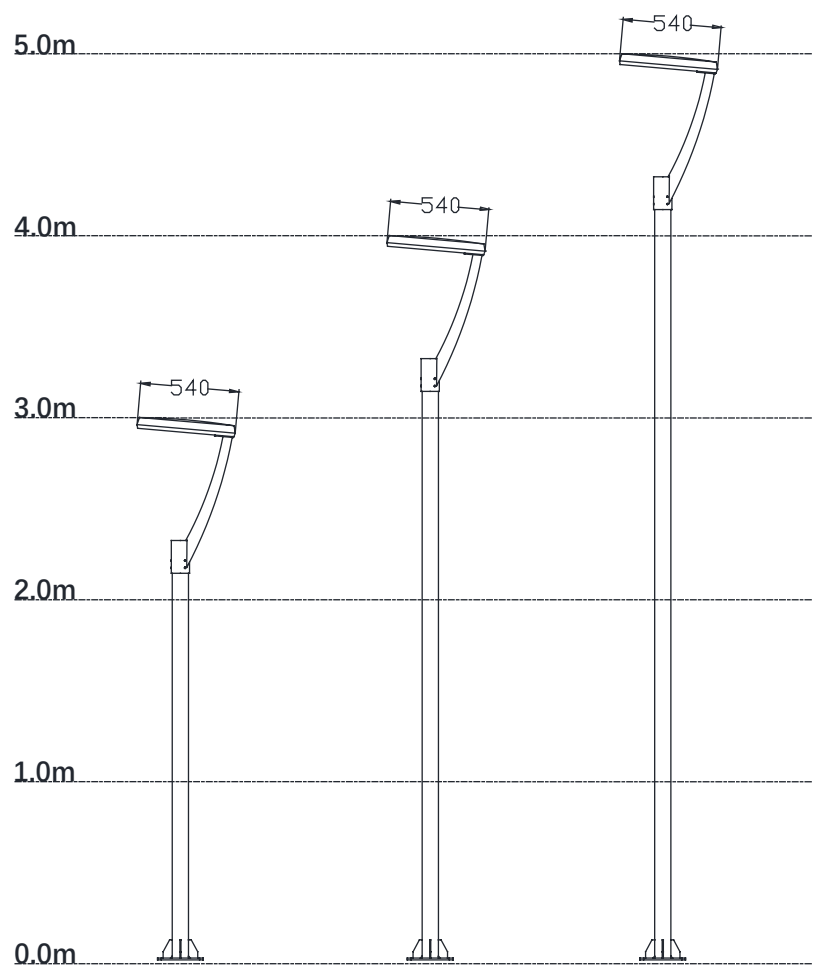


Rated power	30W~60W	Power Factor	> 0.9
LED Quantity	30-60pcs	Life	> 50000H
Color Temperature	6000k/4000k/3000k	THD	< 15%
Luminous Flux	2700lm~5400lm	Frequency Range	50/60HZ
Input Voltage	AC220~240V	Installation Pipe Diameter	/
Protection Grade	IP65	CRI	> 90
Operating Temperature	-30~50°C		

DM-MF2a

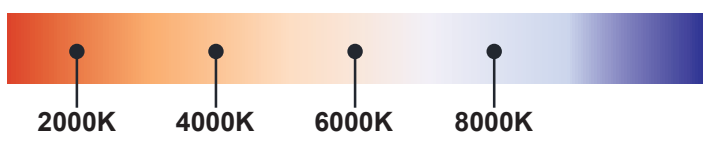
Standard colours





DM-MF3a

Colo(u)r temperature

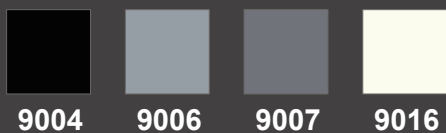




Rated power	30W~60W	Power Factor	> 0.9
LED Quantity	30-60pcs	Life	> 50000H
Color Temperature	6000k/4000k/3000k	THD	< 15%
Luminous Flux	2700lm~5400lm	Frequency Range	50/60HZ
Input Voltage	AC220~240V	Installation Pipe Diameter	/
Protection Grade	IP65	CRI	> 90
Operating Temperature	-30~50°C		

DM-MF3a

Standard colours

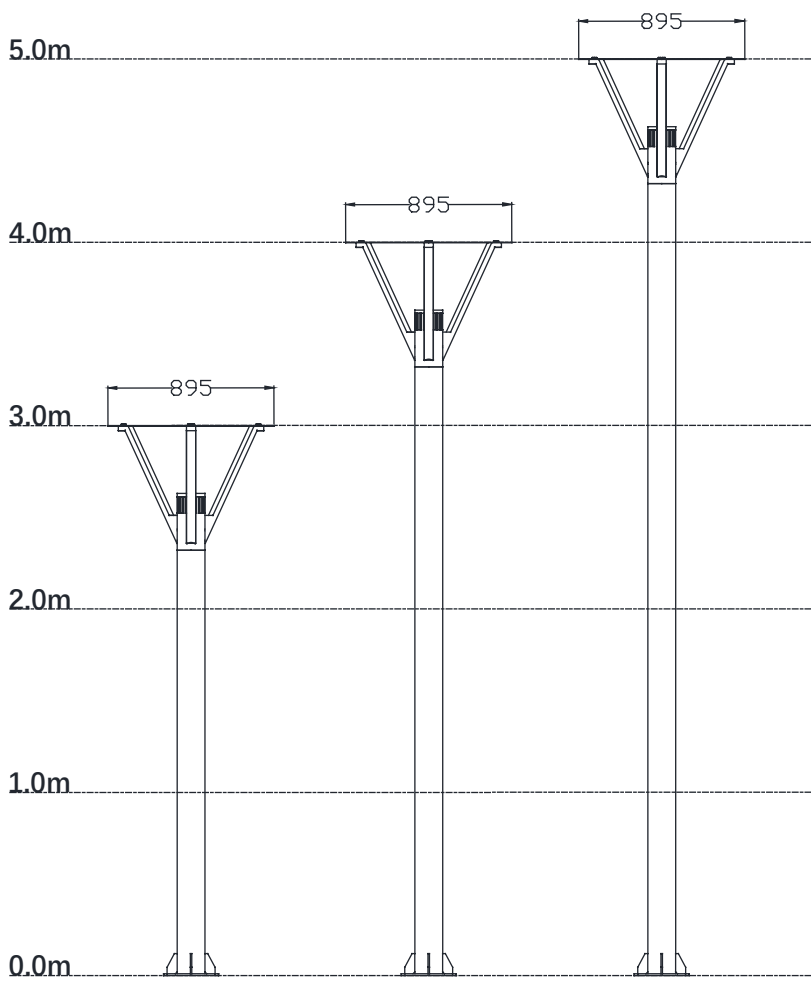
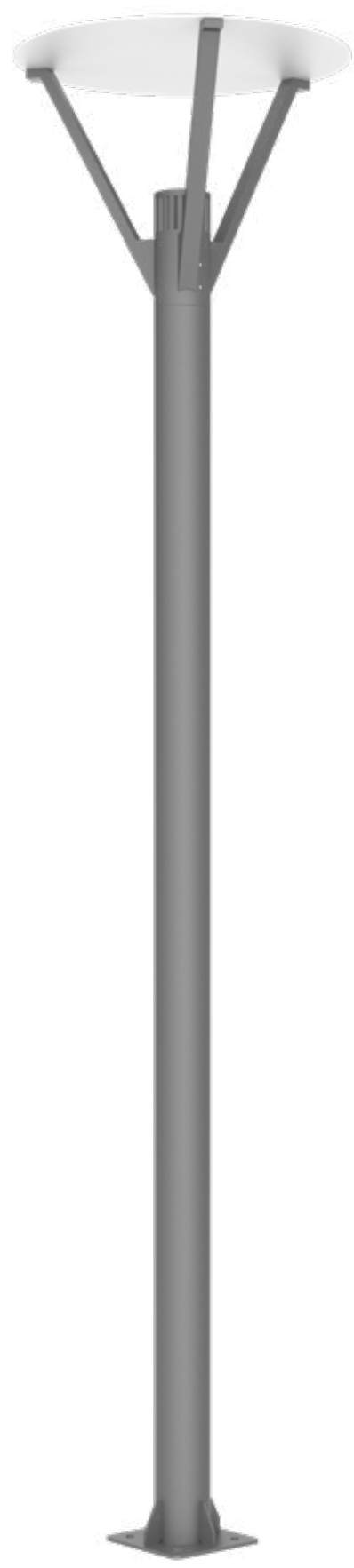


9004

9006

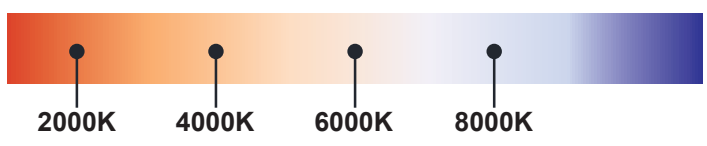
9007

9016



DM-MF4a

Colo(u)r temperature

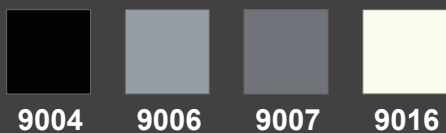




Rated power	30W~60W	Power Factor	> 0.9
LED Quantity	30-60pcs	Life	> 50000H
Color Temperature	6000k/4000k/3000k	THD	< 15%
Luminous Flux	2700lm~5400lm	Frequency Range	50/60HZ
Input Voltage	AC220~240V	Installation Pipe Diameter	/
Protection Grade	IP65	CRI	> 90
Operating Temperature	-30~50°C		

DM-MF4a

Standard colours

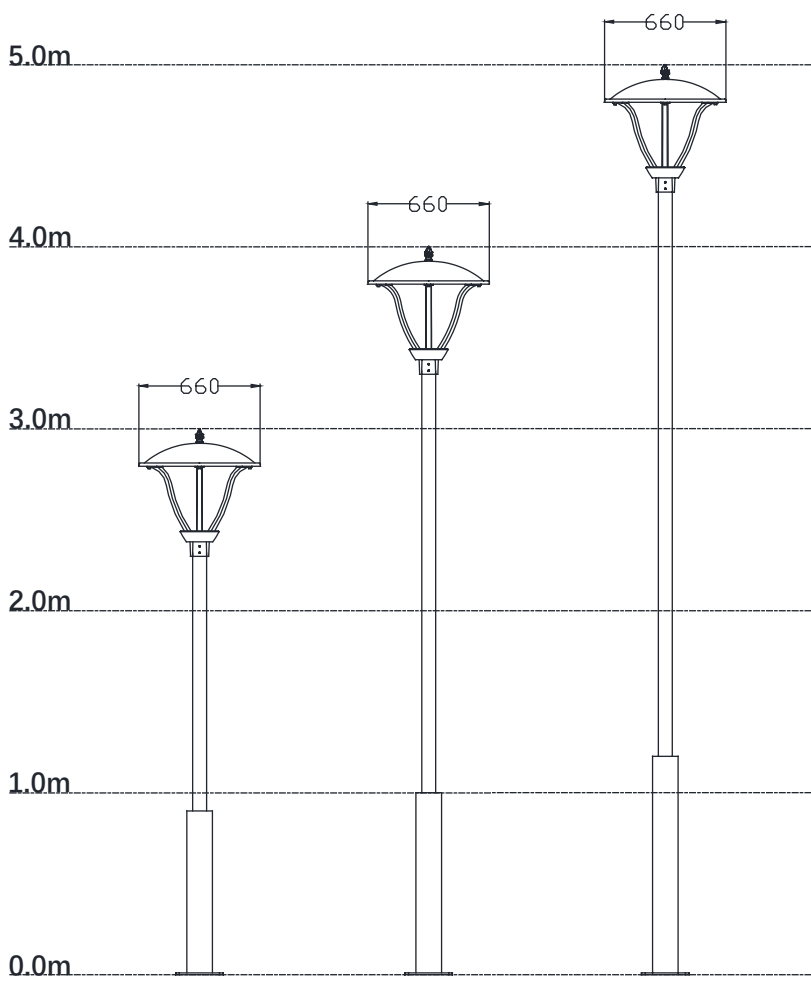


9004

9006

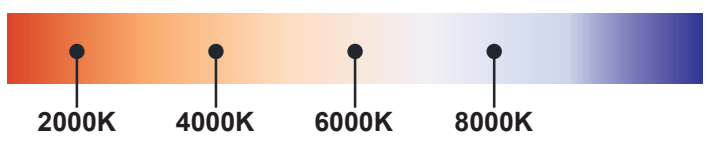
9007

9016



DM-MF5a

Colo(u)r temperature

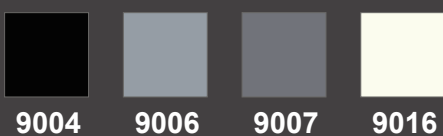


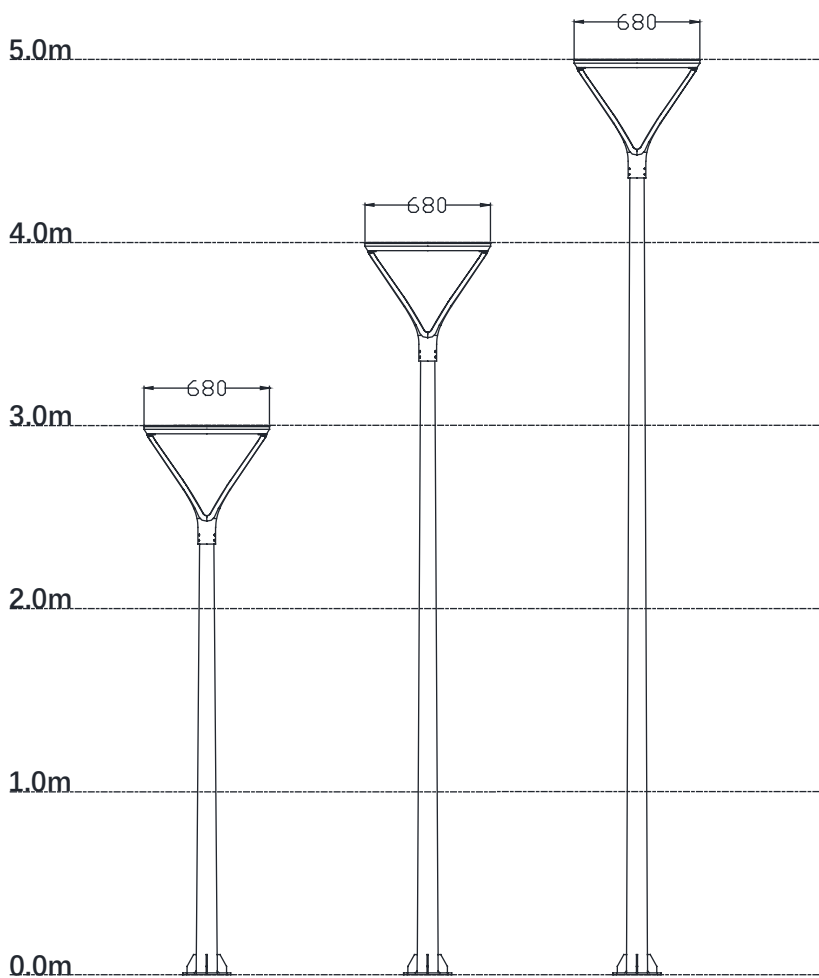


Rated power	30W~60W	Power Factor	> 0.9
LED Quantity	30-60pcs	Life	> 50000H
Color Temperature	6000k/4000k/3000k	THD	< 15%
Luminous Flux	2700lm~5400lm	Frequency Range	50/60HZ
Input Voltage	AC220~240V	Installation Pipe Diameter	/
Protection Grade	IP65	CRI	> 90
Operating Temperature	-30~50°C		

DM-MF5a

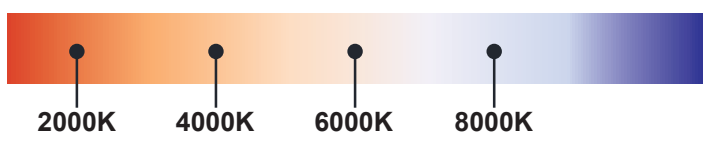
Standard colours





DM-MF6a

Colo(u)r temperature

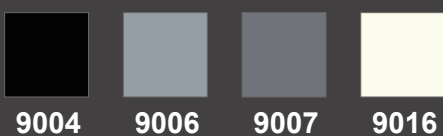




Rated power	30W~60W	Power Factor	> 0.9
LED Quantity	30-60pcs	Life	> 50000H
Color Temperature	6000k/4000k/3000k	THD	< 15%
Luminous Flux	2700lm~5400lm	Frequency Range	50/60HZ
Input Voltage	AC220~240V	Installation Pipe Diameter	/
Protection Grade	IP65	CRI	> 90
Operating Temperature	-30~50°C		

DM-M6a

Standard colours

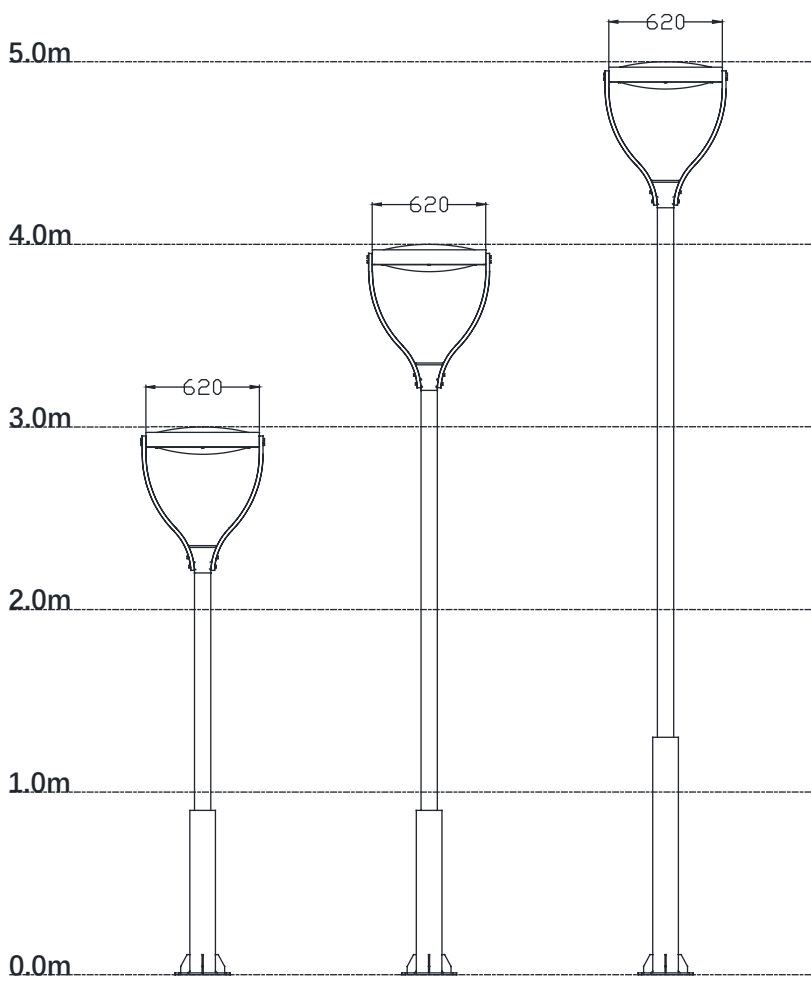


9004

9006

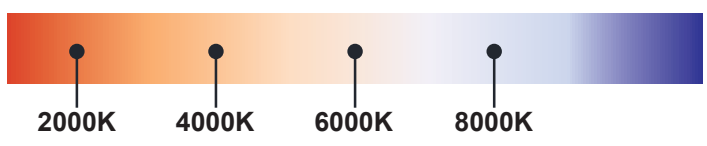
9007

9016



DM-MF7a

Colo(u)r temperature

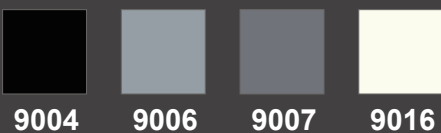


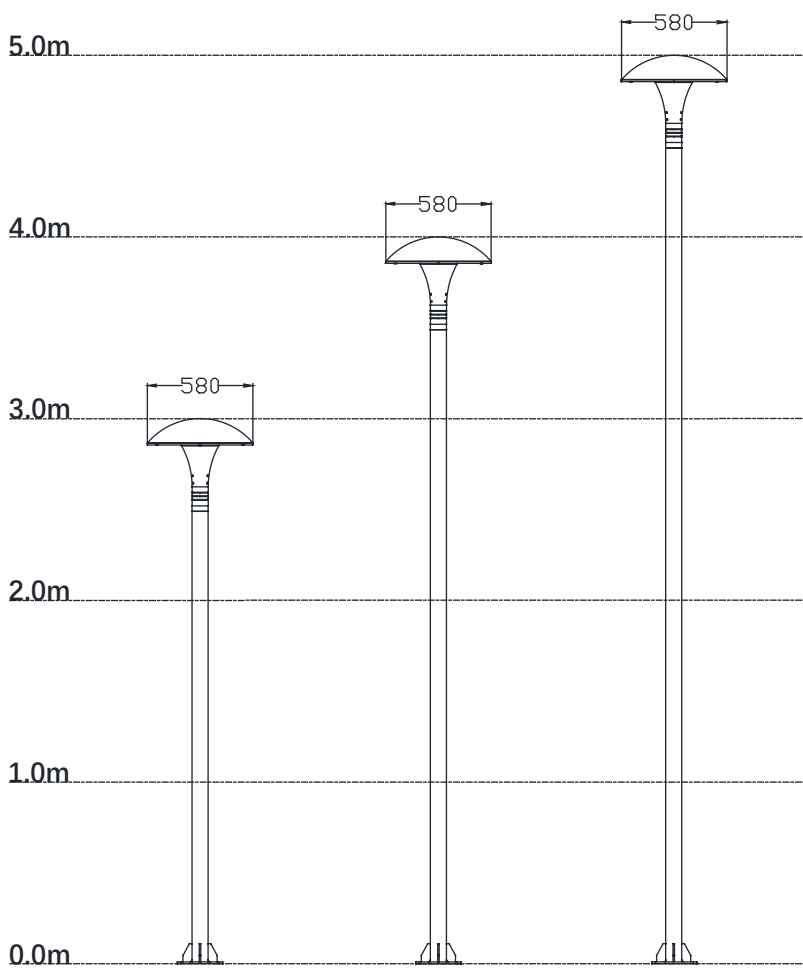
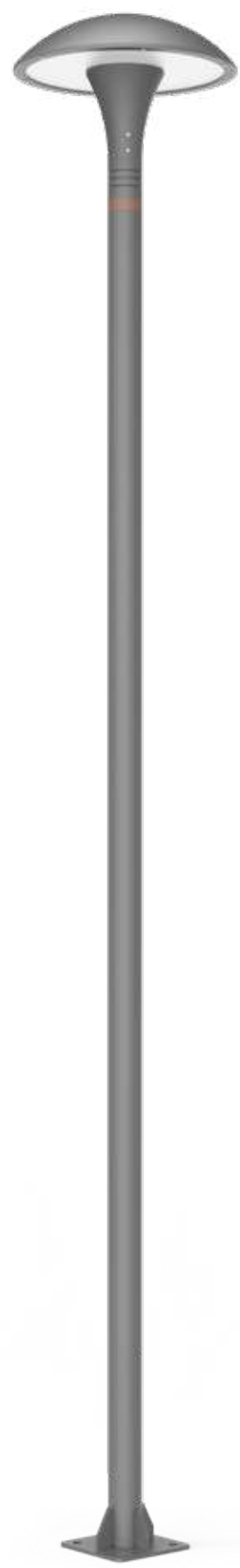


Rated power	30W~60W	Power Factor	> 0.9
LED Quantity	30-60pcs	Life	> 50000H
Color Temperature	6000k/4000k/3000k	THD	< 15%
Luminous Flux	2700lm~5400lm	Frequency Range	50/60HZ
Input Voltage	AC220~240V	Installation Pipe Diameter	/
Protection Grade	IP65	CRI	> 90
Operating Temperature	-30~50°C		

DM-MF7a

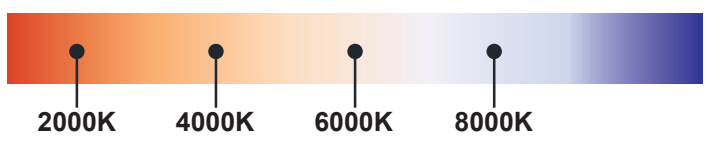
Standard colours





DM-MF8a

Colo(u)r temperature





Rated power	30W~60W	Power Factor	> 0.9
LED Quantity	30-60pcs	Life	> 50000H
Color Temperature	6000k/4000k/3000k	THD	< 15%
Luminous Flux	2700lm~5400lm	Frequency Range	50/60HZ
Input Voltage	AC220~240V	Installation Pipe Diameter	/
Protection Grade	IP65	CRI	> 90
Operating Temperature	-30~50°C		

DM-MF8a

Standard colours



9004



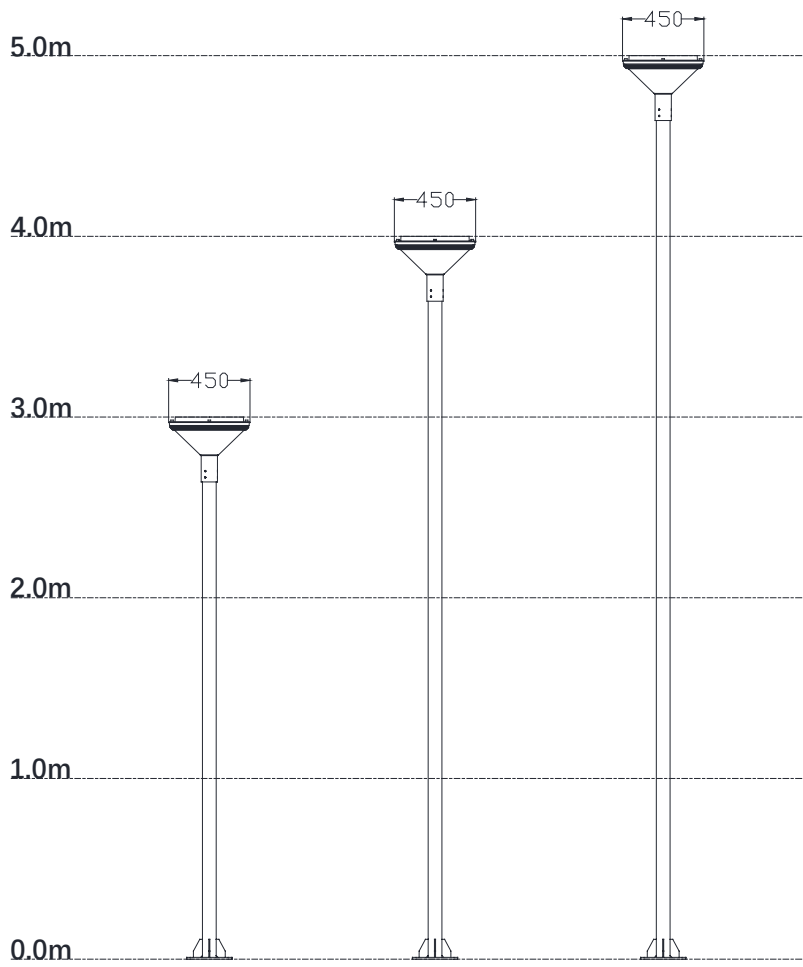
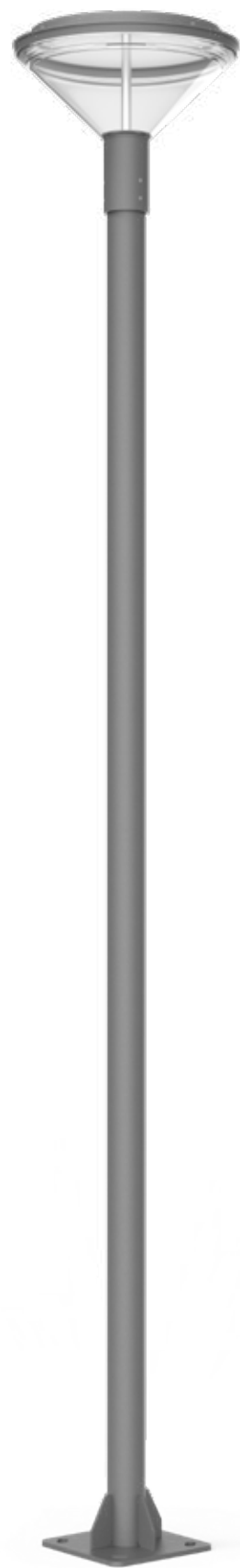
9006



9007

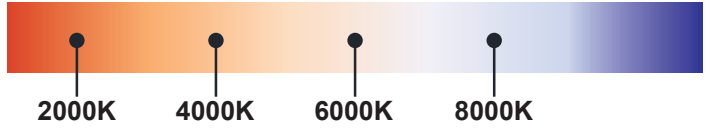


9016



DM-MF9a

Colo(u)r temperature

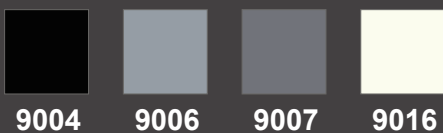


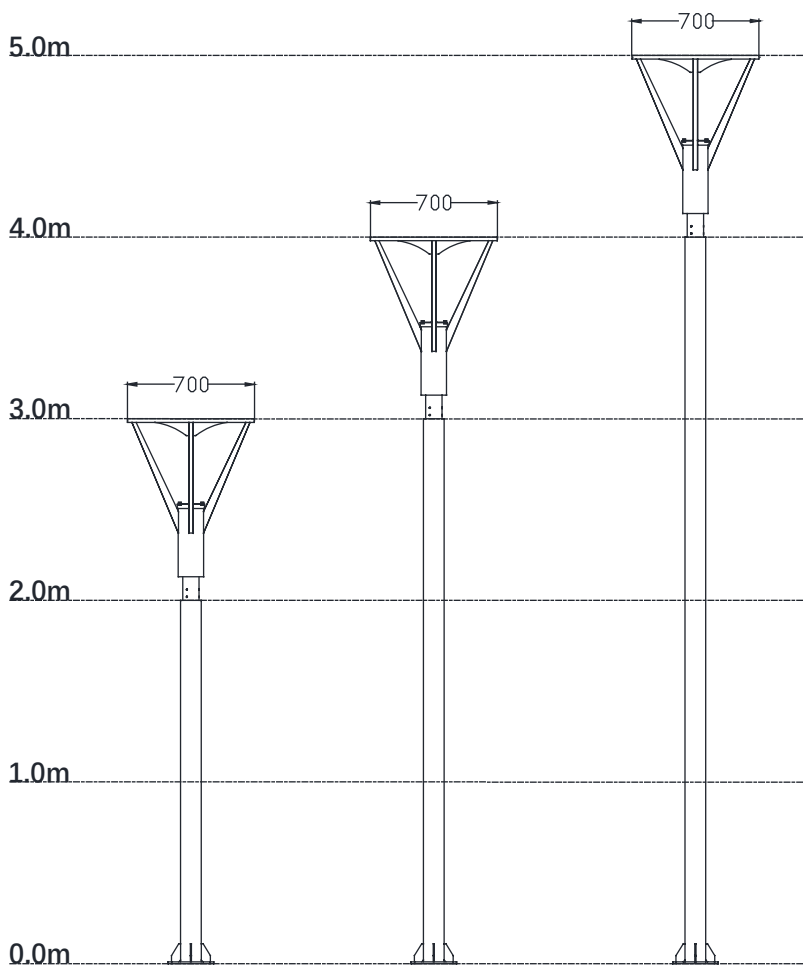
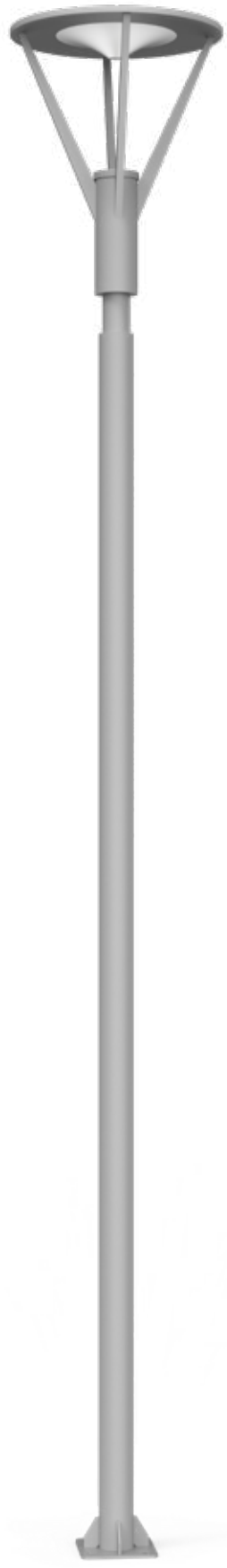


Rated power	30W~60W	Power Factor	> 0.9
LED Quantity	30-60pcs	Life	> 50000H
Color Temperature	6000k/4000k/3000k	THD	< 15%
Luminous Flux	2700lm~5400lm	Frequency Range	50/60HZ
Input Voltage	AC220~240V	Installation Pipe Diameter	/
Protection Grade	IP65	CRI	> 90
Operating Temperature	-30~50°C		

DM-MF9a

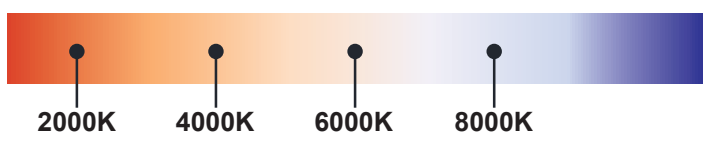
Standard colours





DM-MF10a

Colo(u)r temperature

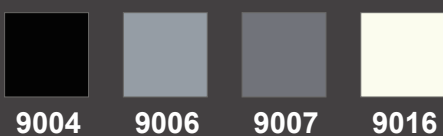




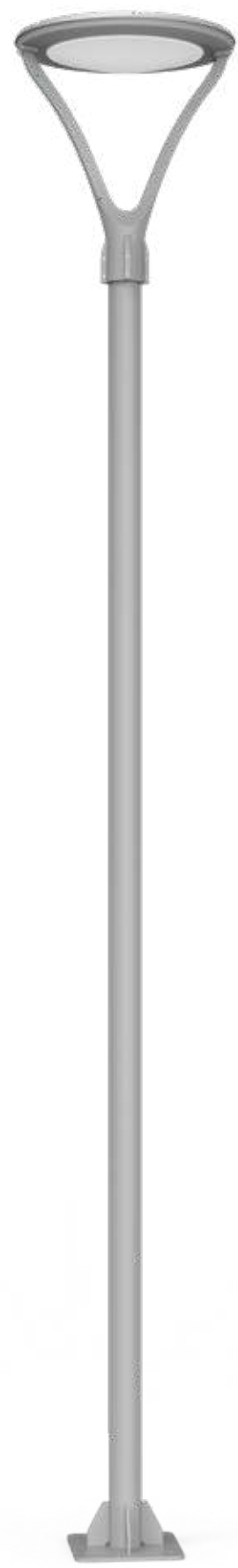
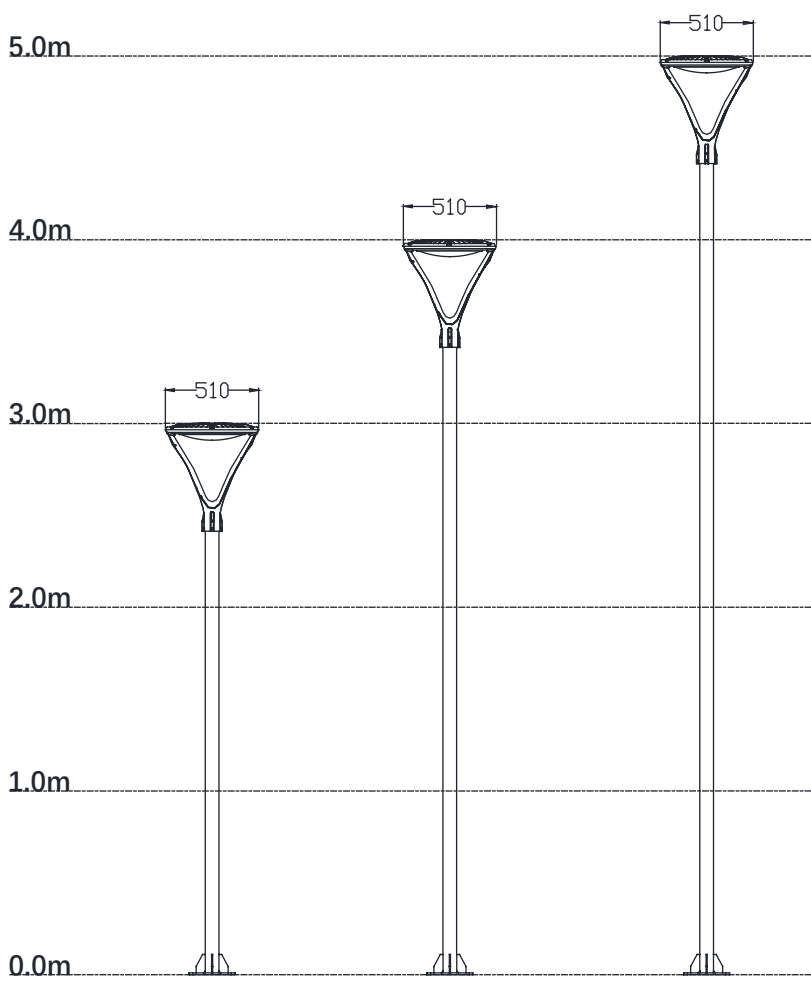
Rated power	30W~60W	Power Factor	> 0.9
LED Quantity	30-60pcs	Life	> 50000H
Color Temperature	6000k/4000k/3000k	THD	< 15%
Luminous Flux	2700lm~5400lm	Frequency Range	50/60HZ
Input Voltage	AC220~240V	Installation Pipe Diameter	/
Protection Grade	IP65	CRI	> 90
Operating Temperature	-30~50°C		

DM-MF10a

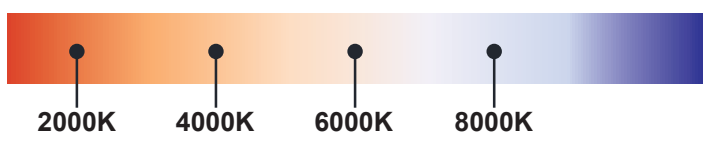
Standard colours



DM-MF11a



Colo(u)r temperature

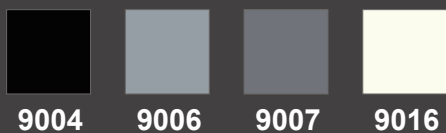




Rated power	30W~60W	Power Factor	> 0.9
LED Quantity	30-60pcs	Life	> 50000H
Color Temperature	6000k/4000k/3000k	THD	< 15%
Luminous Flux	2700lm~5400lm	Frequency Range	50/60HZ
Input Voltage	AC220~240V	Installation Pipe Diameter	/
Protection Grade	IP65	CRI	> 90
Operating Temperature	-30~50°C		

DM-MF11a

Standard colours

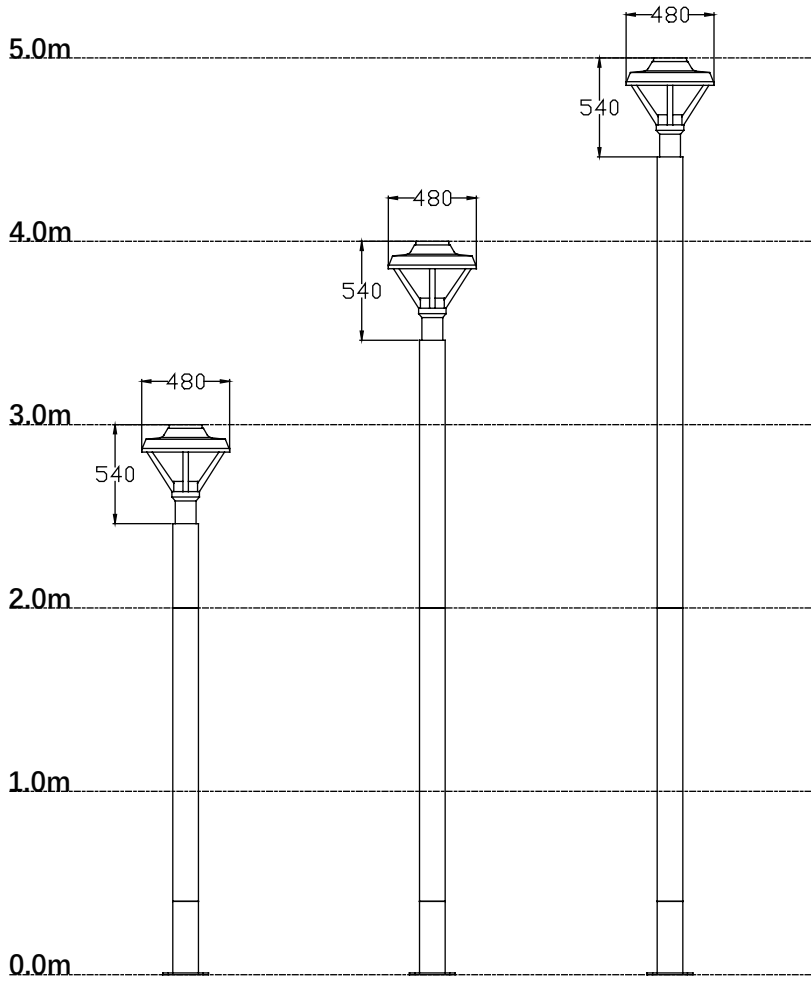


9004

9006

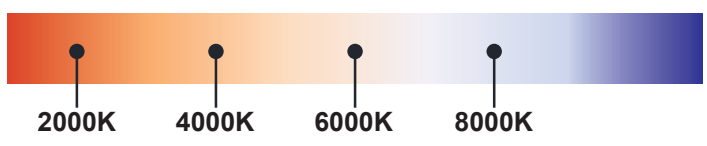
9007

9016



DM-MF12a

Colo(u)r temperature

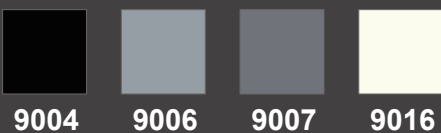


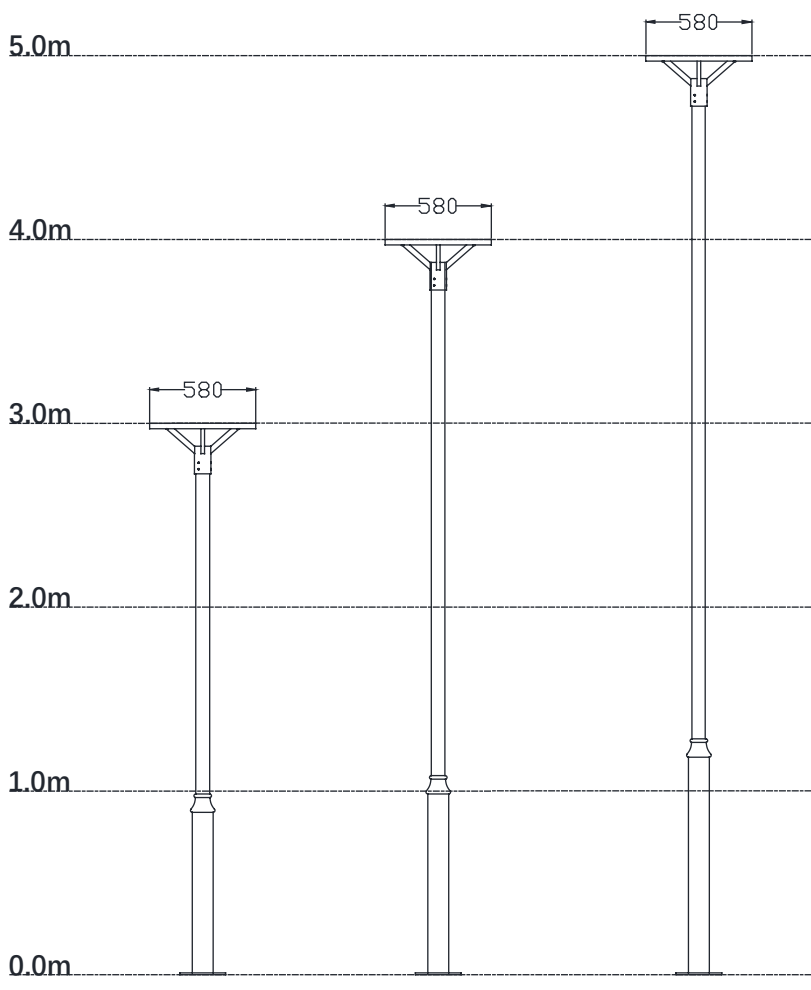


Rated power	30W~60W	Power Factor	> 0.9
LED Quantity	30-60pcs	Life	> 50000H
Color Temperature	6000k/4000k/3000k	THD	< 15%
Luminous Flux	2700lm~5400lm	Frequency Range	50/60HZ
Input Voltage	AC220~240V	Installation Pipe Diameter	/
Protection Grade	IP65	CRI	> 90
Operating Temperature	-30~50°C		

DM-MF12a

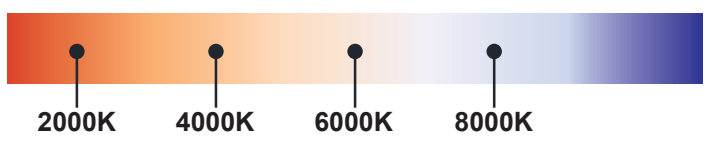
Standard colours





DM-MF13a

Colo(u)r temperature

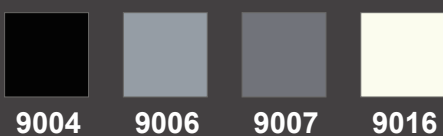




Rated power	30W~60W	Power Factor	> 0.9
LED Quantity	30-60pcs	Life	> 50000H
Color Temperature	6000k/4000k/3000k	THD	< 15%
Luminous Flux	2700lm~5400lm	Frequency Range	50/60HZ
Input Voltage	AC220~240V	Installation Pipe Diameter	/
Protection Grade	IP65	CRI	> 90
Operating Temperature	-30~50°C		

DM-MF13a

Standard colours

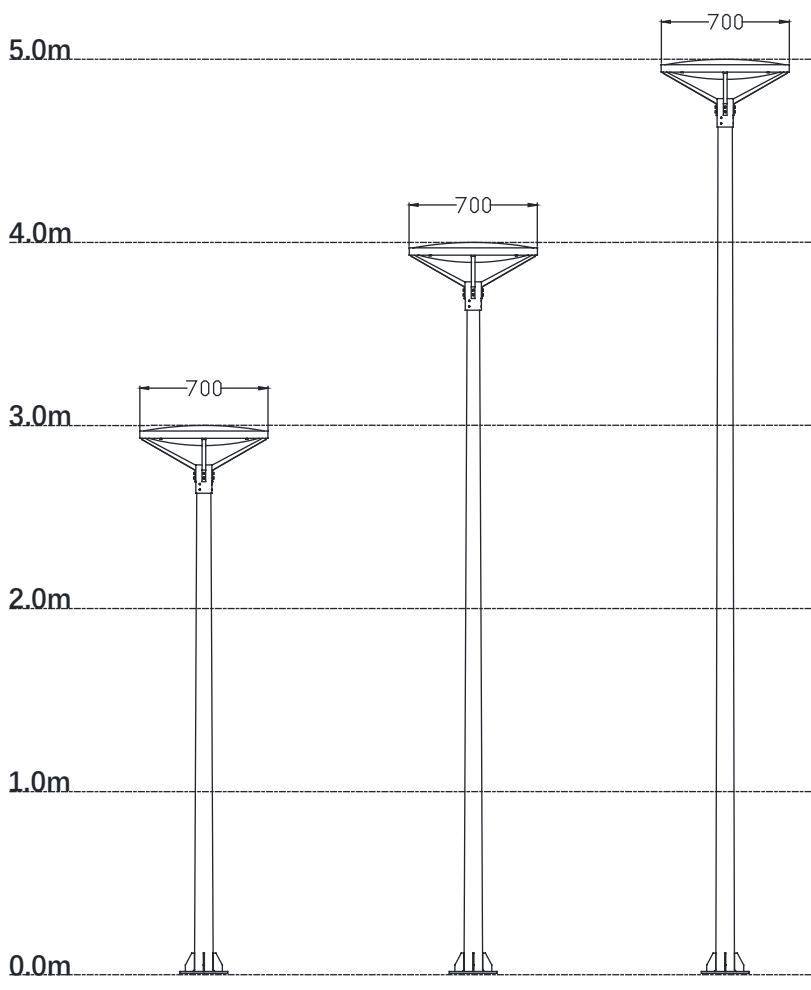


9004

9006

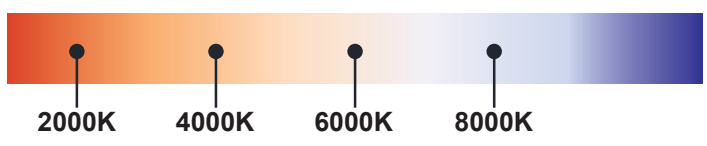
9007

9016



DM-MF14a

Colo(u)r temperature

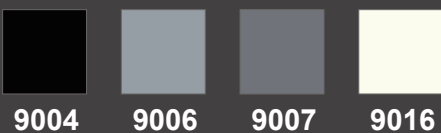




Rated power	30W~60W	Power Factor	> 0.9
LED Quantity	30-60pcs	Life	> 50000H
Color Temperature	6000k/4000k/3000k	THD	< 15%
Luminous Flux	2700lm~5400lm	Frequency Range	50/60HZ
Input Voltage	AC220~240V	Installation Pipe Diameter	/
Protection Grade	IP65	CRI	> 90
Operating Temperature	-30~50°C		

DM-MF14a

Standard colours

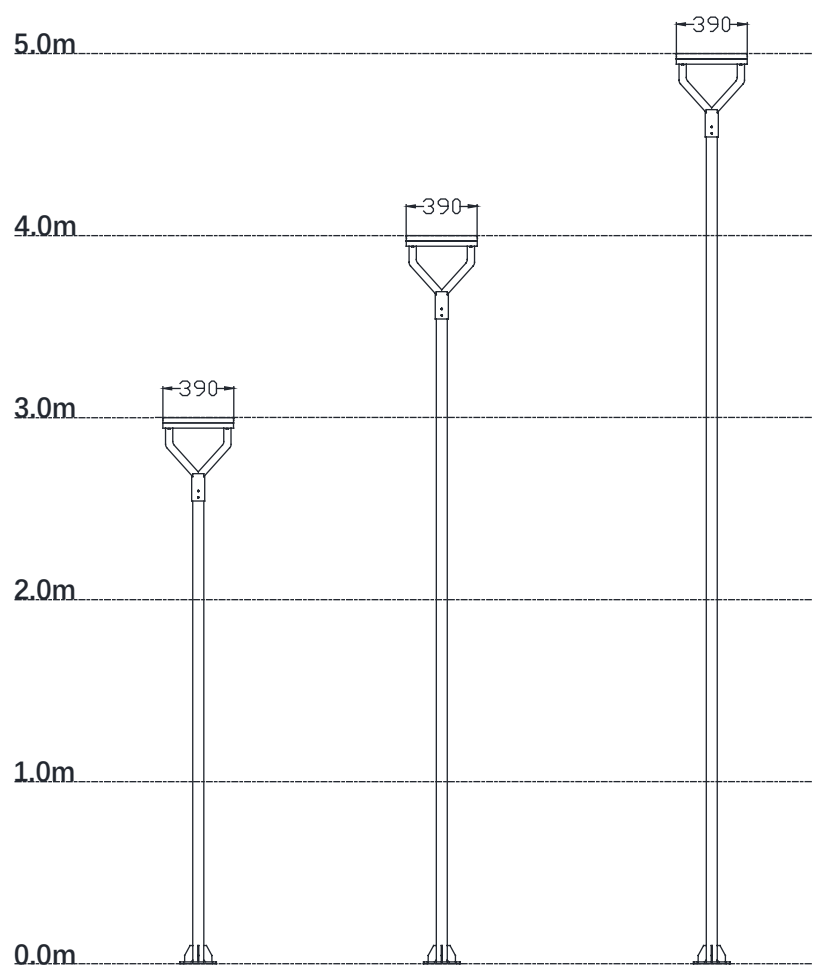
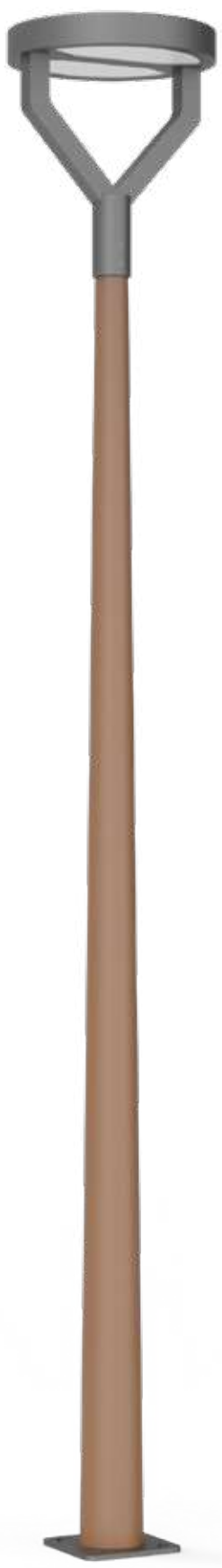


9004

9006

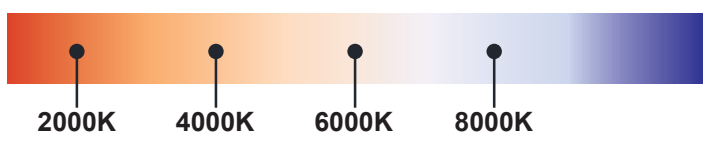
9007

9016



DM-MF15a

Colo(u)r temperature

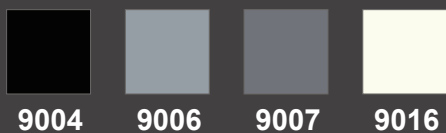


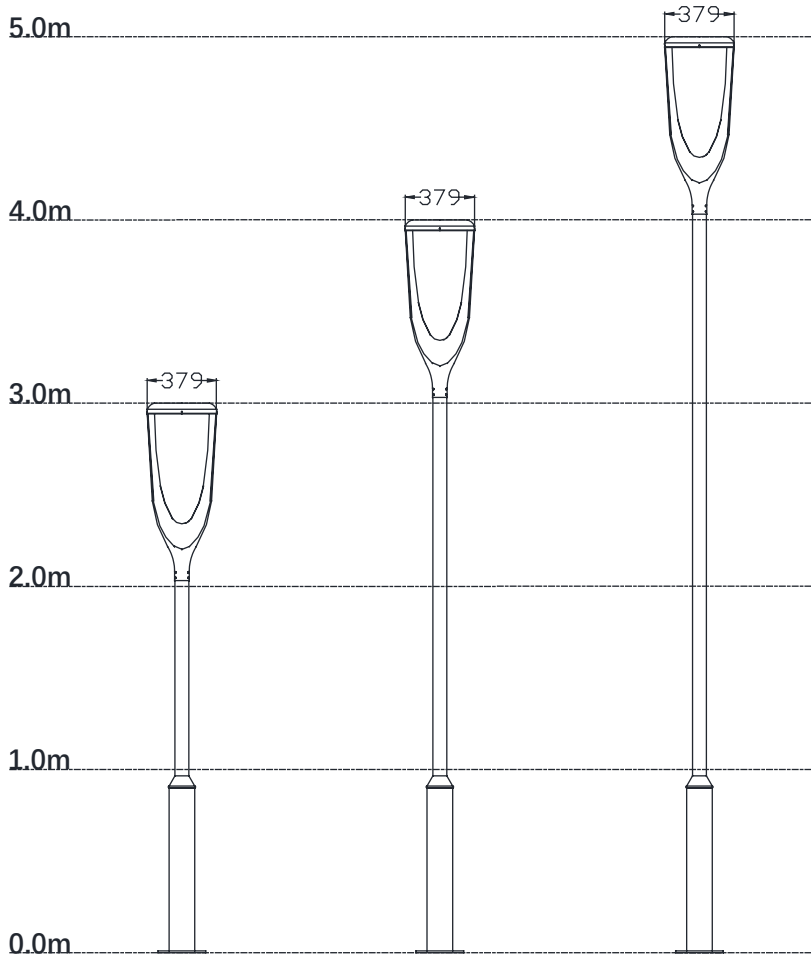


Rated power	30W~60W	Power Factor	> 0.9
LED Quantity	30-60pcs	Life	> 50000H
Color Temperature	6000k/4000k/3000k	THD	< 15%
Luminous Flux	2700lm~5400lm	Frequency Range	50/60HZ
Input Voltage	AC220~240V	Installation Pipe Diameter	/
Protection Grade	IP65	CRI	> 90
Operating Temperature	-30~50°C		

DM-MF15a

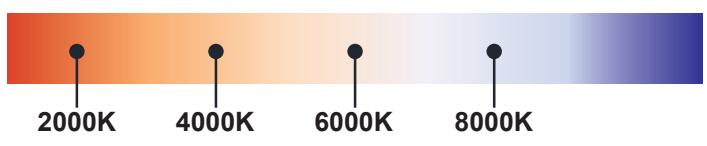
Standard colours





DM-MF16a

Colo(u)r temperature

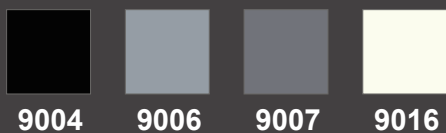




Rated power	30W~60W	Power Factor	> 0.9
LED Quantity	30-60pcs	Life	> 50000H
Color Temperature	6000k/4000k/3000k	THD	< 15%
Luminous Flux	2700lm~5400lm	Frequency Range	50/60HZ
Input Voltage	AC220~240V	Installation Pipe Diameter	/
Protection Grade	IP65	CRI	> 90
Operating Temperature	-30~50°C		

DM-MF16a

Standard colours

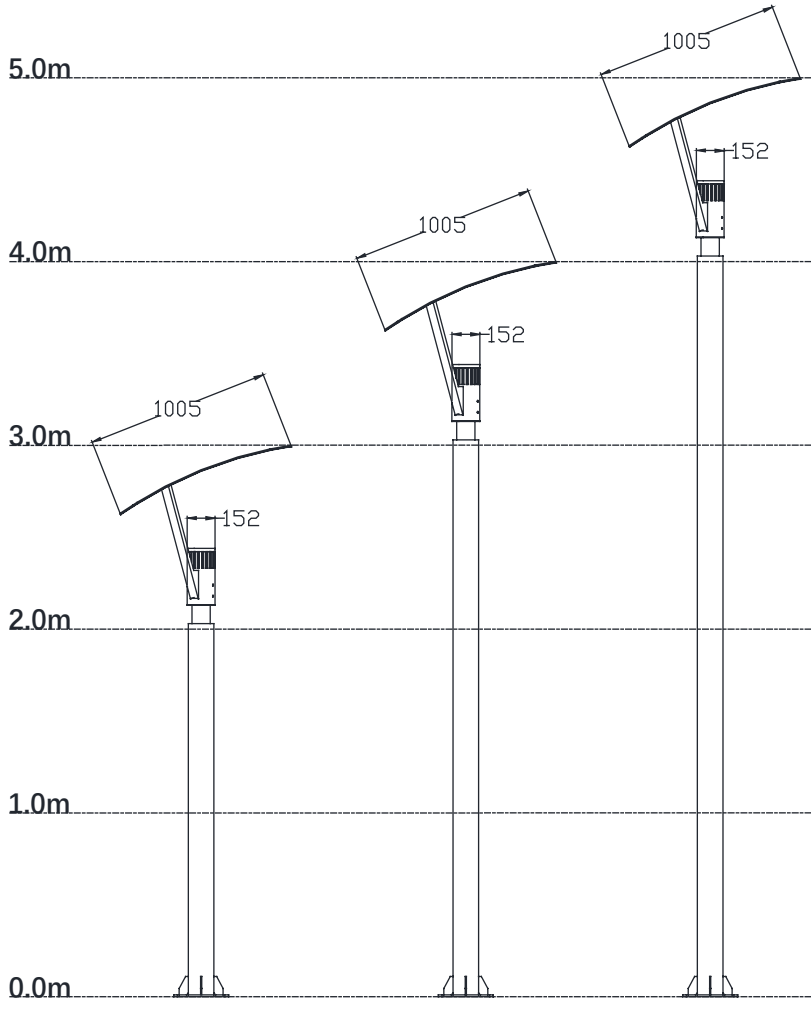
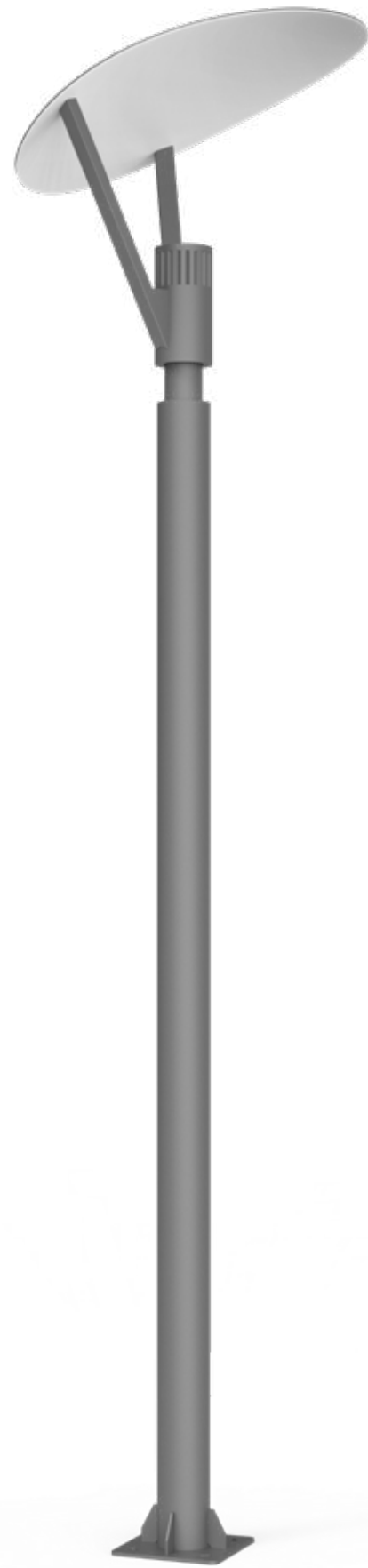


9004

9006

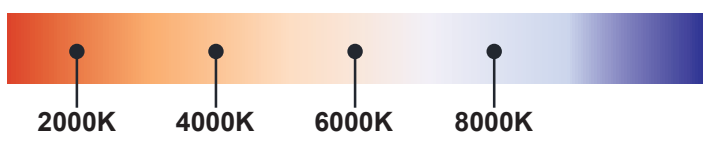
9007

9016



DM-MF17a

Colo(u)r temperature





Rated power	30W~60W	Power Factor	> 0.9
LED Quantity	30-60pcs	Life	> 50000H
Color Temperature	6000k/4000k/3000k	THD	< 15%
Luminous Flux	2700lm~5400lm	Frequency Range	50/60HZ
Input Voltage	AC220~240V	Installation Pipe Diameter	/
Protection Grade	IP65	CRI	> 90
Operating Temperature	-30~50°C		

DM-MF17a

Standard colours



9004



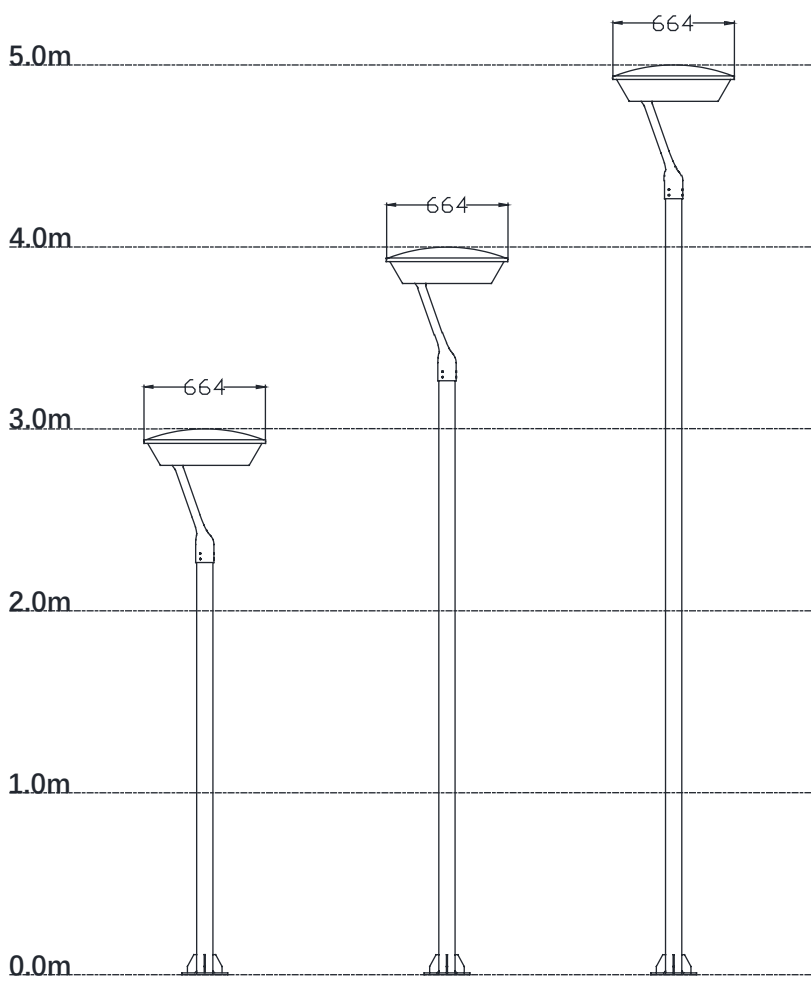
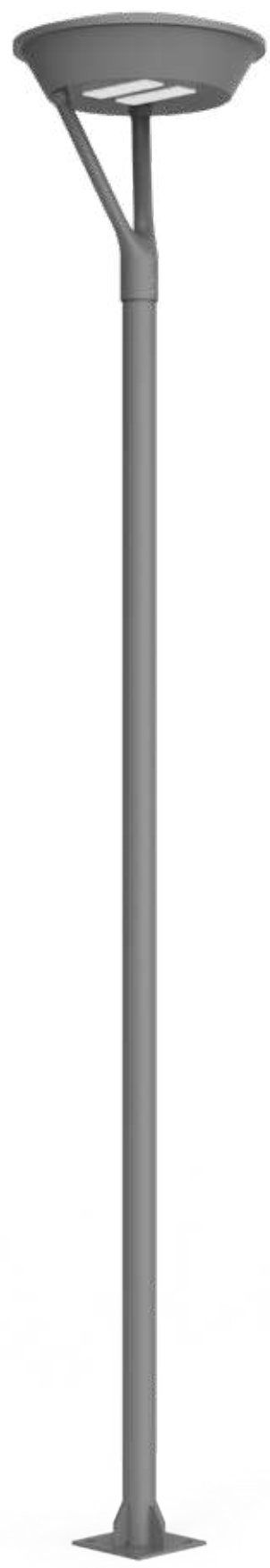
9006



9007

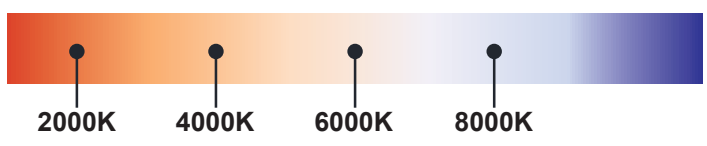


9016



DM-MF18a

Colo(u)r temperature

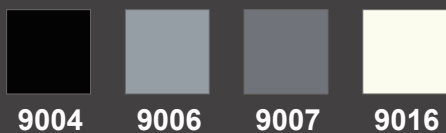




Rated power	30W~60W	Power Factor	> 0.9
LED Quantity	30-60pcs	Life	> 50000H
Color Temperature	6000k/4000k/3000k	THD	< 15%
Luminous Flux	2700lm~5400lm	Frequency Range	50/60HZ
Input Voltage	AC220~240V	Installation Pipe Diameter	/
Protection Grade	IP65	CRI	> 90
Operating Temperature	-30~50°C		

DM-MF18a

Standard colours

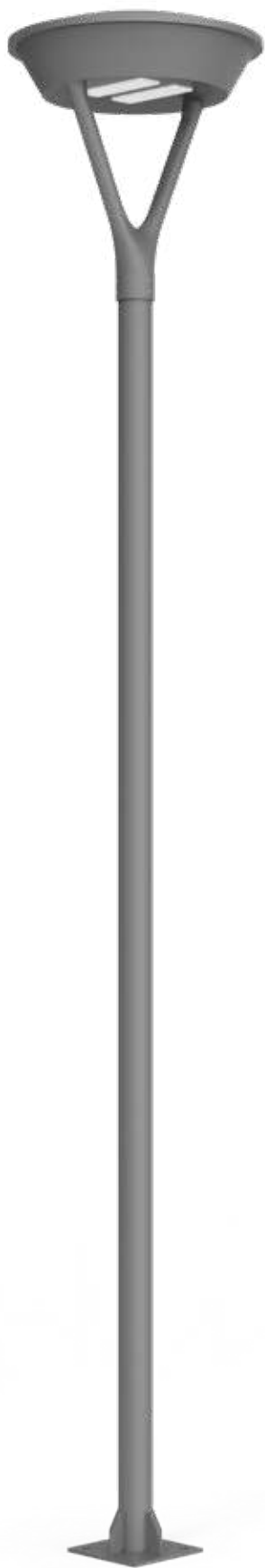
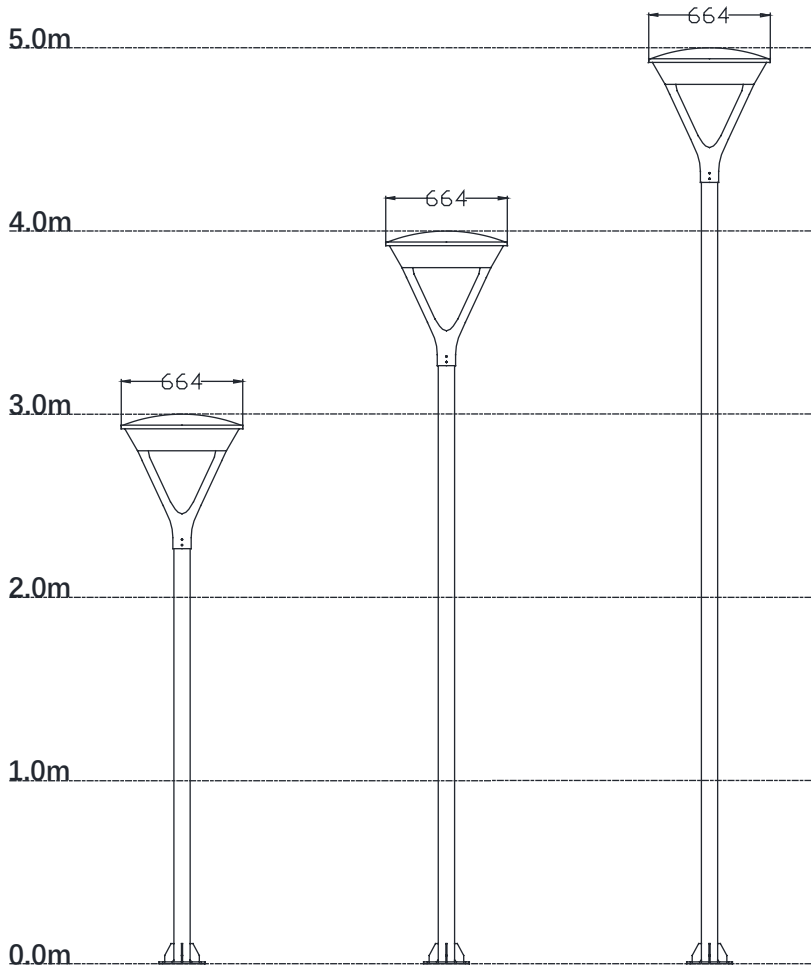


9004

9006

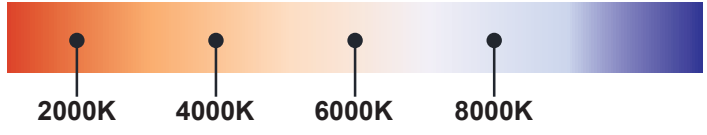
9007

9016



DM-MF19a

Colo(u)r temperature

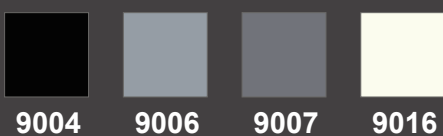


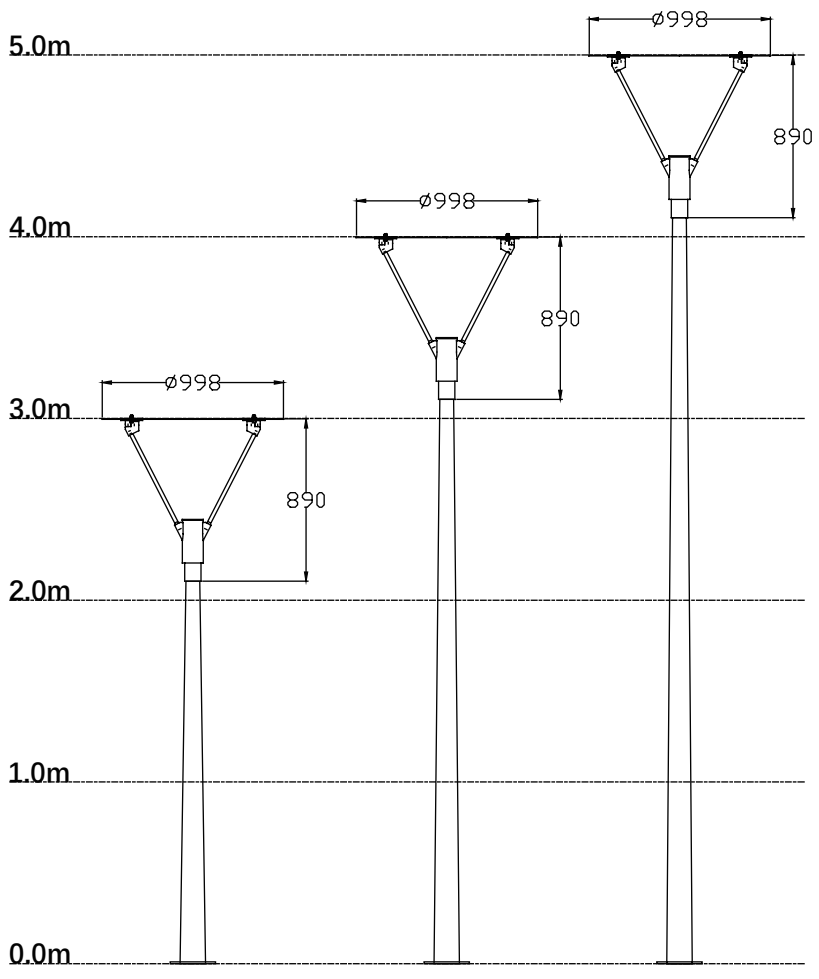


Rated power	30W~60W	Power Factor	> 0.9
LED Quantity	30-60pcs	Life	> 50000H
Color Temperature	6000k/4000k/3000k	THD	< 15%
Luminous Flux	2700lm~5400lm	Frequency Range	50/60HZ
Input Voltage	AC220~240V	Installation Pipe Diameter	/
Protection Grade	IP65	CRI	> 90
Operating Temperature	-30~50°C		

DM-MF19a

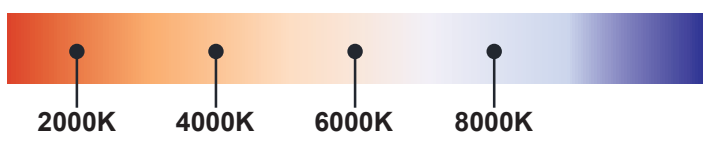
Standard colours





DM-MF20a

Colo(u)r temperature

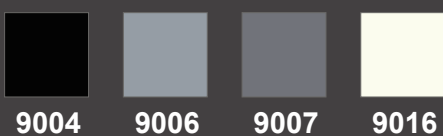




Rated power	30W~60W	Power Factor	> 0.9
LED Quantity	30-60pcs	Life	> 50000H
Color Temperature	6000k/4000k/3000k	THD	< 15%
Luminous Flux	2700lm~5400lm	Frequency Range	50/60HZ
Input Voltage	AC220~240V	Installation Pipe Diameter	/
Protection Grade	IP65	CRI	> 90
Operating Temperature	-30~50°C		

DM-MF20a

Standard colours



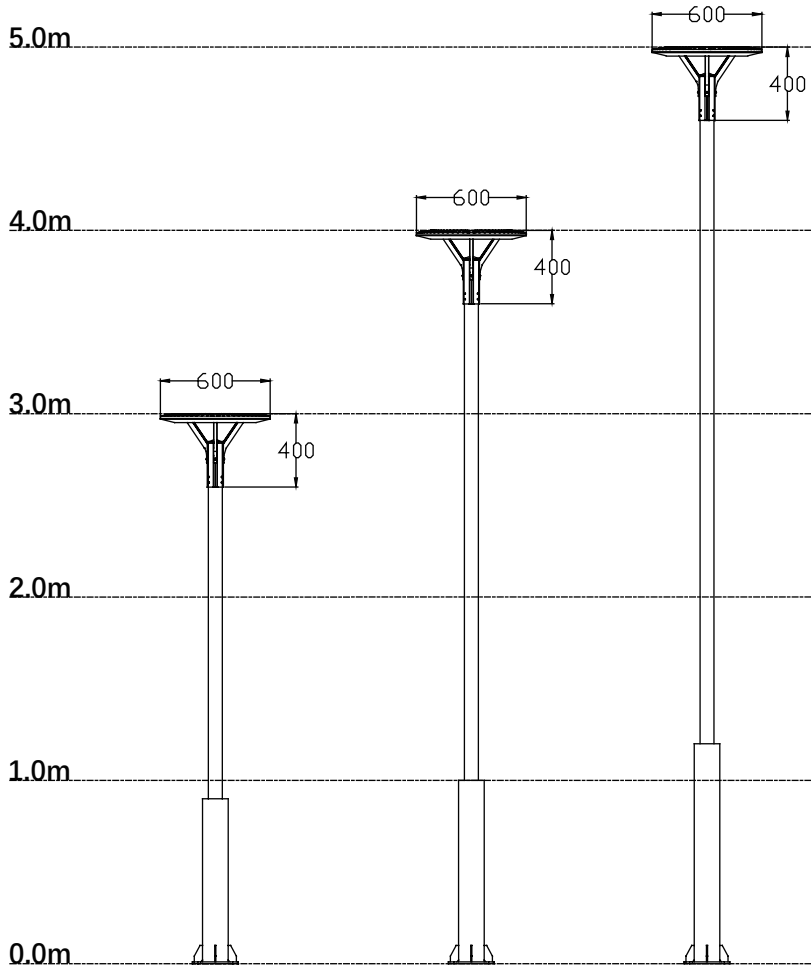
9004

9006

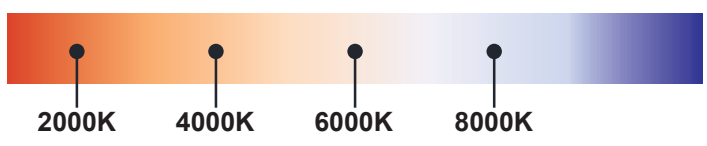
9007

9016

DM-MF21a



Colo(u)r temperature

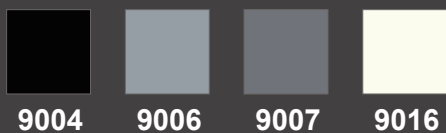


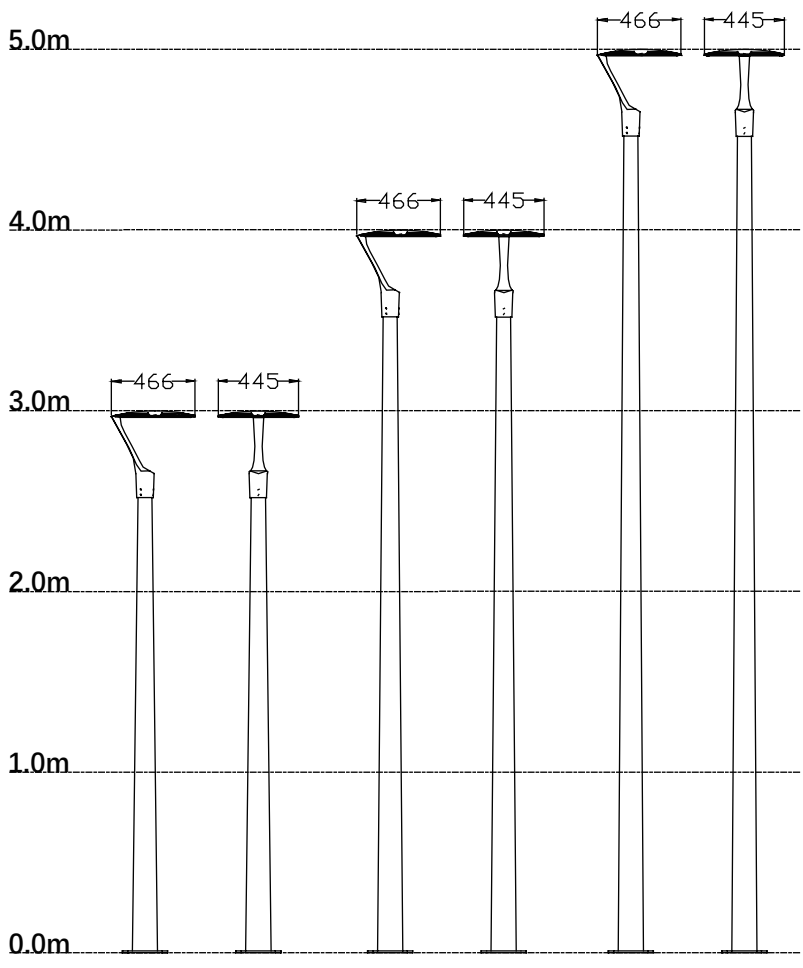


Rated power	30W~60W	Power Factor	> 0.9
LED Quantity	30-60pcs	Life	> 50000H
Color Temperature	6000k/4000k/3000k	THD	< 15%
Luminous Flux	2700lm~5400lm	Frequency Range	50/60HZ
Input Voltage	AC220~240V	Installation Pipe Diameter	/
Protection Grade	IP65	CRI	> 90
Operating Temperature	-30~50°C		

DM-MF21a

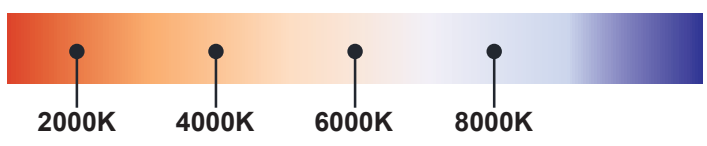
Standard colours





DM-MF22a

Colo(u)r temperature

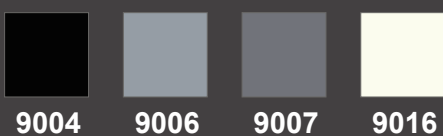




Rated power	30W~60W	Power Factor	> 0.9
LED Quantity	30-60pcs	Life	> 50000H
Color Temperature	6000k/4000k/3000k	THD	< 15%
Luminous Flux	2700lm~5400lm	Frequency Range	50/60HZ
Input Voltage	AC220~240V	Installation Pipe Diameter	/
Protection Grade	IP65	CRI	> 90
Operating Temperature	-30~50°C		

DM-MF22a

Standard colours

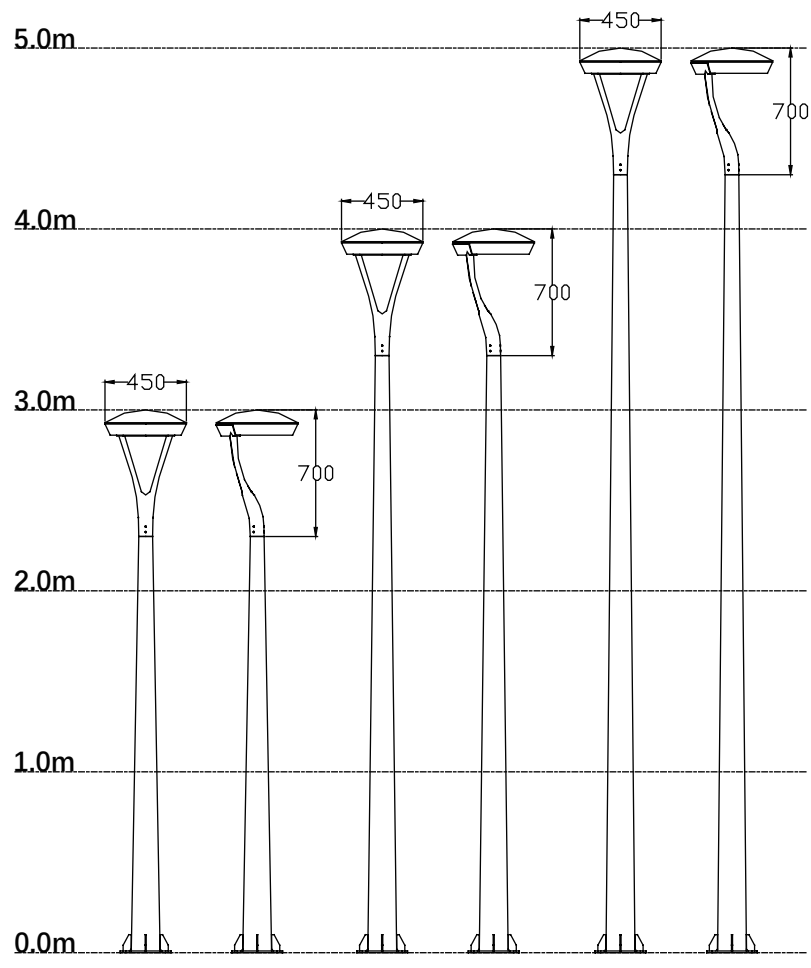


9004

9006

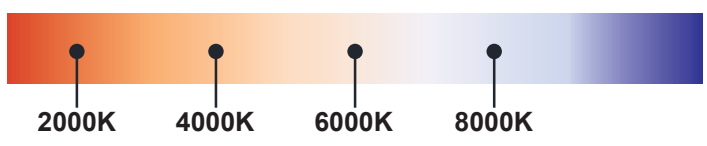
9007

9016



DM-MF23a

Colo(u)r temperature





Rated power	30W~60W	Power Factor	> 0.9
LED Quantity	30-60pcs	Life	> 50000H
Color Temperature	6000k/4000k/3000k	THD	< 15%
Luminous Flux	2700lm~5400lm	Frequency Range	50/60HZ
Input Voltage	AC220~240V	Installation Pipe Diameter	/
Protection Grade	IP65	CRI	> 90
Operating Temperature	-30~50°C		

DM-MF23a

Standard colours



9004



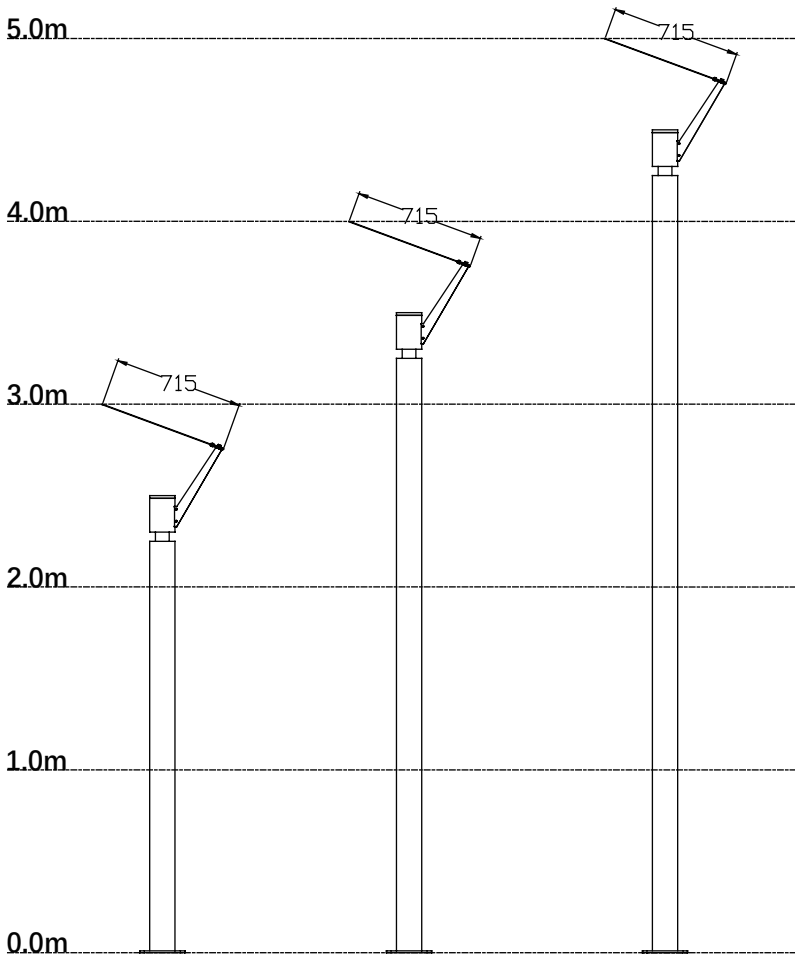
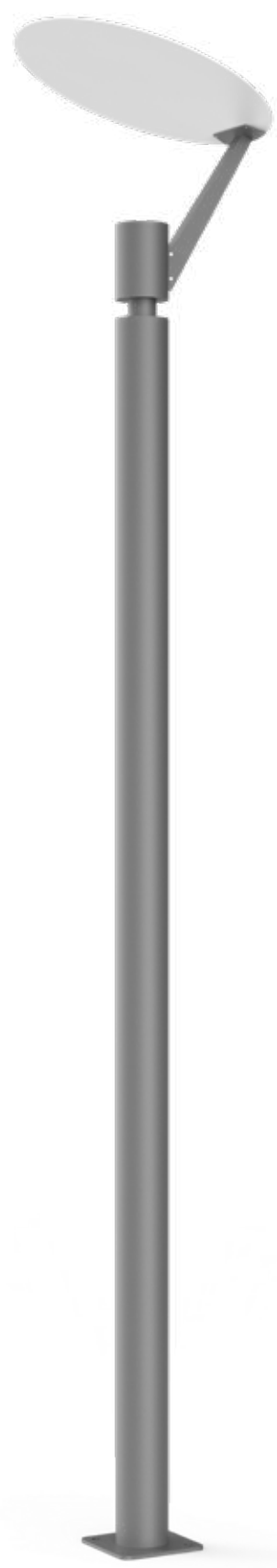
9006



9007

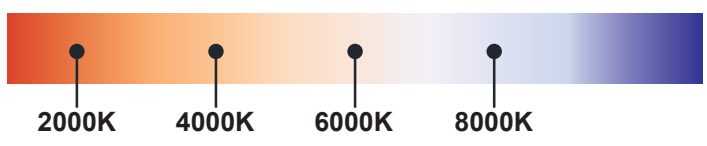


9016



DM-MF24a

Colo(u)r temperature

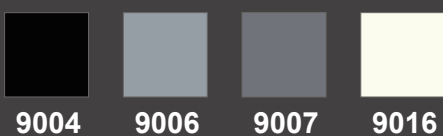


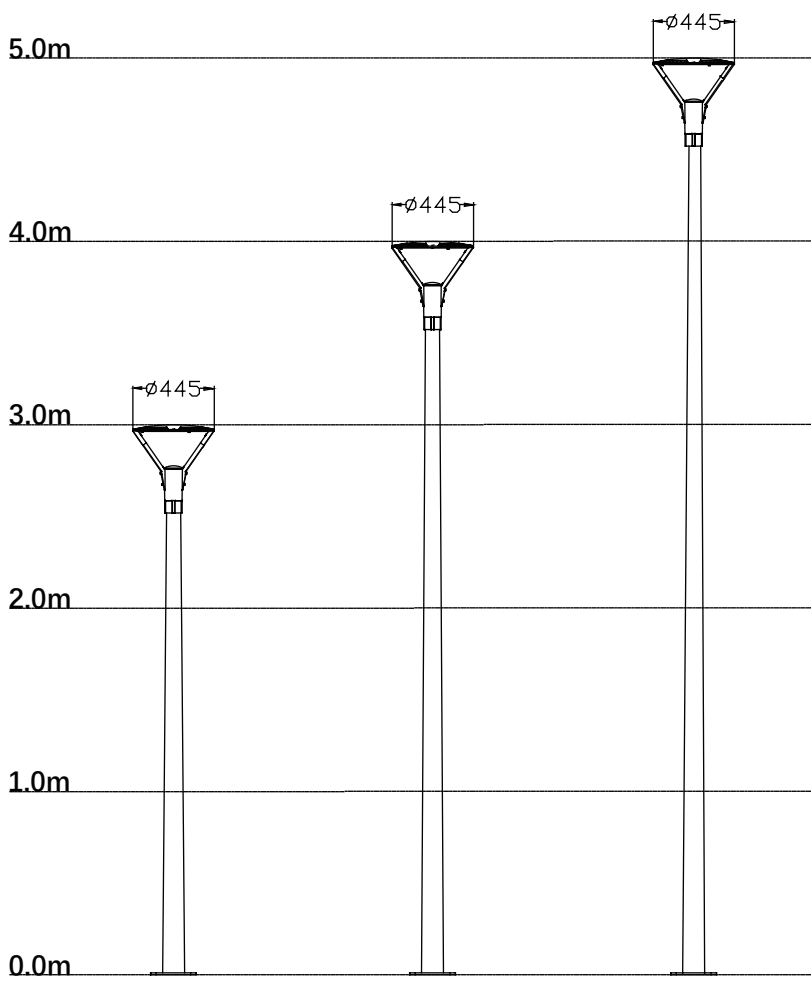


Rated power	30W~60W	Power Factor	> 0.9
LED Quantity	30-60pcs	Life	> 50000H
Color Temperature	6000k/4000k/3000k	THD	< 15%
Luminous Flux	2700lm~5400lm	Frequency Range	50/60HZ
Input Voltage	AC220~240V	Installation Pipe Diameter	/
Protection Grade	IP65	CRI	> 90
Operating Temperature	-30~50°C		

DM-MF24a

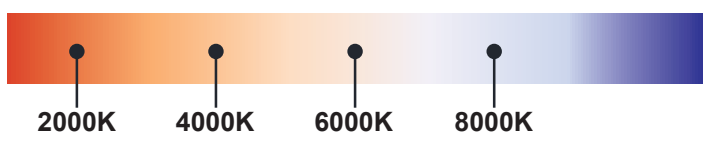
Standard colours





DM-MF25a

Colo(u)r temperature

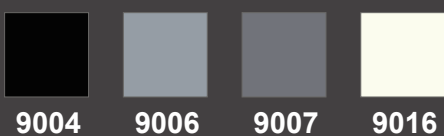




Rated power	30W~60W	Power Factor	> 0.9
LED Quantity	30-60pcs	Life	> 50000H
Color Temperature	6000k/4000k/3000k	THD	< 15%
Luminous Flux	2700lm~5400lm	Frequency Range	50/60HZ
Input Voltage	AC220~240V	Installation Pipe Diameter	/
Protection Grade	IP65	CRI	> 90
Operating Temperature	-30~50°C		

DM-MF25a

Standard colours

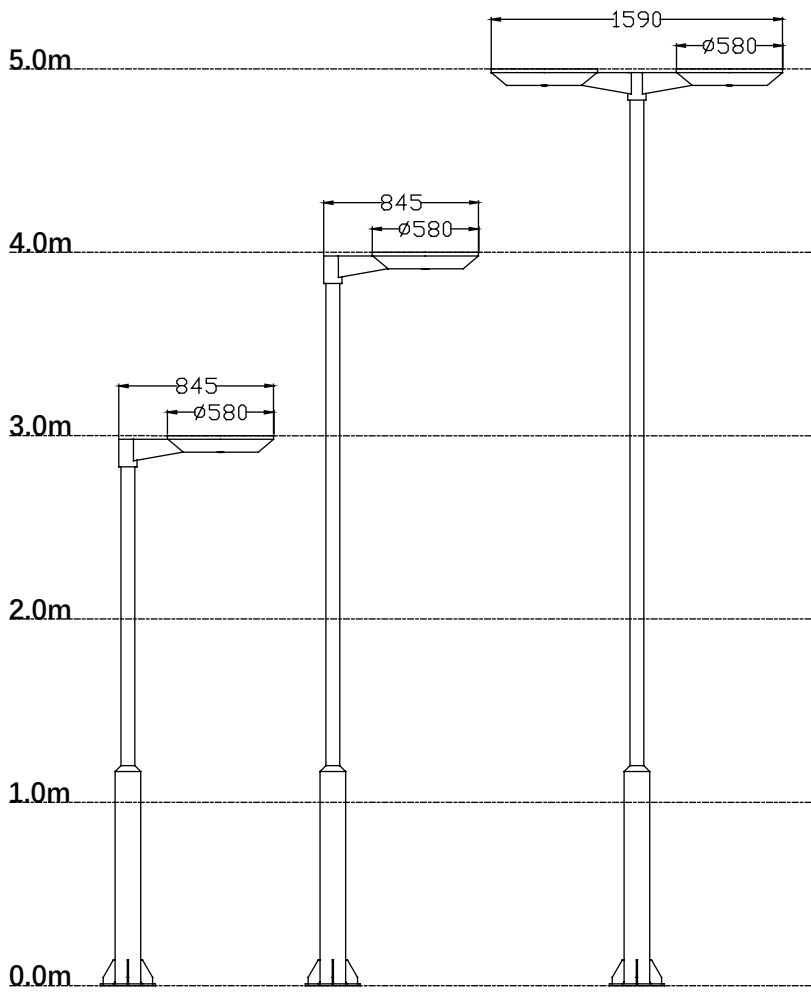


9004

9006

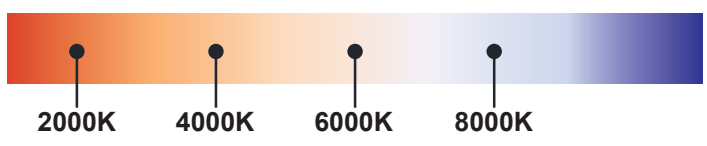
9007

9016



DM-MF26a

Color temperature

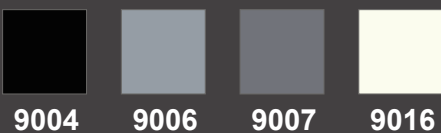


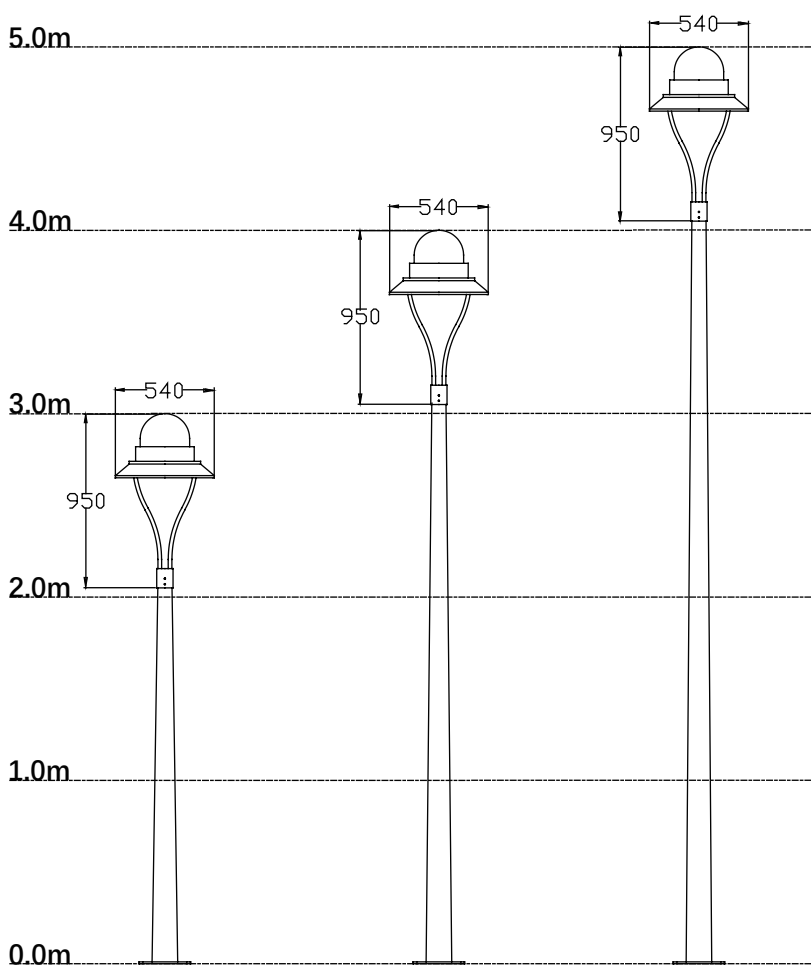


Rated power	30W~60W	Power Factor	> 0.9
LED Quantity	30-60pcs	Life	> 50000H
Color Temperature	6000k/4000k/3000k	THD	< 15%
Luminous Flux	2700lm~5400lm	Frequency Range	50/60HZ
Input Voltage	AC220~240V	Installation Pipe Diameter	/
Protection Grade	IP65	CRI	> 90
Operating Temperature	-30~50°C		

DM-MF26a

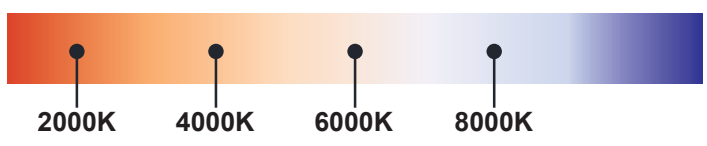
Standard colours





DM-MF27a

Colo(u)r temperature

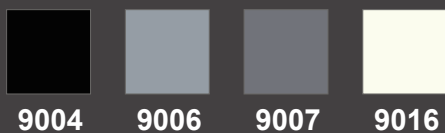




Rated power	30W~60W	Power Factor	> 0.9
LED Quantity	30-60pcs	Life	> 50000H
Color Temperature	6000k/4000k/3000k	THD	< 15%
Luminous Flux	2700lm~5400lm	Frequency Range	50/60HZ
Input Voltage	AC220~240V	Installation Pipe Diameter	/
Protection Grade	IP65	CRI	> 90
Operating Temperature	-30~50°C		

DM-MF27a

Standard colours

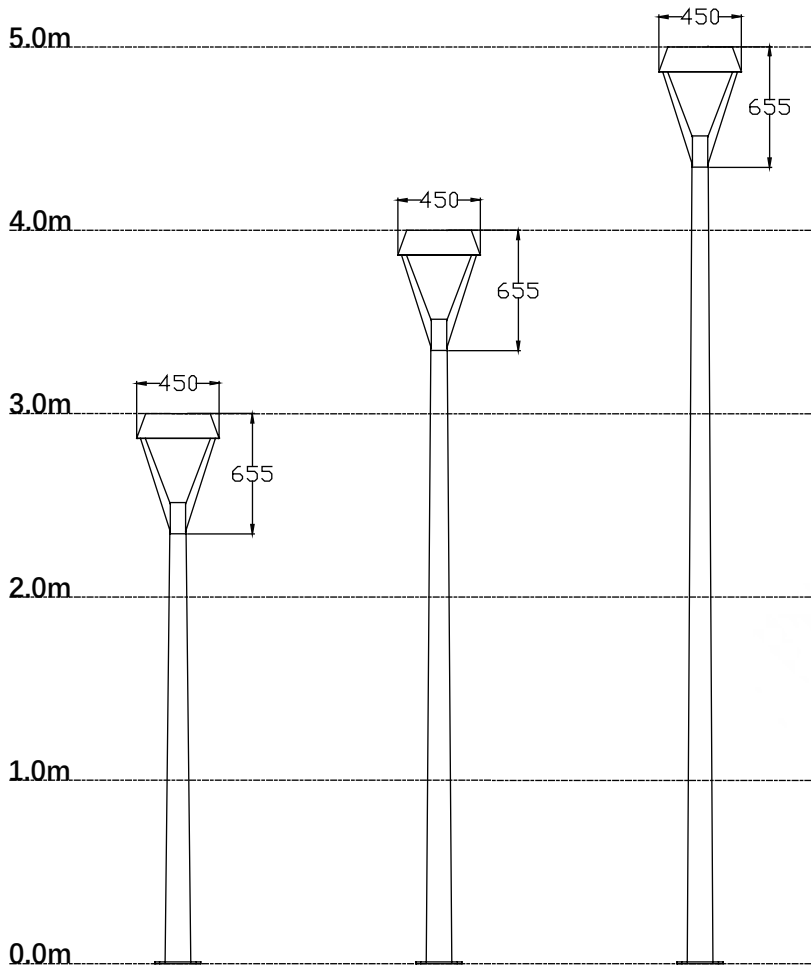


9004

9006

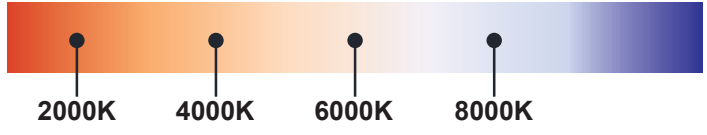
9007

9016



DM-MF28a

Colo(u)r temperature



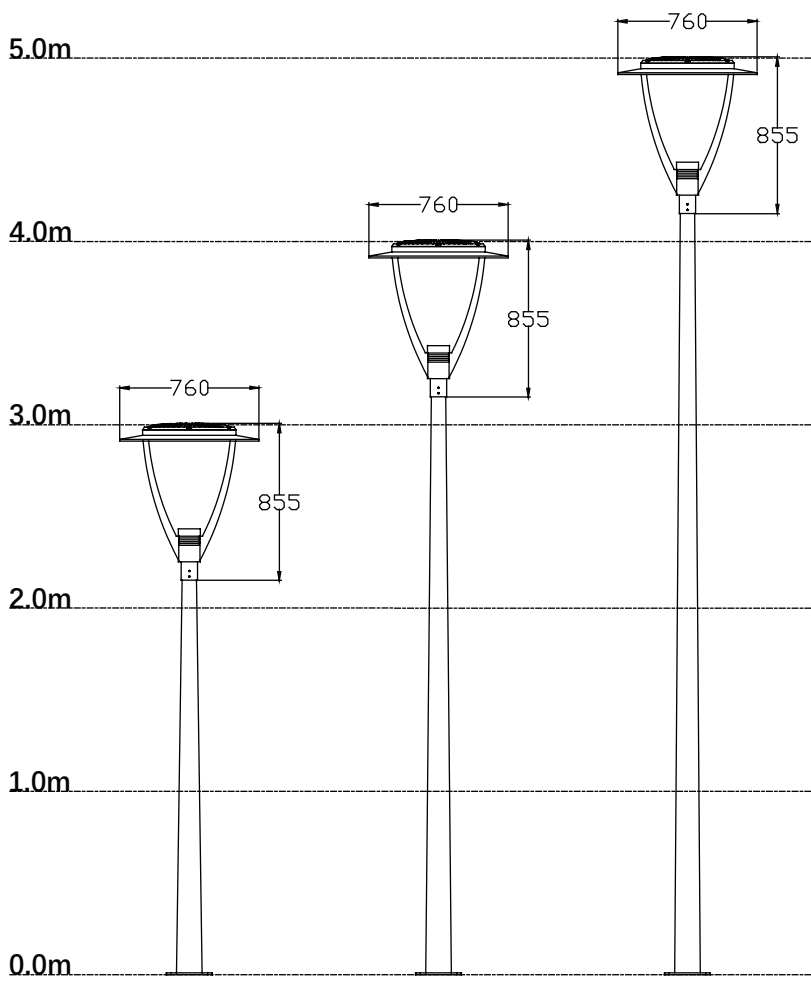


Rated power	30W~60W	Power Factor	> 0.9
LED Quantity	30-60pcs	Life	> 50000H
Color Temperature	6000k/4000k/3000k	THD	< 15%
Luminous Flux	2700lm~5400lm	Frequency Range	50/60HZ
Input Voltage	AC220~240V	Installation Pipe Diameter	/
Protection Grade	IP65	CRI	> 90
Operating Temperature	-30~50°C		

DM-MF28a

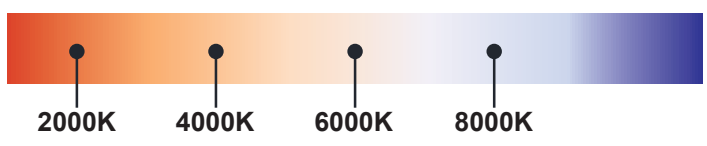
Standard colours





DM-MF29a

Colo(u)r temperature

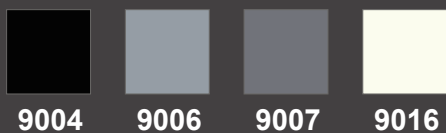




Rated power	30W~60W	Power Factor	> 0.9
LED Quantity	30-60pcs	Life	> 50000H
Color Temperature	6000k/4000k/3000k	THD	< 15%
Luminous Flux	2700lm~5400lm	Frequency Range	50/60HZ
Input Voltage	AC220~240V	Installation Pipe Diameter	/
Protection Grade	IP65	CRI	> 90
Operating Temperature	-30~50°C		

DM-MF29a

Standard colours

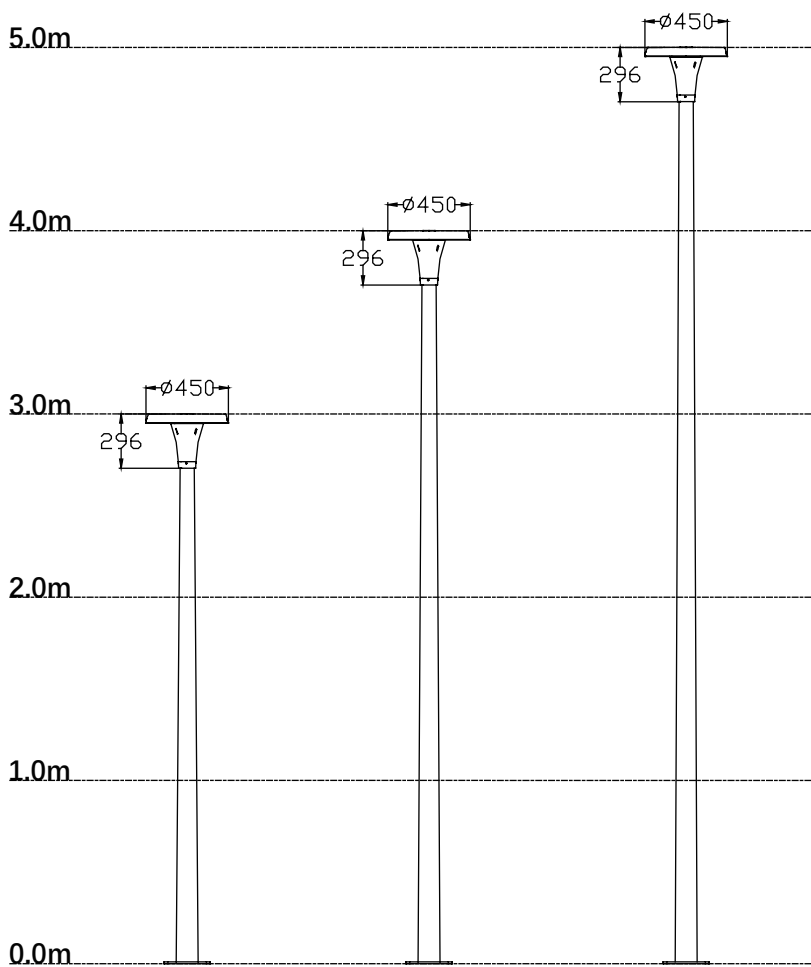


9004

9006

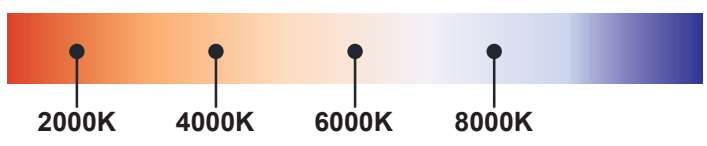
9007

9016



DM-MF-30a

Colo(u)r temperature

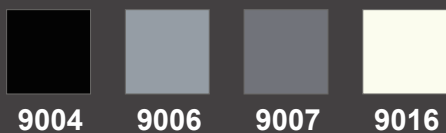




Rated power	30W~60W	Power Factor	> 0.9
LED Quantity	30-60pcs	Life	> 50000H
Color Temperature	6000k/4000k/3000k	THD	< 15%
Luminous Flux	2700lm~5400lm	Frequency Range	50/60HZ
Input Voltage	AC220~240V	Installation Pipe Diameter	/
Protection Grade	IP65	CRI	> 90
Operating Temperature	-30~50°C		

DM-MF30a

Standard colours

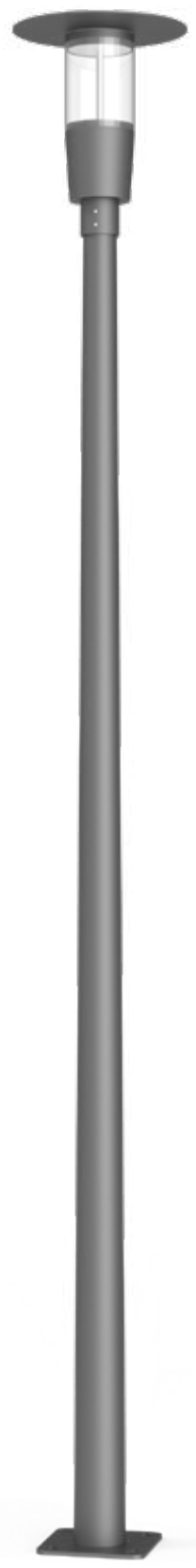
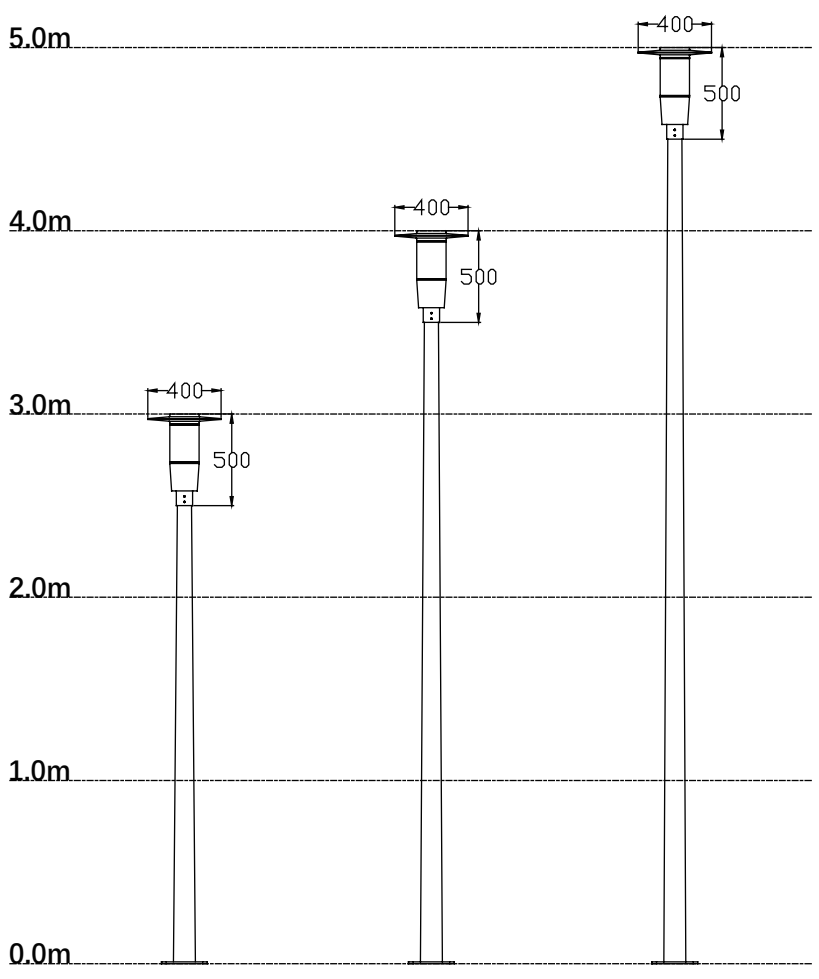


9004

9006

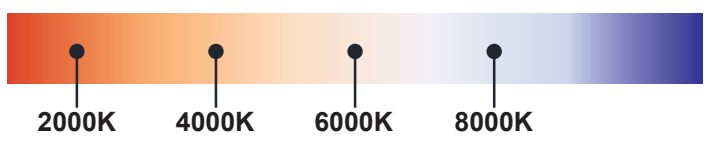
9007

9016



DM-MF31a

Colo(u)r temperature

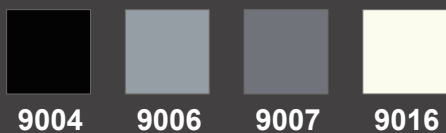




Rated power	30W~60W	Power Factor	> 0.9
LED Quantity	30-60pcs	Life	> 50000H
Color Temperature	6000k/4000k/3000k	THD	< 15%
Luminous Flux	2700lm~5400lm	Frequency Range	50/60HZ
Input Voltage	AC220~240V	Installation Pipe Diameter	/
Protection Grade	IP65	CRI	> 90
Operating Temperature	-30~50°C		

DM-MF31a

Standard colours

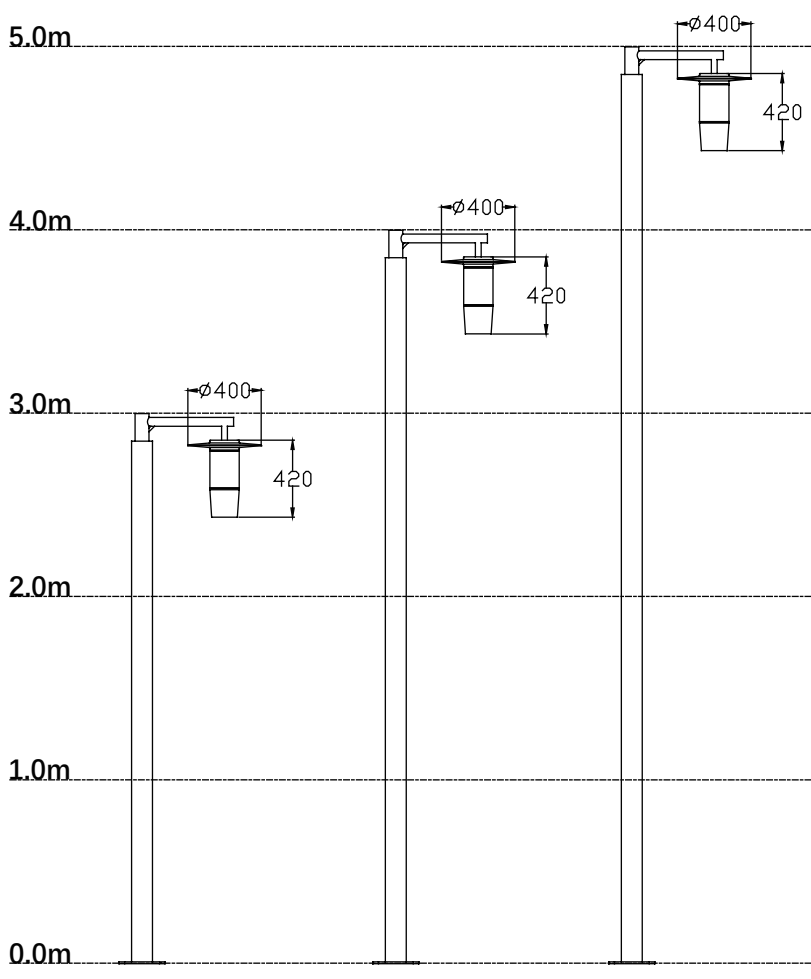


9004

9006

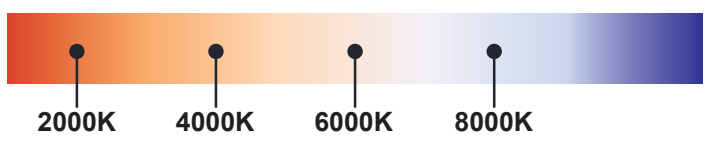
9007

9016



DM-MF31b

Colo(u)r temperature

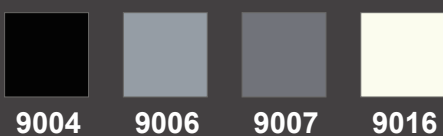




Rated power	30W~60W	Power Factor	> 0.9
LED Quantity	30-60pcs	Life	> 50000H
Color Temperature	6000k/4000k/3000k	THD	< 15%
Luminous Flux	2700lm~5400lm	Frequency Range	50/60HZ
Input Voltage	AC220~240V	Installation Pipe Diameter	/
Protection Grade	IP65	CRI	> 90
Operating Temperature	-30~50°C		

DM-MF31b

Standard colours

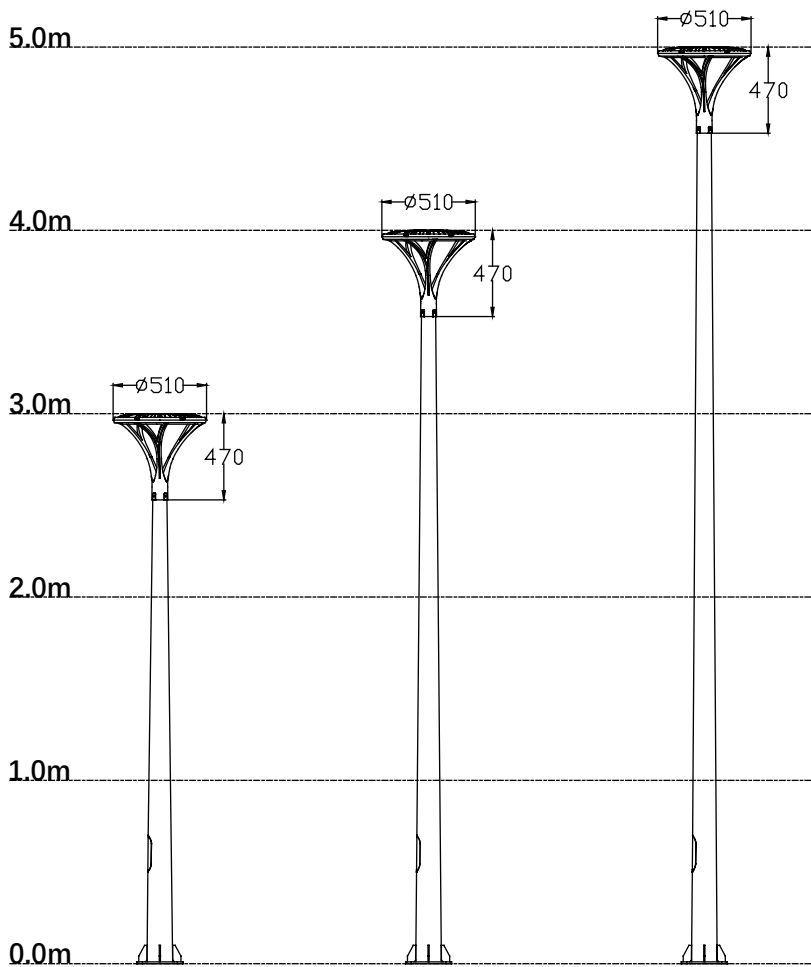


9004

9006

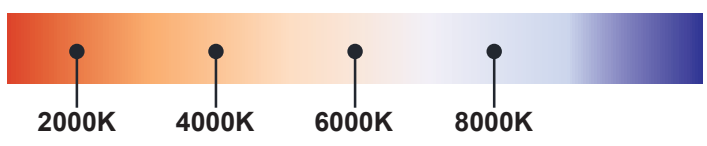
9007

9016



DM-MF32a

Colo(u)r temperature

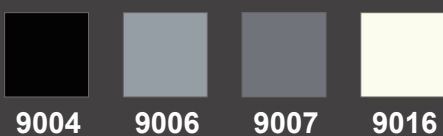


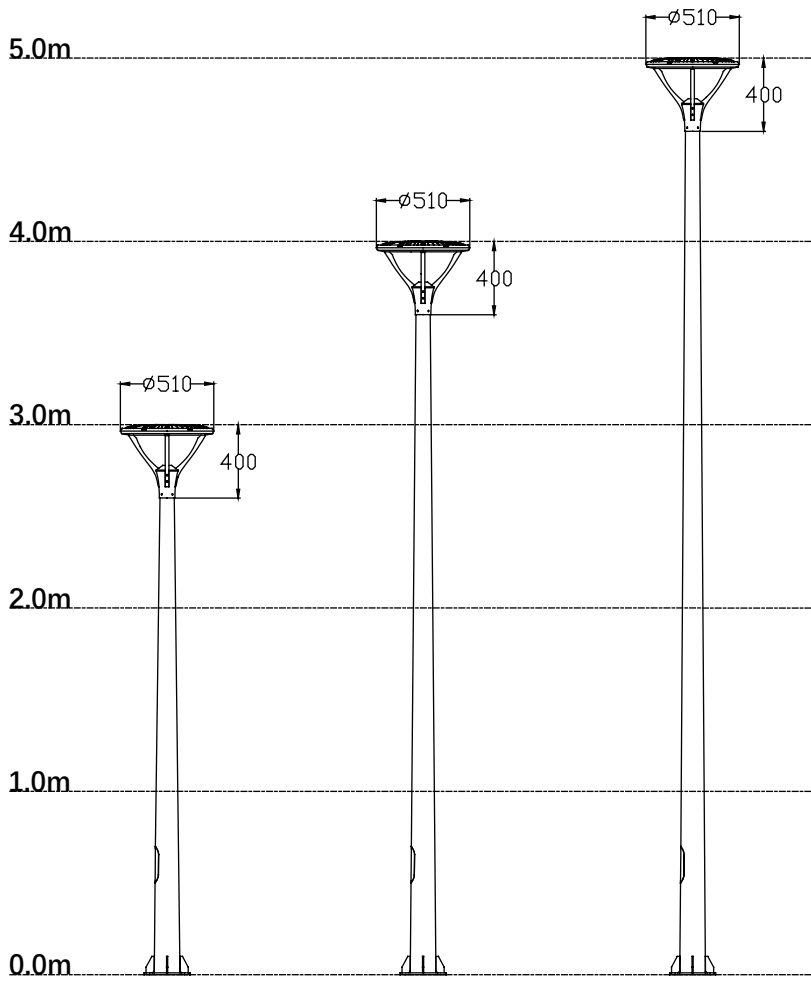


Rated power	30W~60W	Power Factor	> 0.9
LED Quantity	30-60pcs	Life	> 50000H
Color Temperature	6000k/4000k/3000k	THD	< 15%
Luminous Flux	2700lm~5400lm	Frequency Range	50/60HZ
Input Voltage	AC220~240V	Installation Pipe Diameter	/
Protection Grade	IP65	CRI	> 90
Operating Temperature	-30~50°C		

DM-MF32a

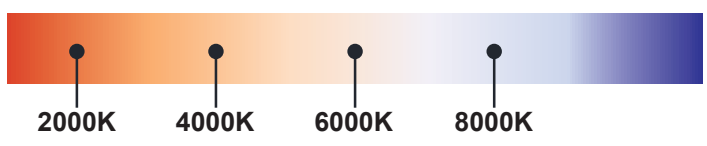
Standard colours





DM-MF33a

Colo(u)r temperature

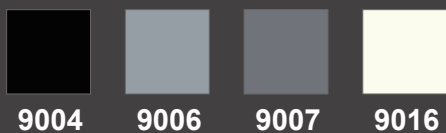




Rated power	30W~60W	Power Factor	> 0.9
LED Quantity	30-60pcs	Life	> 50000H
Color Temperature	6000k/4000k/3000k	THD	< 15%
Luminous Flux	2700lm~5400lm	Frequency Range	50/60HZ
Input Voltage	AC220~240V	Installation Pipe Diameter	/
Protection Grade	IP65	CRI	> 90
Operating Temperature	-30~50°C		

DM-MF33a

Standard colours

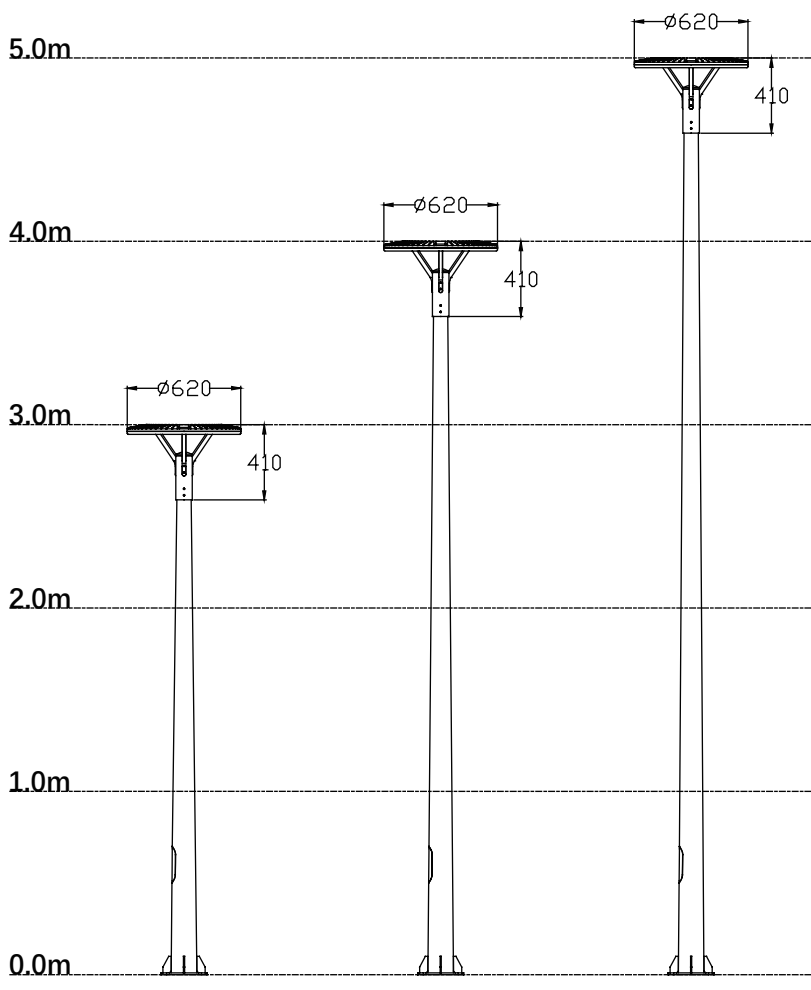


9004

9006

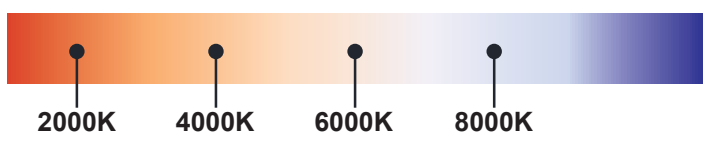
9007

9016



DM-MF34a

Colo(u)r temperature

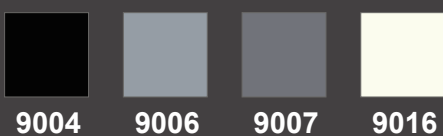




Rated power	30W~60W	Power Factor	> 0.9
LED Quantity	30-60pcs	Life	> 50000H
Color Temperature	6000k/4000k/3000k	THD	< 15%
Luminous Flux	2700lm~5400lm	Frequency Range	50/60HZ
Input Voltage	AC220~240V	Installation Pipe Diameter	/
Protection Grade	IP65	CRI	> 90
Operating Temperature	-30~50°C		

DM-M34a

Standard colours

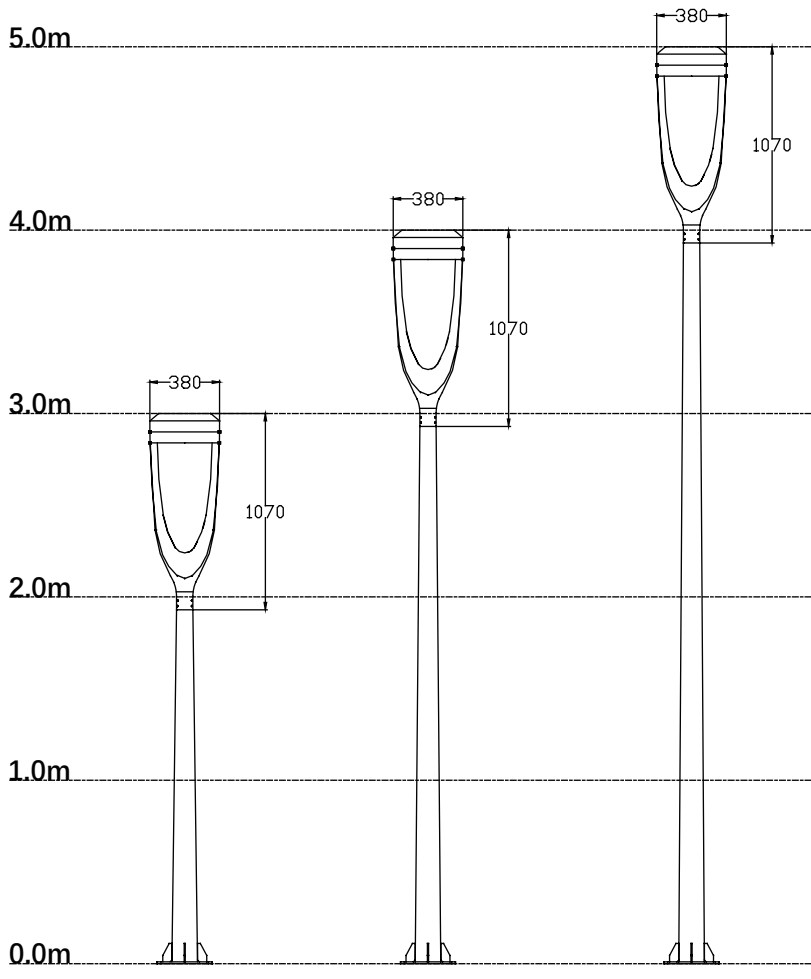


9004

9006

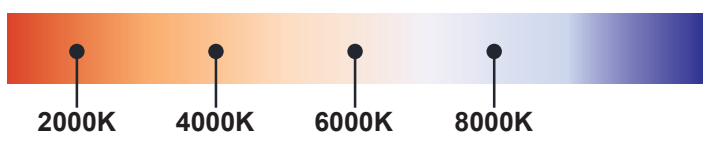
9007

9016



DM-MF-35a

Colo(u)r temperature

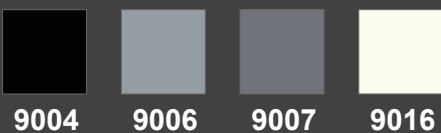


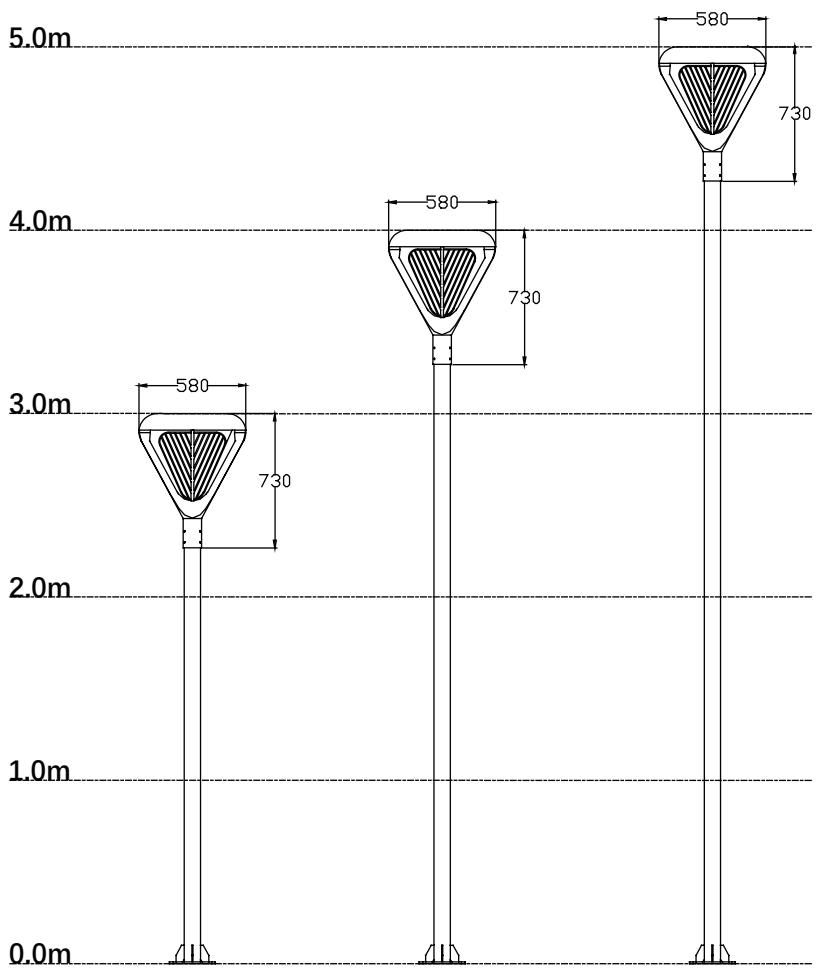
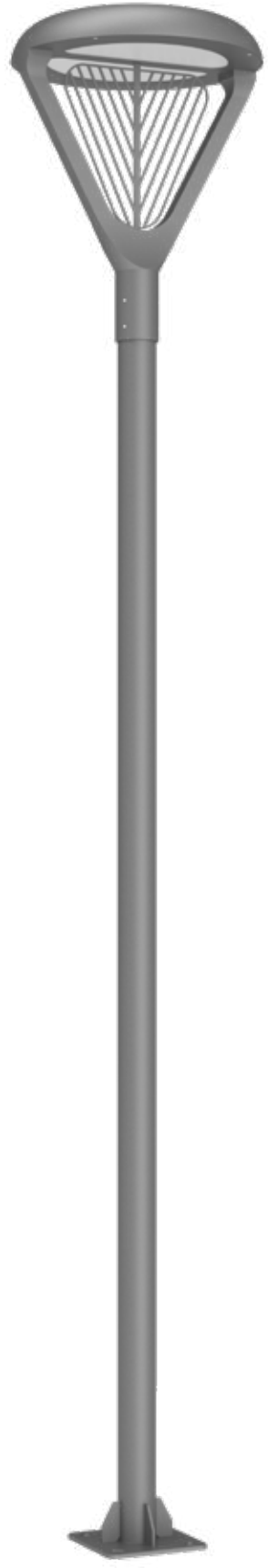


Rated power	30W~60W	Power Factor	> 0.9
LED Quantity	30-60pcs	Life	> 50000H
Color Temperature	6000k/4000k/3000k	THD	< 15%
Luminous Flux	2700lm~5400lm	Frequency Range	50/60HZ
Input Voltage	AC220~240V	Installation Pipe Diameter	/
Protection Grade	IP65	CRI	> 90
Operating Temperature	-30~50°C		

DM-MF35a

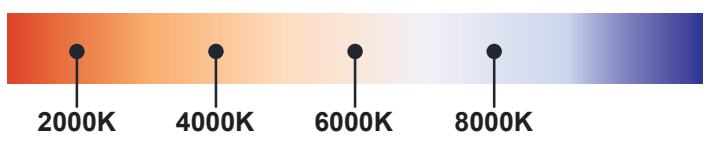
Standard colours





DM-MF-36a

Colo(u)r temperature

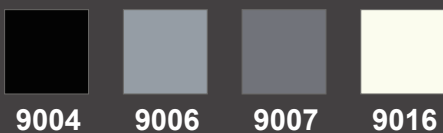




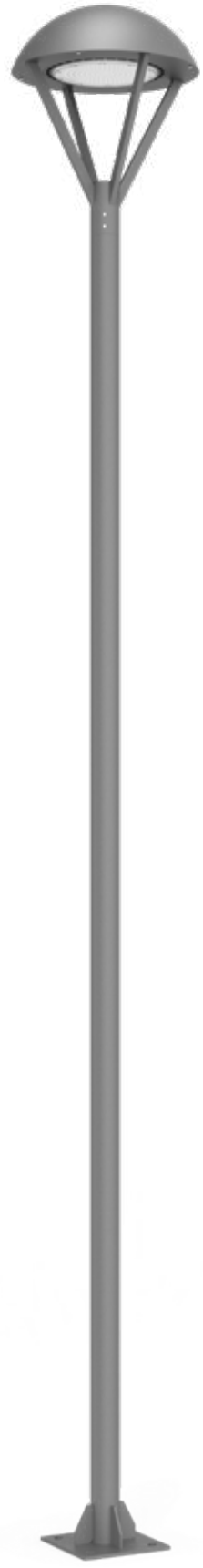
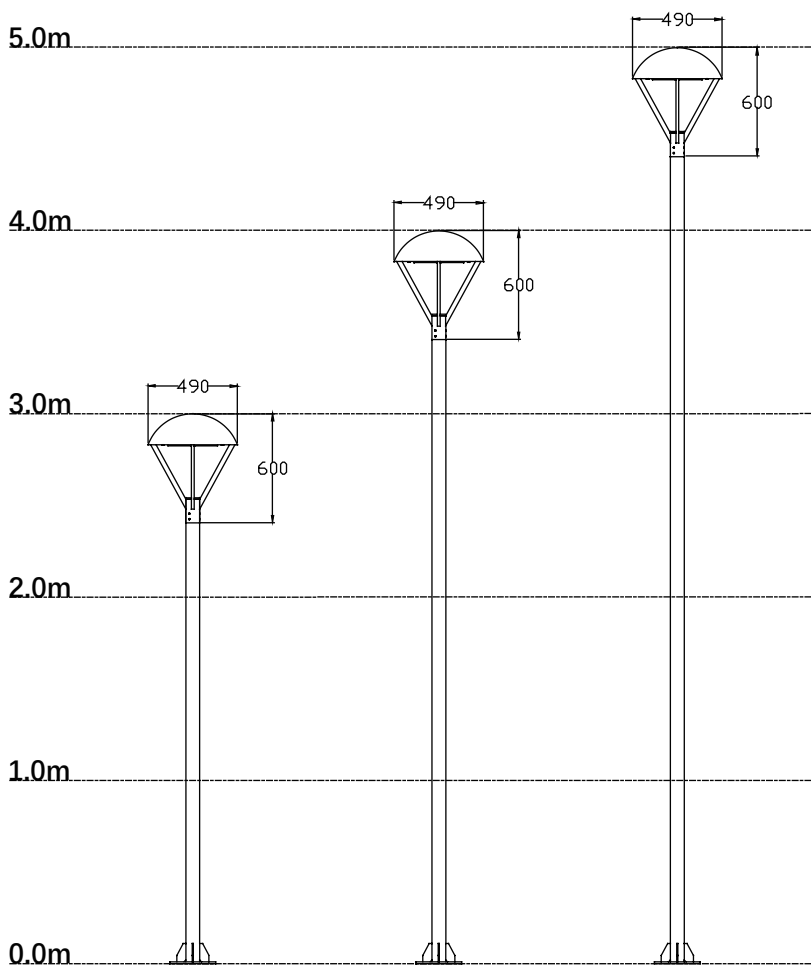
Rated power	30W~60W	Power Factor	> 0.9
LED Quantity	30-60pcs	Life	> 50000H
Color Temperature	6000k/4000k/3000k	THD	< 15%
Luminous Flux	2700lm~5400lm	Frequency Range	50/60HZ
Input Voltage	AC220~240V	Installation Pipe Diameter	/
Protection Grade	IP65	CRI	> 90
Operating Temperature	-30~50°C		

DM-MF36a

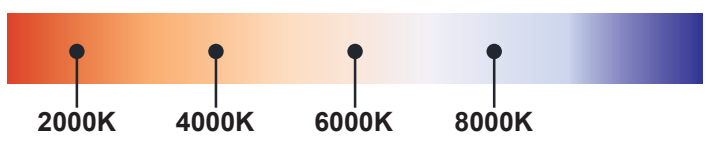
Standard colours



DM-MF37a



Colo(u)r temperature

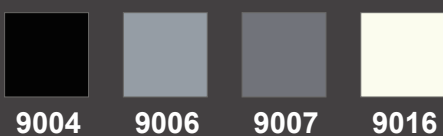


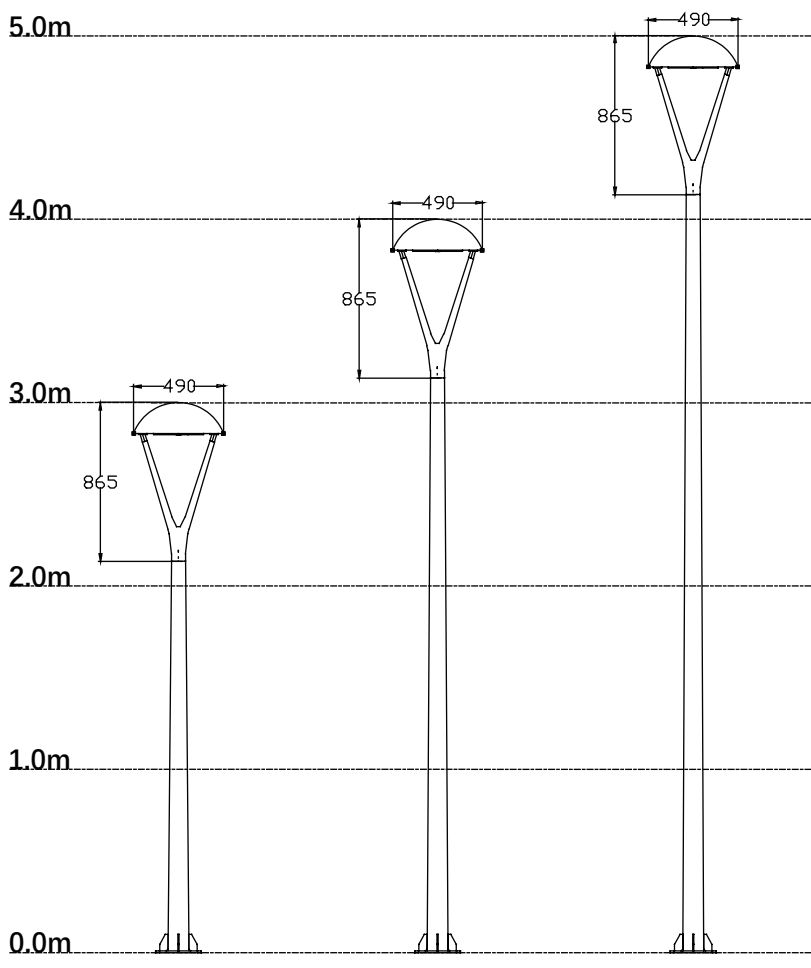
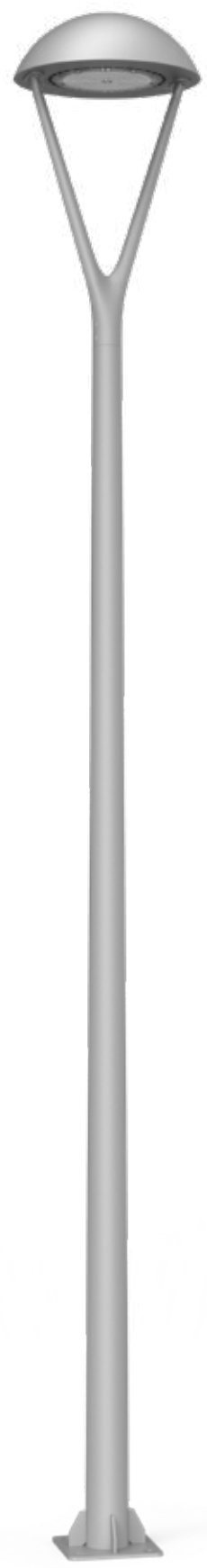


Rated power	30W~60W	Power Factor	> 0.9
LED Quantity	30-60pcs	Life	> 50000H
Color Temperature	6000k/4000k/3000k	THD	< 15%
Luminous Flux	2700lm~5400lm	Frequency Range	50/60HZ
Input Voltage	AC220~240V	Installation Pipe Diameter	/
Protection Grade	IP65	CRI	> 90
Operating Temperature	-30~50°C		

DM-MF37a

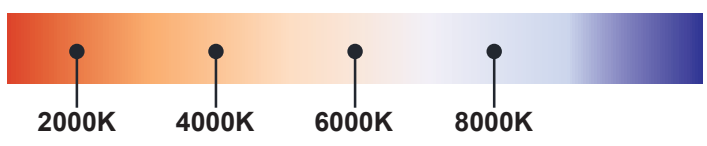
Standard colours





DM-MF-38a

Colo(u)r temperature

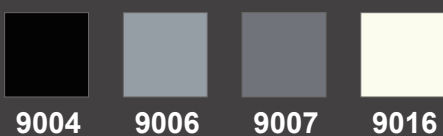




Rated power	30W~60W	Power Factor	> 0.9
LED Quantity	30-60pcs	Life	> 50000H
Color Temperature	6000k/4000k/3000k	THD	< 15%
Luminous Flux	2700lm~5400lm	Frequency Range	50/60HZ
Input Voltage	AC220~240V	Installation Pipe Diameter	/
Protection Grade	IP65	CRI	> 90
Operating Temperature	-30~50°C		

DM-MF38a

Standard colours



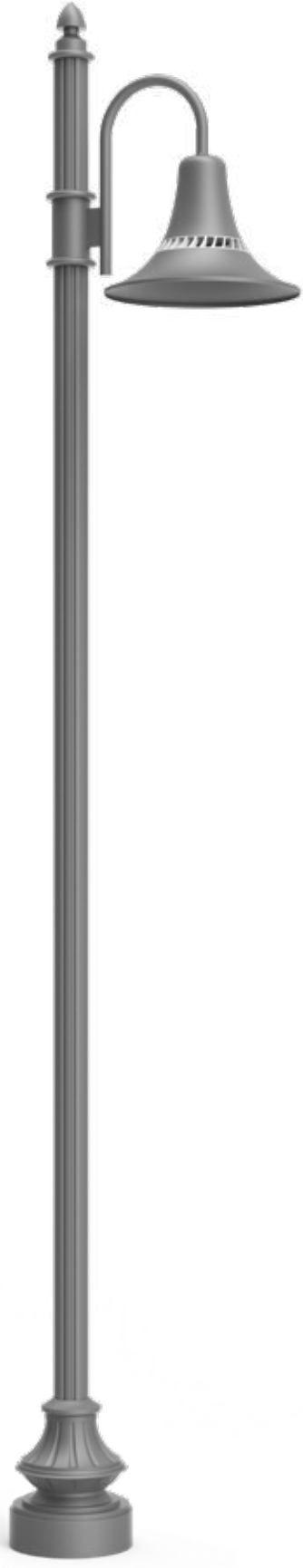
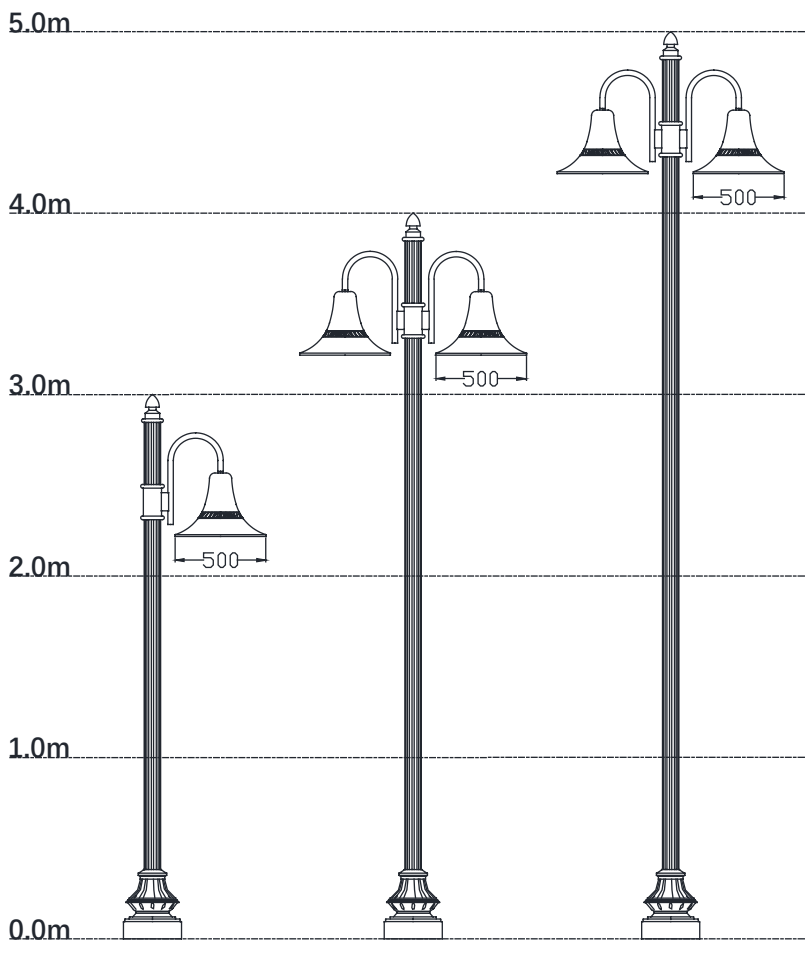
9004

9006

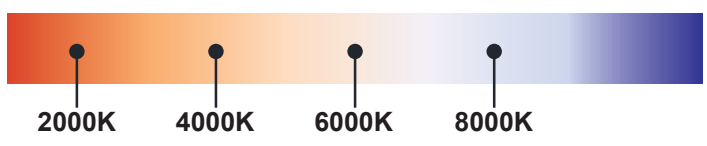
9007

9016

DM-OS1a



Colo(u)r temperature

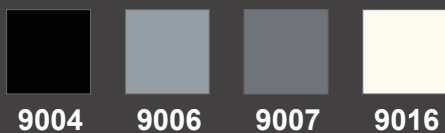




Rated power	30W~60W	Power Factor	> 0.9
LED Quantity	30-60pcs	Life	> 50000H
Color Temperature	6000k/4000k/3000k	THD	< 15%
Luminous Flux	2700lm~5400lm	Frequency Range	50/60HZ
Input Voltage	AC220~240V	Installation Pipe Diameter	/
Protection Grade	IP65	CRI	> 90
Operating Temperature	-30~50°C		

DM-OS1a

Standard colours

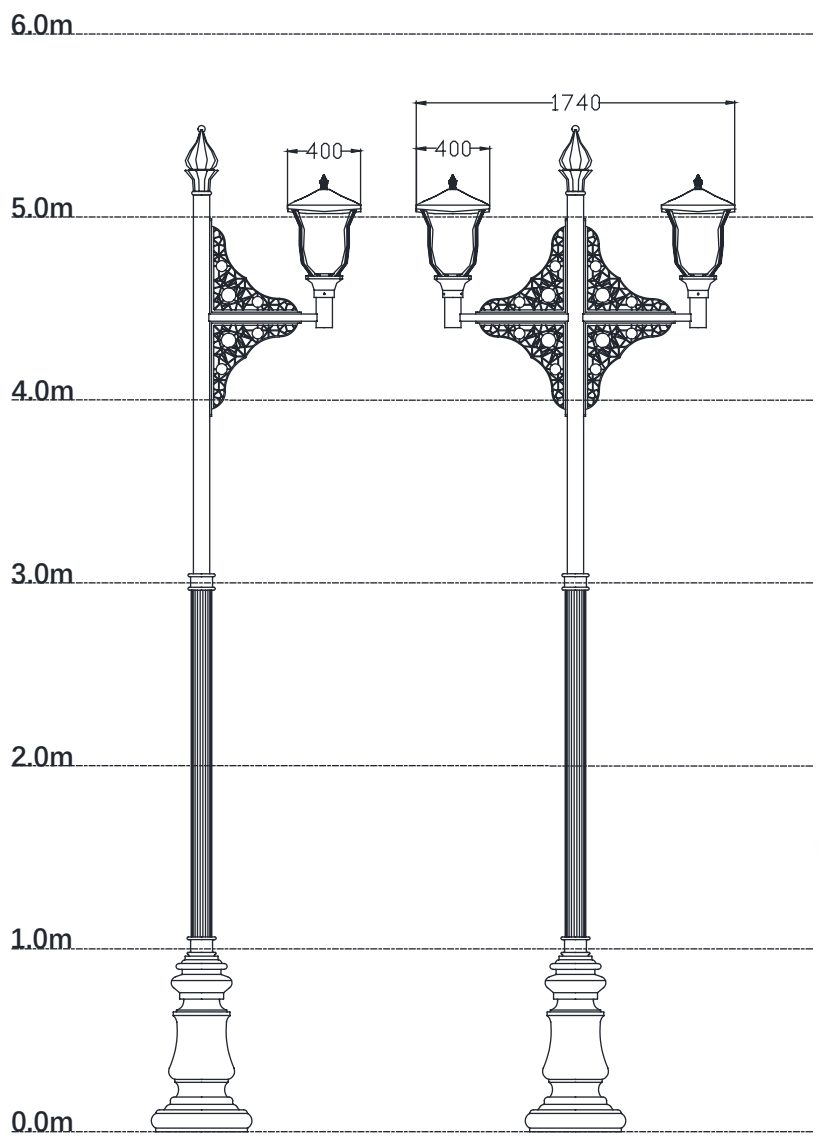


9004

9006

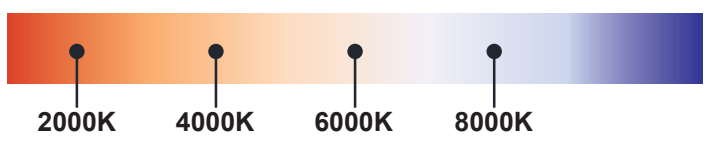
9007

9016



DM-OS2a

Colo(u)r temperature

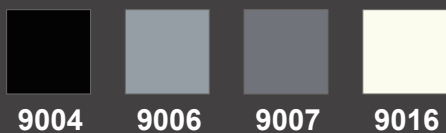


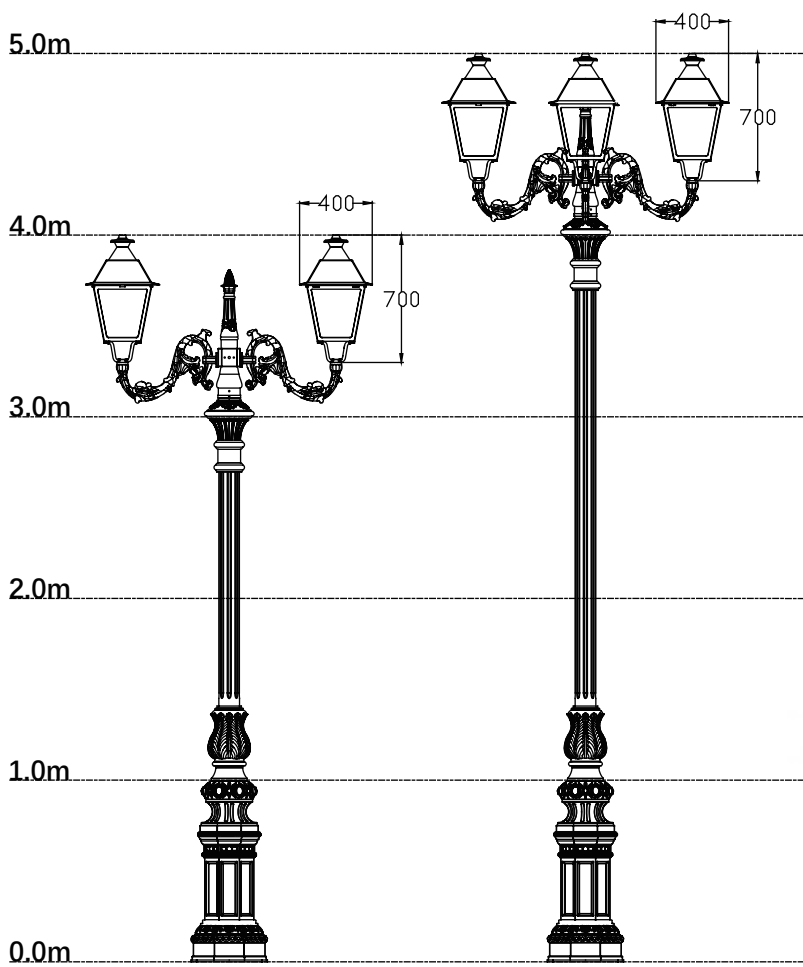
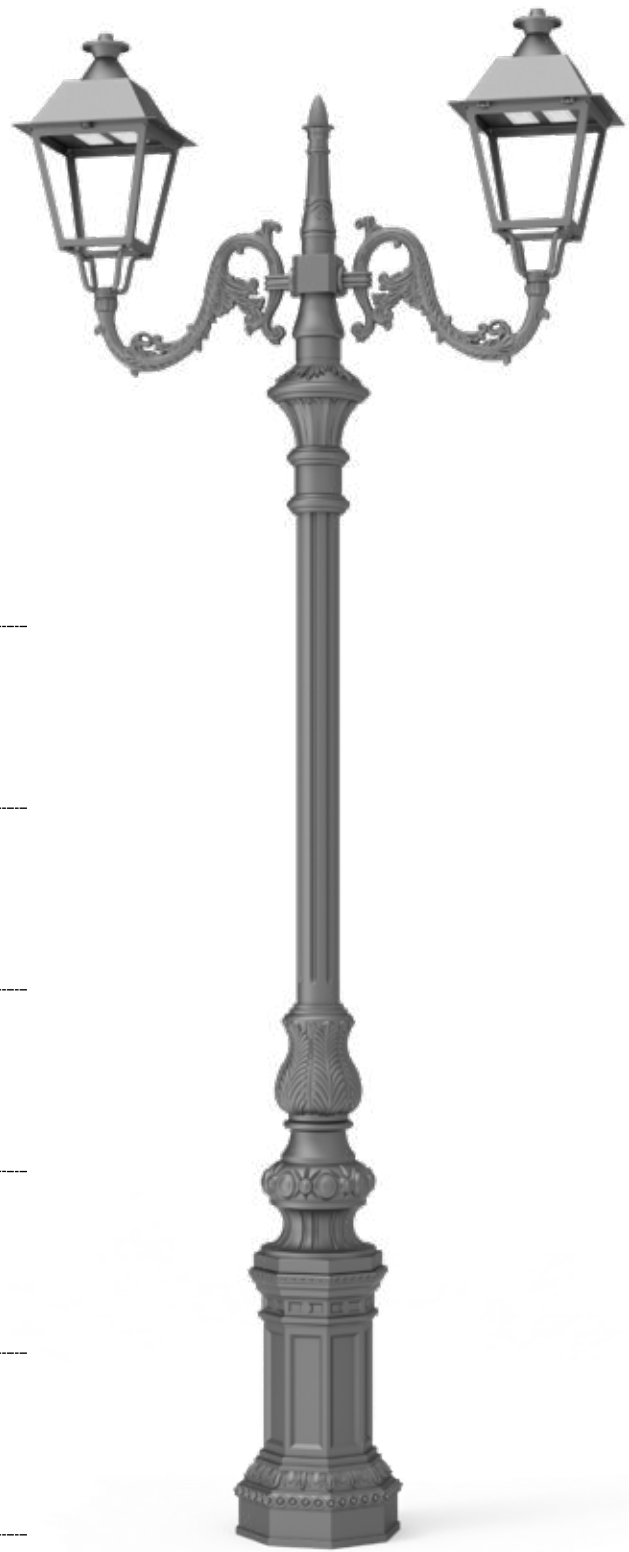


Rated power	30W~60W	Power Factor	> 0.9
LED Quantity	30-60pcs	Life	> 50000H
Color Temperature	6000k/4000k/3000k	THD	< 15%
Luminous Flux	2700lm~5400lm	Frequency Range	50/60HZ
Input Voltage	AC220~240V	Installation Pipe Diameter	/
Protection Grade	IP65	CRI	> 90
Operating Temperature	-30~50°C		

DM-OS2a

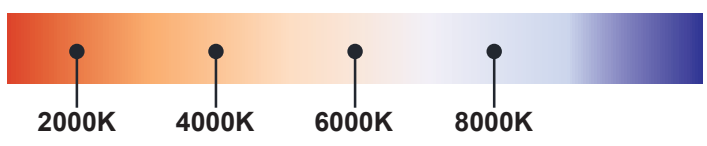
Standard colours





DM-OS3a

Colo(u)r temperature



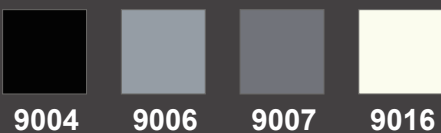
D5



Rated power	30W~60W	Power Factor	> 0.9
LED Quantity	30-60pcs	Life	> 50000H
Color Temperature	6000k/4000k/3000k	THD	< 15%
Luminous Flux	2700lm~5400lm	Frequency Range	50/60HZ
Input Voltage	AC220~240V	Installation Pipe Diameter	/
Protection Grade	IP65	CRI	> 90
Operating Temperature	-30~50°C		

DM-OS3a

Standard colours



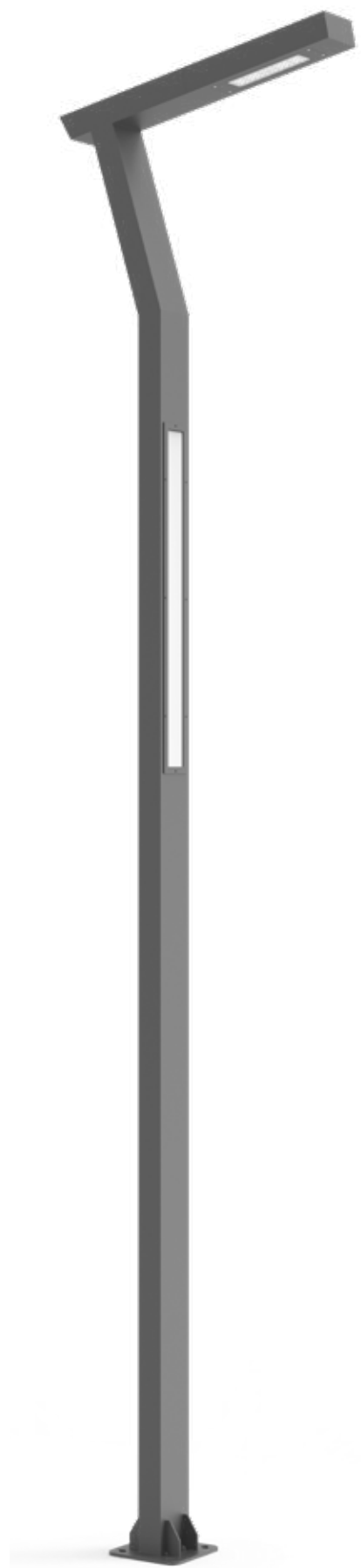
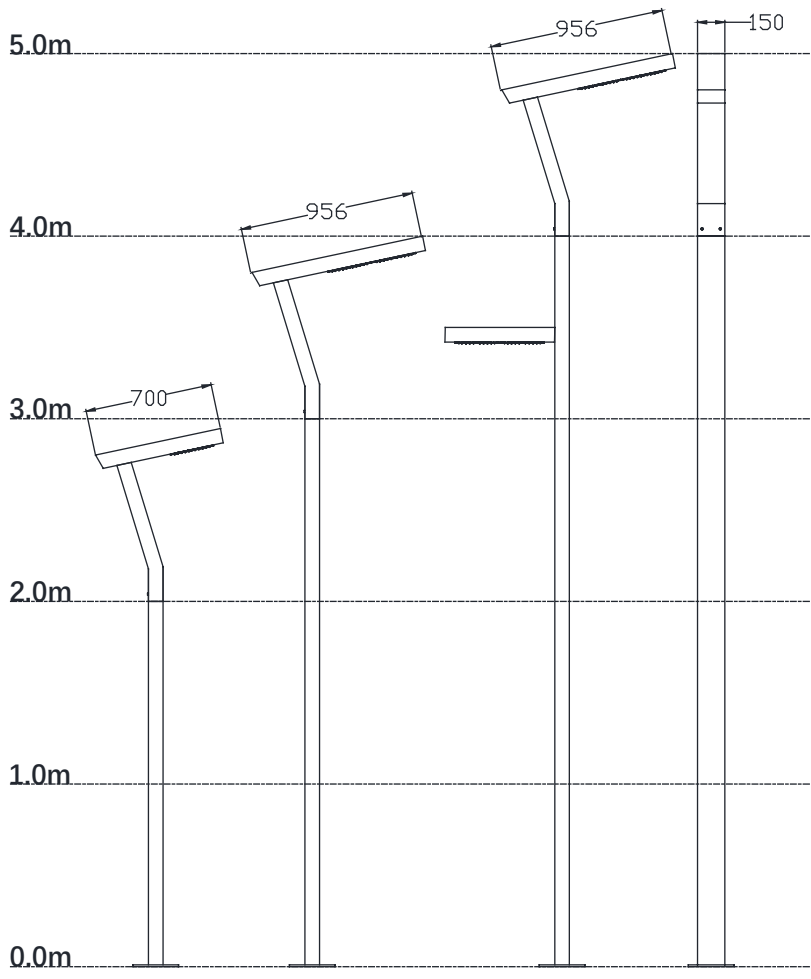
9004

9006

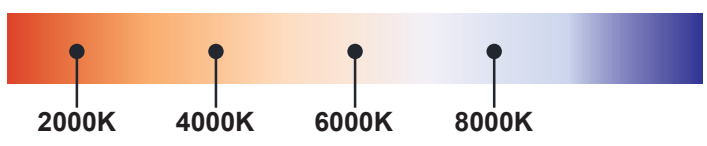
9007

9016

DM-LX1a



Colo(u)r temperature

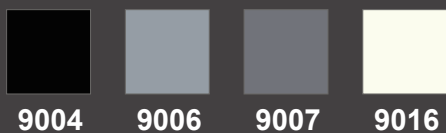




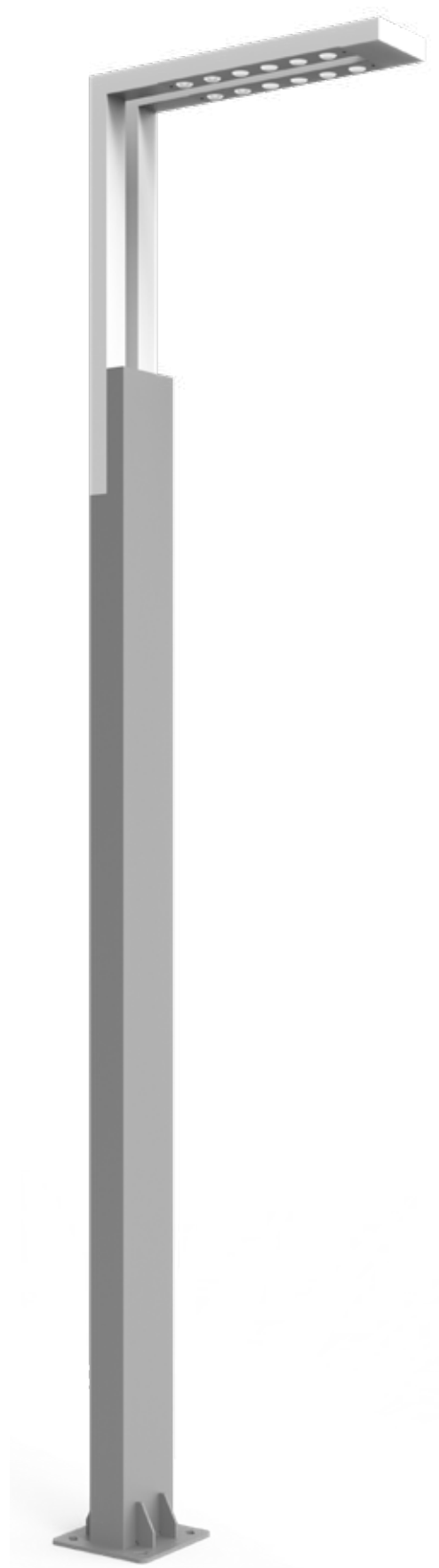
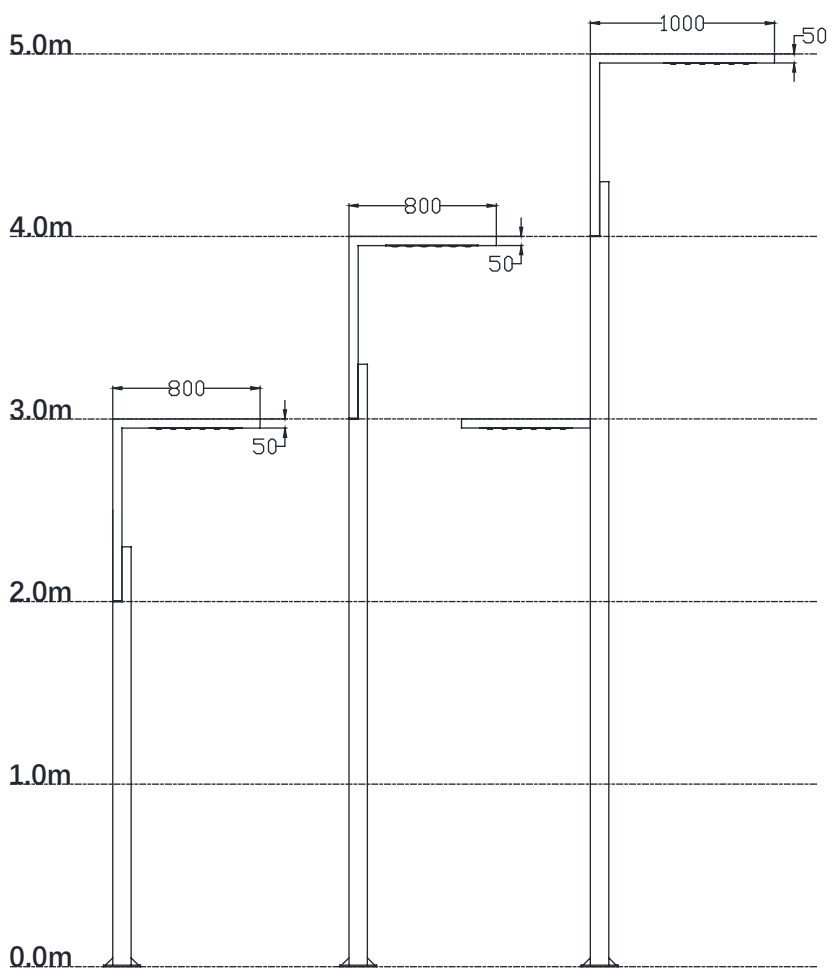
Rated power	30W~60W	Power Factor	> 0.9
LED Quantity	30-60pcs	Life	> 50000H
Color Temperature	6000k/4000k/3000k	THD	< 15%
Luminous Flux	2700lm~5400lm	Frequency Range	50/60HZ
Input Voltage	AC220~240V	Installation Pipe Diameter	/
Protection Grade	IP65	CRI	> 90
Operating Temperature	-30~50°C		

DM-LX1a

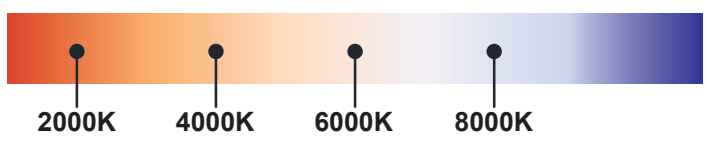
Standard colours



DM-LX2a



Colo(u)r temperature

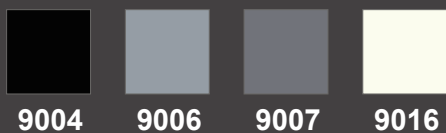


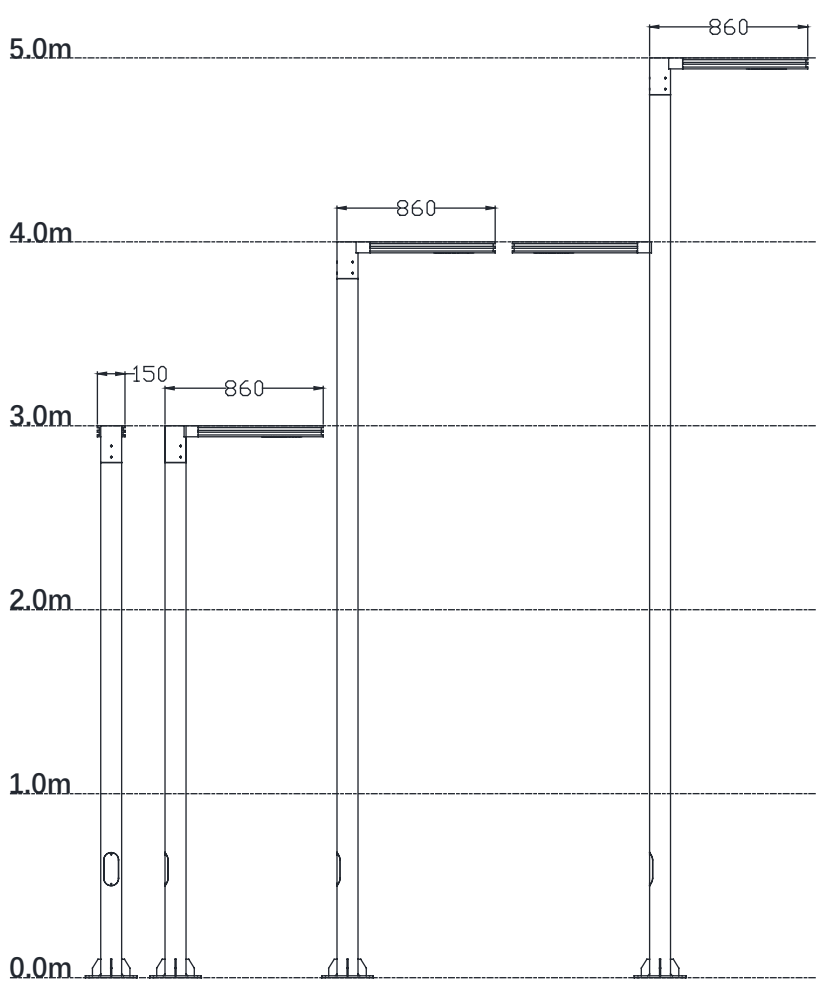
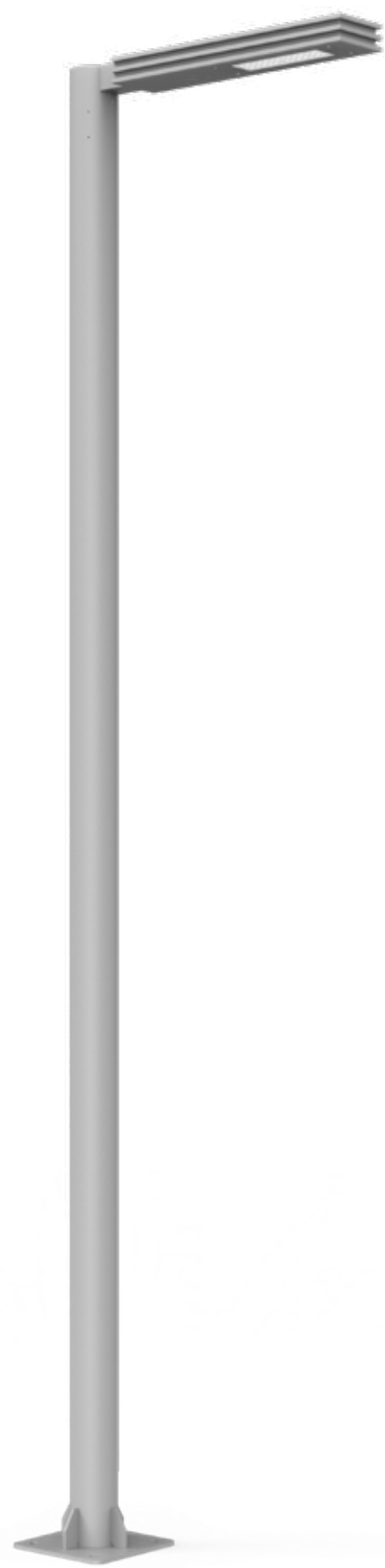


Rated power	30W~60W	Power Factor	> 0.9
LED Quantity	30-60pcs	Life	> 50000H
Color Temperature	6000k/4000k/3000k	THD	< 15%
Luminous Flux	2700lm~5400lm	Frequency Range	50/60HZ
Input Voltage	AC220~240V	Installation Pipe Diameter	/
Protection Grade	IP65	CRI	> 90
Operating Temperature	-30~50°C		

DM-LX1a

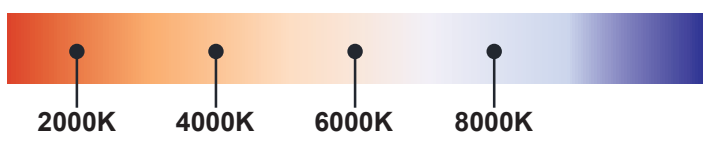
Standard colours





DM-LX3a

Colo(u)r temperature





Rated power	30W~60W	Power Factor	> 0.9
LED Quantity	30-60pcs	Life	> 50000H
Color Temperature	6000k/4000k/3000k	THD	< 15%
Luminous Flux	2700lm~5400lm	Frequency Range	50/60HZ
Input Voltage	AC220~240V	Installation Pipe Diameter	/
Protection Grade	IP65	CRI	> 90
Operating Temperature	-30~50°C		

DM-LX1a

Standard colours



9004



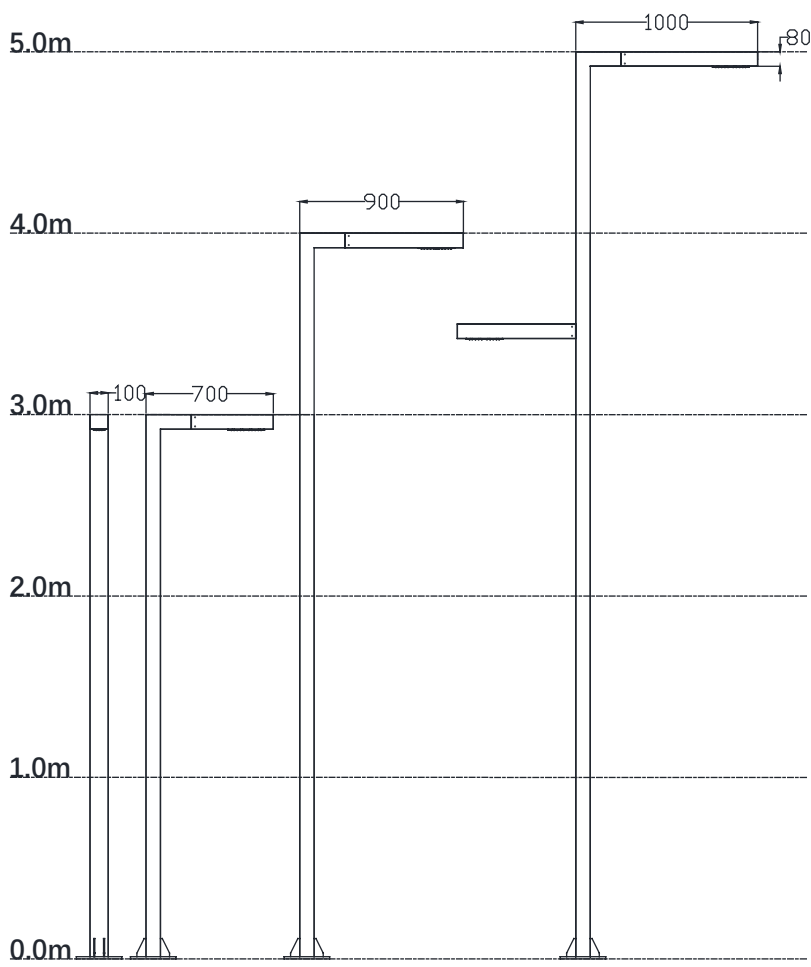
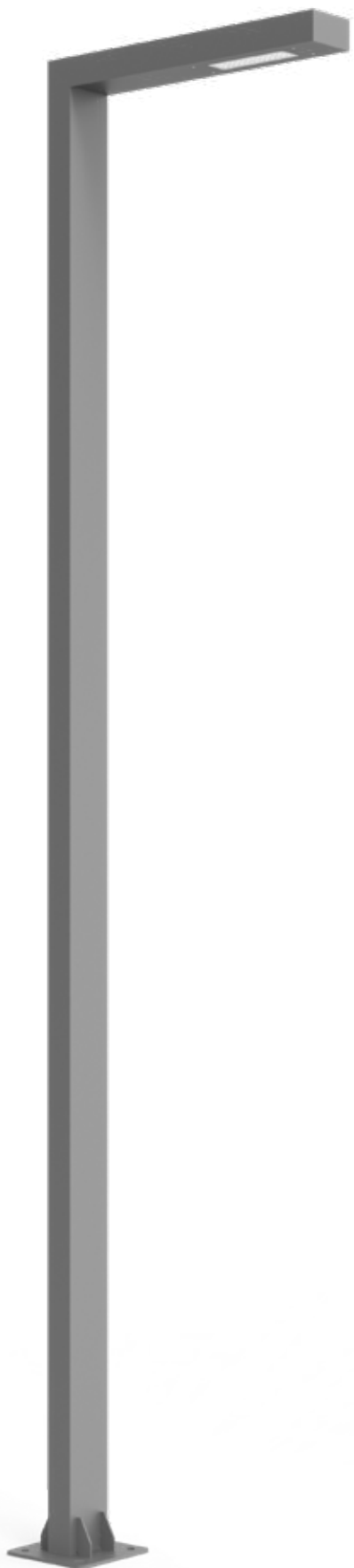
9006



9007

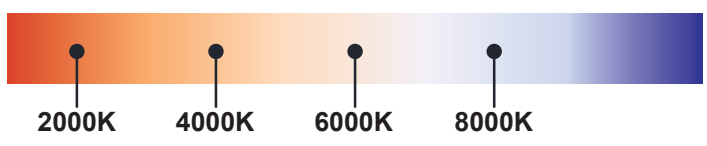


9016



DM-LX4a

Color temperature



E7



Rated power	30W~60W	Power Factor	> 0.9
LED Quantity	30-60pcs	Life	> 50000H
Color Temperature	6000k/4000k/3000k	THD	< 15%
Luminous Flux	2700lm~5400lm	Frequency Range	50/60HZ
Input Voltage	AC220~240V	Installation Pipe Diameter	/
Protection Grade	IP65	CRI	> 90
Operating Temperature	-30~50°C		

DM-LX1a

Standard colours



9004



9006

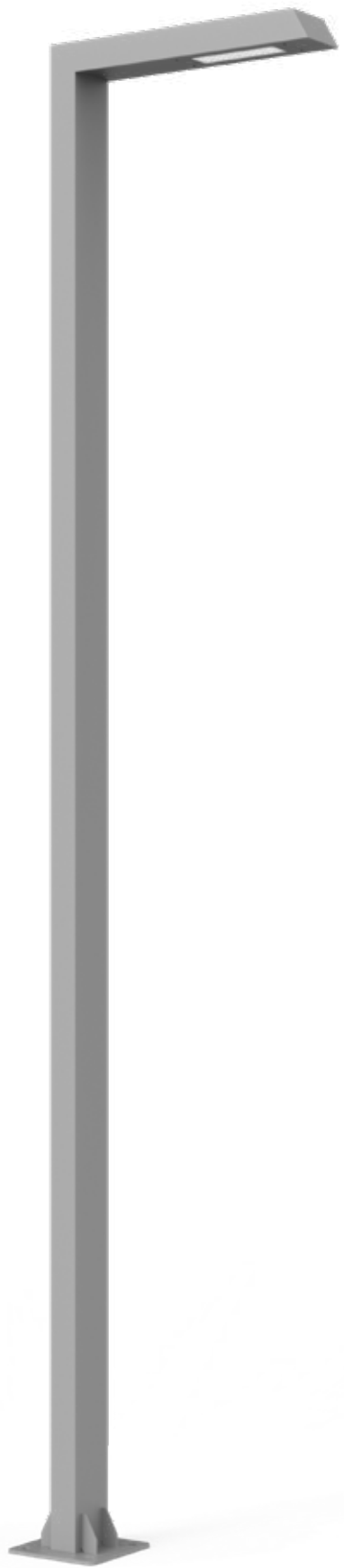
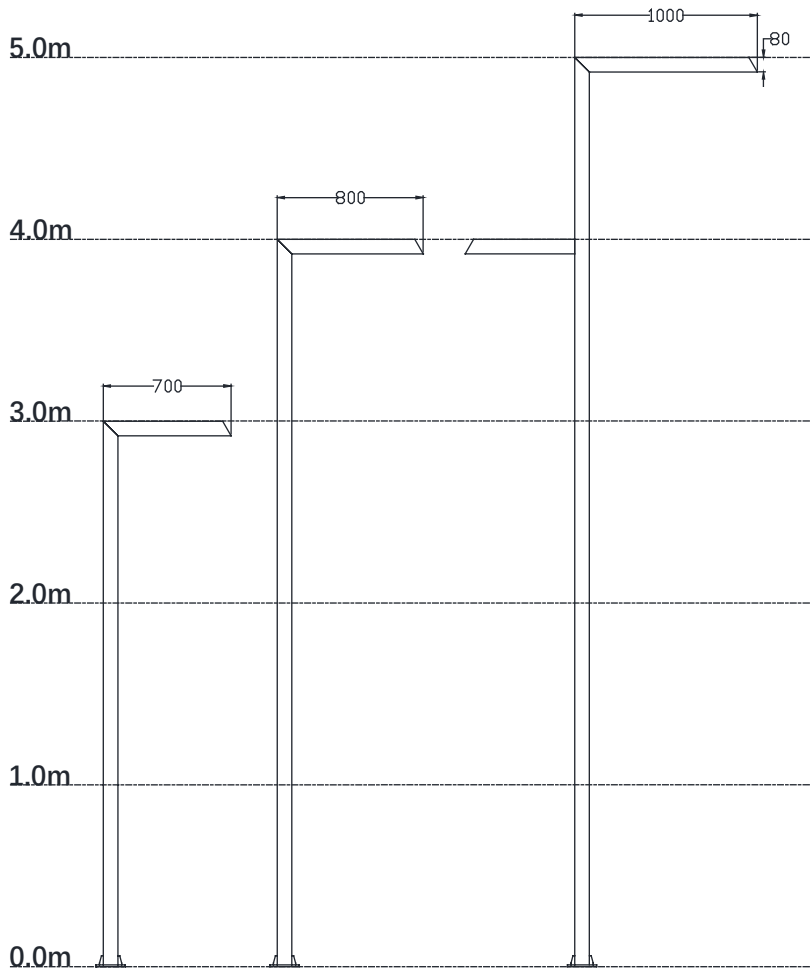


9007

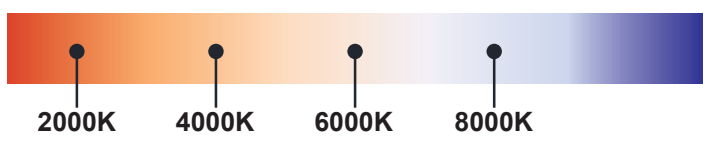


9016

DM-LX5a



Colo(u)r temperature

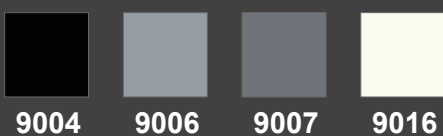


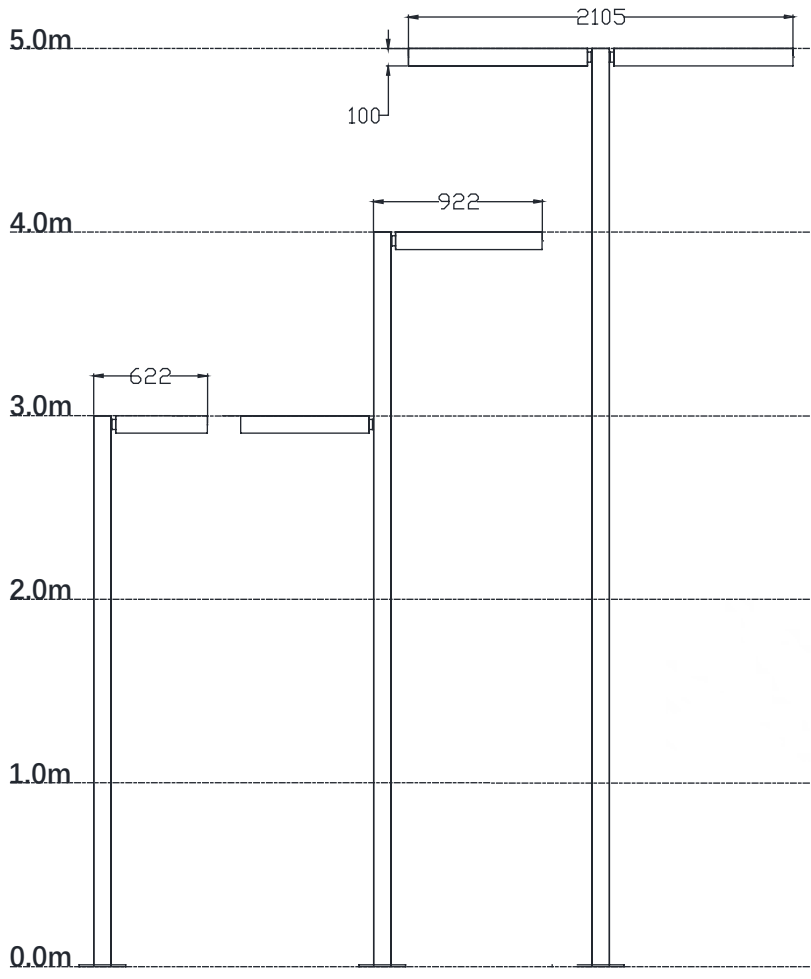
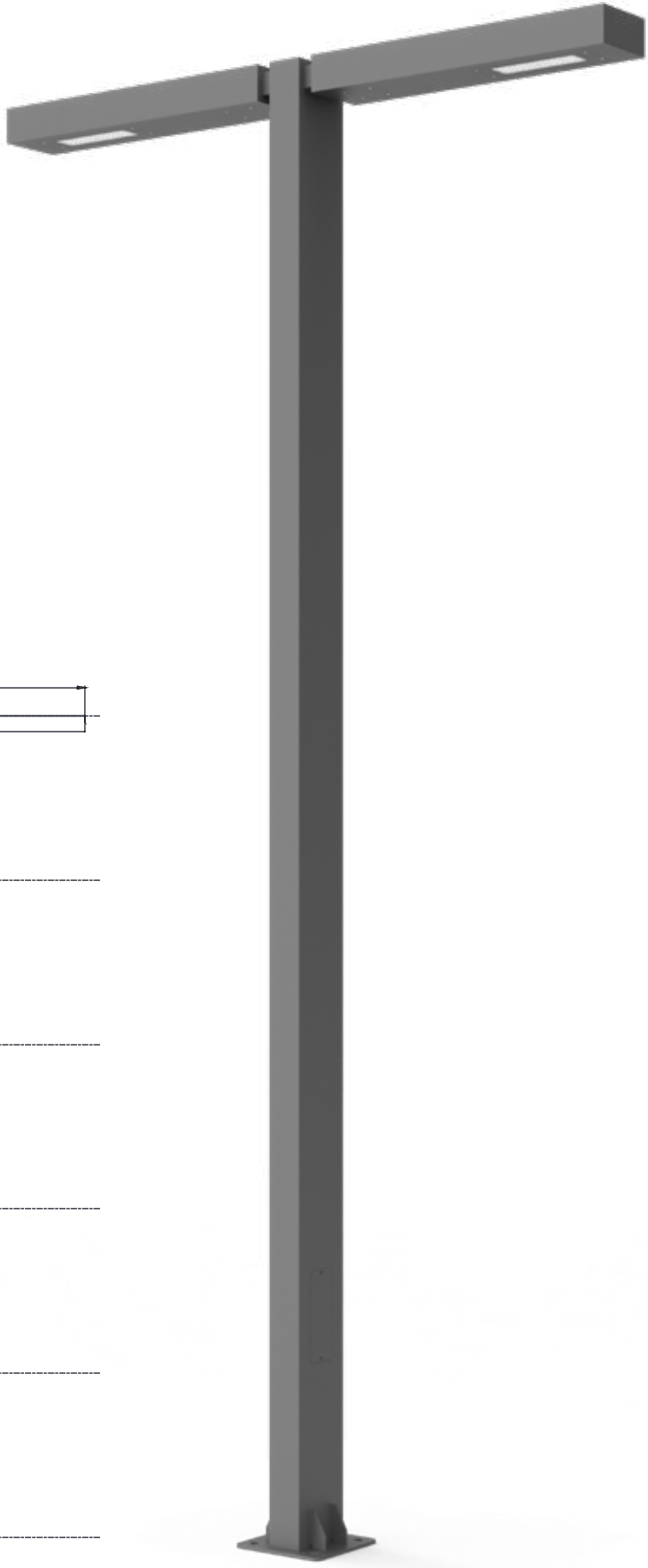


Rated power	30W~60W	Power Factor	> 0.9
LED Quantity	30-60pcs	Life	> 50000H
Color Temperature	6000k/4000k/3000k	THD	< 15%
Luminous Flux	2700lm~5400lm	Frequency Range	50/60HZ
Input Voltage	AC220~240V	Installation Pipe Diameter	/
Protection Grade	IP65	CRI	> 90
Operating Temperature	-30~50°C		

DM-LX1a

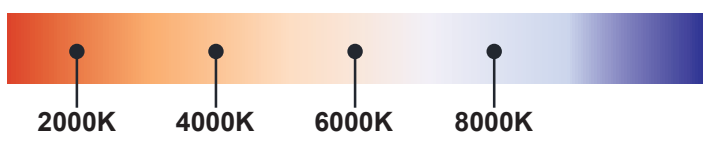
Standard colours





DM-LX6a

Colo(u)r temperature

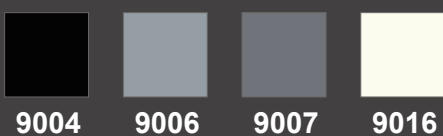




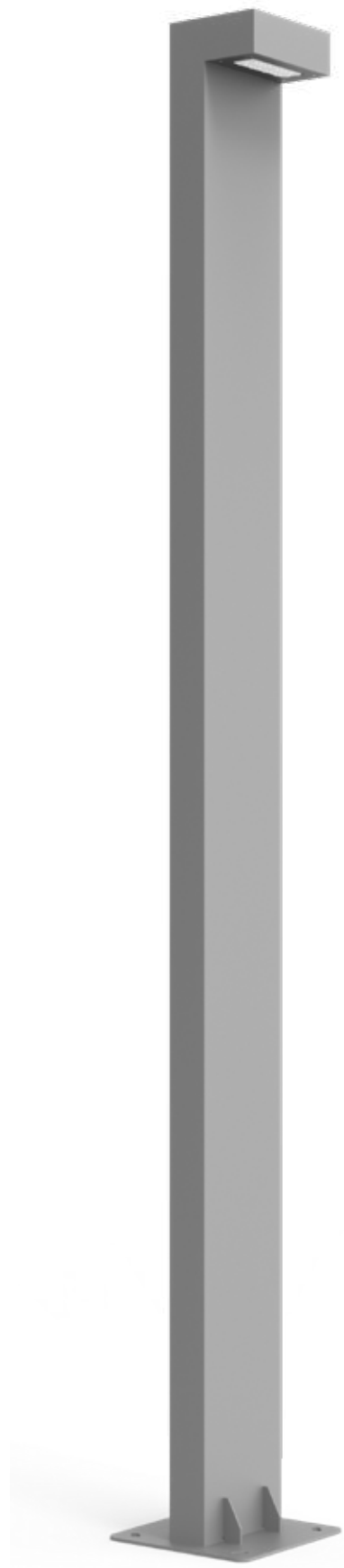
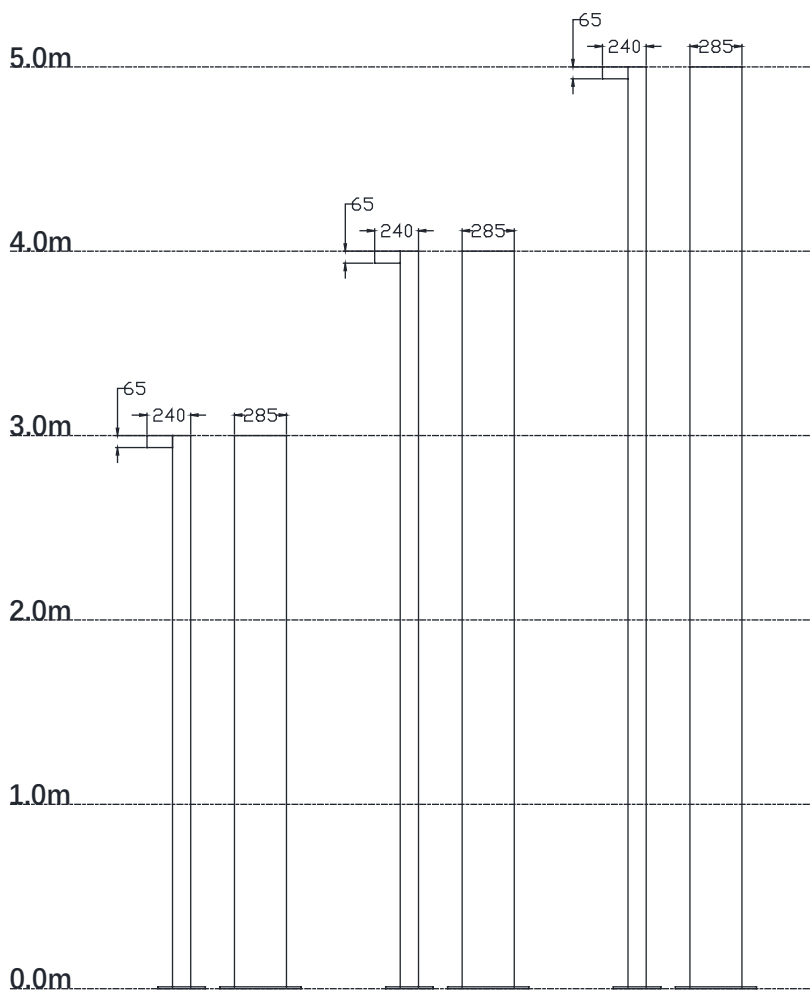
Rated power	30W~60W	Power Factor	> 0.9
LED Quantity	30-60pcs	Life	> 50000H
Color Temperature	6000k/4000k/3000k	THD	< 15%
Luminous Flux	2700lm~5400lm	Frequency Range	50/60HZ
Input Voltage	AC220~240V	Installation Pipe Diameter	/
Protection Grade	IP65	CRI	> 90
Operating Temperature	-30~50°C		

DM-LX1a

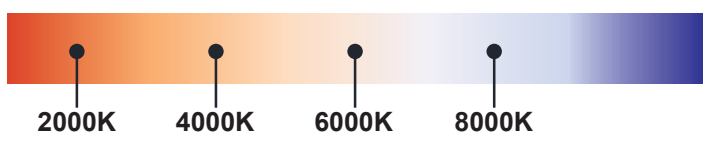
Standard colours



DM-LX7a



Colo(u)r temperature





Rated power	30W~60W	Power Factor	> 0.9
LED Quantity	30-60pcs	Life	> 50000H
Color Temperature	6000k/4000k/3000k	THD	< 15%
Luminous Flux	2700lm~5400lm	Frequency Range	50/60HZ
Input Voltage	AC220~240V	Installation Pipe Diameter	/
Protection Grade	IP65	CRI	> 90
Operating Temperature	-30~50°C		

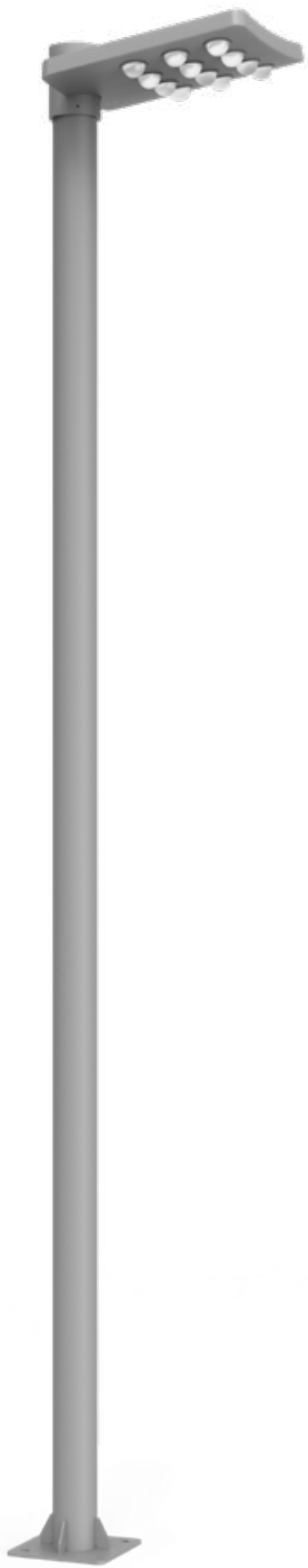
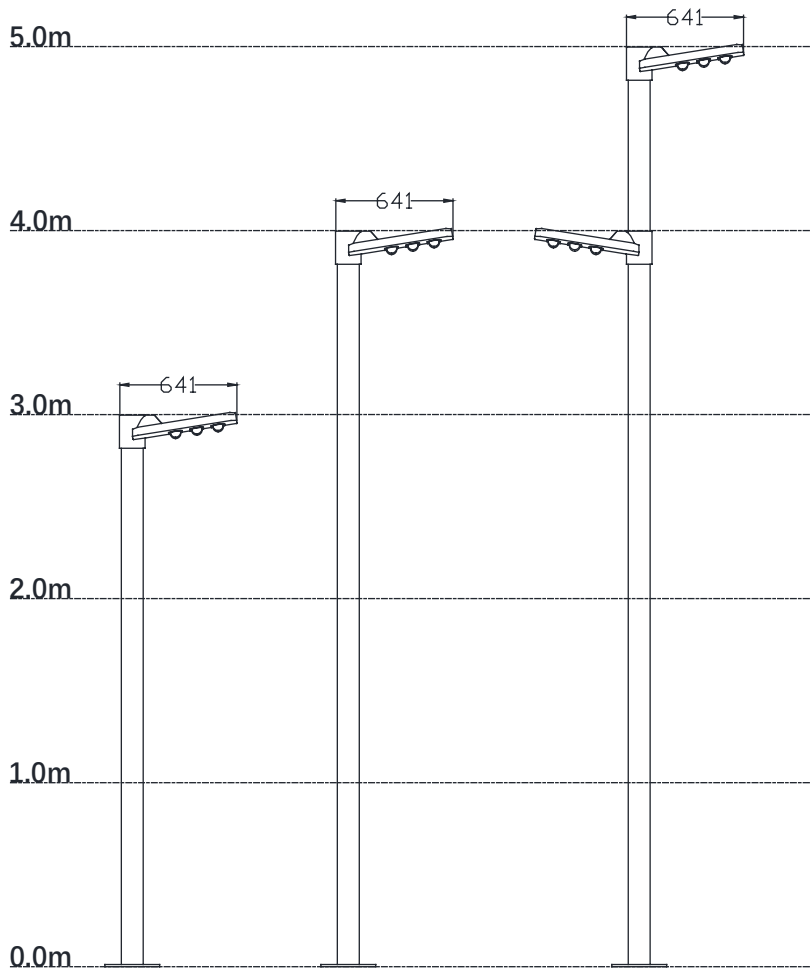
DM-LX1a

Standard colours

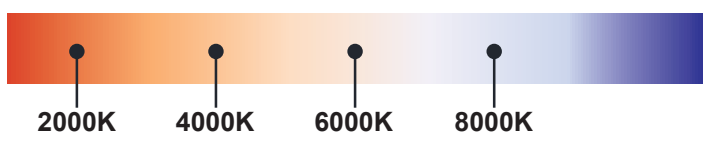


E14

DM-LX8a



Colo(u)r temperature

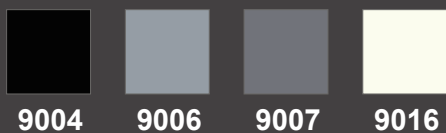




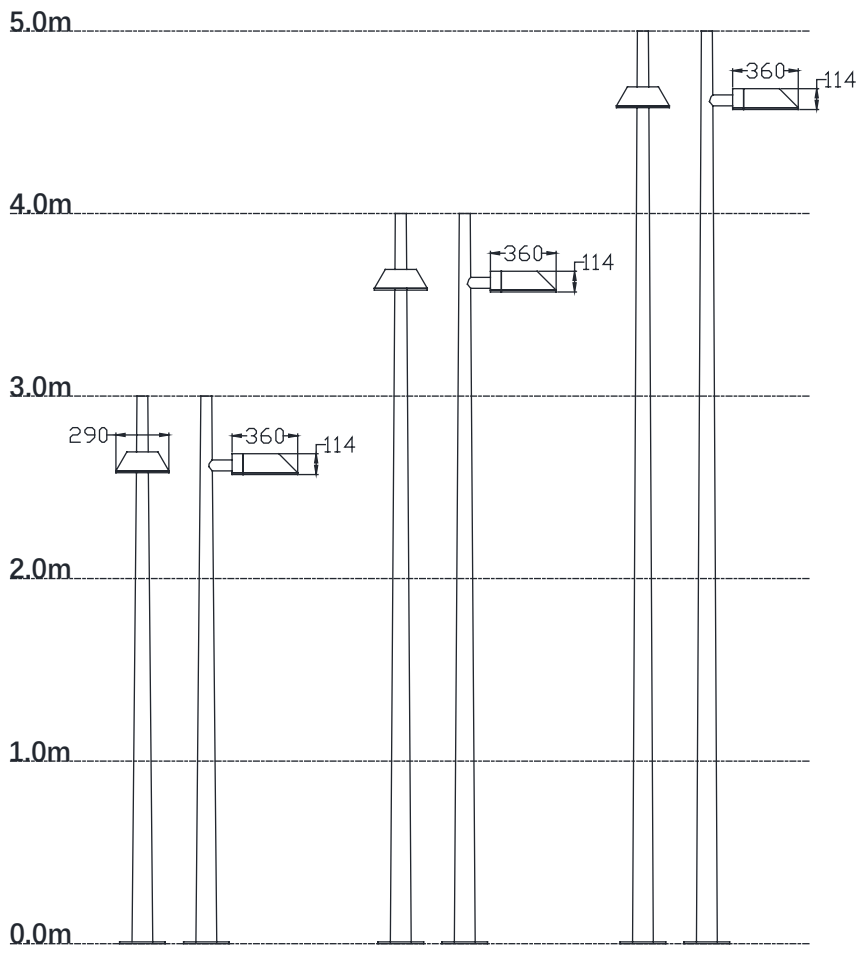
Rated power	30W~60W	Power Factor	> 0.9
LED Quantity	30-60pcs	Life	> 50000H
Color Temperature	6000k/4000k/3000k	THD	< 15%
Luminous Flux	2700lm~5400lm	Frequency Range	50/60HZ
Input Voltage	AC220~240V	Installation Pipe Diameter	/
Protection Grade	IP65	CRI	> 90
Operating Temperature	-30~50°C		

DM-LX1a

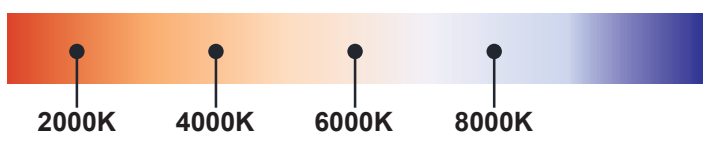
Standard colours



DM-LX9a



Color temperature

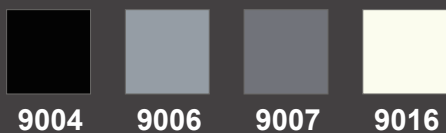




Rated power	30W~60W	Power Factor	> 0.9
LED Quantity	30-60pcs	Life	> 50000H
Color Temperature	6000k/4000k/3000k	THD	< 15%
Luminous Flux	2700lm~5400lm	Frequency Range	50/60HZ
Input Voltage	AC220~240V	Installation Pipe Diameter	/
Protection Grade	IP65	CRI	> 90
Operating Temperature	-30~50°C		

DM-LX1a

Standard colours



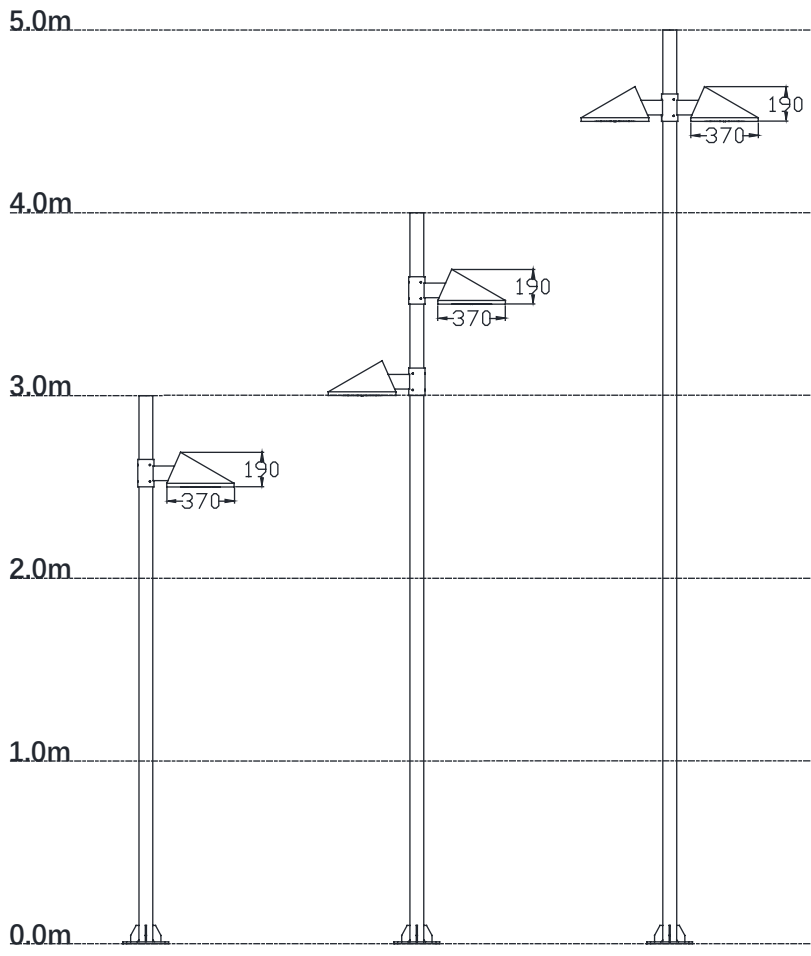
9004

9006

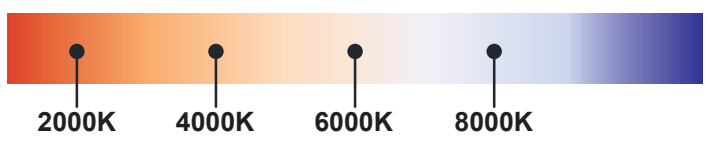
9007

9016

DM-LX10a



Colo(u)r temperature

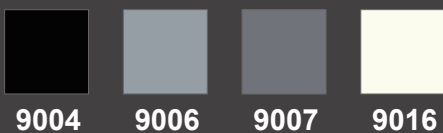




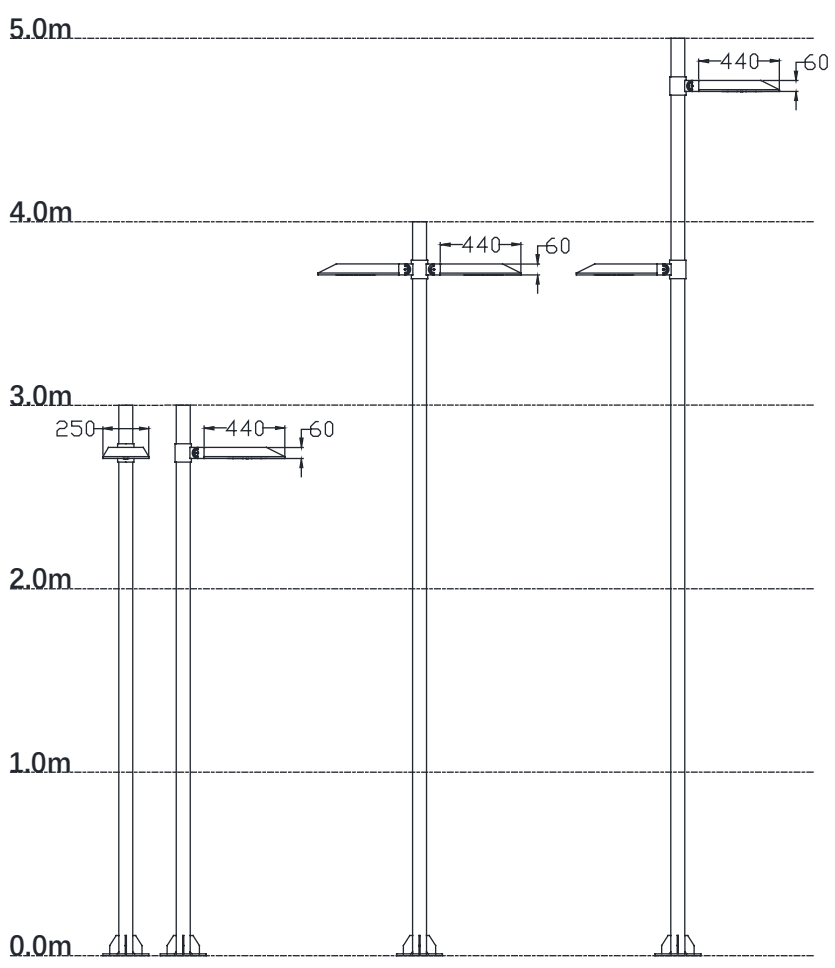
Rated power	30W~60W	Power Factor	> 0.9
LED Quantity	30-60pcs	Life	> 50000H
Color Temperature	6000k/4000k/3000k	THD	< 15%
Luminous Flux	2700lm~5400lm	Frequency Range	50/60HZ
Input Voltage	AC220~240V	Installation Pipe Diameter	/
Protection Grade	IP65	CRI	> 90
Operating Temperature	-30~50°C		

DM-LX1a

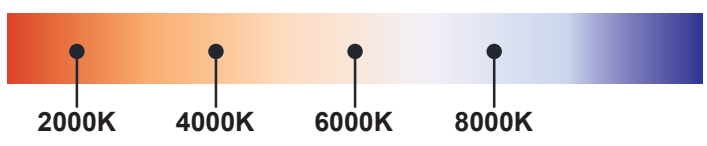
Standard colours



DM-LX11a



Colo(u)r temperature

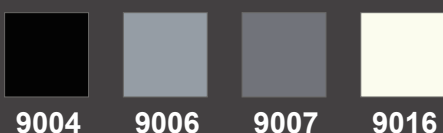


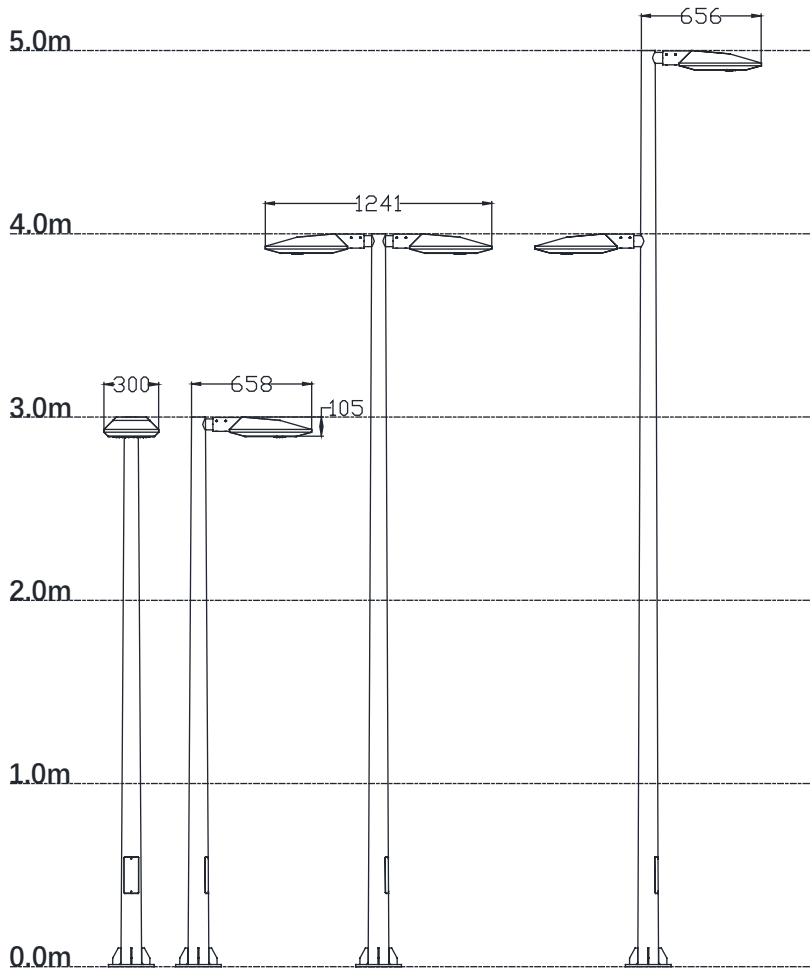


Rated power	30W~60W	Power Factor	> 0.9
LED Quantity	30-60pcs	Life	> 50000H
Color Temperature	6000k/4000k/3000k	THD	< 15%
Luminous Flux	2700lm~5400lm	Frequency Range	50/60HZ
Input Voltage	AC220~240V	Installation Pipe Diameter	/
Protection Grade	IP65	CRI	> 90
Operating Temperature	-30~50°C		

DM-LX1a

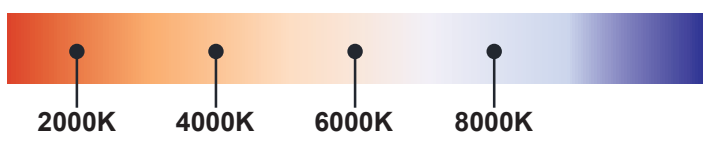
Standard colours





DM-LX12a

Colo(u)r temperature





Rated power	30W~60W	Power Factor	> 0.9
LED Quantity	30-60pcs	Life	> 50000H
Color Temperature	6000k/4000k/3000k	THD	< 15%
Luminous Flux	2700lm~5400lm	Frequency Range	50/60HZ
Input Voltage	AC220~240V	Installation Pipe Diameter	/
Protection Grade	IP65	CRI	> 90
Operating Temperature	-30~50°C		

DM-LX1a

Standard colours



9004



9006

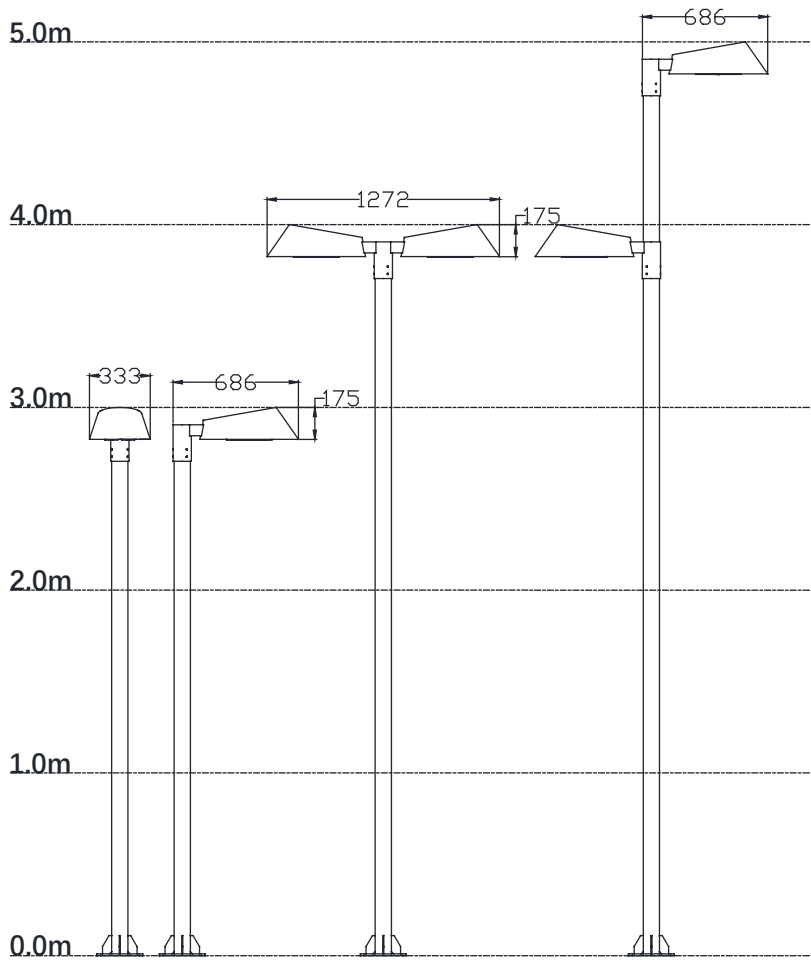
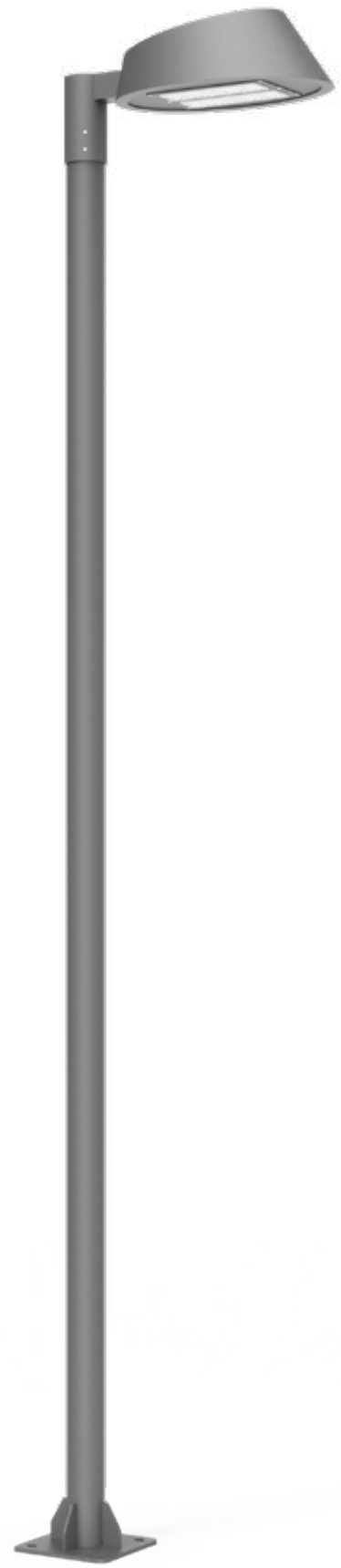


9007

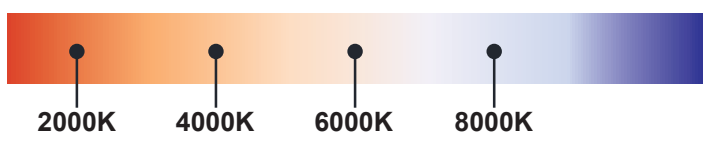


9016

DM-LX13a



Colo(u)r temperature

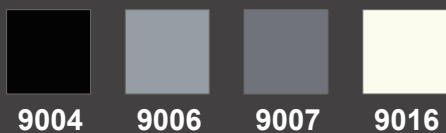




Rated power	30W~60W	Power Factor	> 0.9
LED Quantity	30-60pcs	Life	> 50000H
Color Temperature	6000k/4000k/3000k	THD	< 15%
Luminous Flux	2700lm~5400lm	Frequency Range	50/60HZ
Input Voltage	AC220~240V	Installation Pipe Diameter	/
Protection Grade	IP65	CRI	> 90
Operating Temperature	-30~50°C		

DM-LX1a

Standard colours

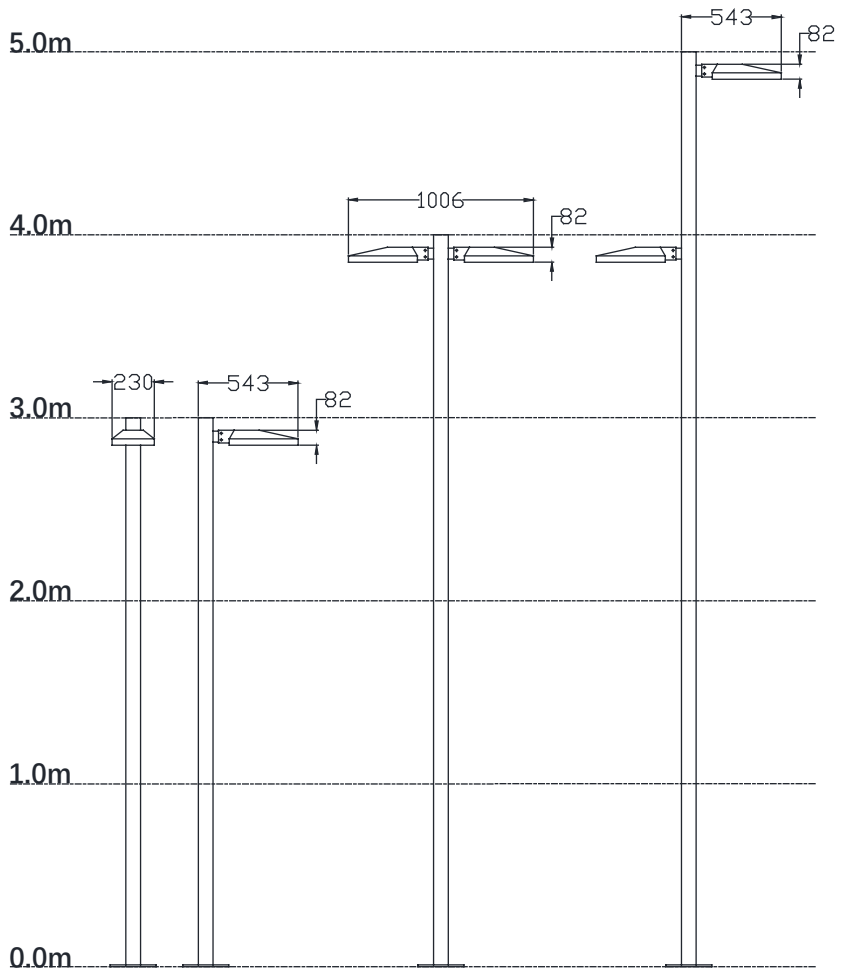
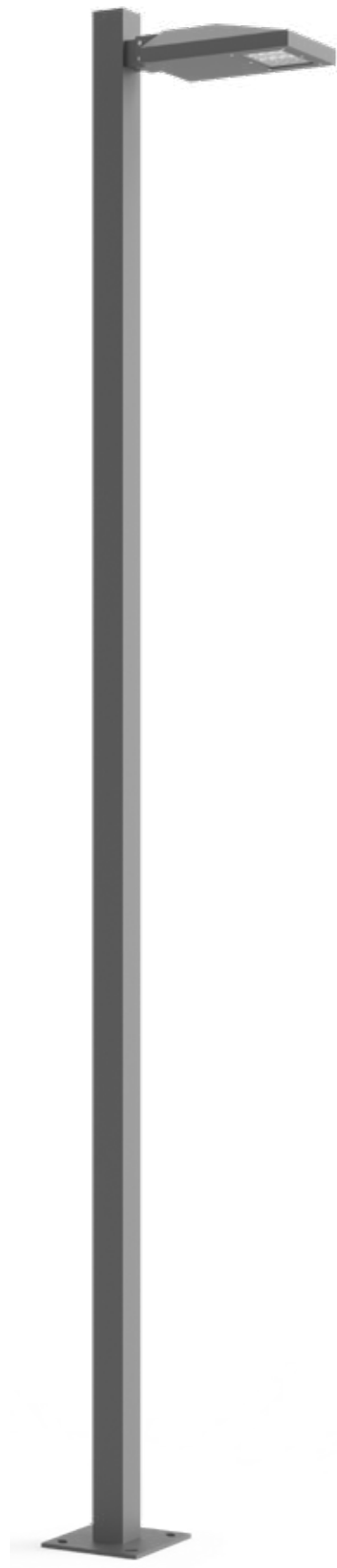


9004

9006

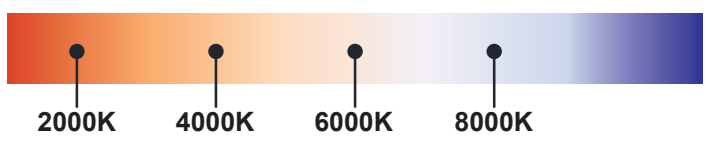
9007

9016



DM-LX14a

Colo(u)r temperature

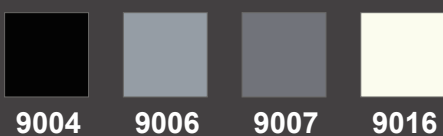


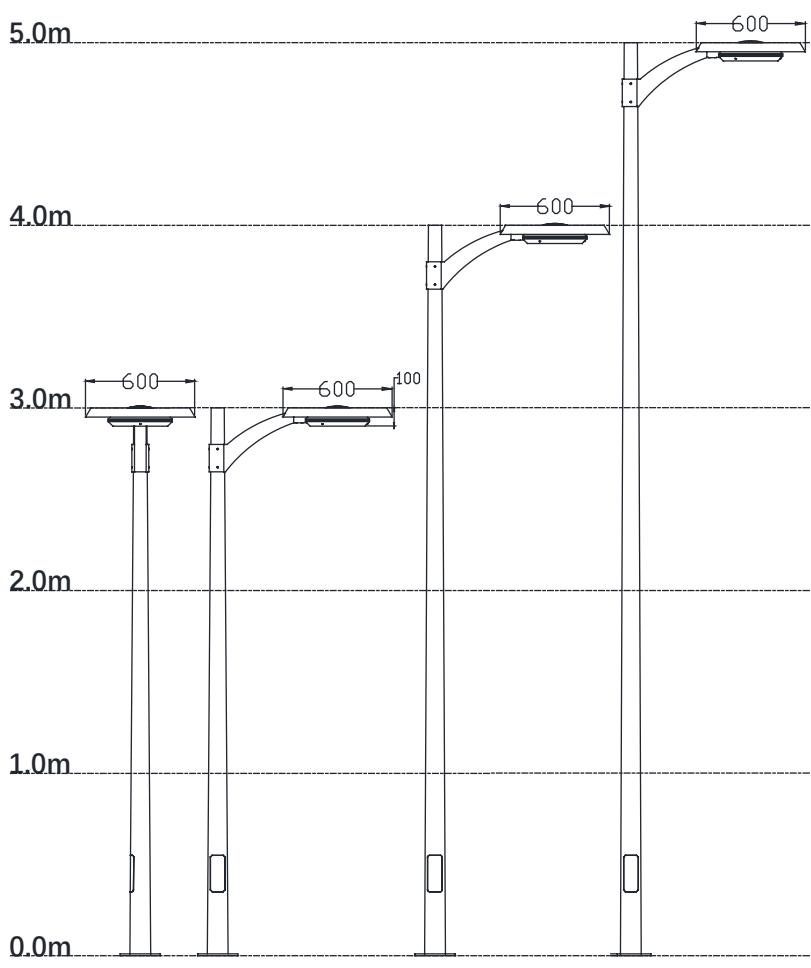
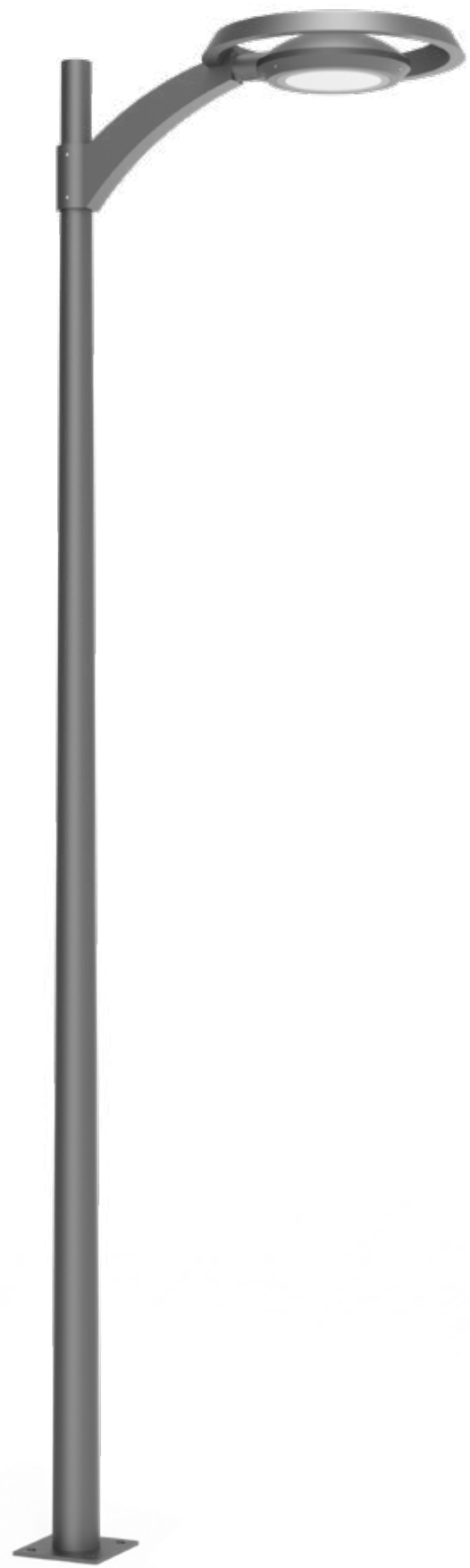


Rated power	30W~60W	Power Factor	> 0.9
LED Quantity	30-60pcs	Life	> 50000H
Color Temperature	6000k/4000k/3000k	THD	< 15%
Luminous Flux	2700lm~5400lm	Frequency Range	50/60HZ
Input Voltage	AC220~240V	Installation Pipe Diameter	/
Protection Grade	IP65	CRI	> 90
Operating Temperature	-30~50°C		

DM-LX14a

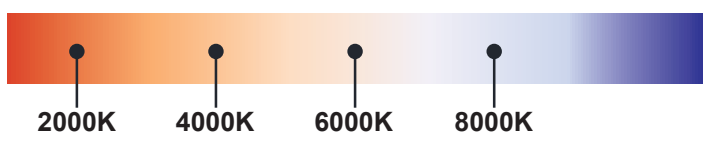
Standard colours





DM-LX15a

Colo(u)r temperature

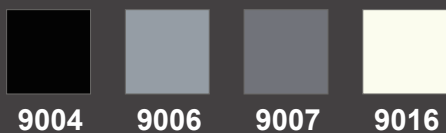


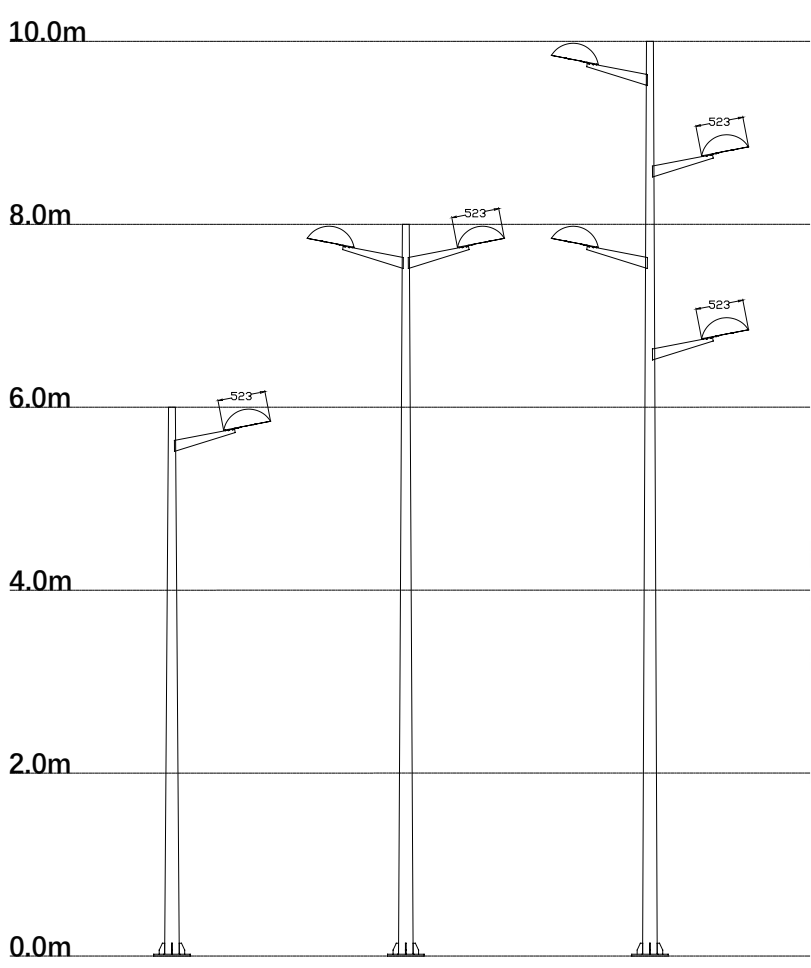


Rated power	30W~60W	Power Factor	> 0.9
LED Quantity	30-60pcs	Life	> 50000H
Color Temperature	6000k/4000k/3000k	THD	< 15%
Luminous Flux	2700lm~5400lm	Frequency Range	50/60HZ
Input Voltage	AC220~240V	Installation Pipe Diameter	/
Protection Grade	IP65	CRI	> 90
Operating Temperature	-30~50°C		

DM-LX1a

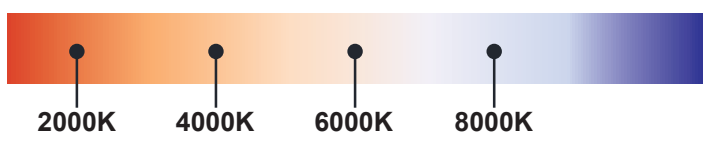
Standard colours





DM-LX16a

Colo(u)r temperature

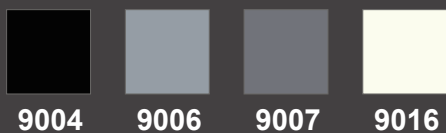




Rated power	30W~60W	Power Factor	> 0.9
LED Quantity	30-60pcs	Life	> 50000H
Color Temperature	6000k/4000k/3000k	THD	< 15%
Luminous Flux	2700lm~5400lm	Frequency Range	50/60HZ
Input Voltage	AC220~240V	Installation Pipe Diameter	/
Protection Grade	IP65	CRI	> 90
Operating Temperature	-30~50°C		

DM-LX1a

Standard colours

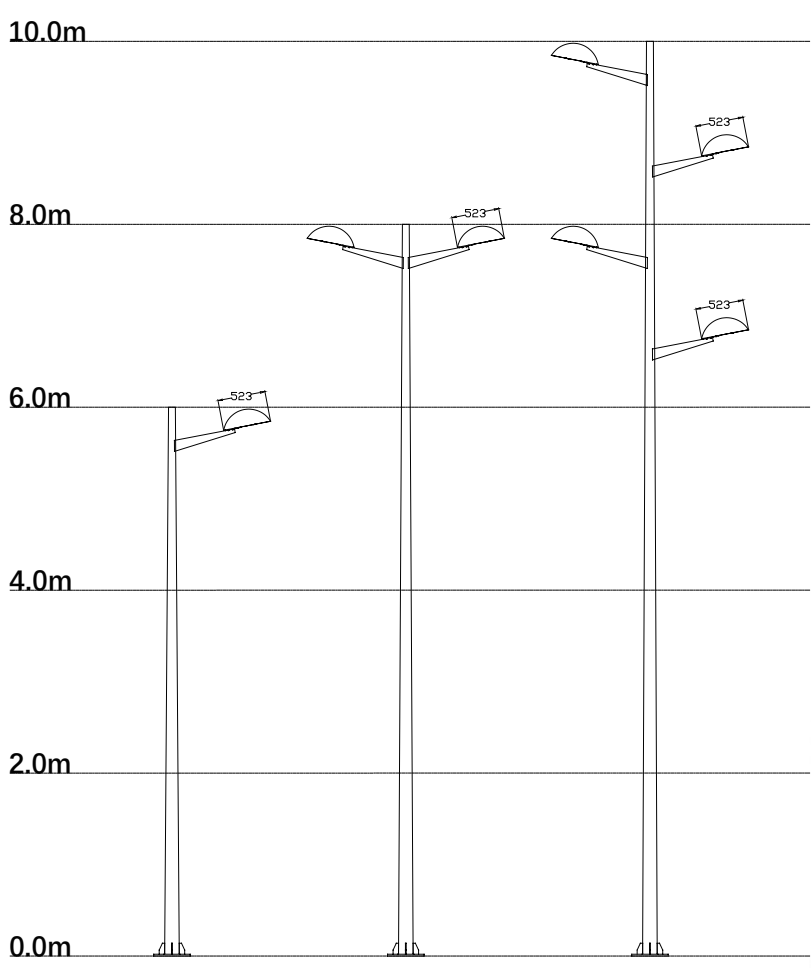
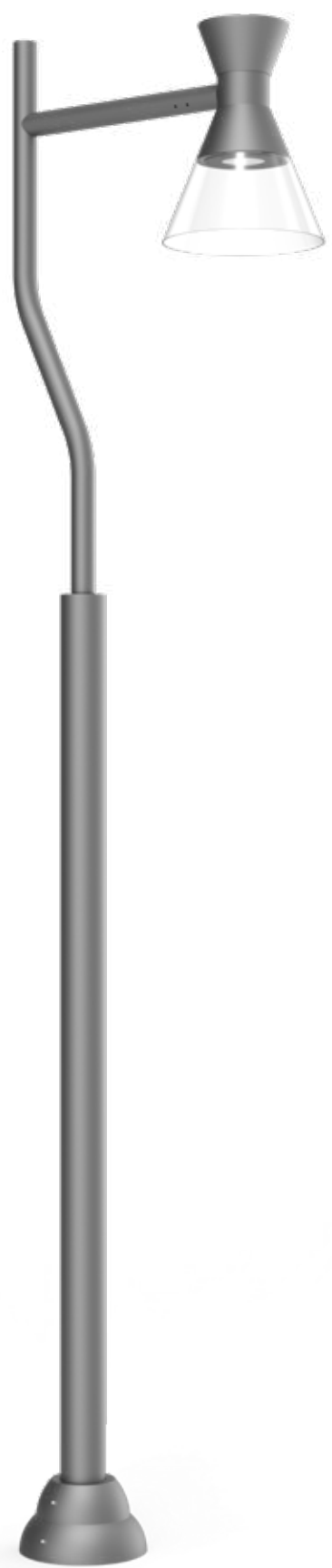


9004

9006

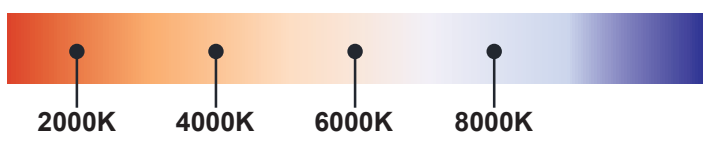
9007

9016



DM-LX17a

Colo(u)r temperature





Rated power	30W~60W	Power Factor	> 0.9
LED Quantity	30-60pcs	Life	> 50000H
Color Temperature	6000k/4000k/3000k	THD	< 15%
Luminous Flux	2700lm~5400lm	Frequency Range	50/60HZ
Input Voltage	AC220~240V	Installation Pipe Diameter	/
Protection Grade	IP65	CRI	> 90
Operating Temperature	-30~50°C		

DM-LX17a

Standard colours



9004



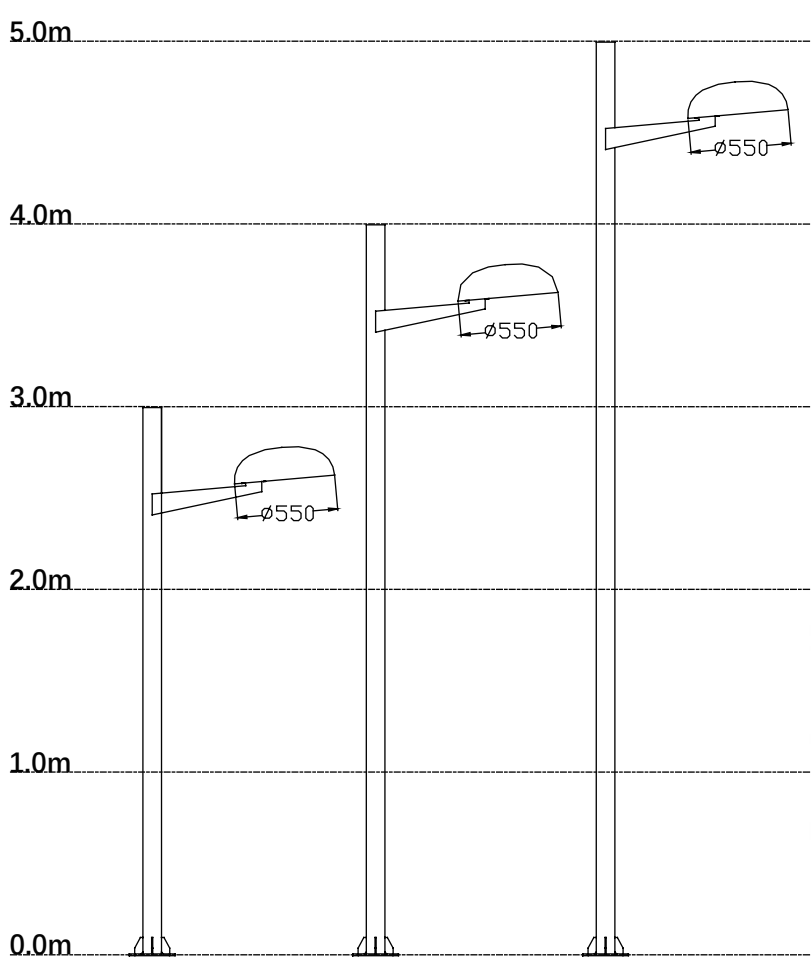
9006



9007

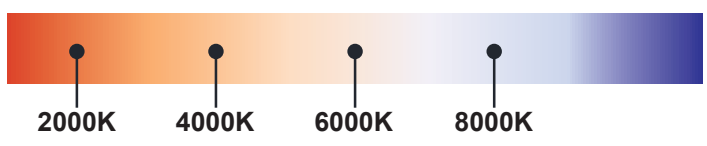


9016



DM-LX18a

Colo(u)r temperature

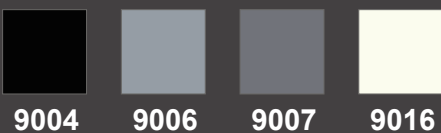




Rated power	30W~60W	Power Factor	> 0.9
LED Quantity	30-60pcs	Life	> 50000H
Color Temperature	6000k/4000k/3000k	THD	< 15%
Luminous Flux	2700lm~5400lm	Frequency Range	50/60HZ
Input Voltage	AC220~240V	Installation Pipe Diameter	/
Protection Grade	IP65	CRI	> 90
Operating Temperature	-30~50°C		

DM-LX18a

Standard colours

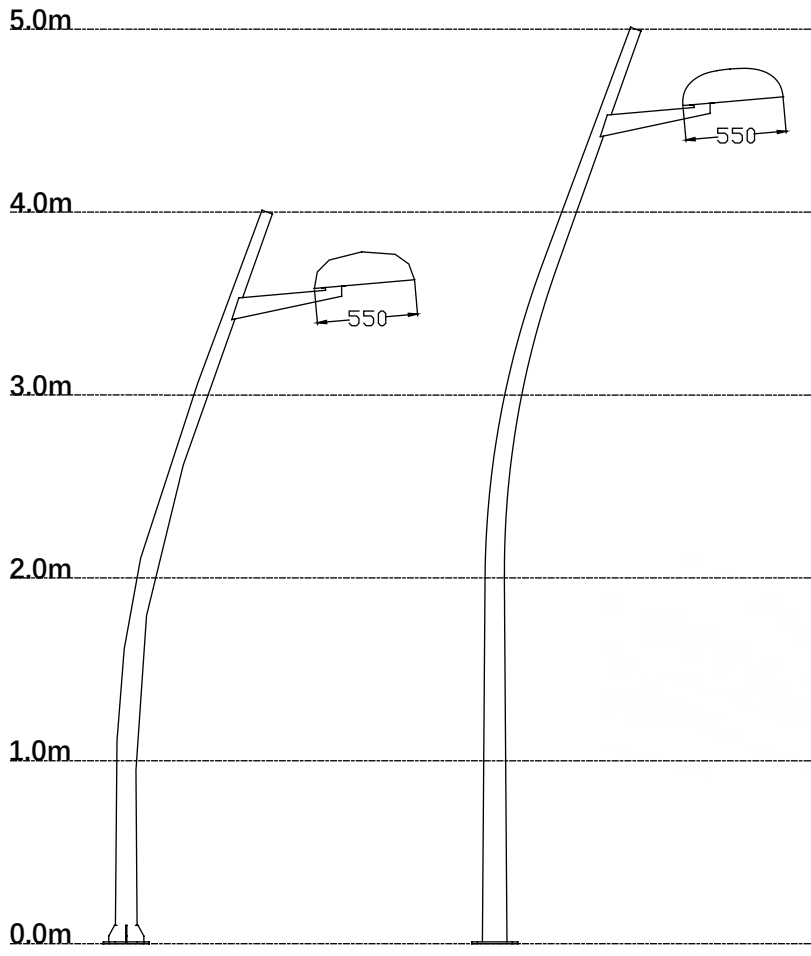
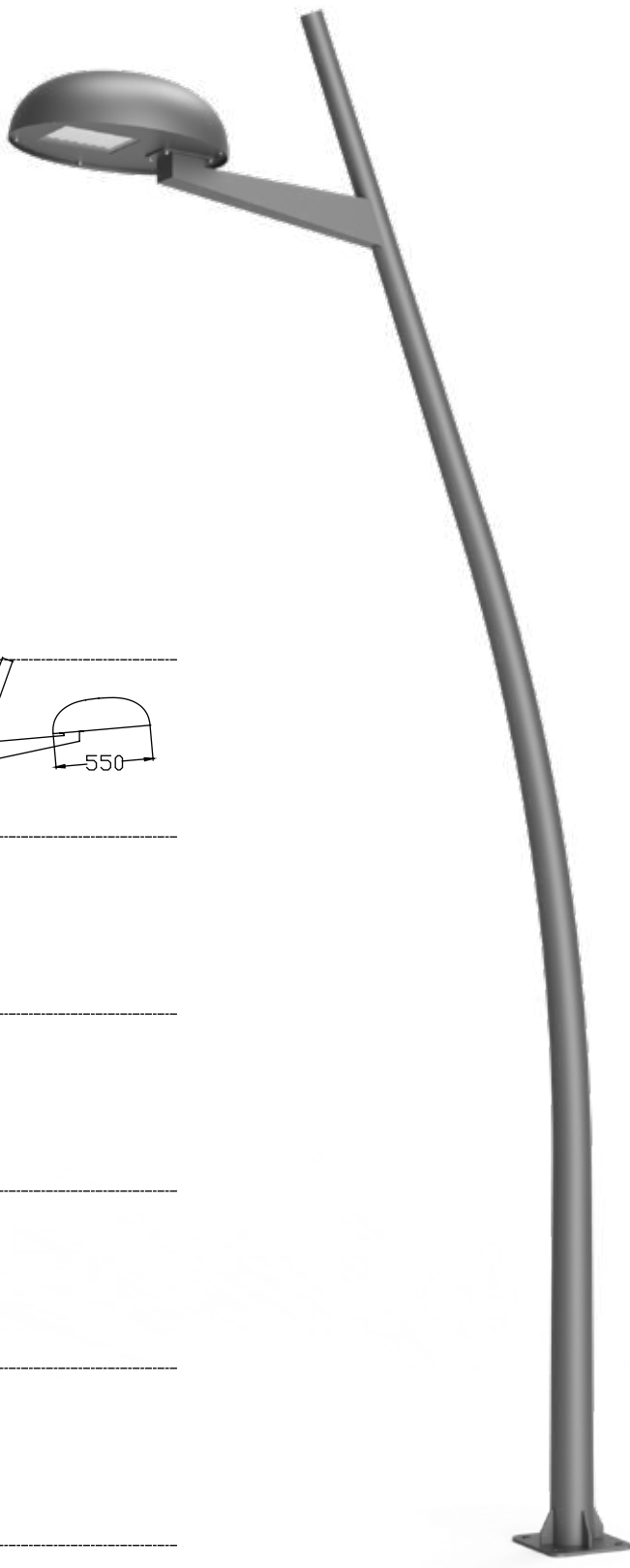


9004

9006

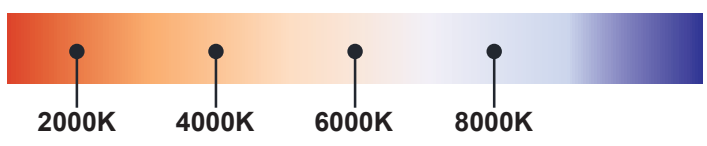
9007

9016



DM-LX18b

Colo(u)r temperature

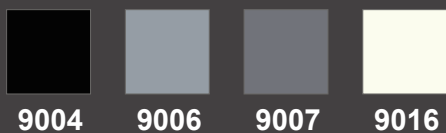




Rated power	30W~60W	Power Factor	> 0.9
LED Quantity	30-60pcs	Life	> 50000H
Color Temperature	6000k/4000k/3000k	THD	< 15%
Luminous Flux	2700lm~5400lm	Frequency Range	50/60HZ
Input Voltage	AC220~240V	Installation Pipe Diameter	/
Protection Grade	IP65	CRI	> 90
Operating Temperature	-30~50°C		

DM-LX18b

Standard colours

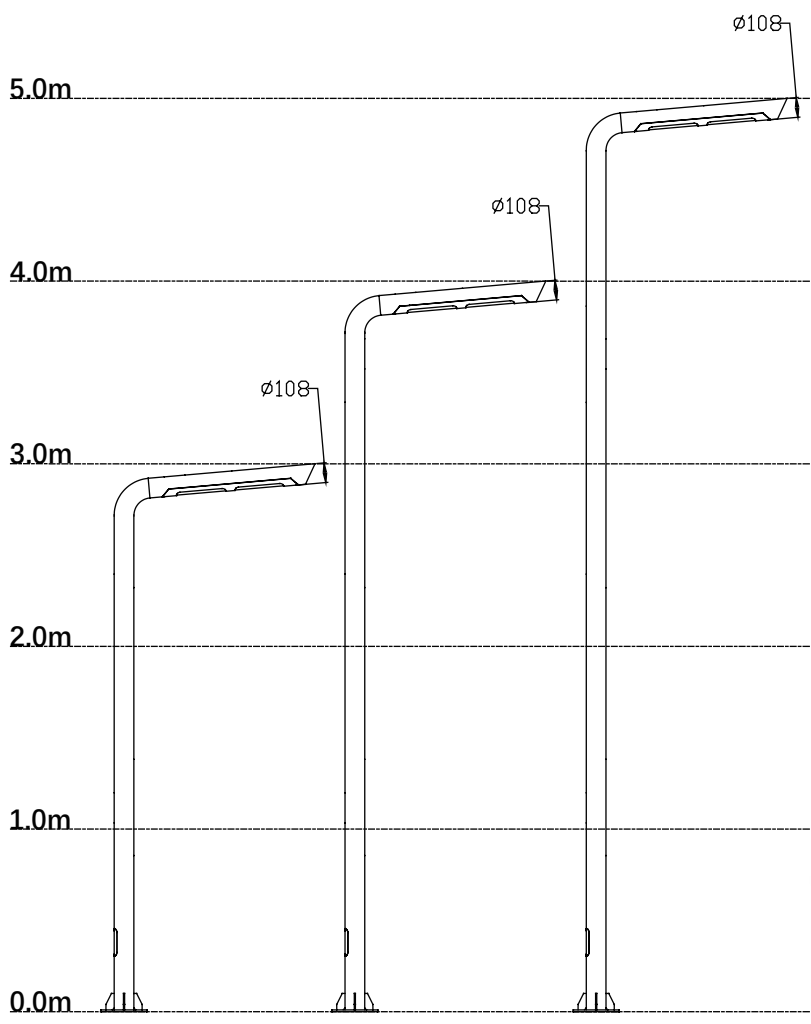


9004

9006

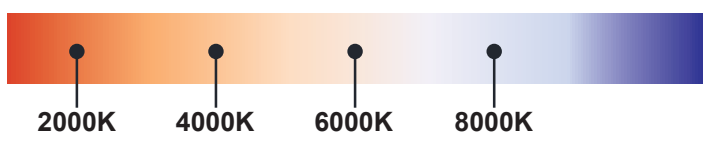
9007

9016



DM-LX19a

Colo(u)r temperature

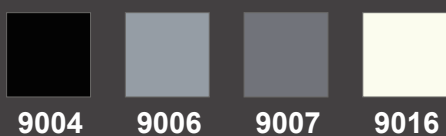




Rated power	30W~60W	Power Factor	> 0.9
LED Quantity	30-60pcs	Life	> 50000H
Color Temperature	6000k/4000k/3000k	THD	< 15%
Luminous Flux	2700lm~5400lm	Frequency Range	50/60HZ
Input Voltage	AC220~240V	Installation Pipe Diameter	/
Protection Grade	IP65	CRI	> 90
Operating Temperature	-30~50°C		

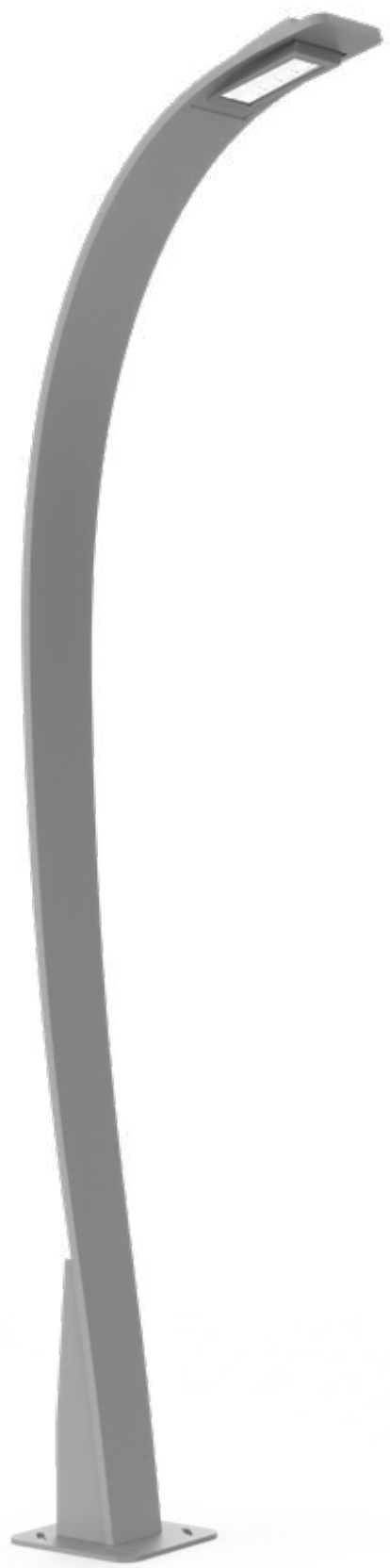
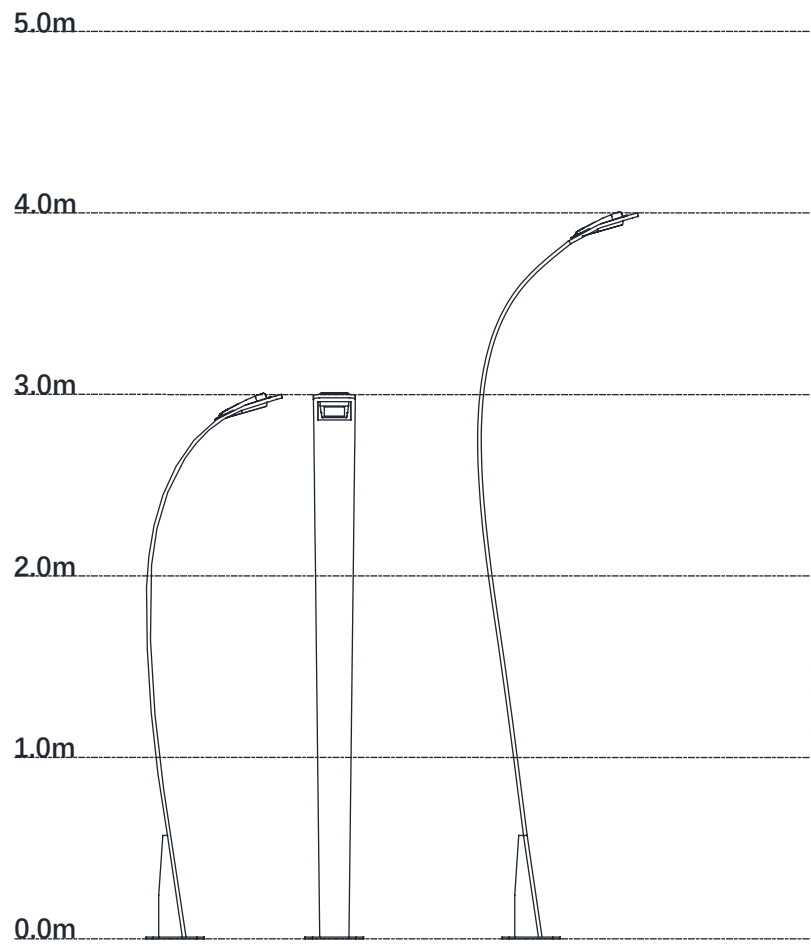
DM-LX19a

Standard colours

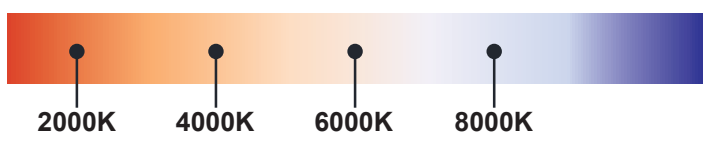


E40

DM-ZX1a



Color temperature





Rated power	30W~60W	Power Factor	> 0.9
LED Quantity	30-60pcs	Life	> 50000H
Color Temperature	6000k/4000k/3000k	THD	< 15%
Luminous Flux	2700lm~5400lm	Frequency Range	50/60HZ
Input Voltage	AC220~240V	Installation Pipe Diameter	/
Protection Grade	IP65	CRI	> 90
Operating Temperature	-30~50°C		

DM-ZX1a

Standard colours



9004



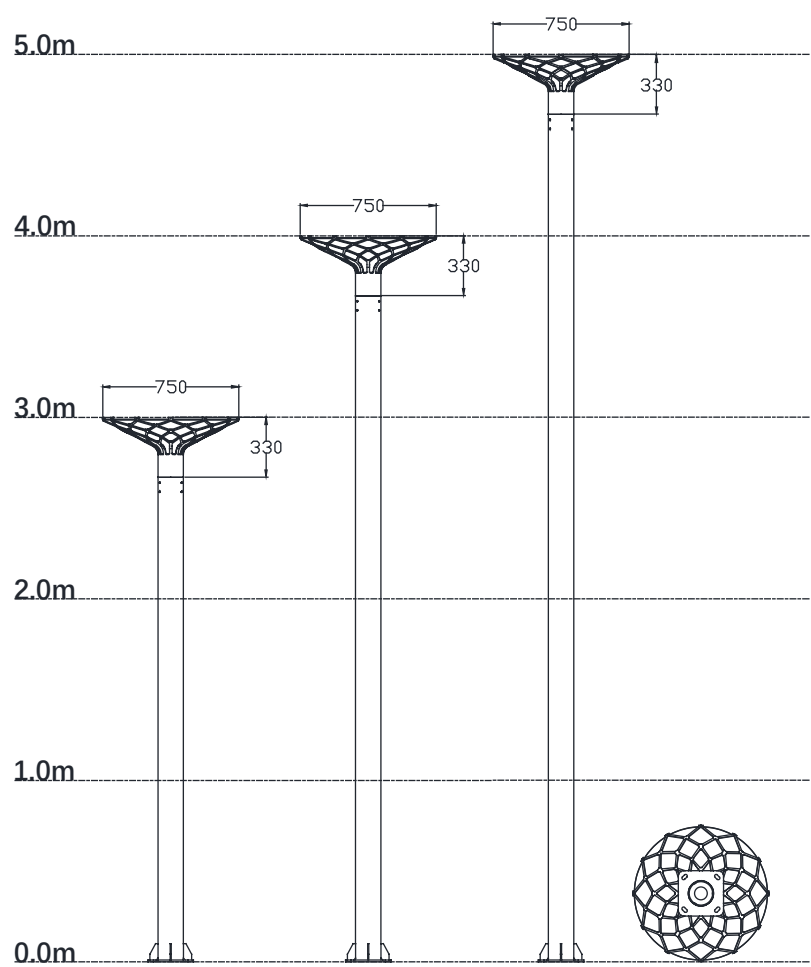
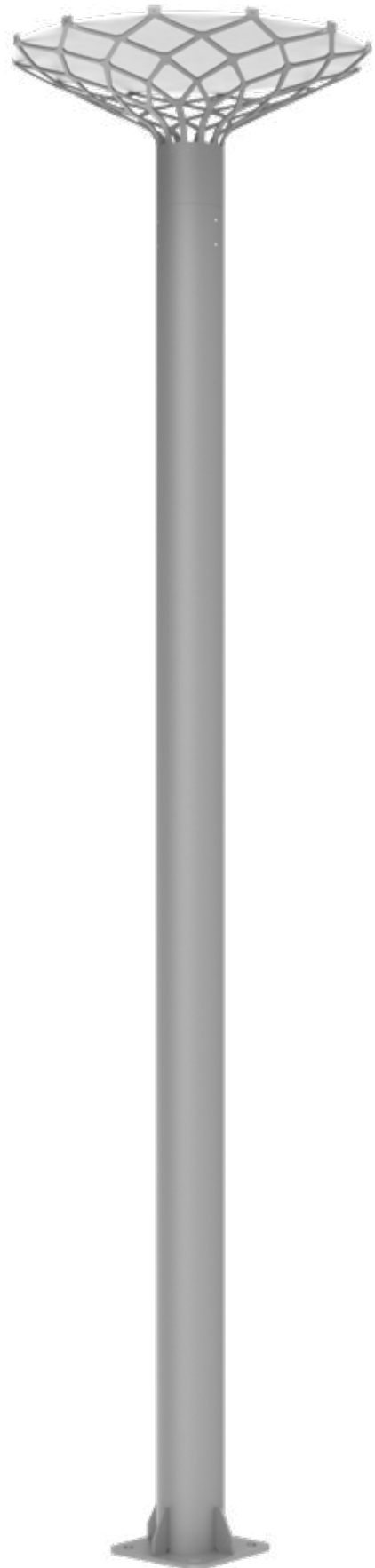
9006



9007

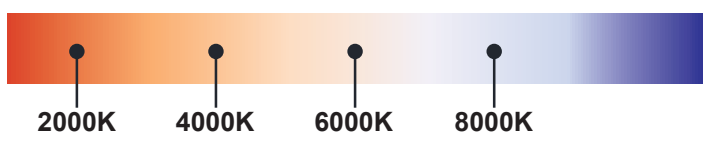


9016



DM-ZX2a

Colo(u)r temperature

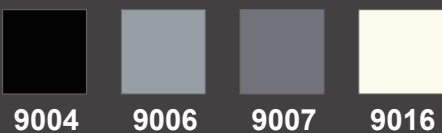




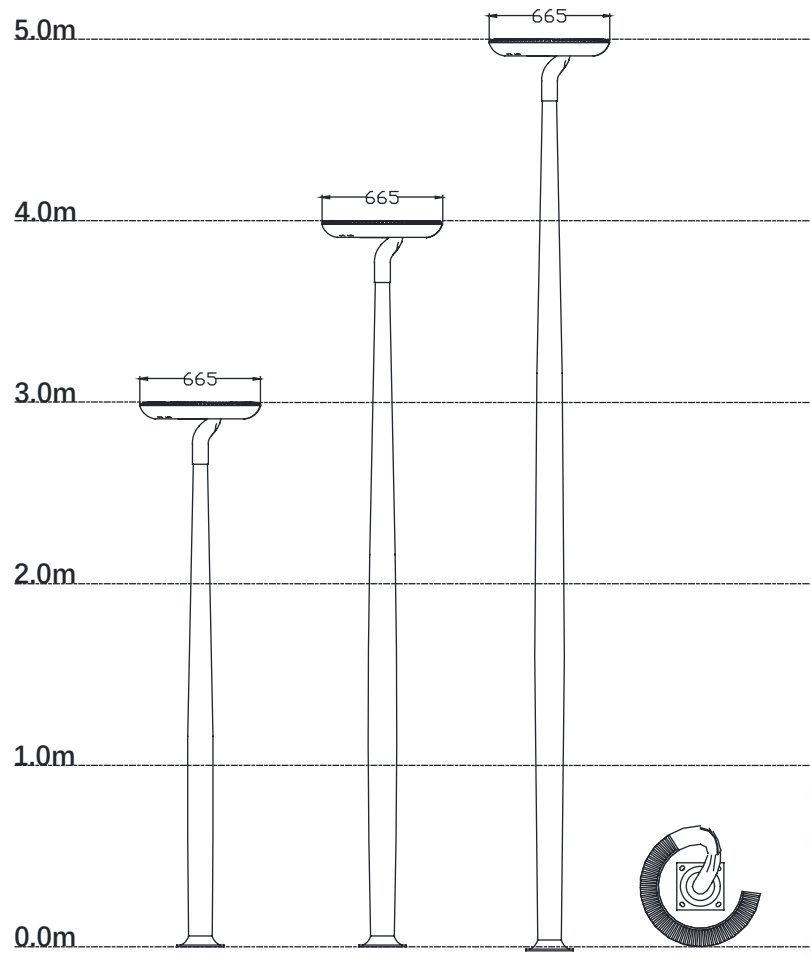
Rated power	30W~60W	Power Factor	> 0.9
LED Quantity	30-60pcs	Life	> 50000H
Color Temperature	6000k/4000k/3000k	THD	< 15%
Luminous Flux	2700lm~5400lm	Frequency Range	50/60HZ
Input Voltage	AC220~240V	Installation Pipe Diameter	/
Protection Grade	IP65	CRI	> 90
Operating Temperature	-30~50°C		

DM-ZX2a

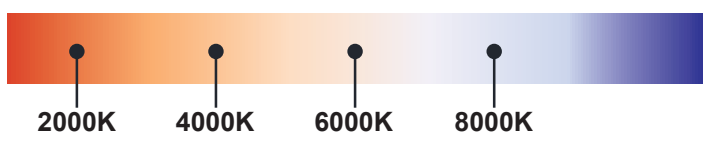
Standard colours



DM-ZX3a



Colo(u)r temperature

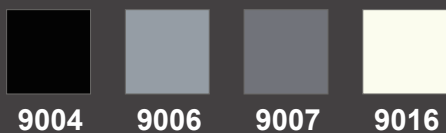




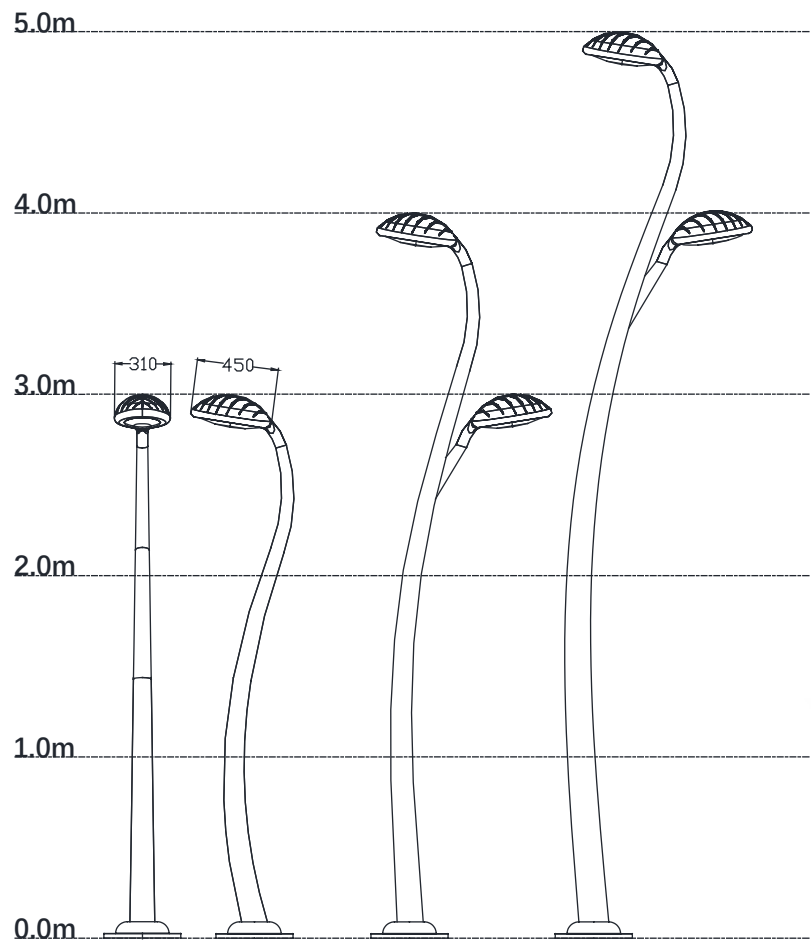
Rated power	30W~60W	Power Factor	> 0.9
LED Quantity	30-60pcs	Life	> 50000H
Color Temperature	6000k/4000k/3000k	THD	< 15%
Luminous Flux	2700lm~5400lm	Frequency Range	50/60HZ
Input Voltage	AC220~240V	Installation Pipe Diameter	/
Protection Grade	IP65	CRI	> 90
Operating Temperature	-30~50°C		

DM-ZX3a

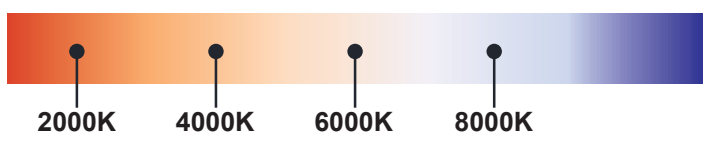
Standard colours



DM-ZX4a



Colo(u)r temperature

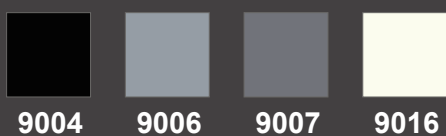




Rated power	30W~60W	Power Factor	> 0.9
LED Quantity	30-60pcs	Life	> 50000H
Color Temperature	6000k/4000k/3000k	THD	< 15%
Luminous Flux	2700lm~5400lm	Frequency Range	50/60HZ
Input Voltage	AC220~240V	Installation Pipe Diameter	/
Protection Grade	IP65	CRI	> 90
Operating Temperature	-30~50°C		

DM-ZX4a

Standard colours

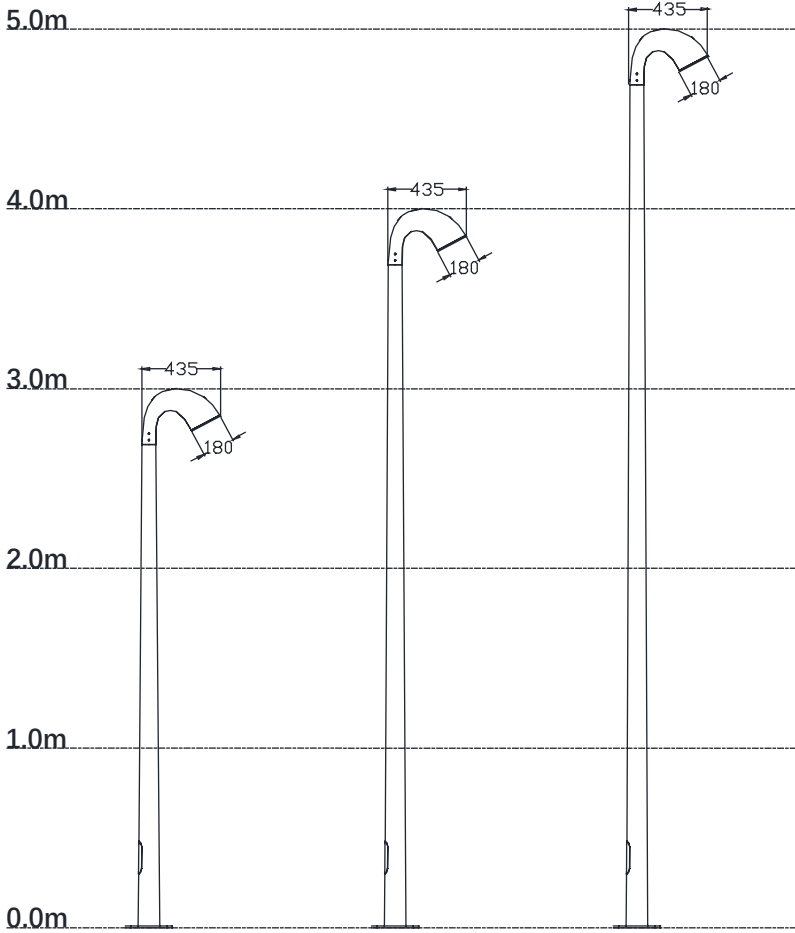
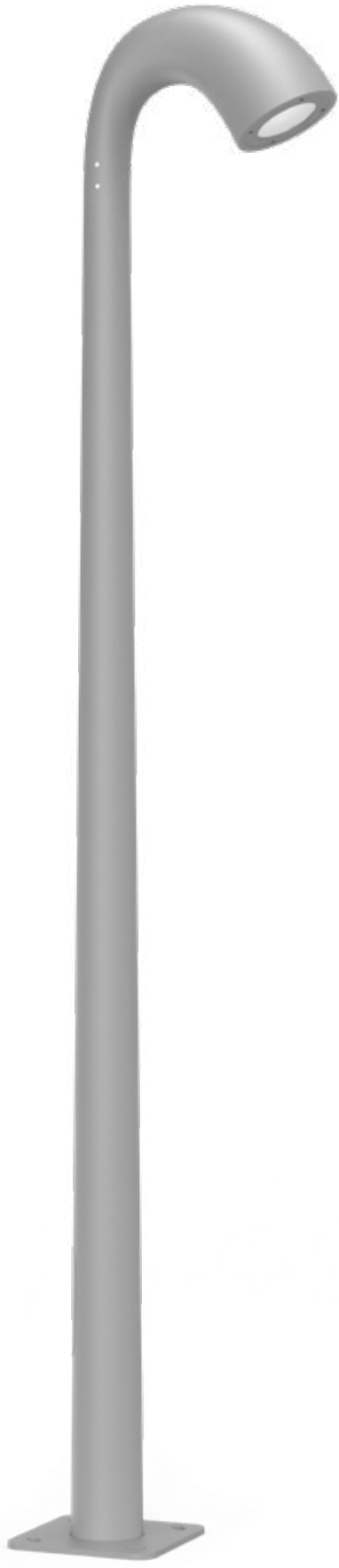


9004

9006

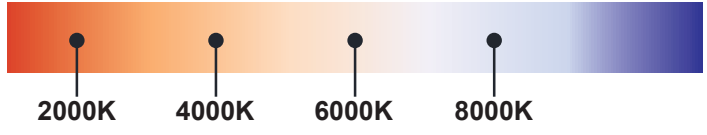
9007

9016



DM-ZX5a

Colo(u)r temperature

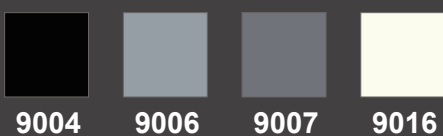


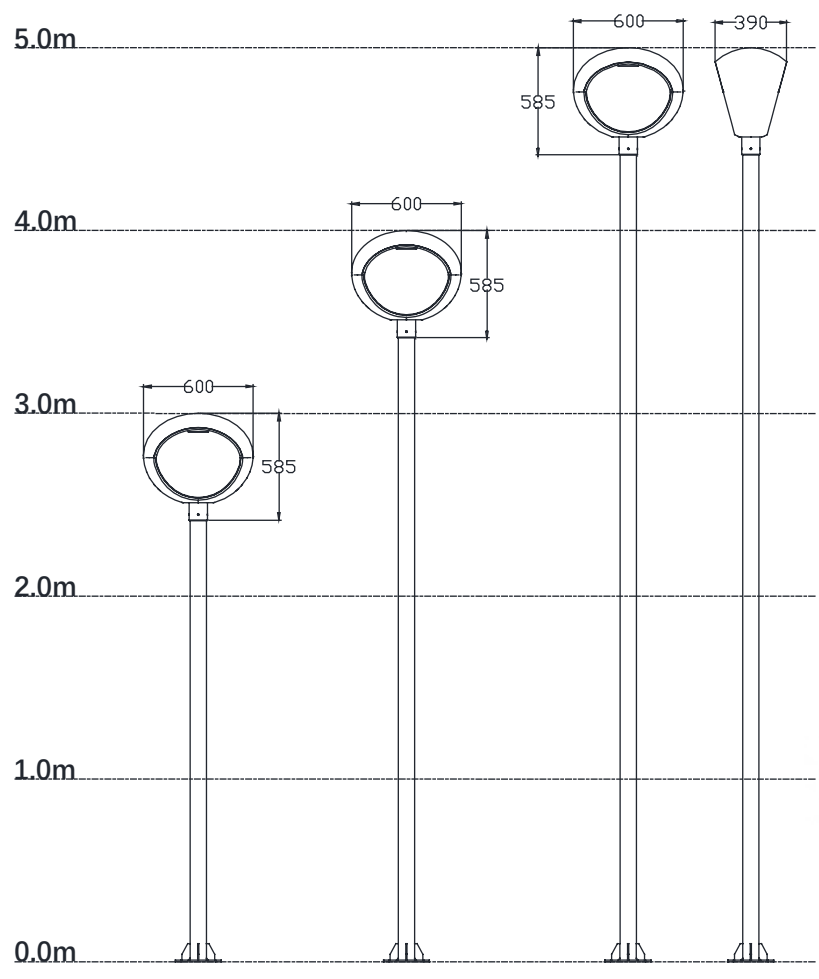
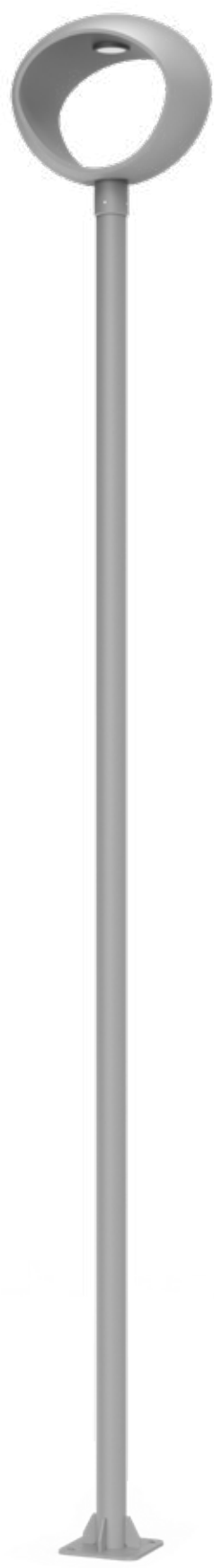


Rated power	30W~60W	Power Factor	> 0.9
LED Quantity	30-60pcs	Life	> 50000H
Color Temperature	6000k/4000k/3000k	THD	< 15%
Luminous Flux	2700lm~5400lm	Frequency Range	50/60HZ
Input Voltage	AC220~240V	Installation Pipe Diameter	/
Protection Grade	IP65	CRI	> 90
Operating Temperature	-30~50°C		

DM-ZX5a

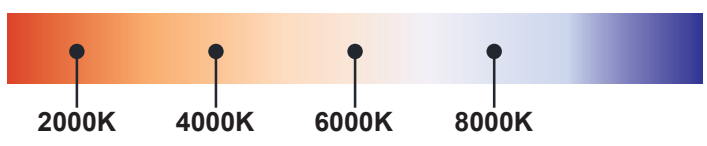
Standard colours





DM-ZX6a

Colo(u)r temperature

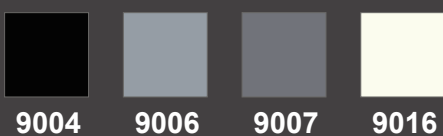


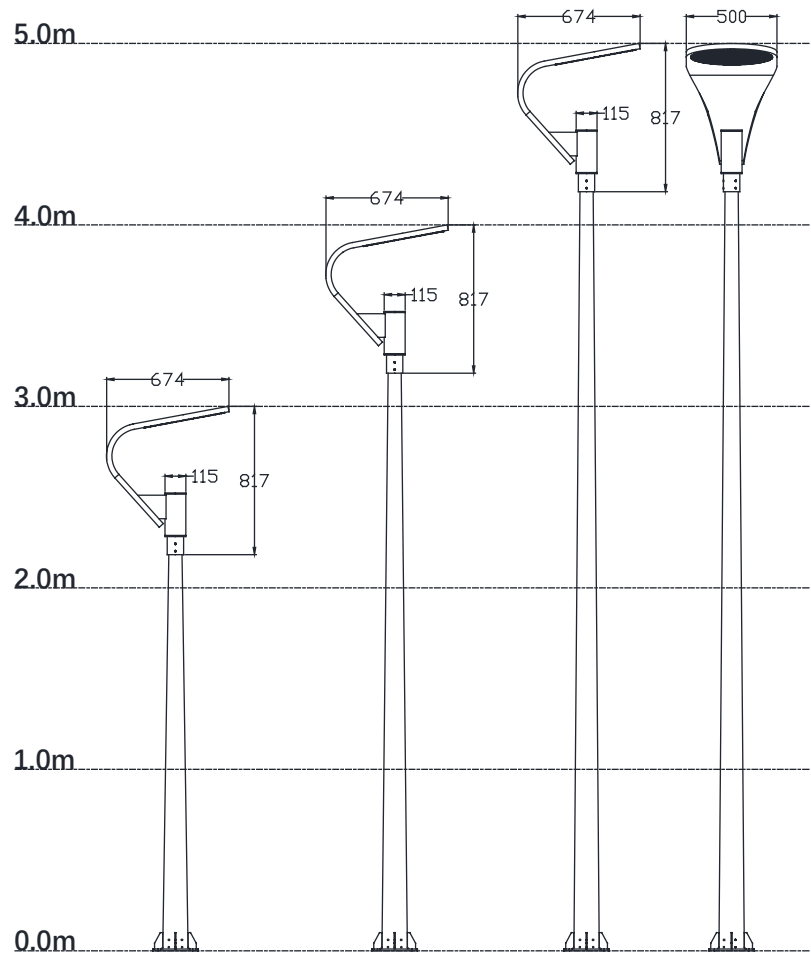
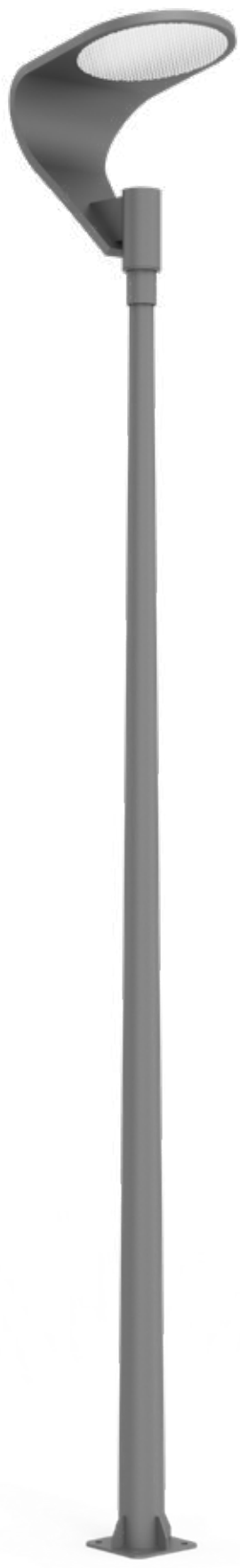


Rated power	30W~60W	Power Factor	> 0.9
LED Quantity	30-60pcs	Life	> 50000H
Color Temperature	6000k/4000k/3000k	THD	< 15%
Luminous Flux	2700lm~5400lm	Frequency Range	50/60HZ
Input Voltage	AC220~240V	Installation Pipe Diameter	/
Protection Grade	IP65	CRI	> 90
Operating Temperature	-30~50°C		

DM-ZX6a

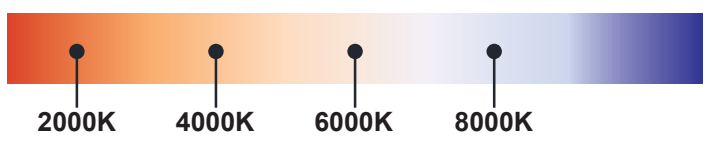
Standard colours





DM-ZX7a

Colo(u)r temperature

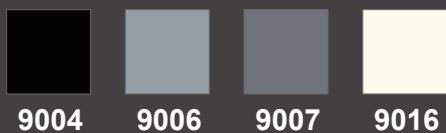


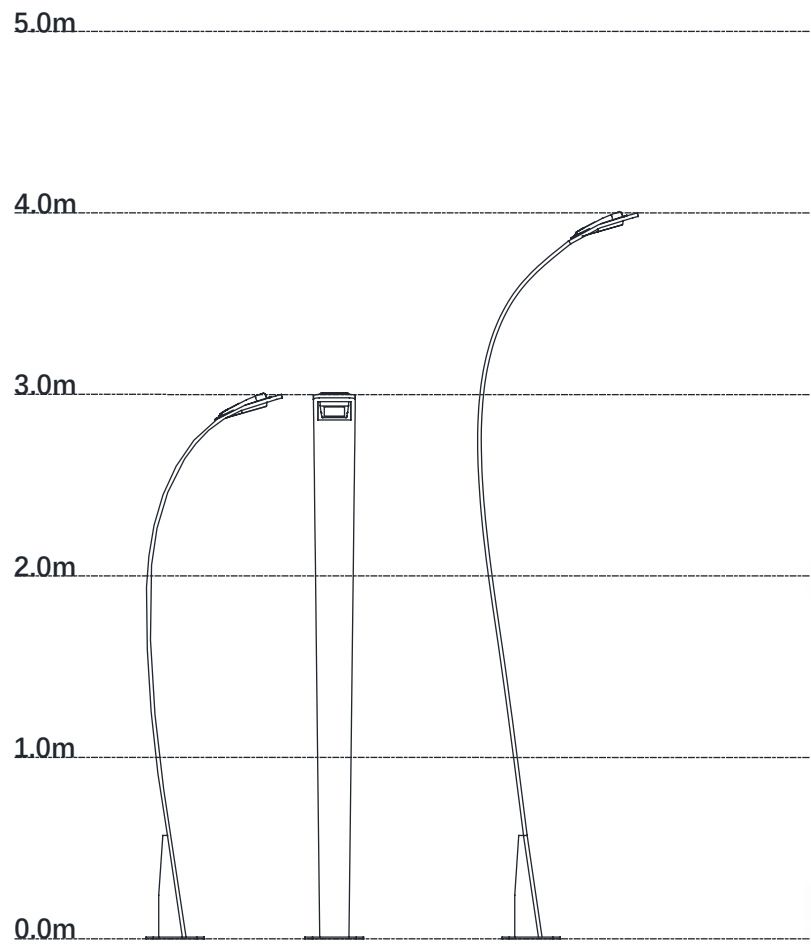
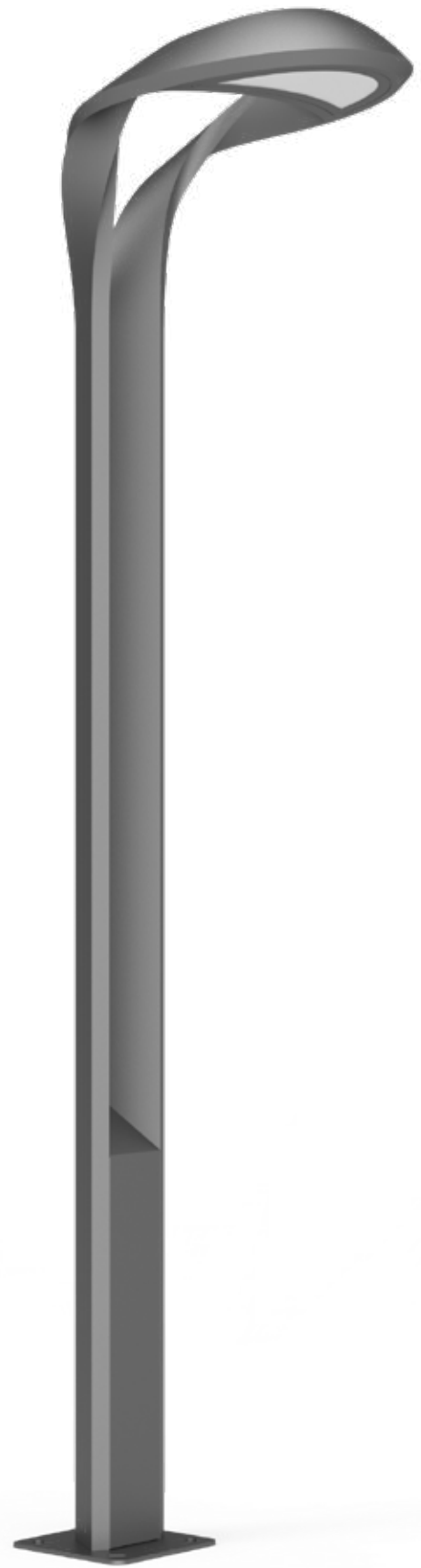


Rated power	30W~60W	Power Factor	> 0.9
LED Quantity	30-60pcs	Life	> 50000H
Color Temperature	6000k/4000k/3000k	THD	< 15%
Luminous Flux	2700lm~5400lm	Frequency Range	50/60HZ
Input Voltage	AC220~240V	Installation Pipe Diameter	/
Protection Grade	IP65	CRI	> 90
Operating Temperature	-30~50°C		

DM-ZX7a

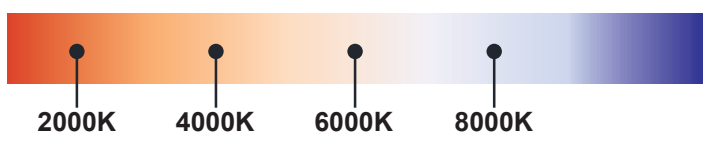
Standard colours





DM-ZX8a

Color temperature

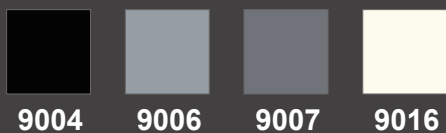




Rated power	30W~60W	Power Factor	> 0.9
LED Quantity	30-60pcs	Life	> 50000H
Color Temperature	6000k/4000k/3000k	THD	< 15%
Luminous Flux	2700lm~5400lm	Frequency Range	50/60HZ
Input Voltage	AC220~240V	Installation Pipe Diameter	/
Protection Grade	IP65	CRI	> 90
Operating Temperature	-30~50°C		

DM-ZX8a

Standard colours



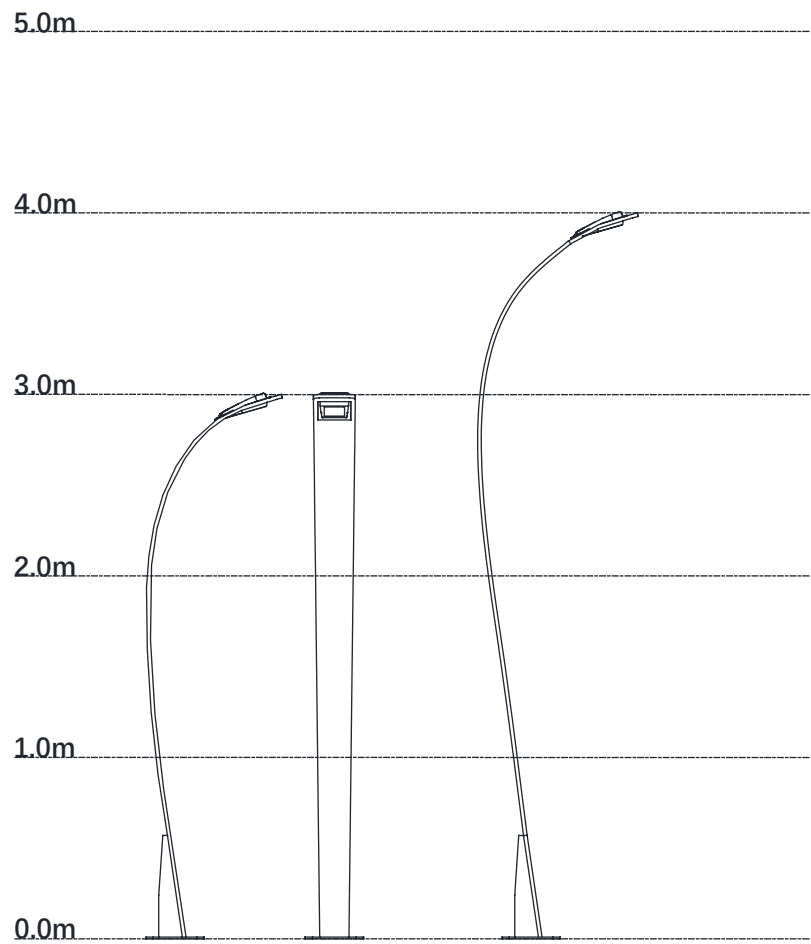
9004

9006

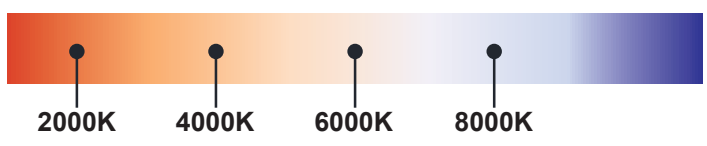
9007

9016

DM-ZX9a



Colo(u)r temperature

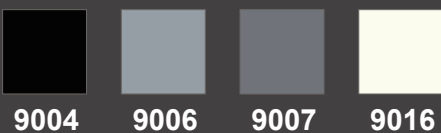




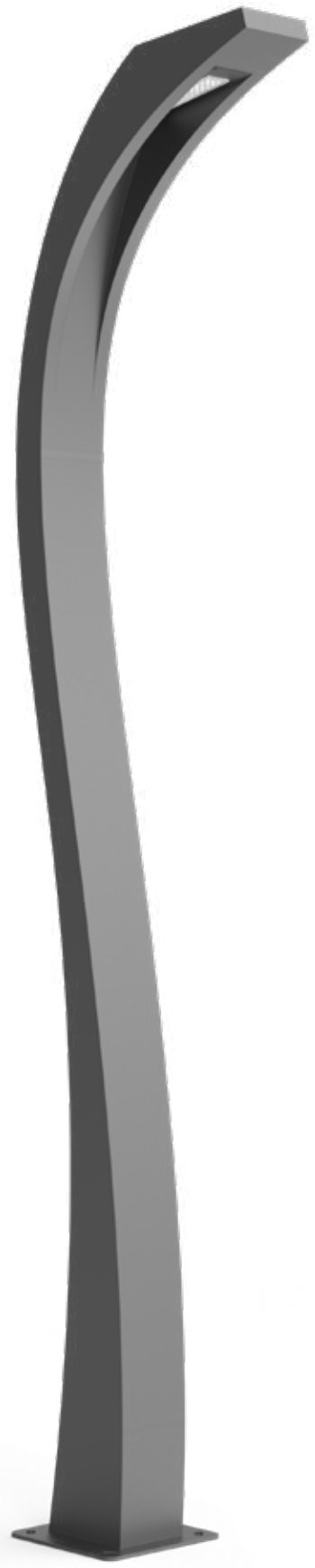
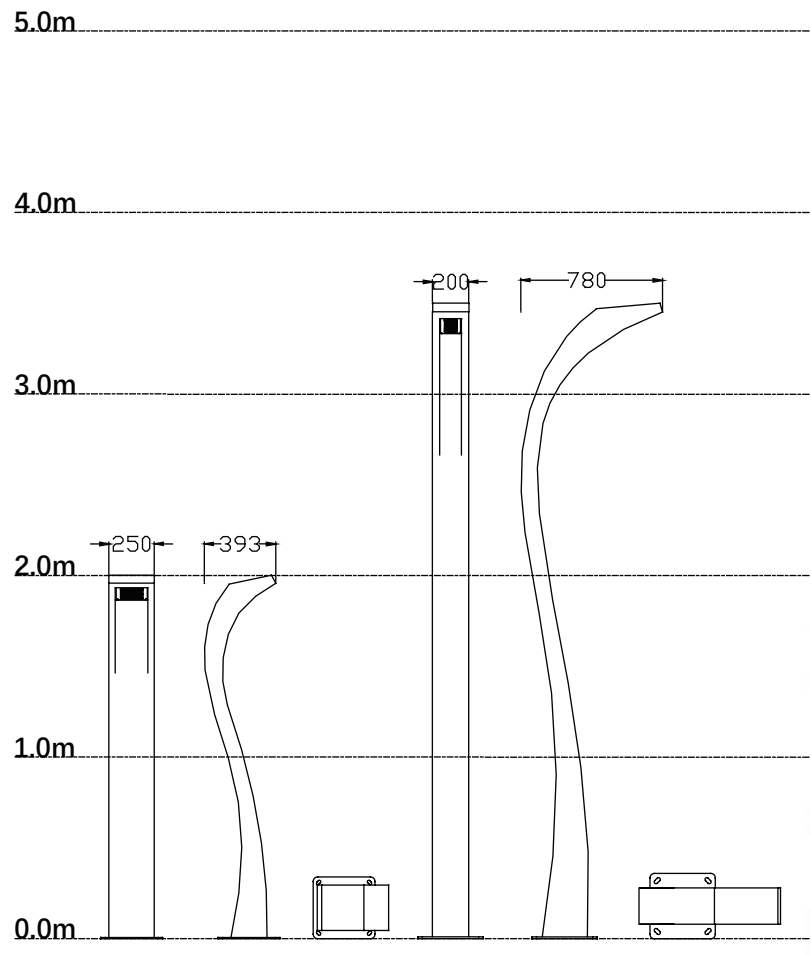
Rated power	30W~60W	Power Factor	> 0.9
LED Quantity	30-60pcs	Life	> 50000H
Color Temperature	6000k/4000k/3000k	THD	< 15%
Luminous Flux	2700lm~5400lm	Frequency Range	50/60HZ
Input Voltage	AC220~240V	Installation Pipe Diameter	/
Protection Grade	IP65	CRI	> 90
Operating Temperature	-30~50°C		

DM-ZX9a

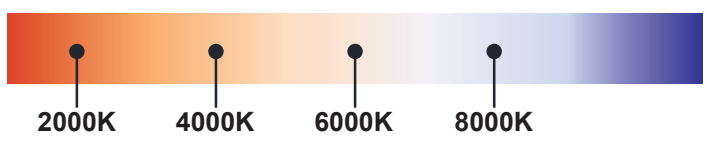
Standard colours



DM-ZX10a



Color temperature

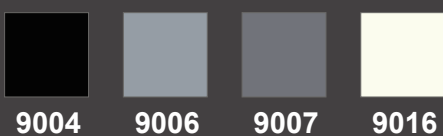




Rated power	30W~60W	Power Factor	> 0.9
LED Quantity	30-60pcs	Life	> 50000H
Color Temperature	6000k/4000k/3000k	THD	< 15%
Luminous Flux	2700lm~5400lm	Frequency Range	50/60HZ
Input Voltage	AC220~240V	Installation Pipe Diameter	/
Protection Grade	IP65	CRI	> 90
Operating Temperature	-30~50°C		

DM-ZX10a

Standard colours

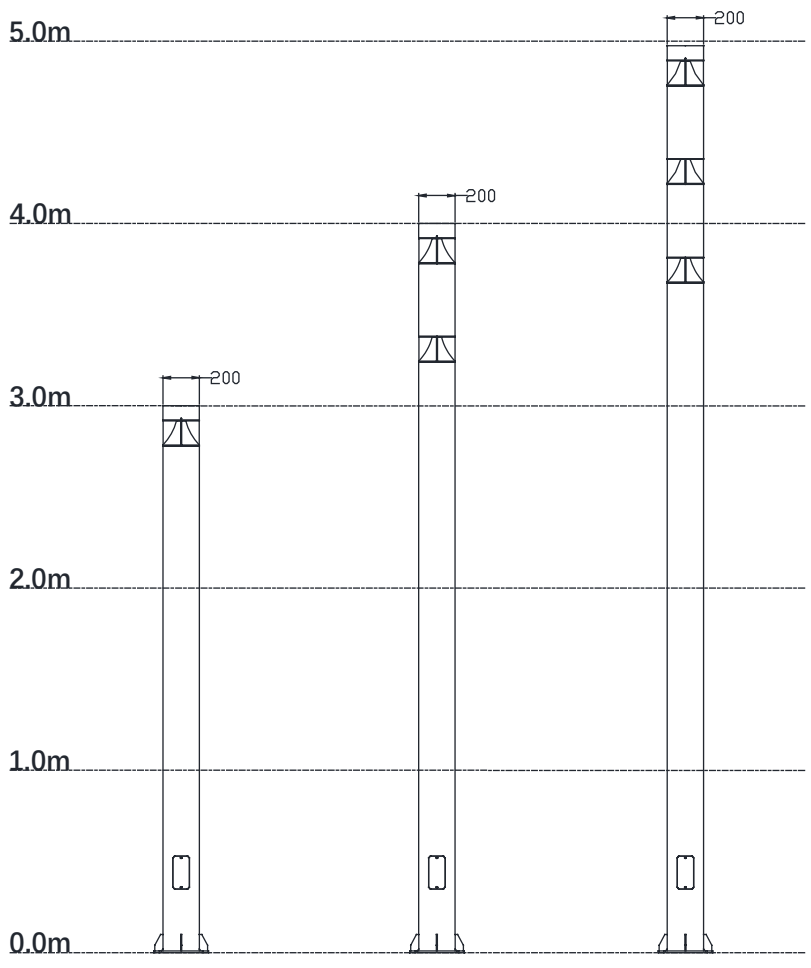


9004

9006

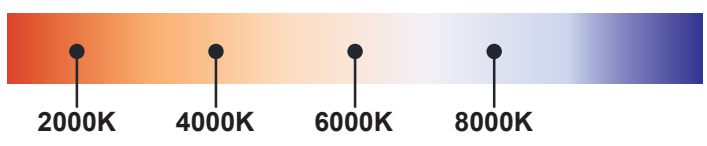
9007

9016



DM-YG1a

Color temperature



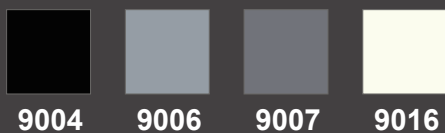
G1



Rated power	额定功率	30W~60W	Power Factor	功率因素	> 0.9
LED Quantity	LED 数量	30-60pcs	Life	使用寿命	> 50000H
Color Temperature	色温	6000k/4000k/3000k	THD	总谐波失真	< 15%
Luminous Flux	初始光通量	2700lm~5400lm	Frequency Range	频率范围	50/60HZ
Input Voltage	输入电压	AC220~240V	Installation Pipe Diameter	安装管径	/
Protection Grade	防护等级	IP65	CRI	显色指数	> 90
Operating Temperature	工作环境温度	-30~50°C			

DM-YG1a

Standard colours



9004

9006

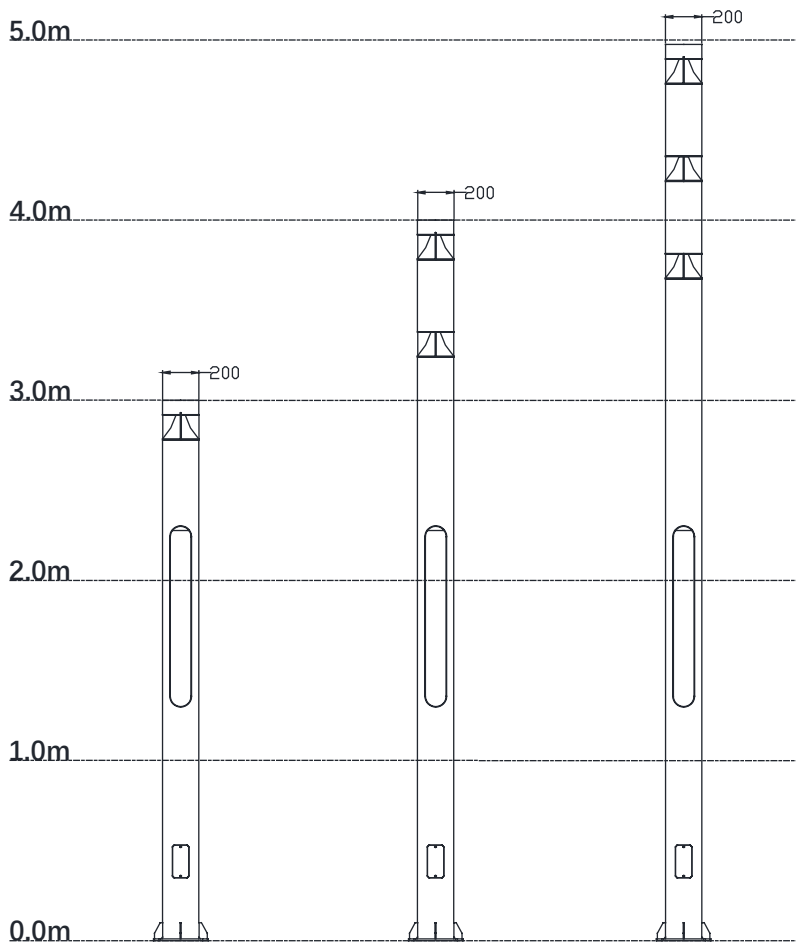
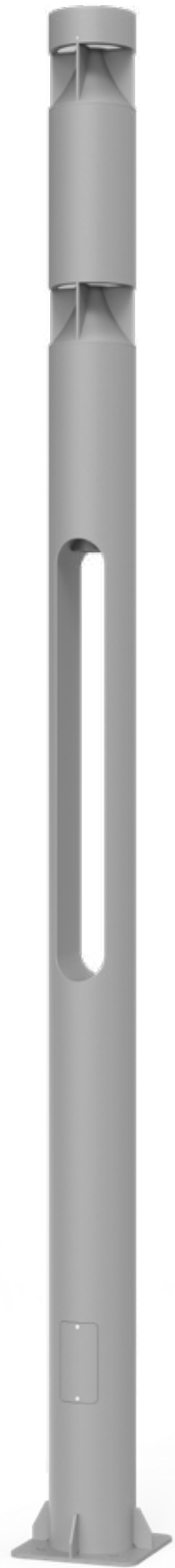
9007

9016

IP65

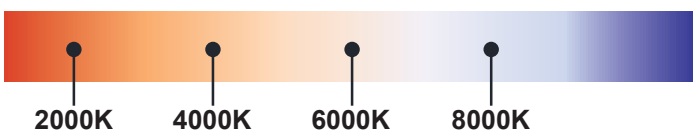


庭院灯 GARDEN LIGHT



DM-YG1b

Color temperature



G3

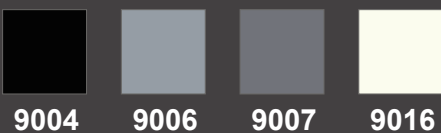
中山市灯鸣照明科技有限公司



Rated power	额定功率	30W~60W	Power Factor	功率因素	> 0.9
LED Quantity	LED 数量	30-60pcs	Life	使用寿命	> 50000H
Color Temperature	色温	6000k/4000k/3000k	THD	总谐波失真	< 15%
Luminous Flux	初始光通量	2700lm~5400lm	Frequency Range	频率范围	50/60HZ
Input Voltage	输入电压	AC220~240V	Installation Pipe Diameter	安装管径	/
Protection Grade	防护等级	IP65	CRI	显色指数	> 90
Operating Temperature	工作环境温度	-30~50°C			

DM-YG1b

Standard colours

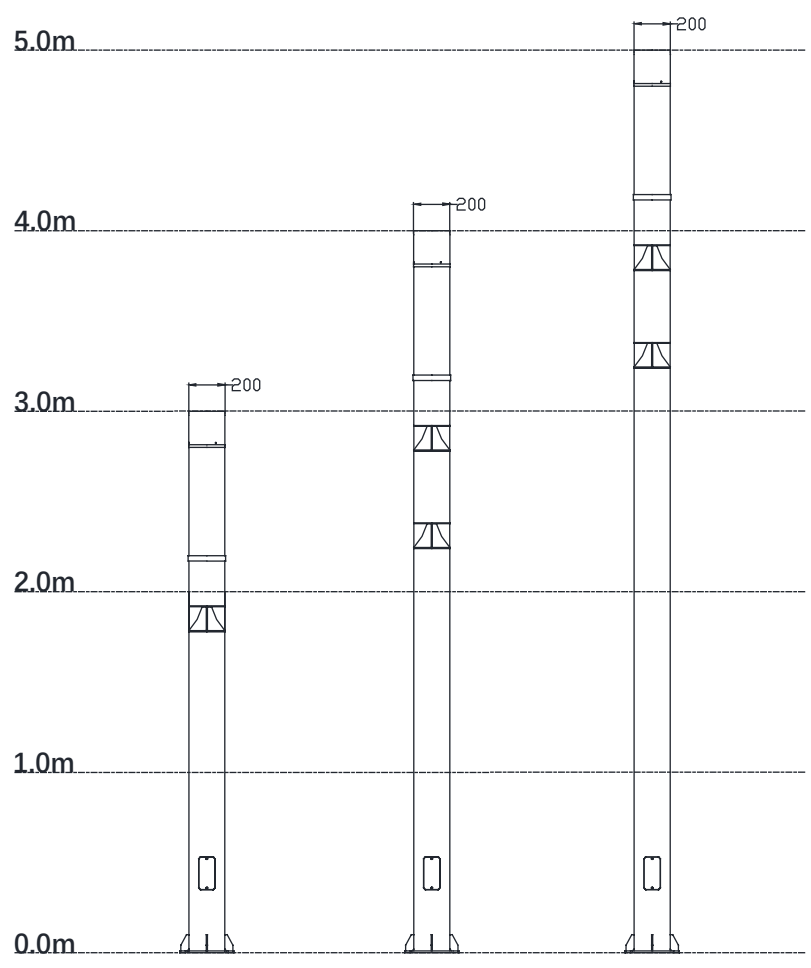
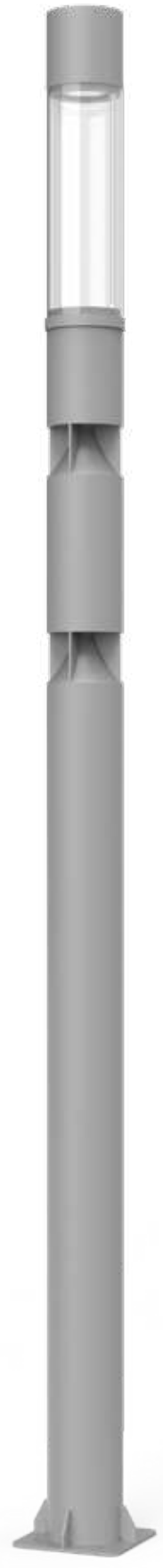


9004

9006

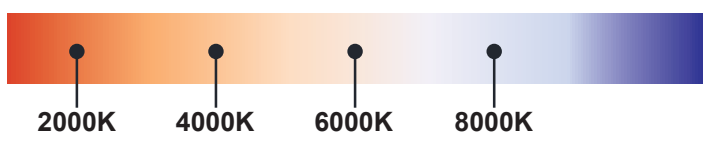
9007

9016



DM-YG1c

Color temperature



G5



Rated power	额定功率	30W~60W	Power Factor	功率因素	> 0.9
LED Quantity	LED 数量	30-60pcs	Life	使用寿命	> 50000H
Color Temperature	色温	6000k/4000k/3000k	THD	总谐波失真	< 15%
Luminous Flux	初始光通量	2700lm~5400lm	Frequency Range	频率范围	50/60HZ
Input Voltage	输入电压	AC220~240V	Installation Pipe Diameter	安装管径	/
Protection Grade	防护等级	IP65	CRI	显色指数	> 90
Operating Temperature	工作环境温度	-30~50°C			

DM-YG1c

Standard colours

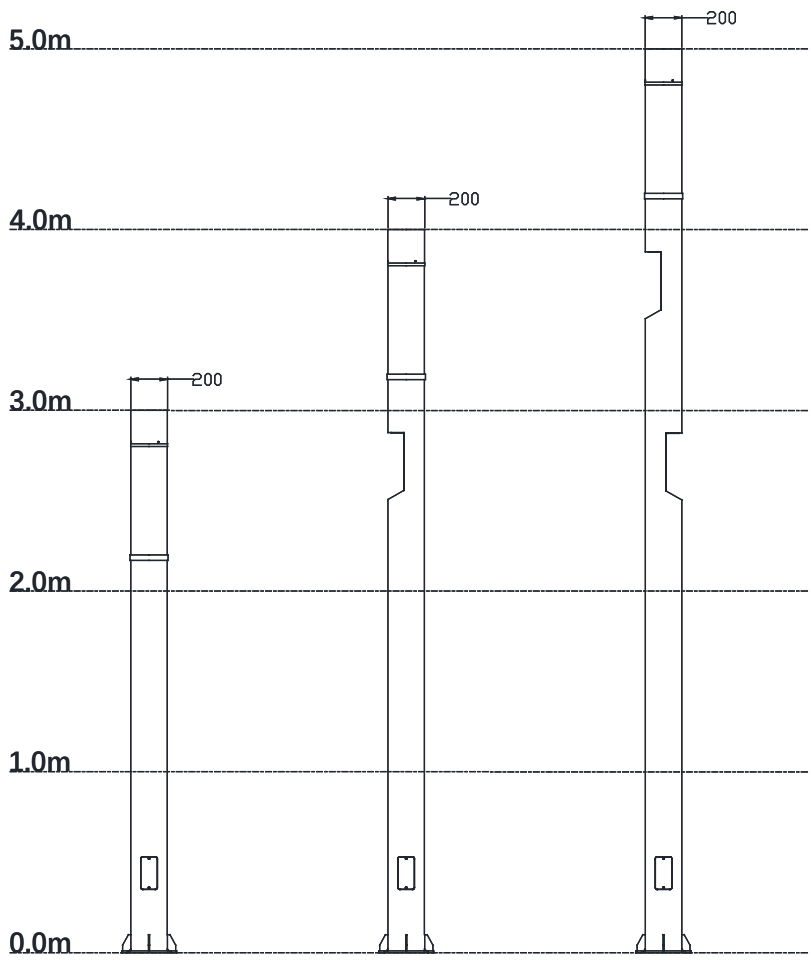


9004

9006

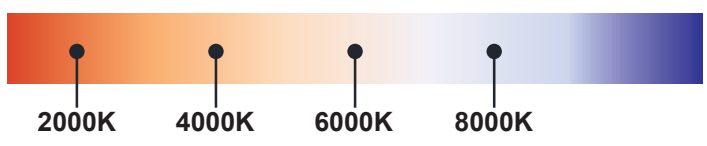
9007

9016



DM-YG2a

Color temperature



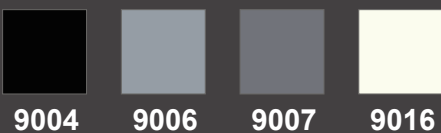
G7



Rated power	额定功率	30W~60W	Power Factor	功率因素	> 0.9
LED Quantity	LED 数量	30-60pcs	Life	使用寿命	> 50000H
Color Temperature	色温	6000k/4000k/3000k	THD	总谐波失真	< 15%
Luminous Flux	初始光通量	2700lm~5400lm	Frequency Range	频率范围	50/60HZ
Input Voltage	输入电压	AC220~240V	Installation Pipe Diameter	安装管径	/
Protection Grade	防护等级	IP65	CRI	显色指数	> 90
Operating Temperature	工作环境温度	-30~50°C			

DM-YG2a

Standard colours

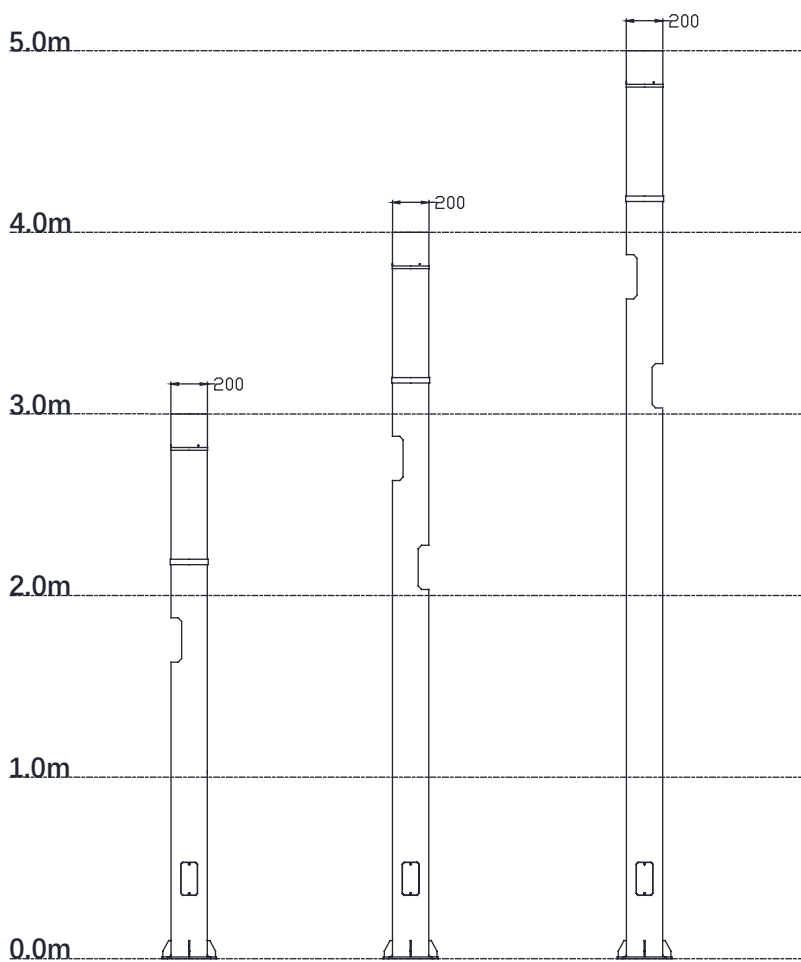
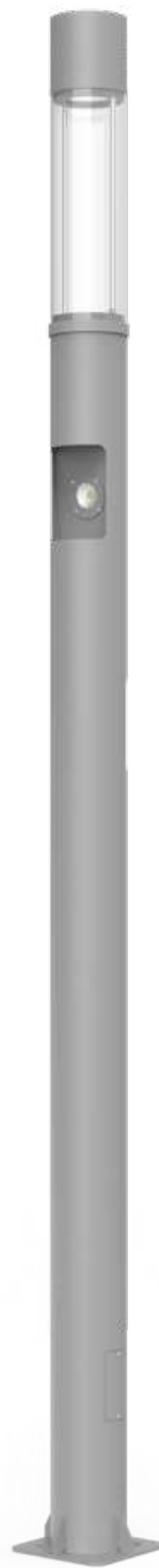


9004

9006

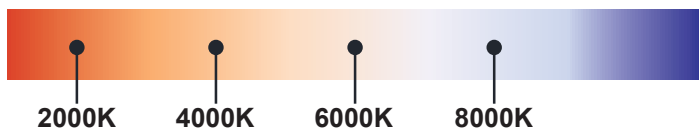
9007

9016



DM-YG3a

Color temperature



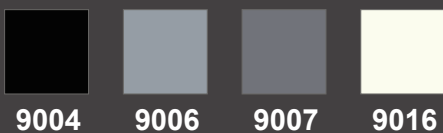
G9



Rated power	额定功率	30W~60W	Power Factor	功率因素	> 0.9
LED Quantity	LED 数量	30-60pcs	Life	使用寿命	> 50000H
Color Temperature	色温	6000k/4000k/3000k	THD	总谐波失真	< 15%
Luminous Flux	初始光通量	2700lm~5400lm	Frequency Range	频率范围	50/60HZ
Input Voltage	输入电压	AC220~240V	Installation Pipe Diameter	安装管径	/
Protection Grade	防护等级	IP65	CRI	显色指数	> 90
Operating Temperature	工作环境温度	-30~50°C			

DM-YG3a

Standard colours

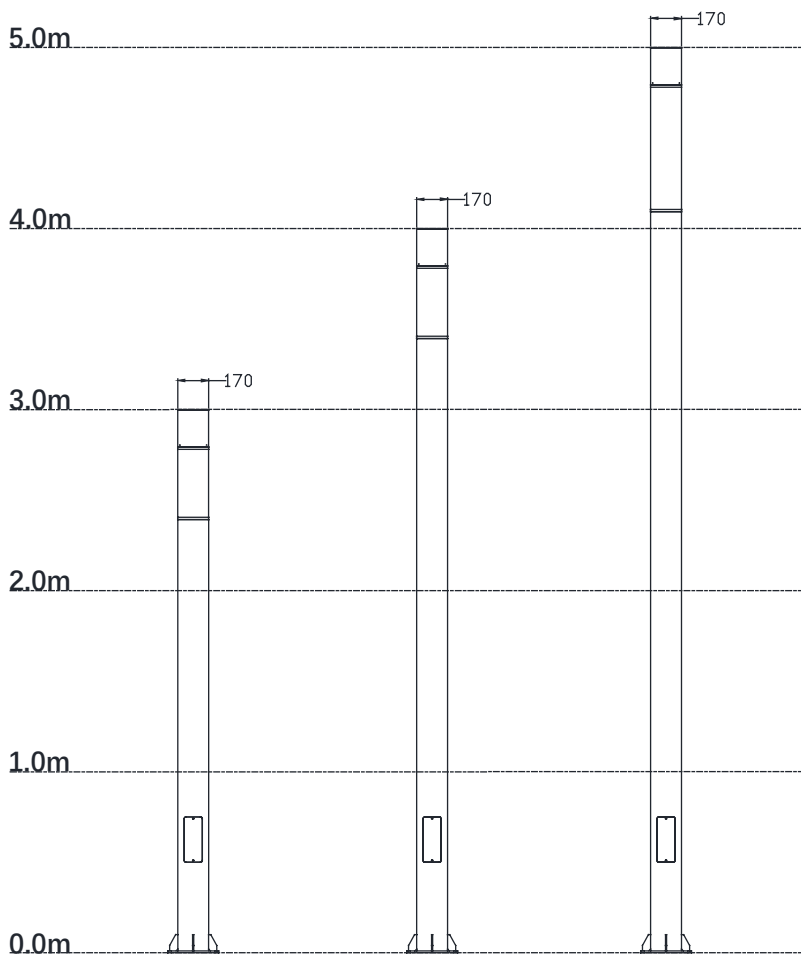
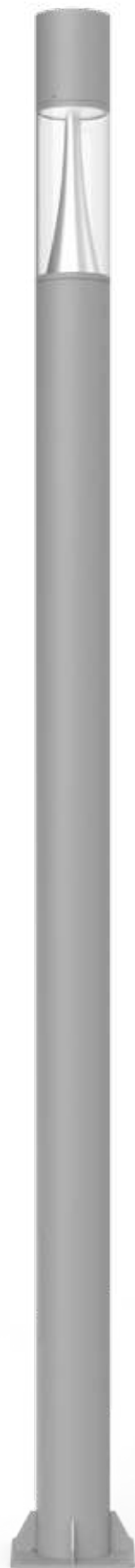


9004

9006

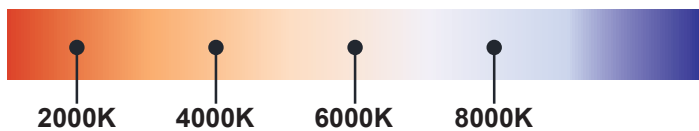
9007

9016



DM-YG4a

Color temperature

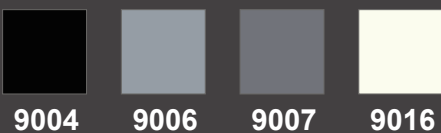




Rated power	额定功率	30W~60W	Power Factor	功率因素	> 0.9
LED Quantity	LED 数量	30-60pcs	Life	使用寿命	> 50000H
Color Temperature	色温	6000k/4000k/3000k	THD	总谐波失真	< 15%
Luminous Flux	初始光通量	2700lm~5400lm	Frequency Range	频率范围	50/60HZ
Input Voltage	输入电压	AC220~240V	Installation Pipe Diameter	安装管径	/
Protection Grade	防护等级	IP65	CRI	显色指数	> 90
Operating Temperature	工作环境温度	-30~50°C			

DM-YG4a

Standard colours



9004

9006

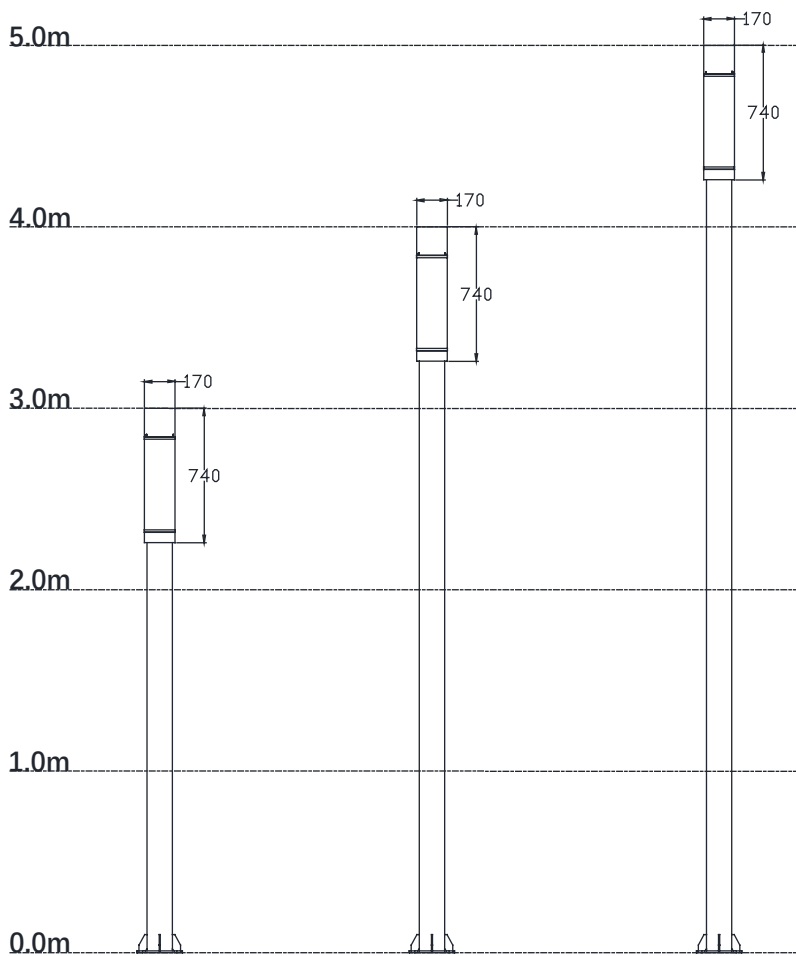
9007

9016

IP65

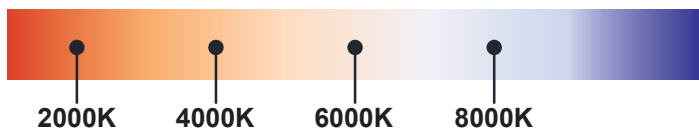


庭院灯 GARDEN LIGHT



DM-YG5a

Color temperature



G13

中山市灯鸣照明科技有限公司



Rated power	额定功率	30W~60W	Power Factor	功率因素	> 0.9
LED Quantity	LED 数量	30-60pcs	Life	使用寿命	> 50000H
Color Temperature	色温	6000k/4000k/3000k	THD	总谐波失真	< 15%
Luminous Flux	初始光通量	2700lm~5400lm	Frequency Range	频率范围	50/60HZ
Input Voltage	输入电压	AC220~240V	Installation Pipe Diameter	安装管径	/
Protection Grade	防护等级	IP65	CRI	显色指数	> 90
Operating Temperature	工作环境温度	-30~50℃			

DM-YG5a

Standard colours

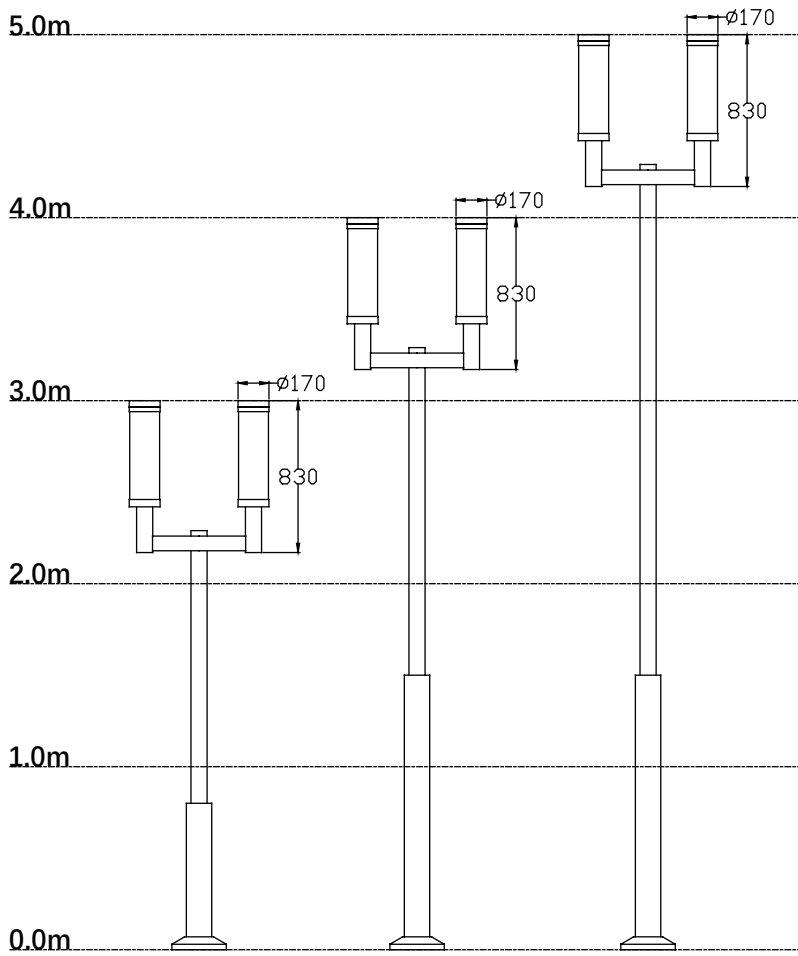


9004

9006

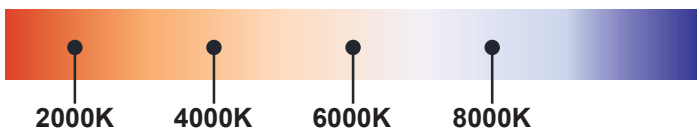
9007

9016



DM-YG6a

Color temperature



G15

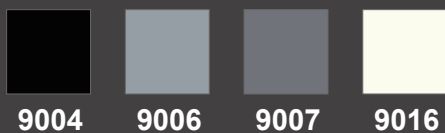
中山市灯鸣照明科技有限公司



Rated power	额定功率	30W~60W	Power Factor	功率因素	> 0.9
LED Quantity	LED 数量	30-60pcs	Life	使用寿命	> 50000H
Color Temperature	色温	6000k/4000k/3000k	THD	总谐波失真	< 15%
Luminous Flux	初始光通量	2700lm~5400lm	Frequency Range	频率范围	50/60HZ
Input Voltage	输入电压	AC220~240V	Installation Pipe Diameter	安装管径	/
Protection Grade	防护等级	IP65	CRI	显色指数	> 90
Operating Temperature	工作环境温度	-30~50°C			

DM-YG6a

Standard colours



9004

9006

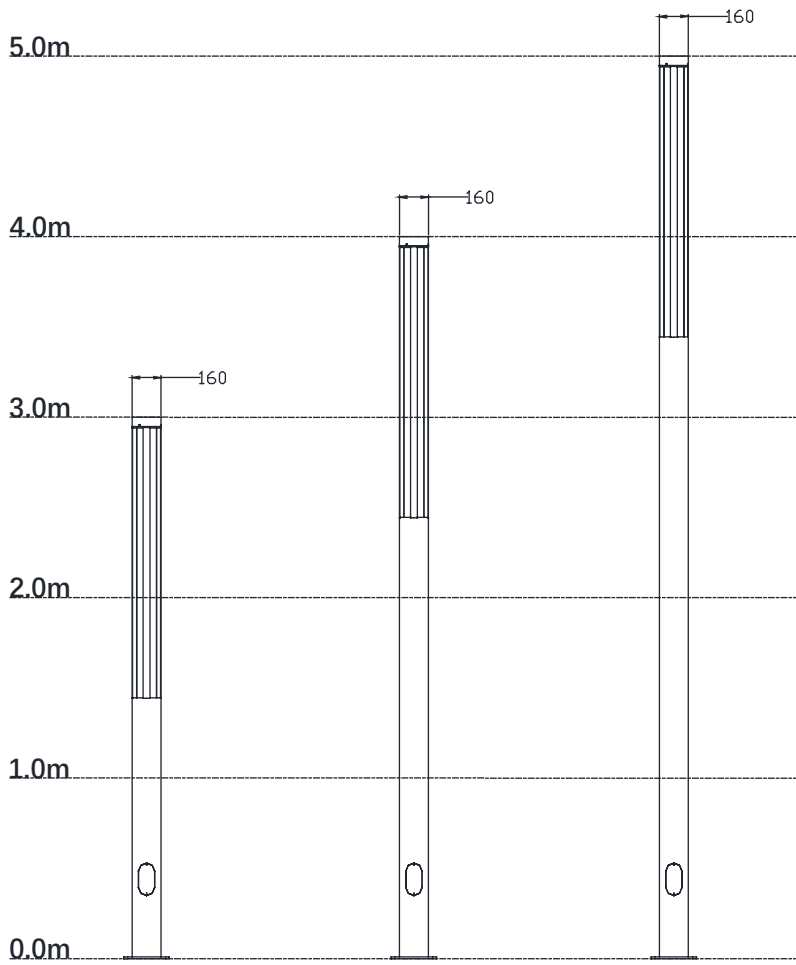
9007

9016

IP65

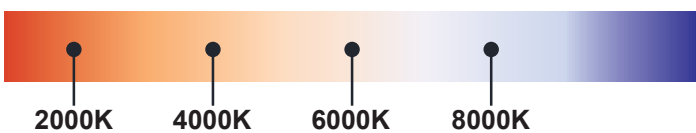


庭院灯 GARDEN LIGHT



DM-YG7a

Color temperature



2000K

4000K

6000K

8000K



G17

中山市灯鸣照明科技有限公司



Rated power	额定功率	30W~60W	Power Factor	功率因素	> 0.9
LED Quantity	LED 数量	30-60pcs	Life	使用寿命	> 50000H
Color Temperature	色温	6000k/4000k/3000k	THD	总谐波失真	< 15%
Luminous Flux	初始光通量	2700lm~5400lm	Frequency Range	频率范围	50/60HZ
Input Voltage	输入电压	AC220~240V	Installation Pipe Diameter	安装管径	/
Protection Grade	防护等级	IP65	CRI	显色指数	> 90
Operating Temperature	工作环境温度	-30~50°C			

DM-YG7a

Standard colours

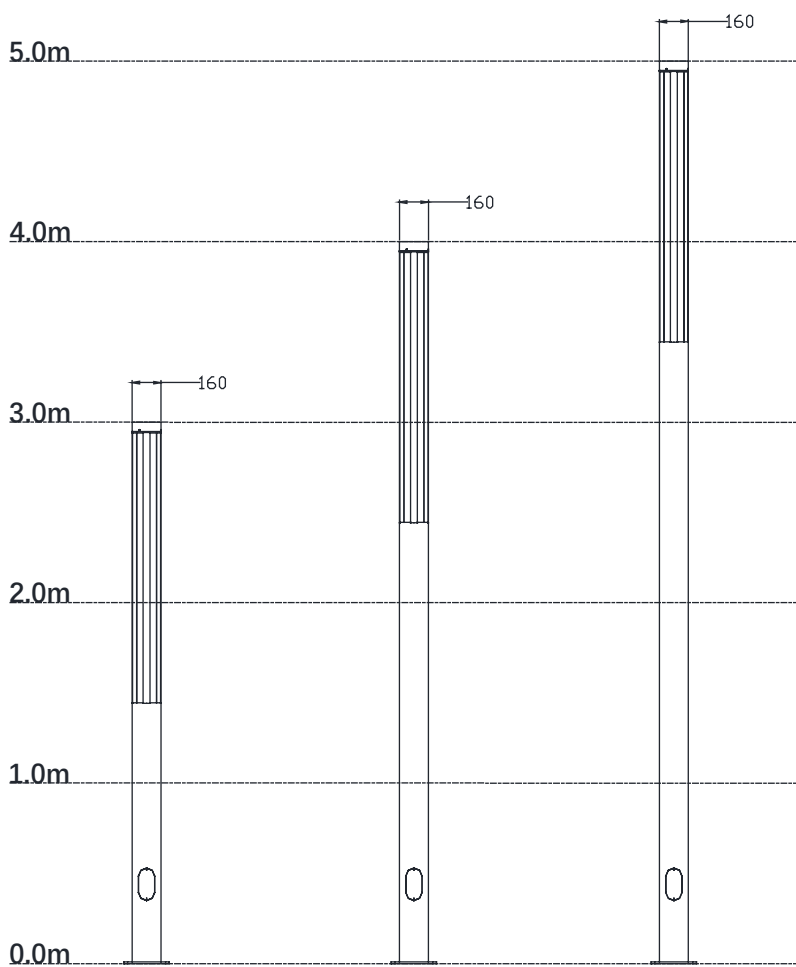


9004

9006

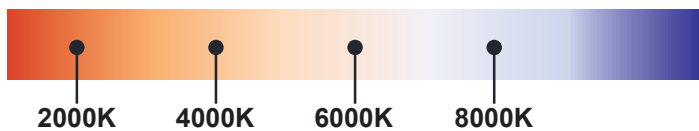
9007

9016



DM-YG8a

Color temperature



G19

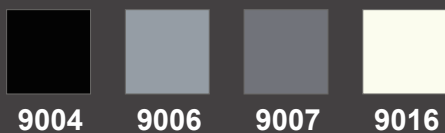
中山市灯鸣照明科技有限公司



Rated power	额定功率	30W~60W	Power Factor	功率因素	> 0.9
LED Quantity	LED 数量	30-60pcs	Life	使用寿命	> 50000H
Color Temperature	色温	6000k/4000k/3000k	THD	总谐波失真	< 15%
Luminous Flux	初始光通量	2700lm~5400lm	Frequency Range	频率范围	50/60HZ
Input Voltage	输入电压	AC220~240V	Installation Pipe Diameter	安装管径	/
Protection Grade	防护等级	IP65	CRI	显色指数	> 90
Operating Temperature	工作环境温度	-30~50°C			

DM-YG8a

Standard colours

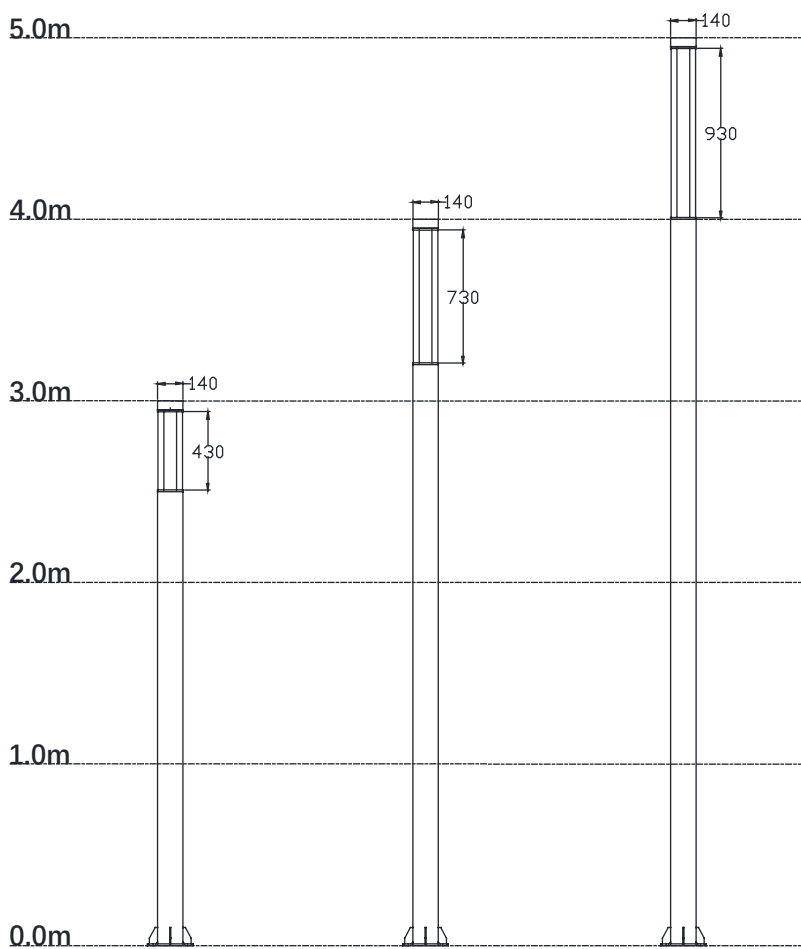
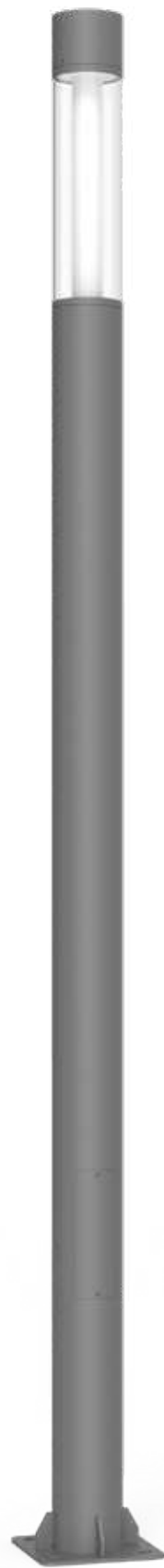


9004

9006

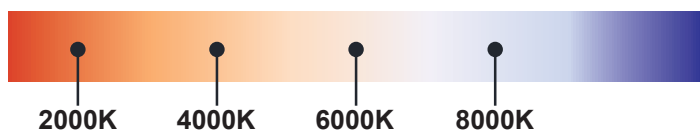
9007

9016



DM-YG9a

Colo(u)r temperature



G21

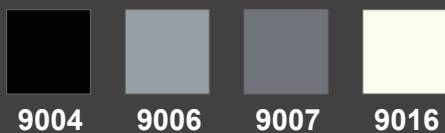
中山市灯鸣照明科技有限公司



Rated power	额定功率	30W~60W	Power Factor	功率因素	> 0.9
LED Quantity	LED 数量	30-60pcs	Life	使用寿命	> 50000H
Color Temperature	色温	6000k/4000k/3000k	THD	总谐波失真	< 15%
Luminous Flux	初始光通量	2700lm~5400lm	Frequency Range	频率范围	50/60HZ
Input Voltage	输入电压	AC220~240V	Installation Pipe Diameter	安装管径	/
Protection Grade	防护等级	IP65	CRI	显色指数	> 90
Operating Temperature	工作环境温度	-30~50°C			

DM-YG9a

Standard colours

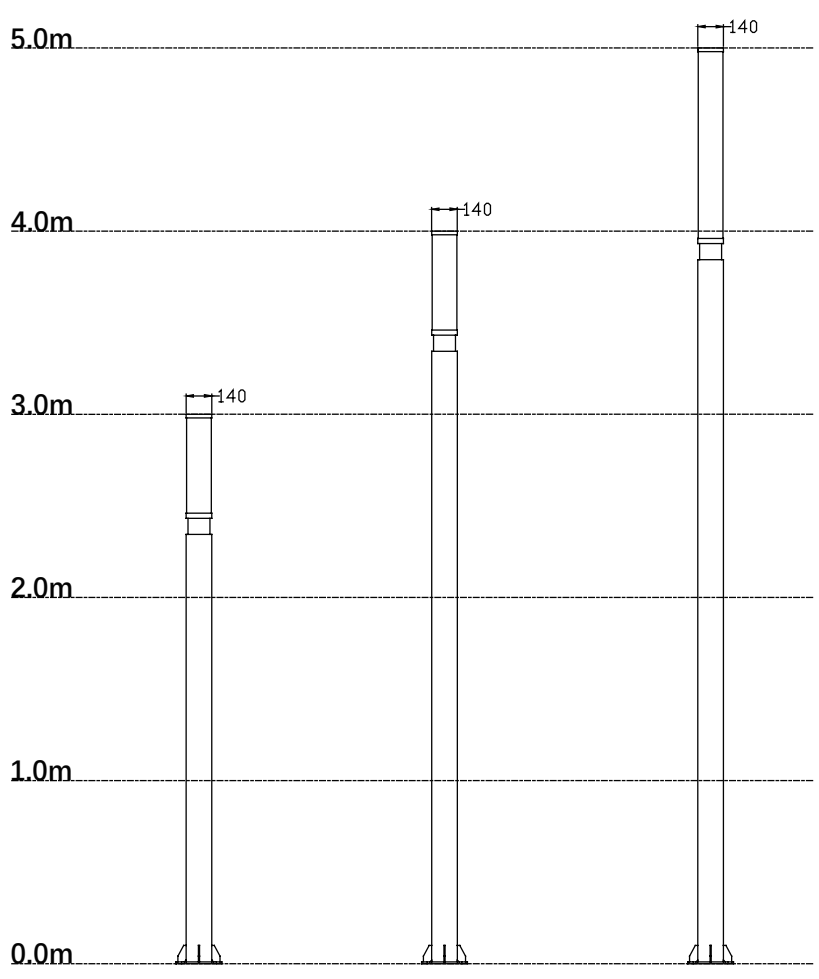


9004

9006

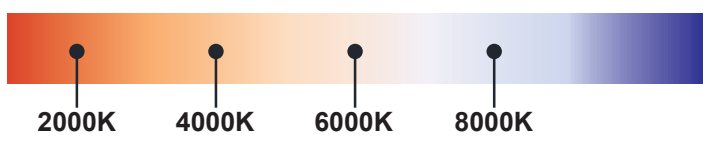
9007

9016



DM-YG10a

Color temperature



G23

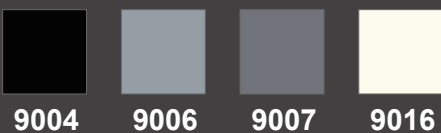
中山市灯鸣照明科技有限公司



Rated power	额定功率	30W~60W	Power Factor	功率因素	> 0.9
LED Quantity	LED 数量	30-60pcs	Life	使用寿命	> 50000H
Color Temperature	色温	6000k/4000k/3000k	THD	总谐波失真	< 15%
Luminous Flux	初始光通量	2700lm~5400lm	Frequency Range	频率范围	50/60HZ
Input Voltage	输入电压	AC220~240V	Installation Pipe Diameter	安装管径	/
Protection Grade	防护等级	IP65	CRI	显色指数	> 90
Operating Temperature	工作环境温度	-30~50°C			

DM-YG10a

Standard colours



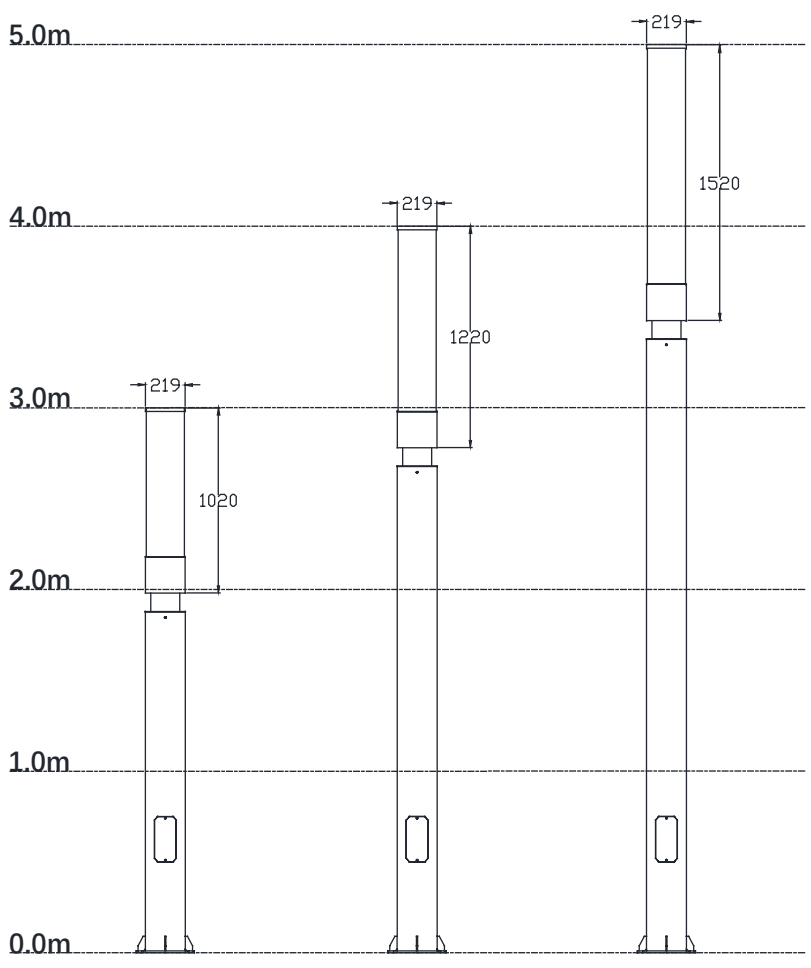
9004

9006

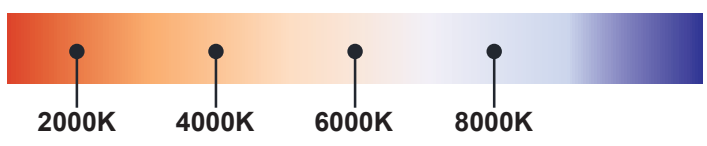
9007

9016

DM-YG11a



Color temperature



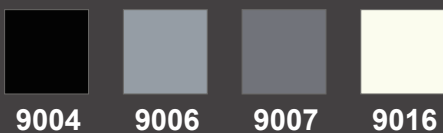
G25



Rated power	额定功率	30W~60W	Power Factor	功率因素	> 0.9
LED Quantity	LED 数量	30-60pcs	Life	使用寿命	> 50000H
Color Temperature	色温	6000k/4000k/3000k	THD	总谐波失真	< 15%
Luminous Flux	初始光通量	2700lm~5400lm	Frequency Range	频率范围	50/60HZ
Input Voltage	输入电压	AC220~240V	Installation Pipe Diameter	安装管径	/
Protection Grade	防护等级	IP65	CRI	显色指数	> 90
Operating Temperature	工作环境温度	-30~50°C			

DM-YG11a

Standard colours

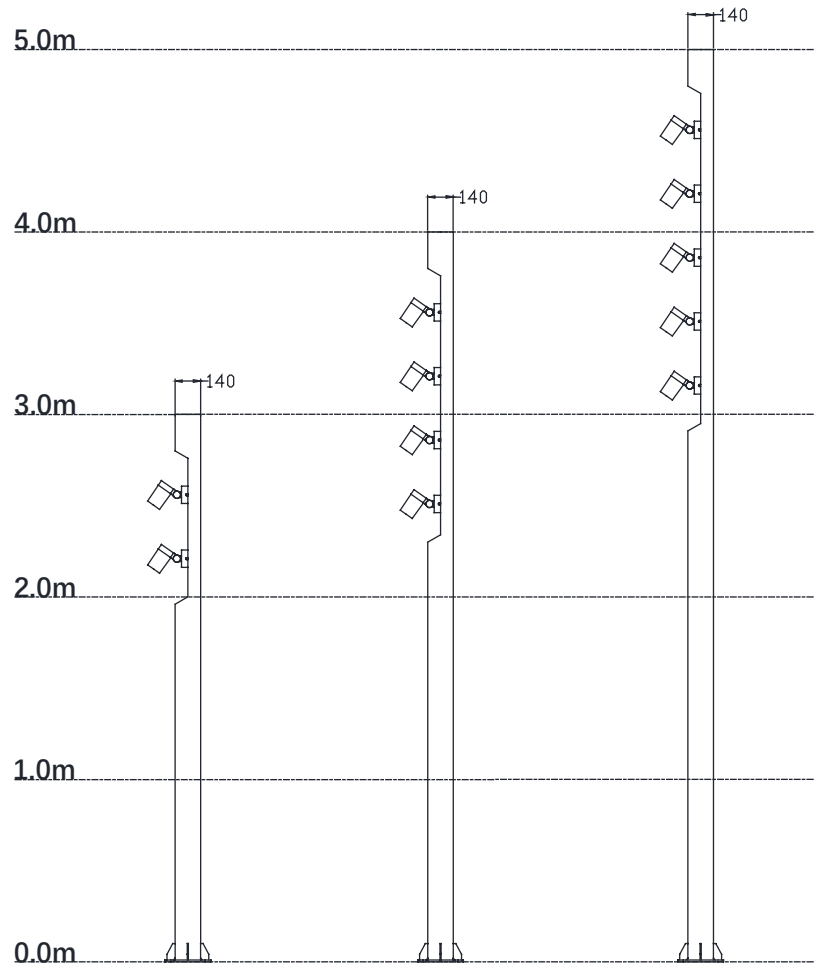


9004

9006

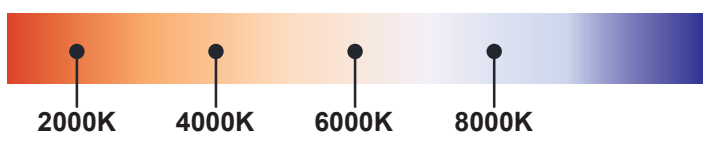
9007

9016



DM-YG12a

Color temperature



G27

中山市灯鸣照明科技有限公司



Rated power	额定功率	30W~60W	Power Factor	功率因素	> 0.9
LED Quantity	LED 数量	30-60pcs	Life	使用寿命	> 50000H
Color Temperature	色温	6000k/4000k/3000k	THD	总谐波失真	< 15%
Luminous Flux	初始光通量	2700lm~5400lm	Frequency Range	频率范围	50/60HZ
Input Voltage	输入电压	AC220~240V	Installation Pipe Diameter	安装管径	/
Protection Grade	防护等级	IP65	CRI	显色指数	> 90
Operating Temperature	工作环境温度	-30~50°C			

DM-YG12a

Standard colours

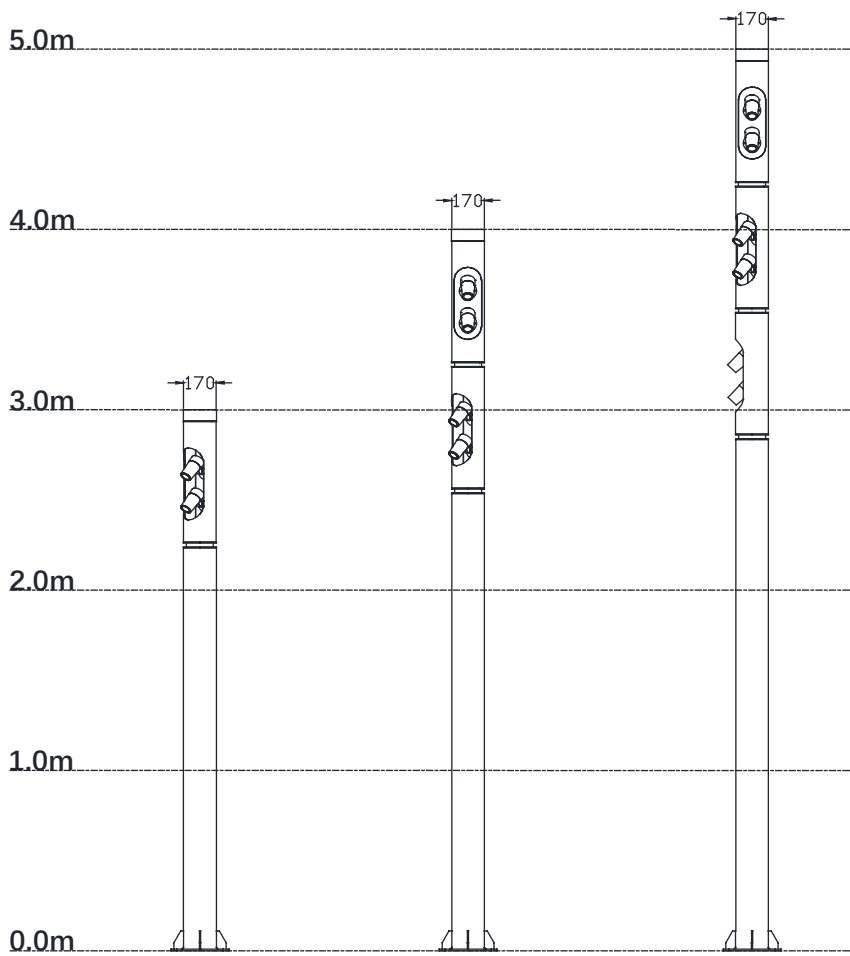


9004

9006

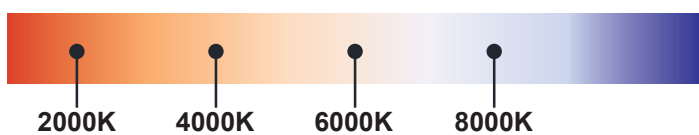
9007

9016



DM-YG13a

Colo(u)r temperature



G29

中山市灯鸣照明科技有限公司



Rated power	额定功率	30W~60W	Power Factor	功率因素	> 0.9
LED Quantity	LED 数量	30-60pcs	Life	使用寿命	> 50000H
Color Temperature	色温	6000k/4000k/3000k	THD	总谐波失真	< 15%
Luminous Flux	初始光通量	2700lm~5400lm	Frequency Range	频率范围	50/60HZ
Input Voltage	输入电压	AC220~240V	Installation Pipe Diameter	安装管径	/
Protection Grade	防护等级	IP65	CRI	显色指数	> 90
Operating Temperature	工作环境温度	-30~50°C			

DM-YG13a

Standard colours

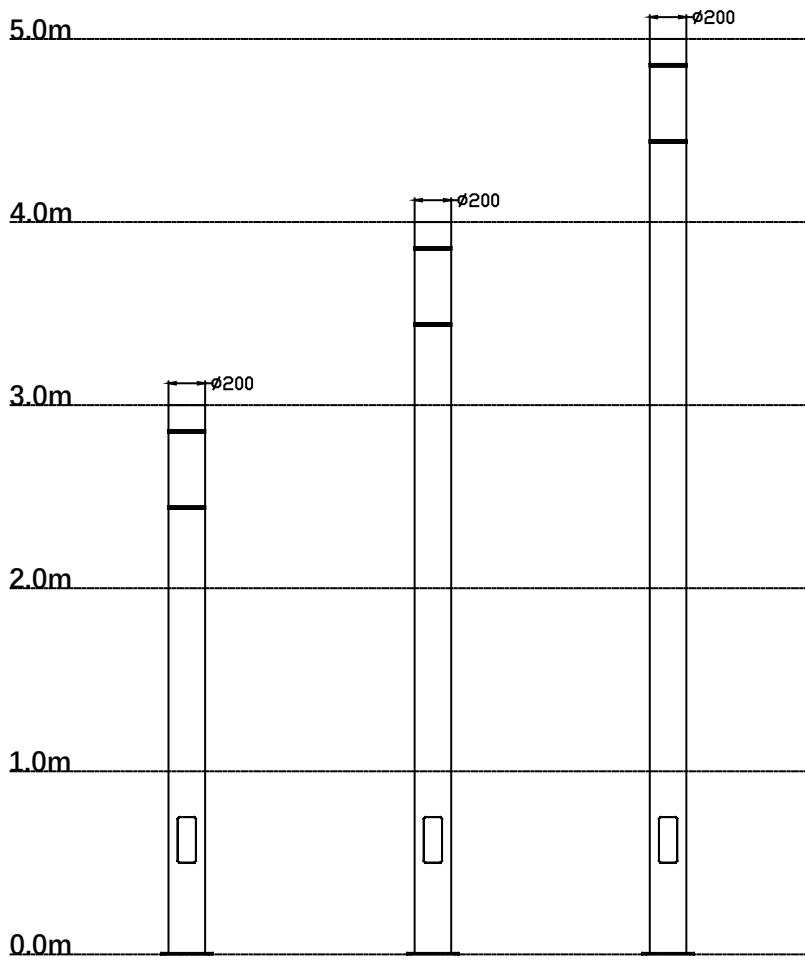


9004

9006

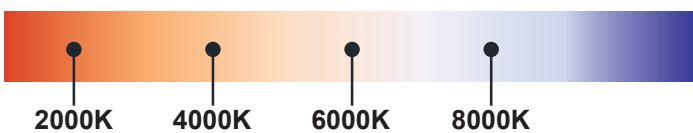
9007

9016



DM-YG14a

Color temperature



G31

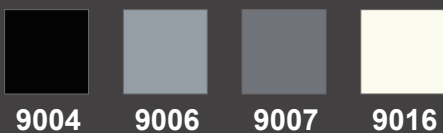
中山市灯鸣照明科技有限公司



Rated power	额定功率	30W~60W	Power Factor	功率因素	> 0.9
LED Quantity	LED 数量	30-60pcs	Life	使用寿命	> 50000H
Color Temperature	色温	6000k/4000k/3000k	THD	总谐波失真	< 15%
Luminous Flux	初始光通量	2700lm~5400lm	Frequency Range	频率范围	50/60HZ
Input Voltage	输入电压	AC220~240V	Installation Pipe Diameter	安装管径	/
Protection Grade	防护等级	IP65	CRI	显色指数	> 90
Operating Temperature	工作环境温度	-30~50°C			

DM-YG14a

Standard colours

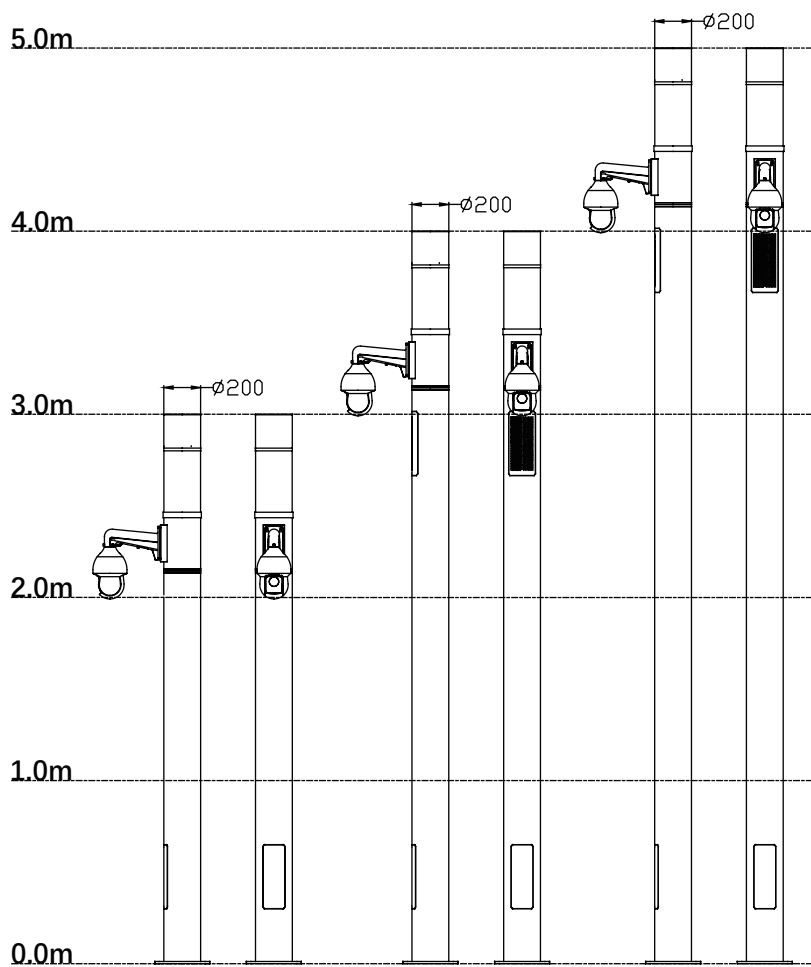
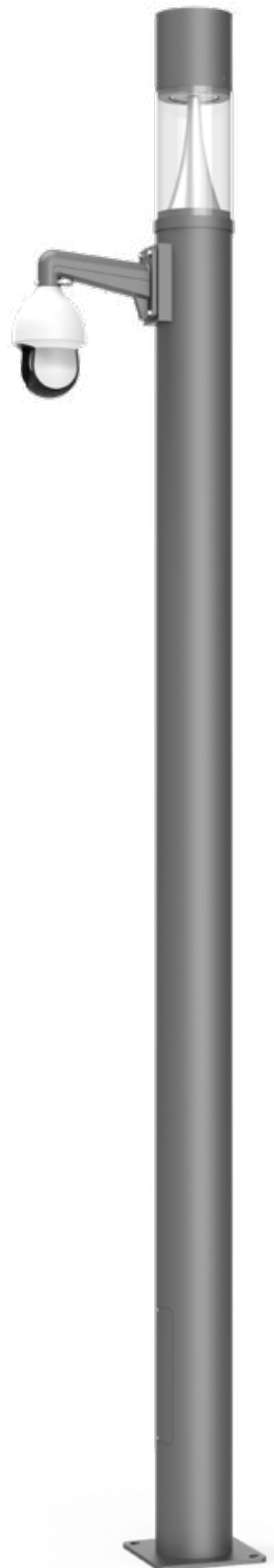


9004

9006

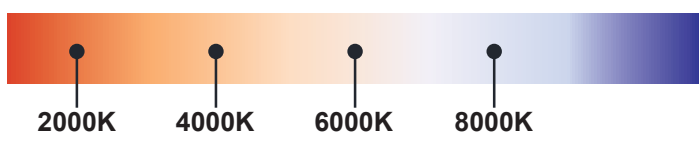
9007

9016



DM-YG15a

Color temperature



G33

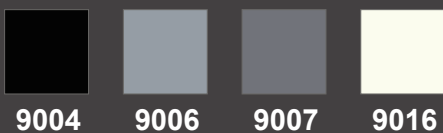
中山市灯鸣照明科技有限公司



Rated power	额定功率	30W~60W	Power Factor	功率因素	> 0.9
LED Quantity	LED 数量	30-60pcs	Life	使用寿命	> 50000H
Color Temperature	色温	6000k/4000k/3000k	THD	总谐波失真	< 15%
Luminous Flux	初始光通量	2700lm~5400lm	Frequency Range	频率范围	50/60HZ
Input Voltage	输入电压	AC220~240V	Installation Pipe Diameter	安装管径	/
Protection Grade	防护等级	IP65	CRI	显色指数	> 90
Operating Temperature	工作环境温度	-30~50°C			

DM-YG15a

Standard colours

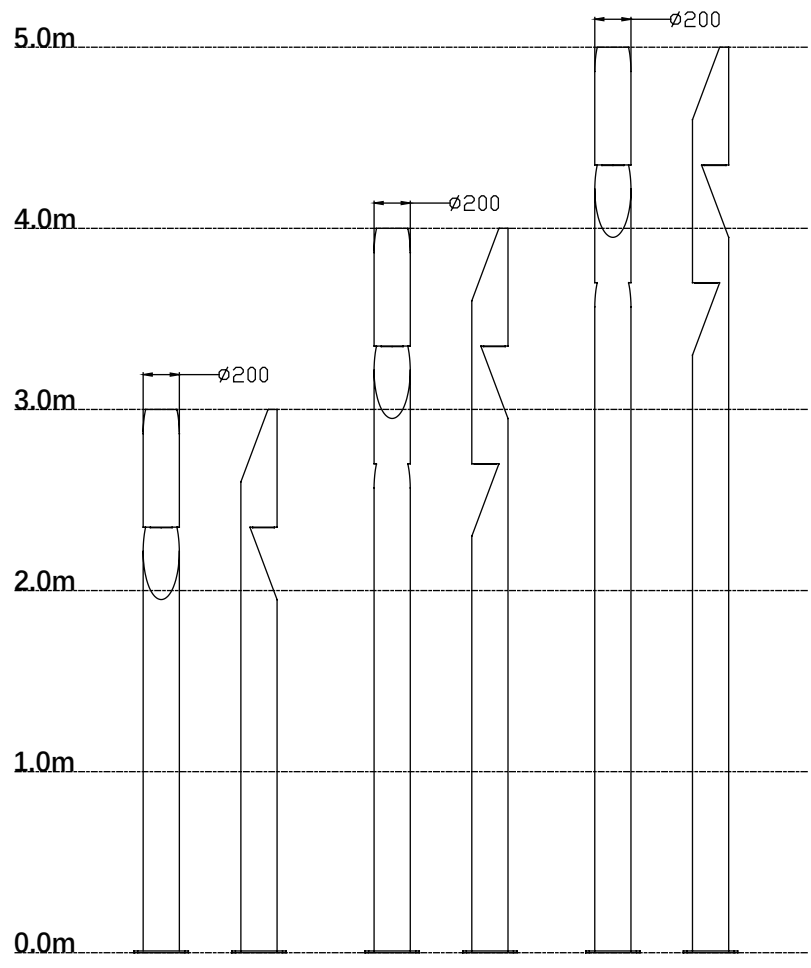


9004

9006

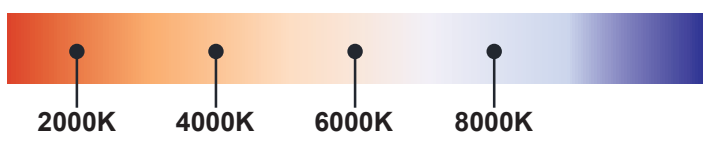
9007

9016



DM-YG16a

Color temperature

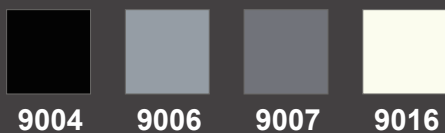




Rated power	额定功率	30W~60W	Power Factor	功率因素	> 0.9
LED Quantity	LED 数量	30-60pcs	Life	使用寿命	> 50000H
Color Temperature	色温	6000k/4000k/3000k	THD	总谐波失真	< 15%
Luminous Flux	初始光通量	2700lm~5400lm	Frequency Range	频率范围	50/60HZ
Input Voltage	输入电压	AC220~240V	Installation Pipe Diameter	安装管径	/
Protection Grade	防护等级	IP65	CRI	显色指数	> 90
Operating Temperature	工作环境温度	-30~50°C			

DM-YG16a

Standard colours

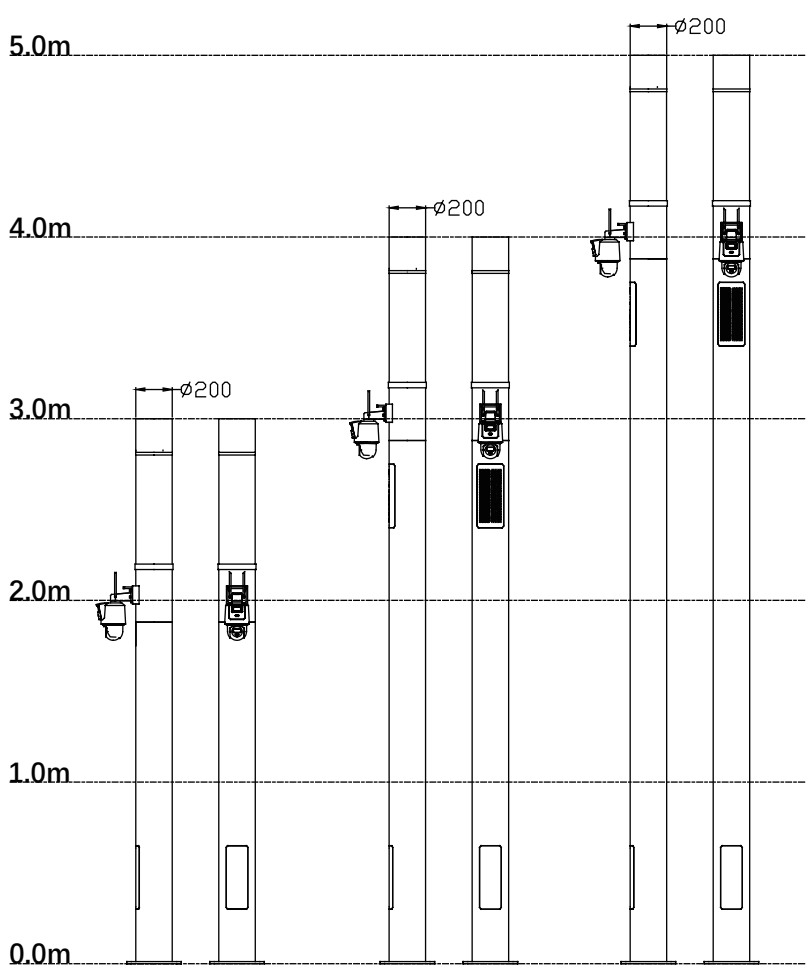


9004

9006

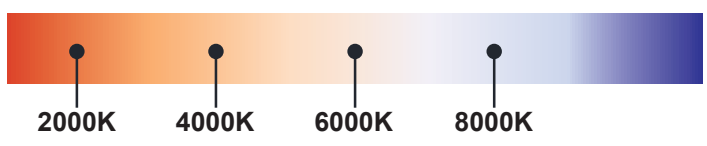
9007

9016



DM-YG17a

Color temperature



G37

中山市灯鸣照明科技有限公司



Rated power	额定功率	30W~60W	Power Factor	功率因素	> 0.9
LED Quantity	LED 数量	30-60pcs	Life	使用寿命	> 50000H
Color Temperature	色温	6000k/4000k/3000k	THD	总谐波失真	< 15%
Luminous Flux	初始光通量	2700lm~5400lm	Frequency Range	频率范围	50/60HZ
Input Voltage	输入电压	AC220~240V	Installation Pipe Diameter	安装管径	/
Protection Grade	防护等级	IP65	CRI	显色指数	> 90
Operating Temperature	工作环境温度	-30~50°C			

DM-YG17a

Standard colours

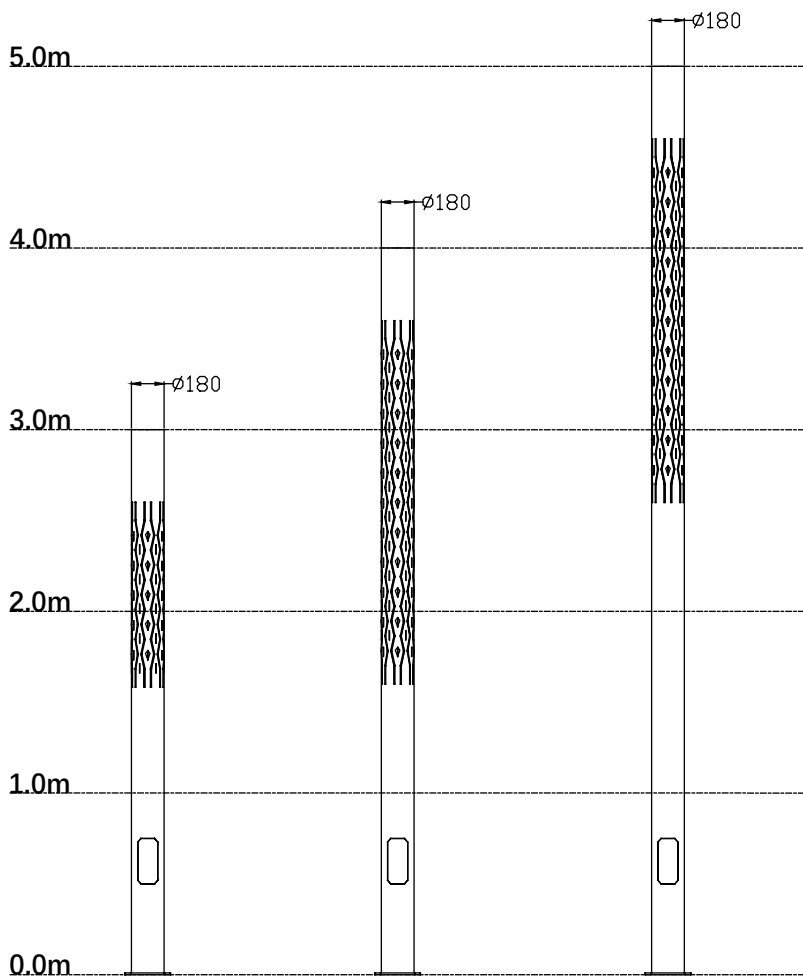


9004

9006

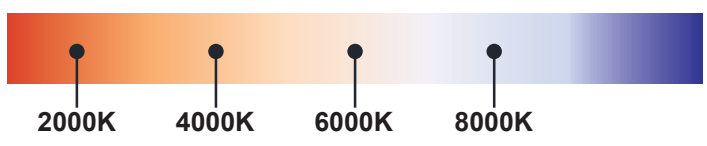
9007

9016



DM-YG18a

Color temperature



G39

中山市灯鸣照明科技有限公司



Rated power	额定功率	30W~60W	Power Factor	功率因素	> 0.9
LED Quantity	LED 数量	30-60pcs	Life	使用寿命	> 50000H
Color Temperature	色温	6000k/4000k/3000k	THD	总谐波失真	< 15%
Luminous Flux	初始光通量	2700lm~5400lm	Frequency Range	频率范围	50/60HZ
Input Voltage	输入电压	AC220~240V	Installation Pipe Diameter	安装管径	/
Protection Grade	防护等级	IP65	CRI	显色指数	> 90
Operating Temperature	工作环境温度	-30~50°C			

DM-YG18a

Standard colours

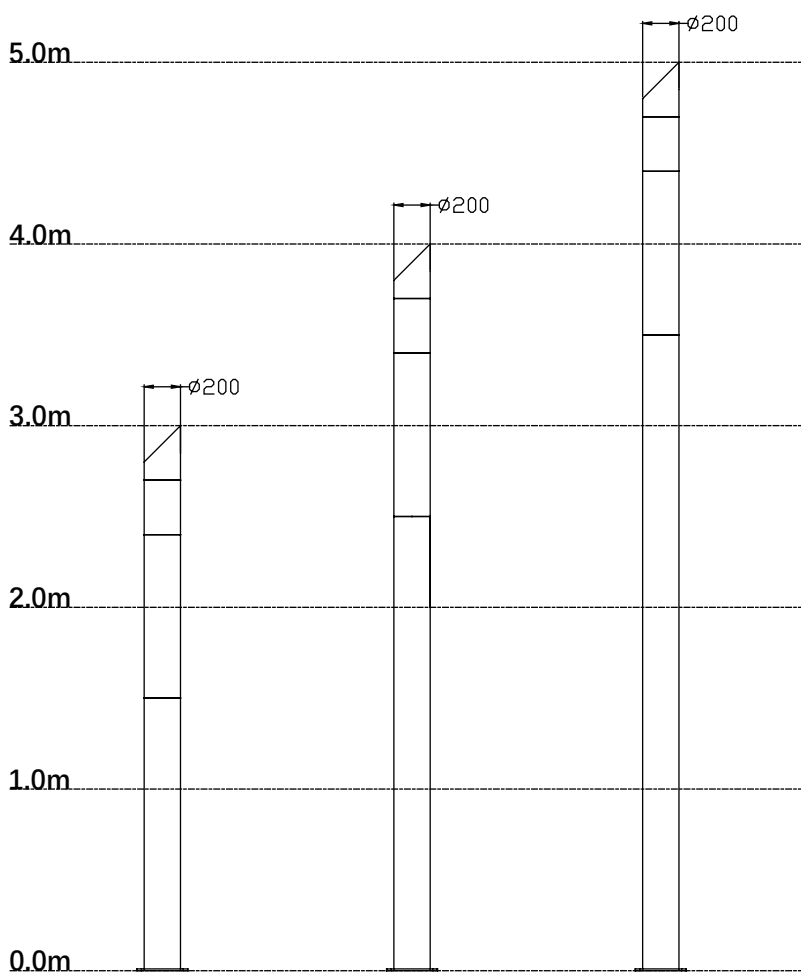
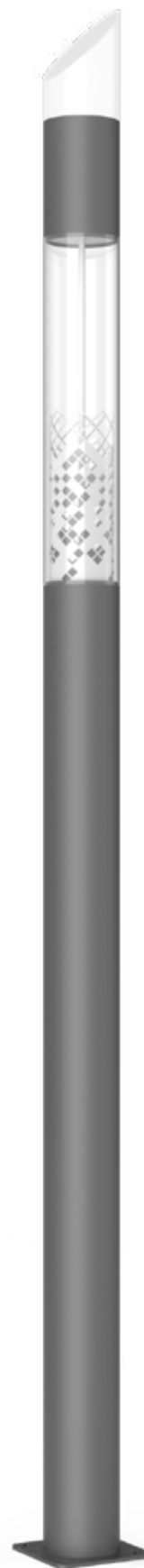


9004

9006

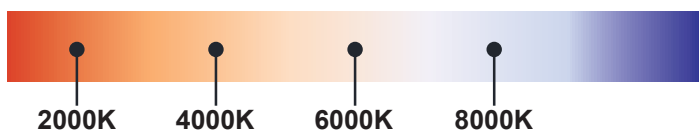
9007

9016



DM-YG19a

Color temperature



G41

中山市灯鸣照明科技有限公司



Rated power	额定功率	30W~60W	Power Factor	功率因素	> 0.9
LED Quantity	LED 数量	30-60pcs	Life	使用寿命	> 50000H
Color Temperature	色温	6000k/4000k/3000k	THD	总谐波失真	< 15%
Luminous Flux	初始光通量	2700lm~5400lm	Frequency Range	频率范围	50/60HZ
Input Voltage	输入电压	AC220~240V	Installation Pipe Diameter	安装管径	/
Protection Grade	防护等级	IP65	CRI	显色指数	> 90
Operating Temperature	工作环境温度	-30~50°C			

DM-YG19a

Standard colours

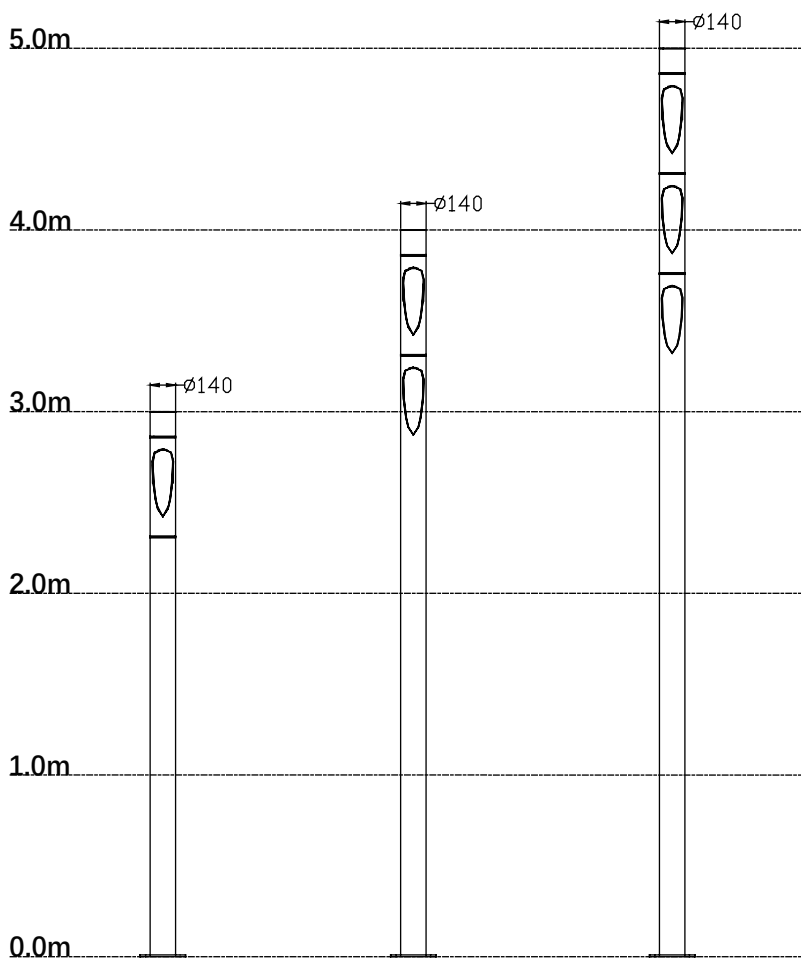


9004

9006

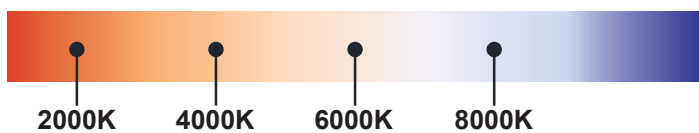
9007

9016



DM-YG20a

Color temperature



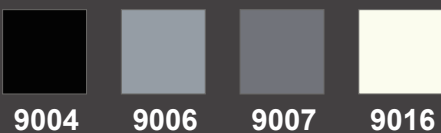
G43



Rated power	额定功率	30W~60W	Power Factor	功率因素	> 0.9
LED Quantity	LED 数量	30-60pcs	Life	使用寿命	> 50000H
Color Temperature	色温	6000k/4000k/3000k	THD	总谐波失真	< 15%
Luminous Flux	初始光通量	2700lm~5400lm	Frequency Range	频率范围	50/60HZ
Input Voltage	输入电压	AC220~240V	Installation Pipe Diameter	安装管径	/
Protection Grade	防护等级	IP65	CRI	显色指数	> 90
Operating Temperature	工作环境温度	-30~50℃			

DM-YG20a

Standard colours

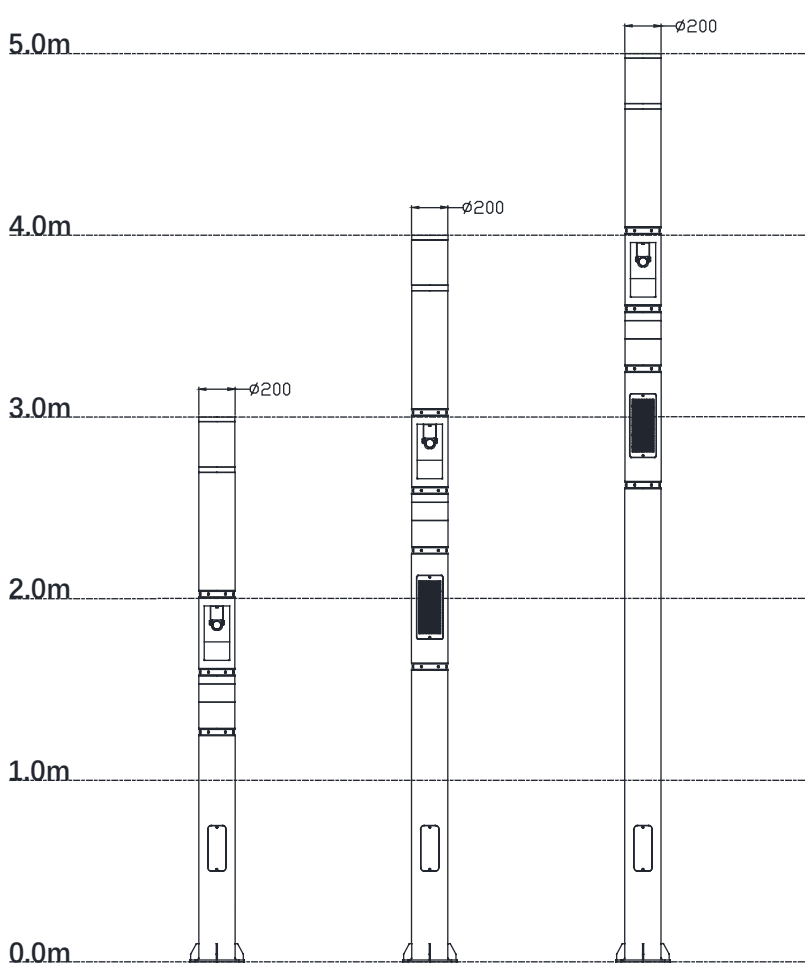


9004

9006

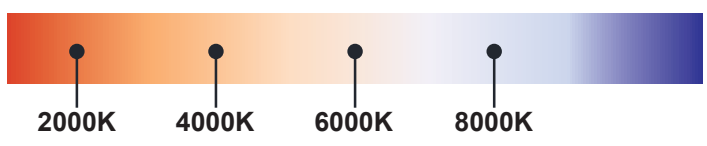
9007

9016



DM-YG21a

Color temperature



G45



Rated power	额定功率	30W~60W	Power Factor	功率因素	> 0.9
LED Quantity	LED 数量	30-60pcs	Life	使用寿命	> 50000H
Color Temperature	色温	6000k/4000k/3000k	THD	总谐波失真	< 15%
Luminous Flux	初始光通量	2700lm~5400lm	Frequency Range	频率范围	50/60HZ
Input Voltage	输入电压	AC220~240V	Installation Pipe Diameter	安装管径	/
Protection Grade	防护等级	IP65	CRI	显色指数	> 90
Operating Temperature	工作环境温度	-30~50°C			

DM-YG21a

Standard colours

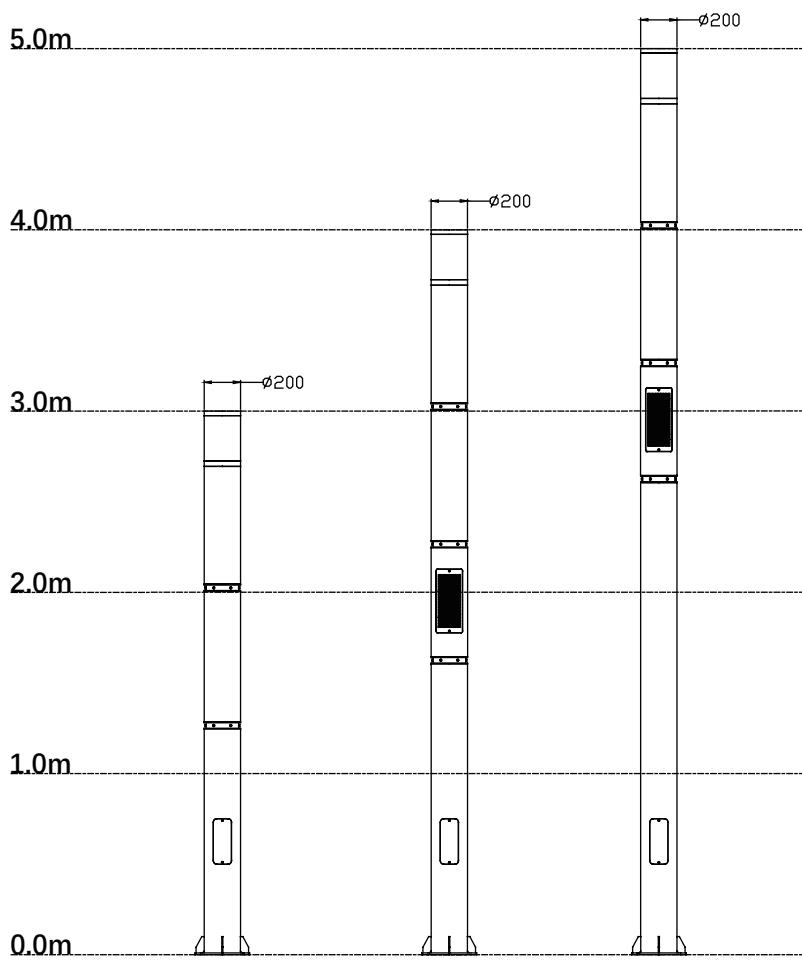


9004

9006

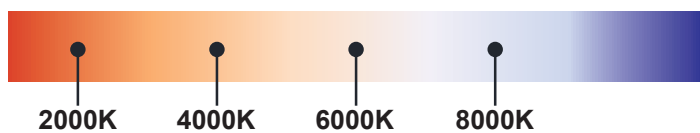
9007

9016



DM-YG22a

Color temperature



G47

中山市灯鸣照明科技有限公司



Rated power	额定功率	30W~60W	Power Factor	功率因素	> 0.9
LED Quantity	LED 数量	30-60pcs	Life	使用寿命	> 50000H
Color Temperature	色温	6000k/4000k/3000k	THD	总谐波失真	< 15%
Luminous Flux	初始光通量	2700lm~5400lm	Frequency Range	频率范围	50/60HZ
Input Voltage	输入电压	AC220~240V	Installation Pipe Diameter	安装管径	/
Protection Grade	防护等级	IP65	CRI	显色指数	> 90
Operating Temperature	工作环境温度	-30~50°C			

DM-YG22a

Standard colours

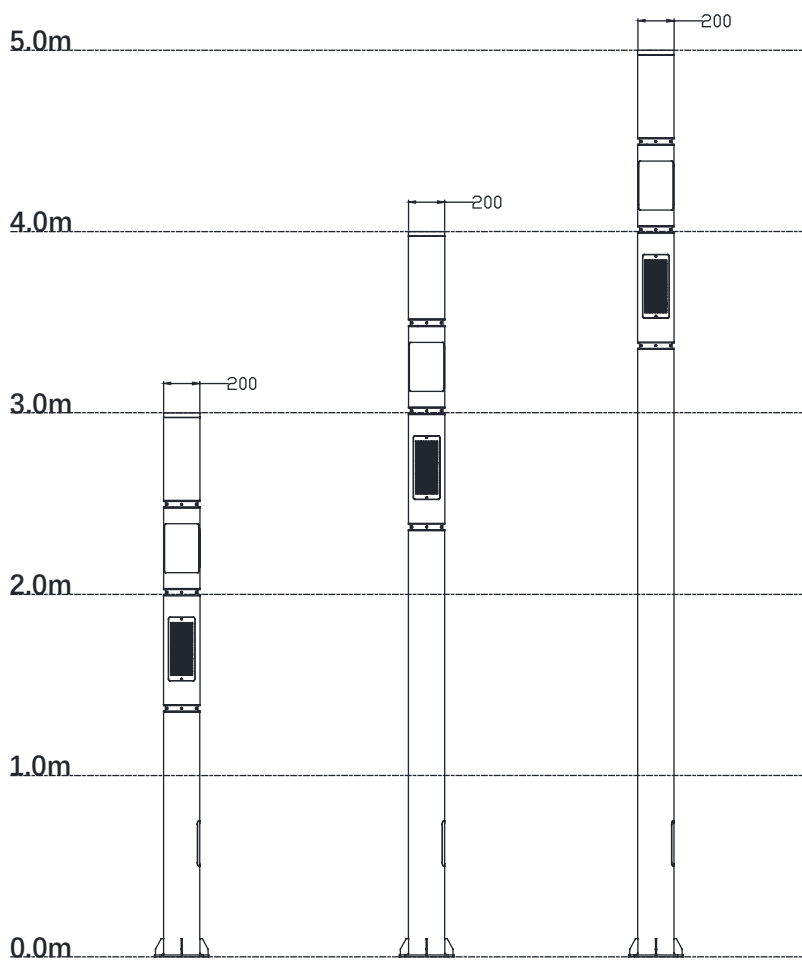


9004

9006

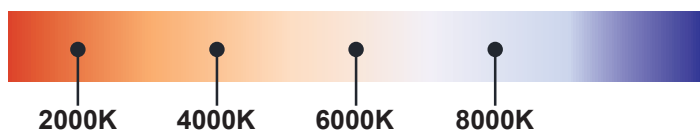
9007

9016



DM-YG23a

Color temperature



G49



Rated power	额定功率	30W~60W	Power Factor	功率因素	> 0.9
LED Quantity	LED 数量	30-60pcs	Life	使用寿命	> 50000H
Color Temperature	色温	6000k/4000k/3000k	THD	总谐波失真	< 15%
Luminous Flux	初始光通量	2700lm~5400lm	Frequency Range	频率范围	50/60HZ
Input Voltage	输入电压	AC220~240V	Installation Pipe Diameter	安装管径	/
Protection Grade	防护等级	IP65	CRI	显色指数	> 90
Operating Temperature	工作环境温度	-30~50°C			

DM-YG23a

Standard colours



9004

9006

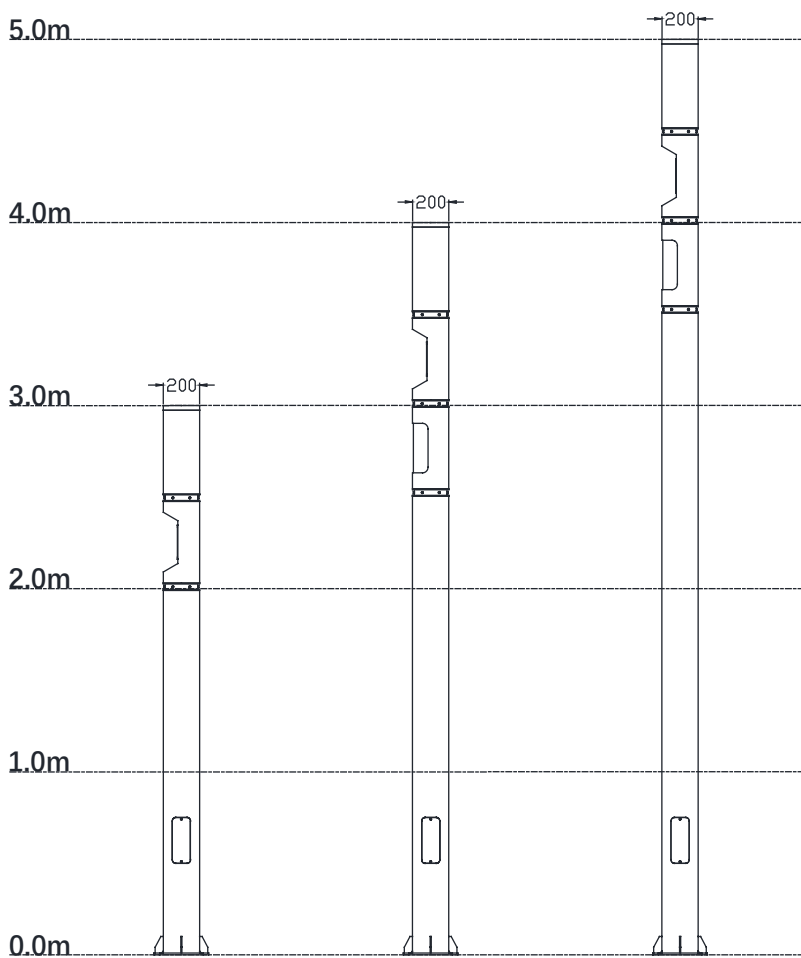
9007

9016

IP65

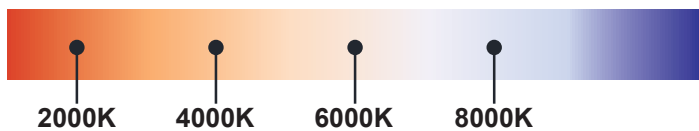


庭院灯 GARDEN LIGHT



DM-YG24a

Color temperature



G51

中山市灯鸣照明科技有限公司



Rated power	额定功率	30W~60W	Power Factor	功率因素	> 0.9
LED Quantity	LED 数量	30-60pcs	Life	使用寿命	> 50000H
Color Temperature	色温	6000k/4000k/3000k	THD	总谐波失真	< 15%
Luminous Flux	初始光通量	2700lm~5400lm	Frequency Range	频率范围	50/60HZ
Input Voltage	输入电压	AC220~240V	Installation Pipe Diameter	安装管径	/
Protection Grade	防护等级	IP65	CRI	显色指数	> 90
Operating Temperature	工作环境温度	-30~50°C			

DM-YG24a

Standard colours



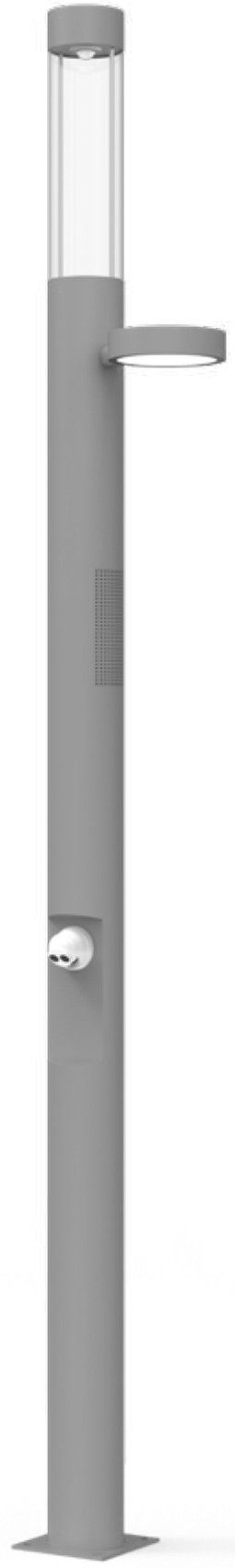
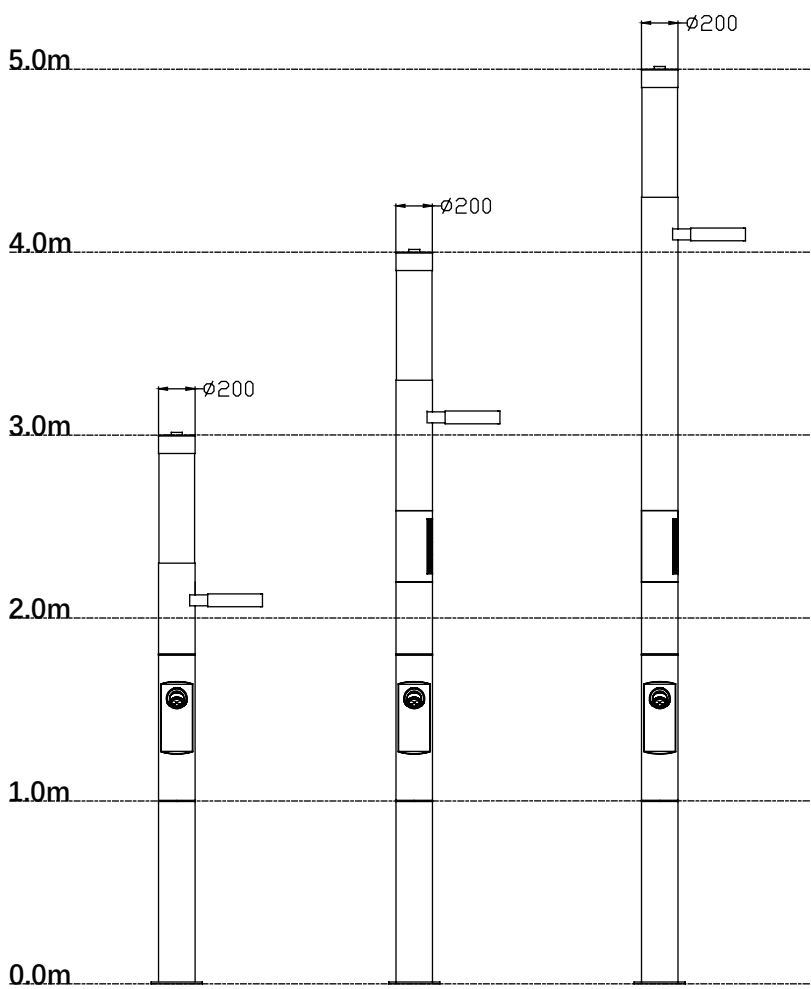
9004

9006

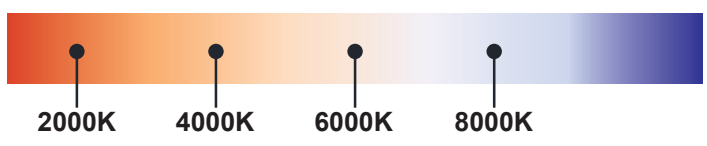
9007

9016

DM-YG25a



Color temperature





Rated power	额定功率	30W~60W	Power Factor	功率因素	> 0.9
LED Quantity	LED 数量	30-60pcs	Life	使用寿命	> 50000H
Color Temperature	色温	6000k/4000k/3000k	THD	总谐波失真	< 15%
Luminous Flux	初始光通量	2700lm~5400lm	Frequency Range	频率范围	50/60HZ
Input Voltage	输入电压	AC220~240V	Installation Pipe Diameter	安装管径	/
Protection Grade	防护等级	IP65	CRI	显色指数	> 90
Operating Temperature	工作环境温度	-30~50°C			

DM-YG25a

Standard colours

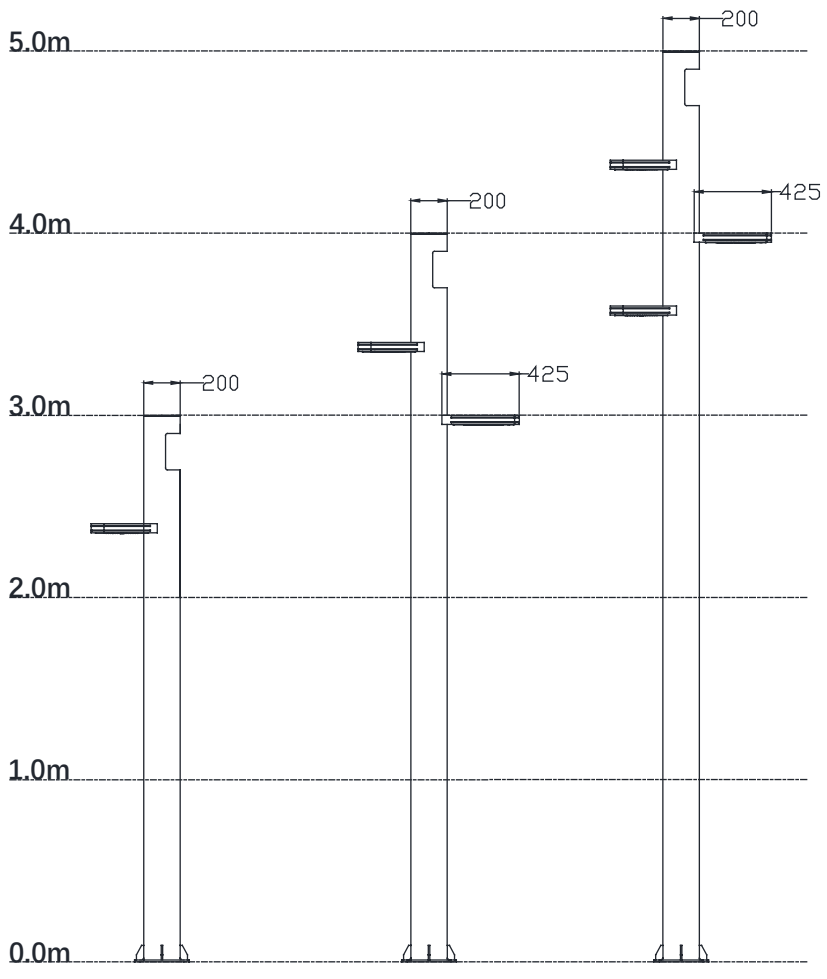
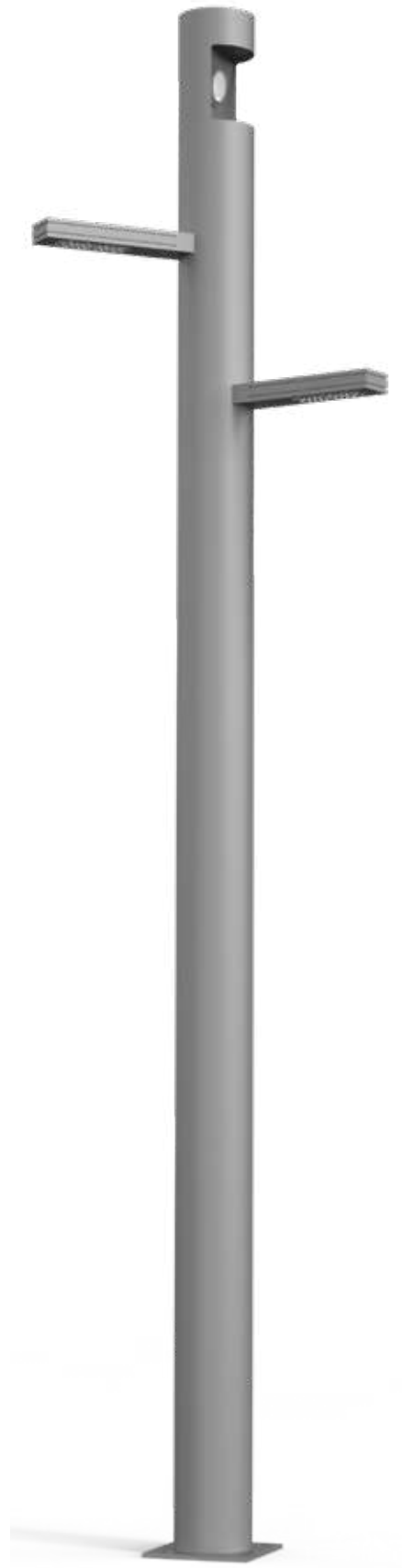


9004

9006

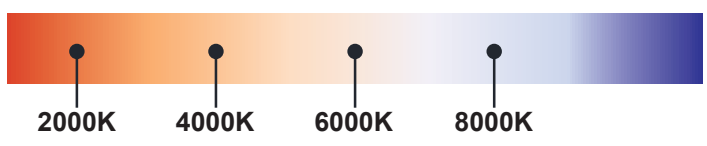
9007

9016



DM-YG26a

Color temperature



G55



Rated power	额定功率	30W~60W	Power Factor	功率因素	> 0.9
LED Quantity	LED 数量	30-60pcs	Life	使用寿命	> 50000H
Color Temperature	色温	6000k/4000k/3000k	THD	总谐波失真	< 15%
Luminous Flux	初始光通量	2700lm~5400lm	Frequency Range	频率范围	50/60HZ
Input Voltage	输入电压	AC220~240V	Installation Pipe Diameter	安装管径	/
Protection Grade	防护等级	IP65	CRI	显色指数	> 90
Operating Temperature	工作环境温度	-30~50℃			

DM-YG26a

Standard colours

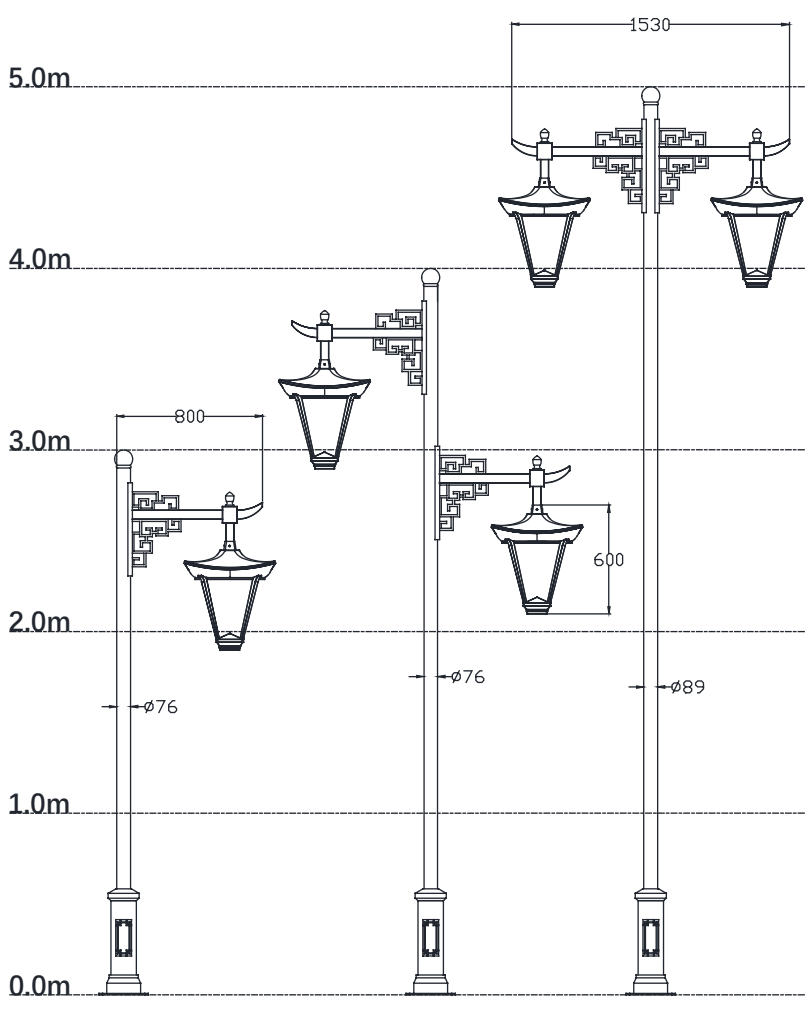


9004

9006

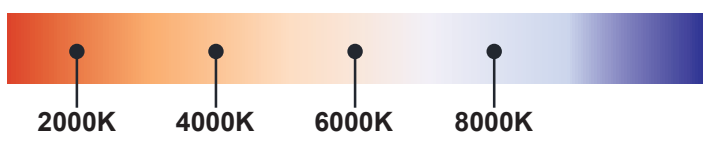
9007

9016



DM-HN1a

Colo(u)r temperature



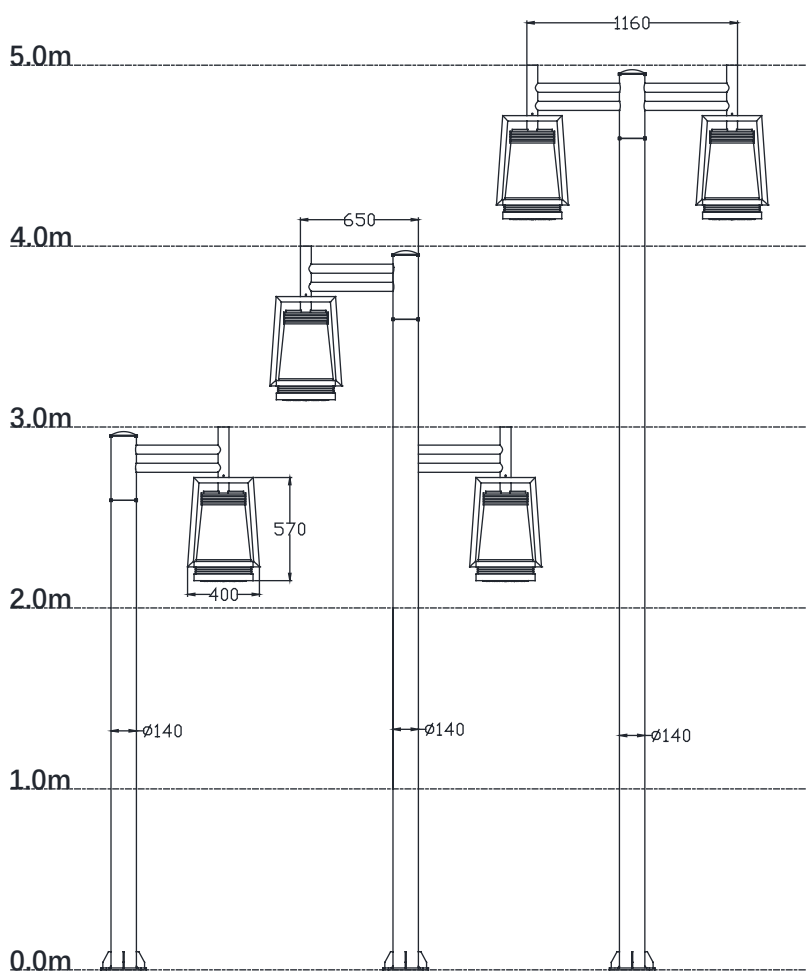


Rated power	30W~60W	Power Factor	> 0.9
LED Quantity	30-60pcs	Life	> 50000H
Color Temperature	6000k/4000k/3000k	THD	< 15%
Luminous Flux	2700lm~5400lm	Frequency Range	50/60HZ
Input Voltage	AC220~240V	Installation Pipe Diameter	/
Protection Grade	IP65	CRI	> 90
Operating Temperature	-30~50°C		

DM-HN1a

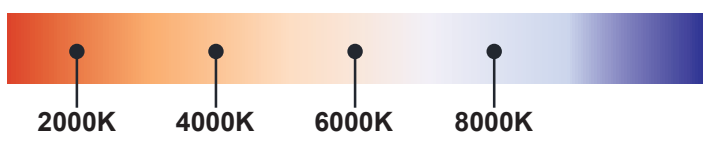
Standard colours





DM-HN2a

Colo(u)r temperature

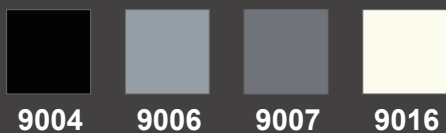


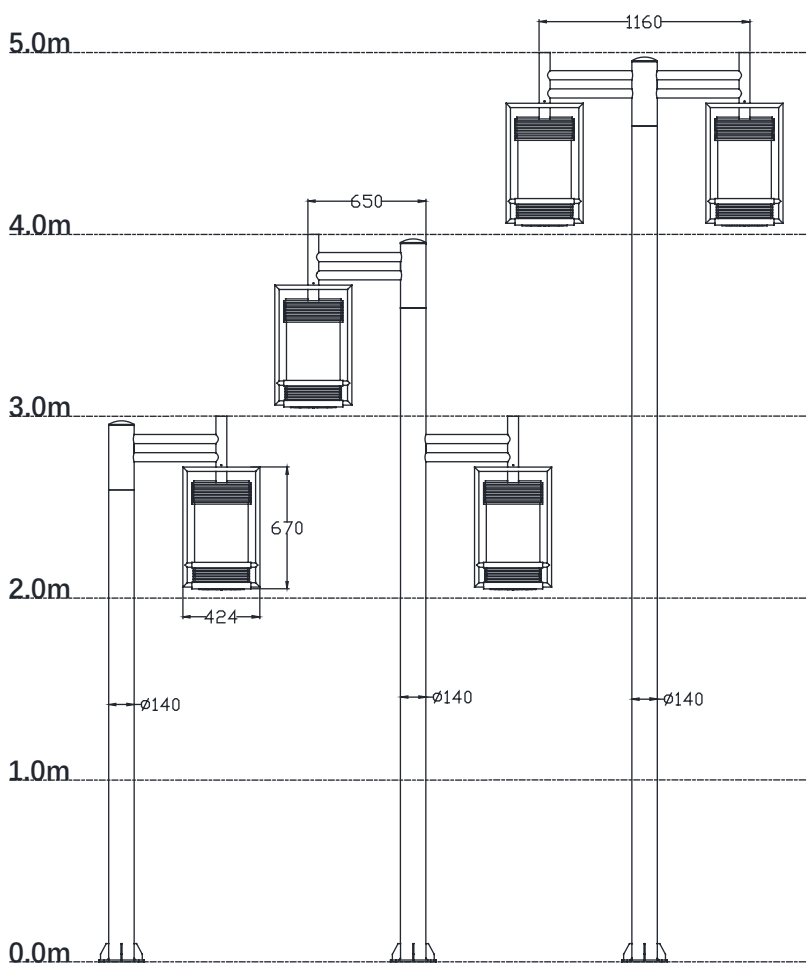


Rated power	30W~60W	Power Factor	> 0.9
LED Quantity	30-60pcs	Life	> 50000H
Color Temperature	6000k/4000k/3000k	THD	< 15%
Luminous Flux	2700lm~5400lm	Frequency Range	50/60HZ
Input Voltage	AC220~240V	Installation Pipe Diameter	/
Protection Grade	IP65	CRI	> 90
Operating Temperature	-30~50°C		

DM-HN2a

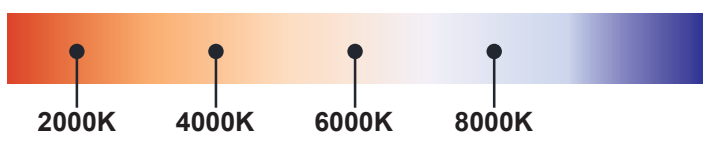
Standard colours





DM-HN2b

Colo(u)r temperature

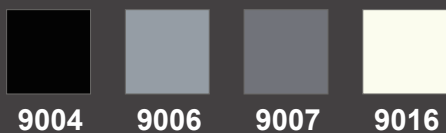




Rated power	30W~60W	Power Factor	> 0.9
LED Quantity	30-60pcs	Life	> 50000H
Color Temperature	6000k/4000k/3000k	THD	< 15%
Luminous Flux	2700lm~5400lm	Frequency Range	50/60HZ
Input Voltage	AC220~240V	Installation Pipe Diameter	/
Protection Grade	IP65	CRI	> 90
Operating Temperature	-30~50°C		

DM-HN2b

Standard colours

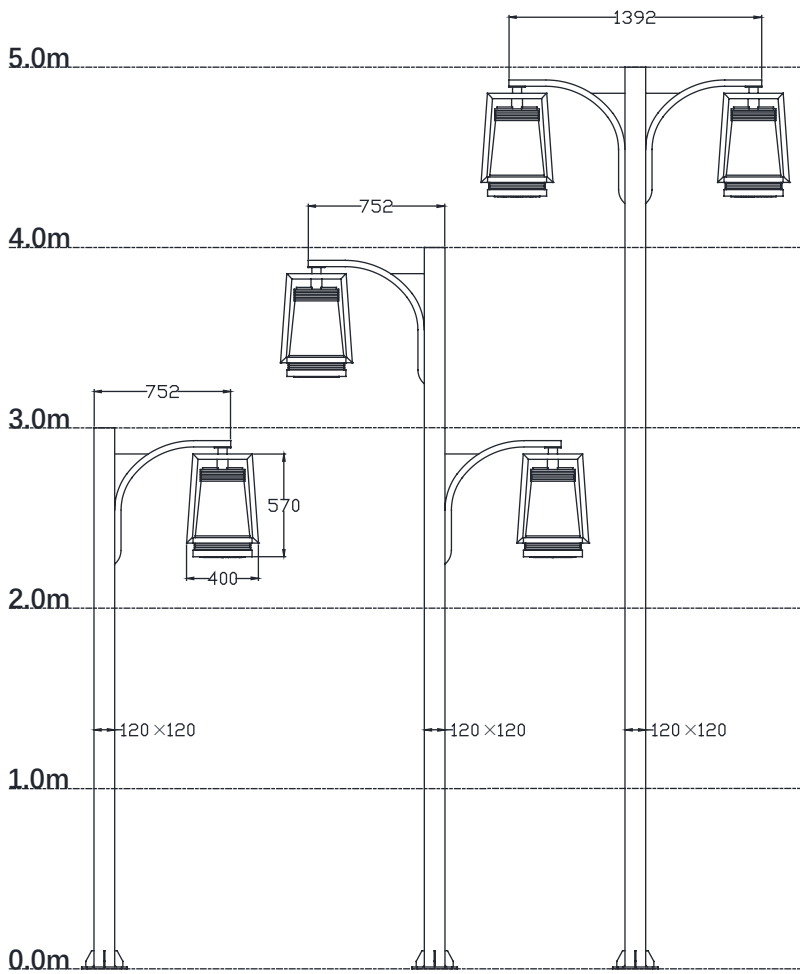
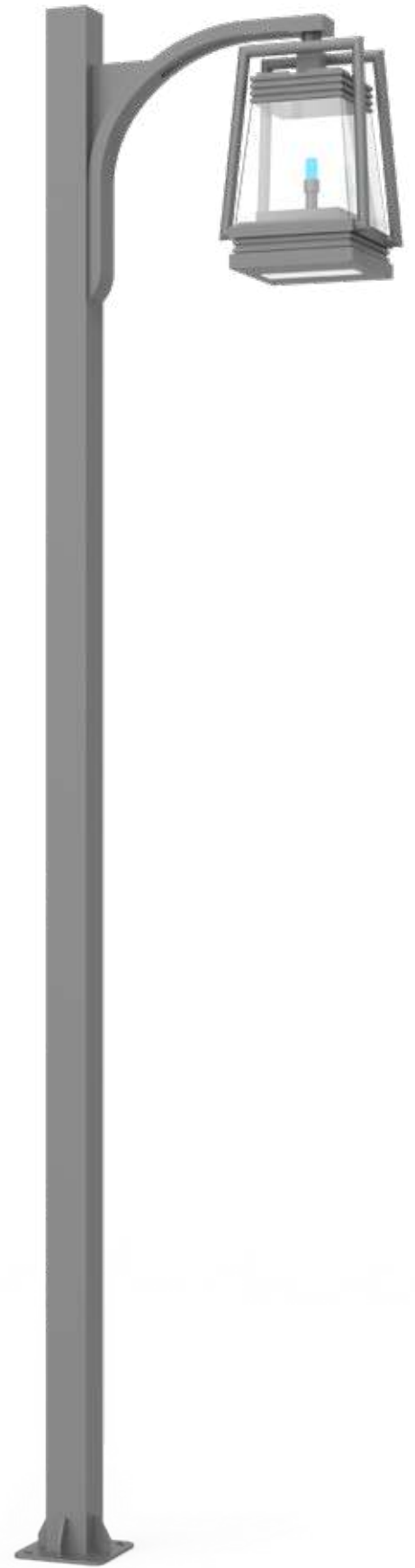


9004

9006

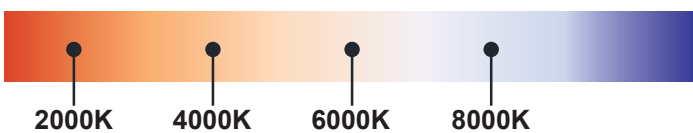
9007

9016



DM-HN2c

Colo(u)r temperature



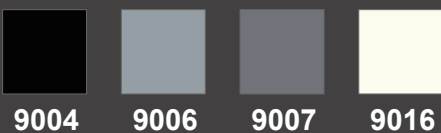
H7

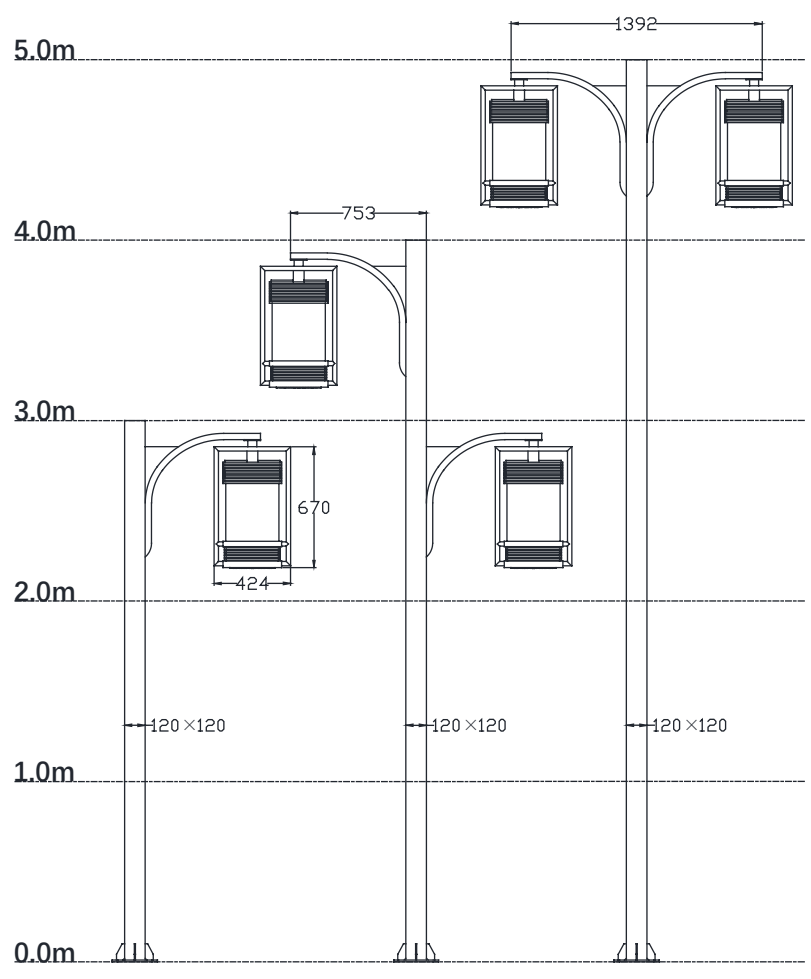
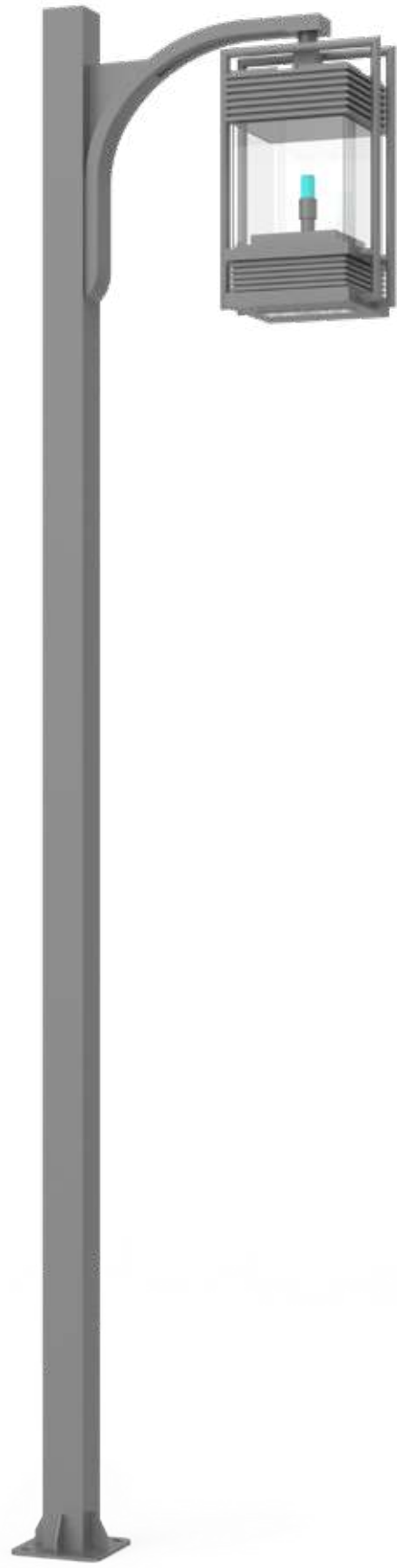


Rated power	30W~60W	Power Factor	> 0.9
LED Quantity	30-60pcs	Life	> 50000H
Color Temperature	6000k/4000k/3000k	THD	< 15%
Luminous Flux	2700lm~5400lm	Frequency Range	50/60HZ
Input Voltage	AC220~240V	Installation Pipe Diameter	/
Protection Grade	IP65	CRI	> 90
Operating Temperature	-30~50°C		

DM-HN2C

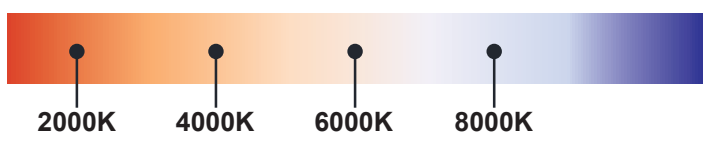
Standard colours





DM-HN2d

Colo(u)r temperature



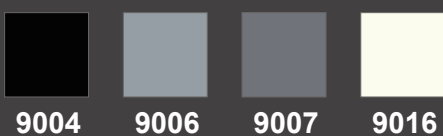
H9

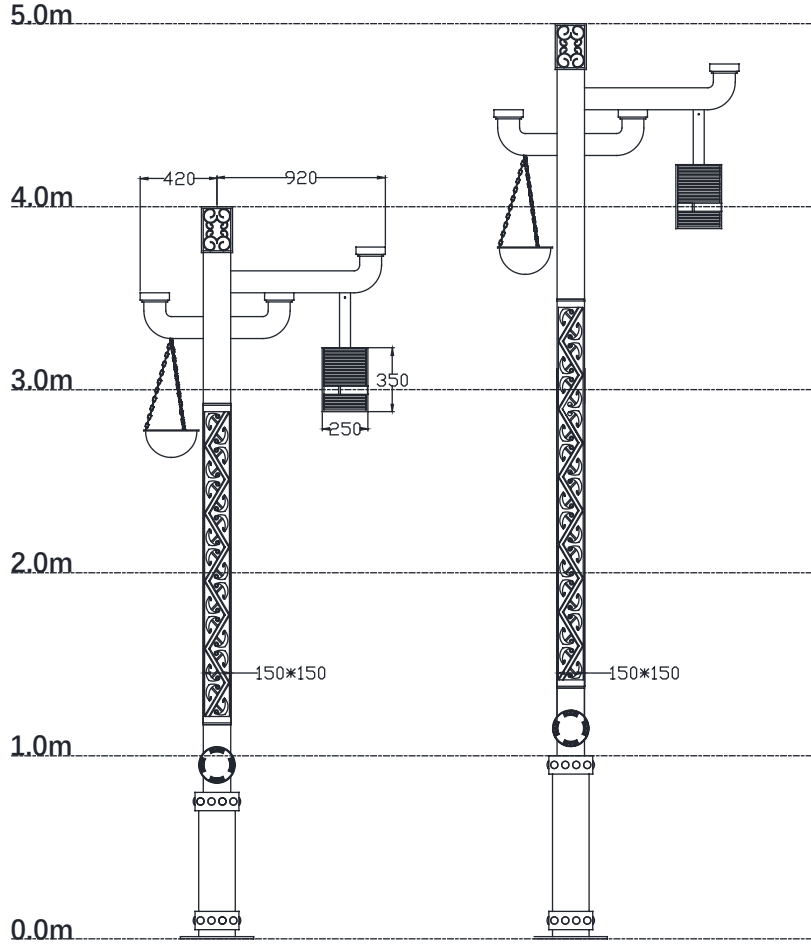
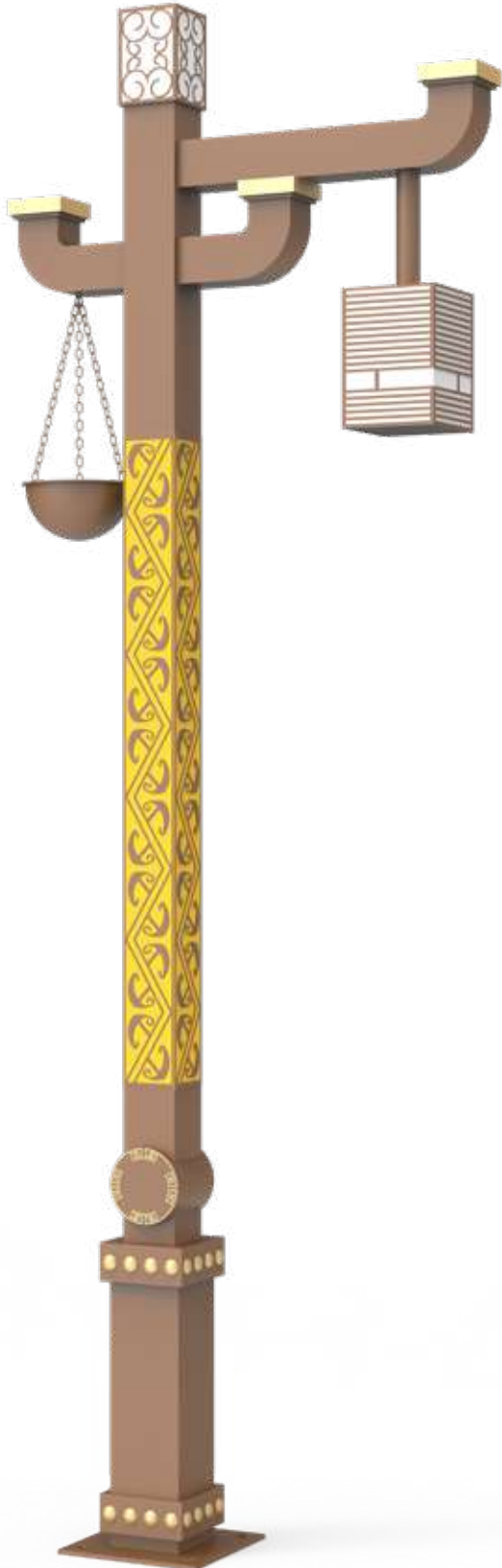


Rated power	30W~60W	Power Factor	> 0.9
LED Quantity	30-60pcs	Life	> 50000H
Color Temperature	6000k/4000k/3000k	THD	< 15%
Luminous Flux	2700lm~5400lm	Frequency Range	50/60HZ
Input Voltage	AC220~240V	Installation Pipe Diameter	/
Protection Grade	IP65	CRI	> 90
Operating Temperature	-30~50°C		

DM-HN2d

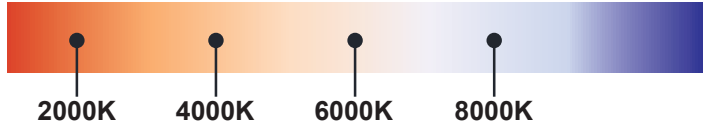
Standard colours





DM-HN3a

Colo(u)r temperature



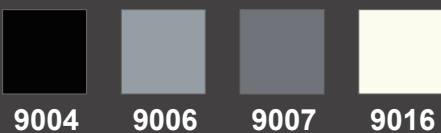
H11



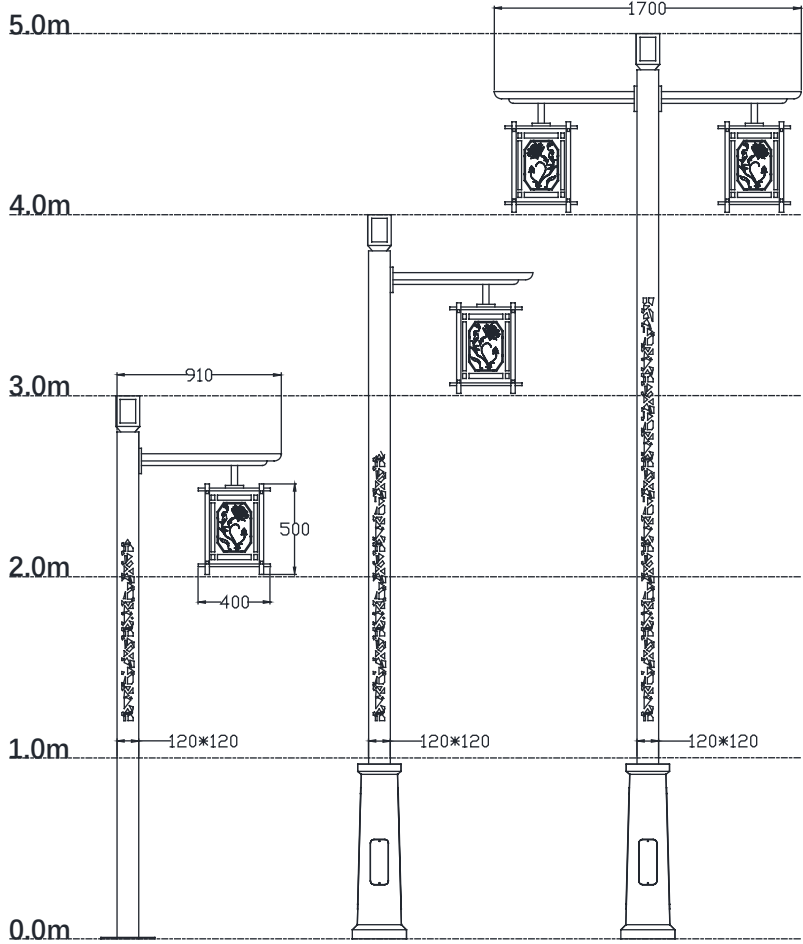
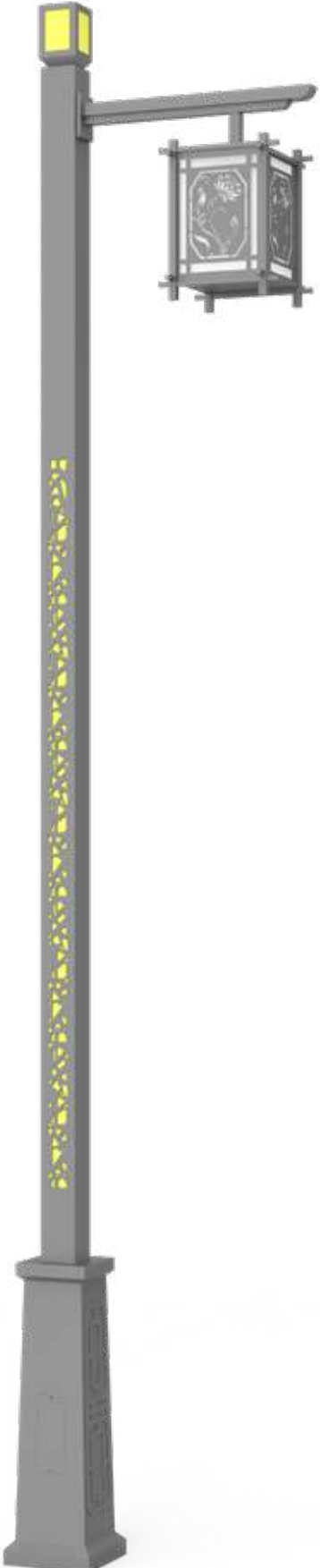
Rated power	30W~60W	Power Factor	> 0.9
LED Quantity	30-60pcs	Life	> 50000H
Color Temperature	6000k/4000k/3000k	THD	< 15%
Luminous Flux	2700lm~5400lm	Frequency Range	50/60HZ
Input Voltage	AC220~240V	Installation Pipe Diameter	/
Protection Grade	IP65	CRI	> 90
Operating Temperature	-30~50°C		

DM-HN3a

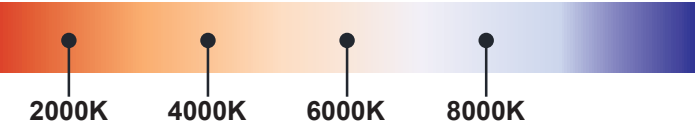
Standard colours



DM-HN4a



Colo(u)r temperature





Rated power	30W~60W	Power Factor	> 0.9
LED Quantity	30-60pcs	Life	> 50000H
Color Temperature	6000k/4000k/3000k	THD	< 15%
Luminous Flux	2700lm~5400lm	Frequency Range	50/60HZ
Input Voltage	AC220~240V	Installation Pipe Diameter	/
Protection Grade	IP65	CRI	> 90
Operating Temperature	-30~50°C		

DM-HN4a

Standard colours



9004



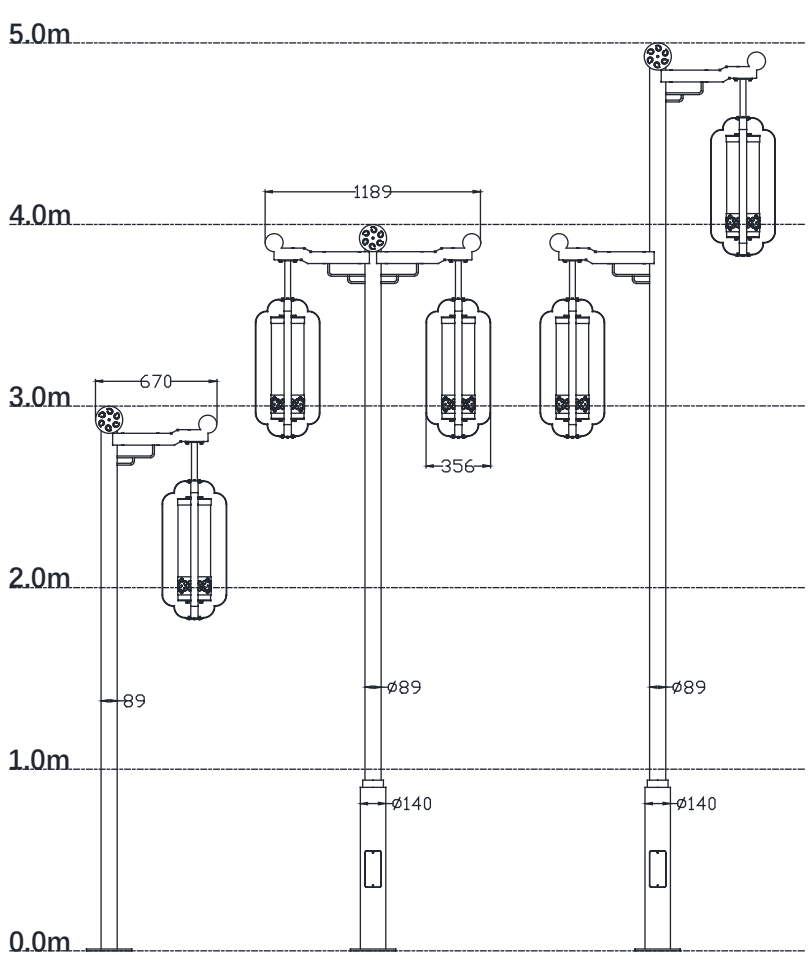
9006



9007

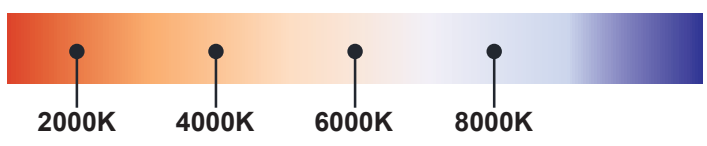


9016



DM-HN5a

Colo(u)r temperature





Rated power	30W~60W	Power Factor	> 0.9
LED Quantity	30-60pcs	Life	> 50000H
Color Temperature	6000k/4000k/3000k	THD	< 15%
Luminous Flux	2700lm~5400lm	Frequency Range	50/60HZ
Input Voltage	AC220~240V	Installation Pipe Diameter	/
Protection Grade	IP65	CRI	> 90
Operating Temperature	-30~50°C		

DM-HN5a

Standard colours



9004



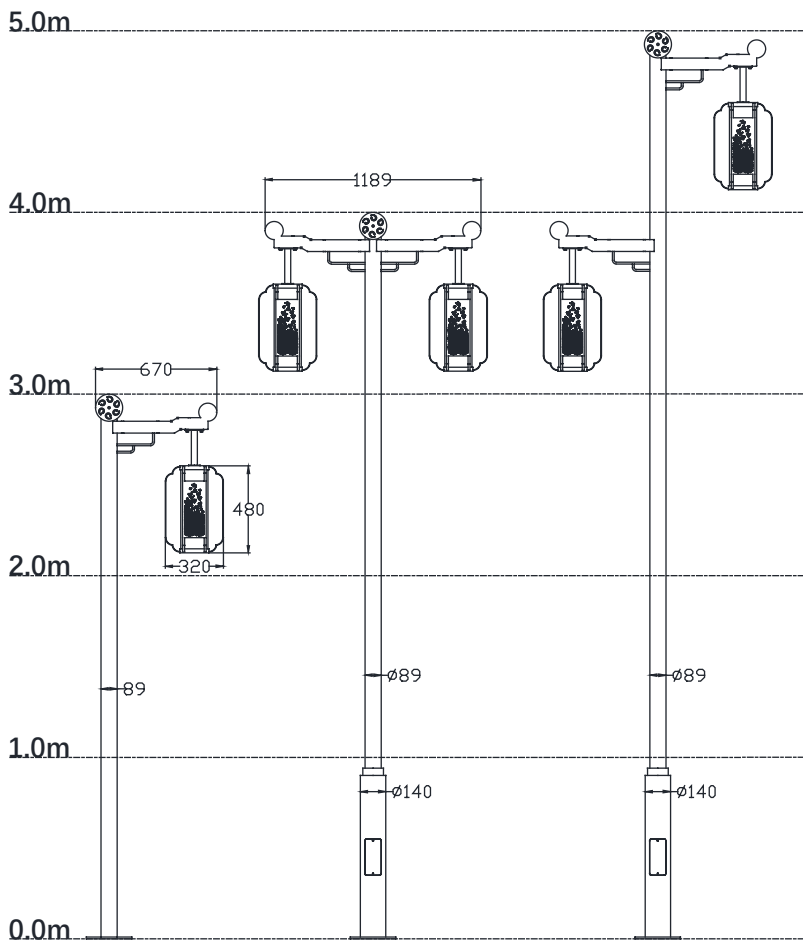
9006



9007

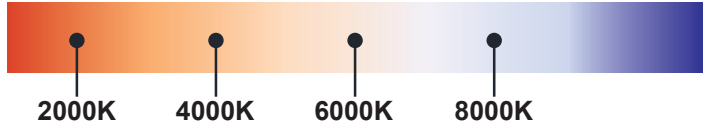


9016



DM-HN6a

Colo(u)r temperature

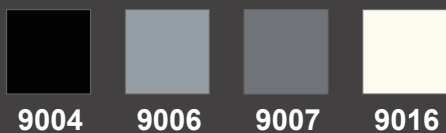




Rated power	30W~60W	Power Factor	> 0.9
LED Quantity	30-60pcs	Life	> 50000H
Color Temperature	6000k/4000k/3000k	THD	< 15%
Luminous Flux	2700lm~5400lm	Frequency Range	50/60HZ
Input Voltage	AC220~240V	Installation Pipe Diameter	/
Protection Grade	IP65	CRI	> 90
Operating Temperature	-30~50°C		

DM-HN6a

Standard colours

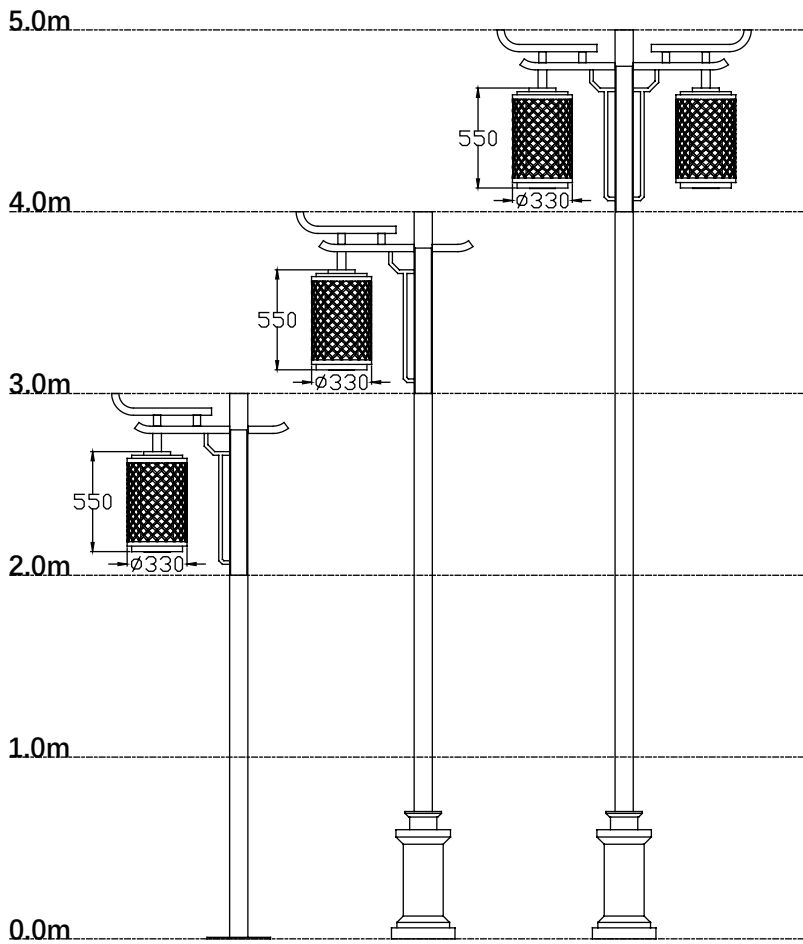
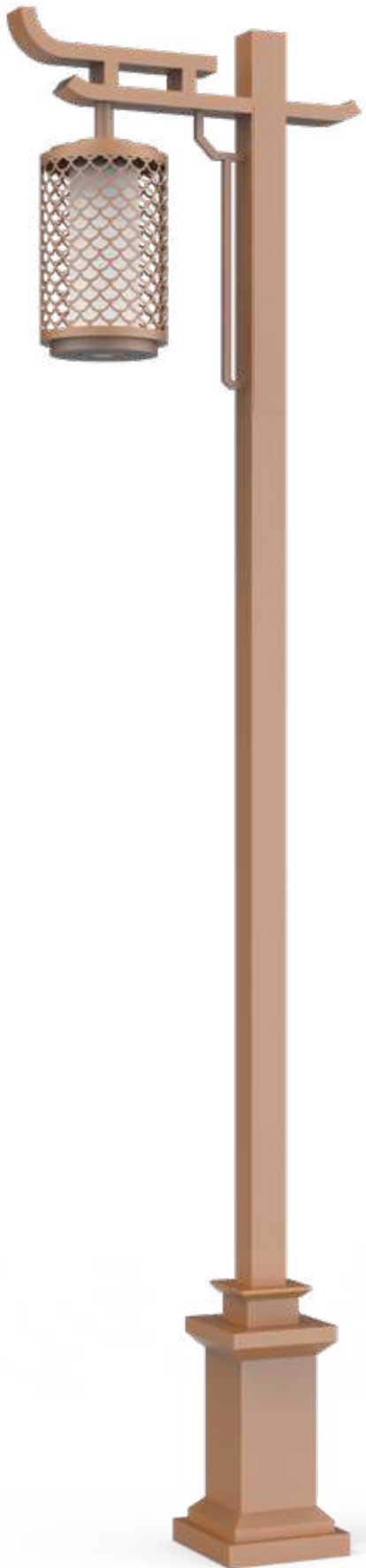


9004

9006

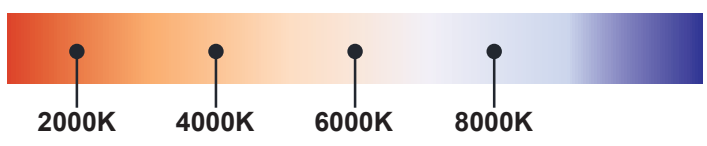
9007

9016



DM-HN7a

Colo(u)r temperature





Rated power	30W~60W	Power Factor	> 0.9
LED Quantity	30-60pcs	Life	> 50000H
Color Temperature	6000k/4000k/3000k	THD	< 15%
Luminous Flux	2700lm~5400lm	Frequency Range	50/60HZ
Input Voltage	AC220~240V	Installation Pipe Diameter	/
Protection Grade	IP65	CRI	> 90
Operating Temperature	-30~50°C		

DM-HN7a

Standard colours



9004



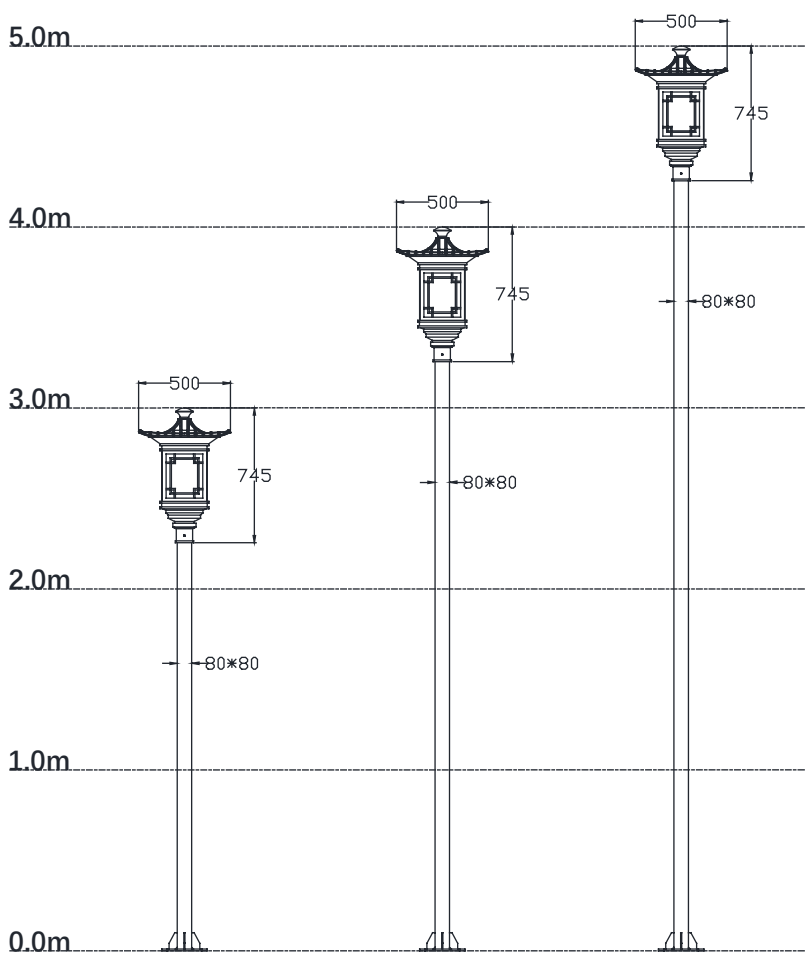
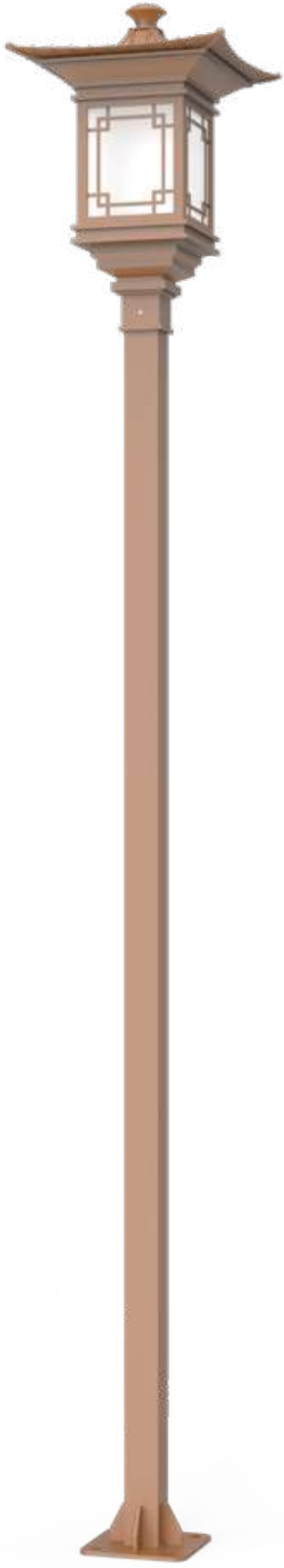
9006



9007

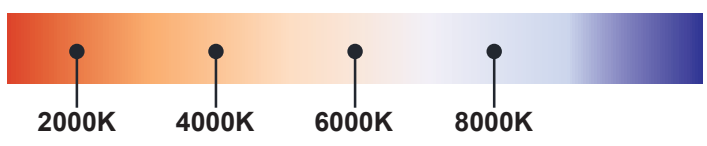


9016



DM-HN8a

Colo(u)r temperature



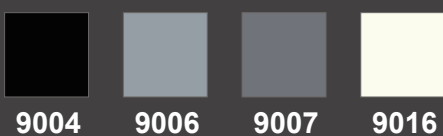
H21



Rated power	30W~60W	Power Factor	> 0.9
LED Quantity	30-60pcs	Life	> 50000H
Color Temperature	6000k/4000k/3000k	THD	< 15%
Luminous Flux	2700lm~5400lm	Frequency Range	50/60HZ
Input Voltage	AC220~240V	Installation Pipe Diameter	/
Protection Grade	IP65	CRI	> 90
Operating Temperature	-30~50°C		

DM-HN8a

Standard colours



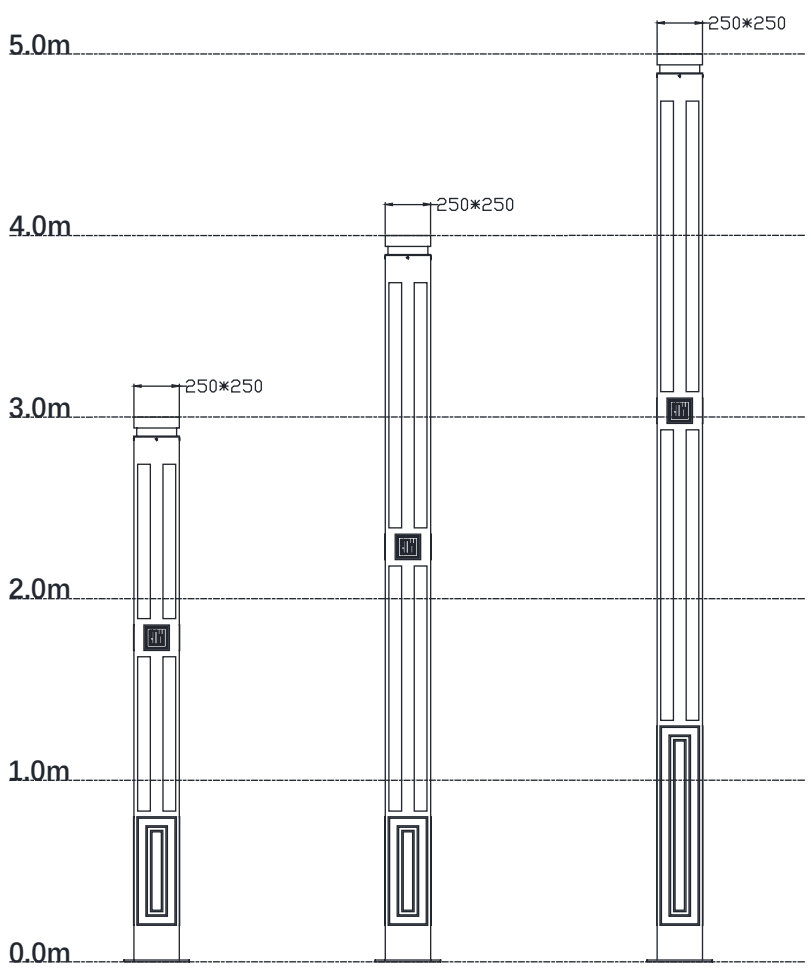
9004

9006

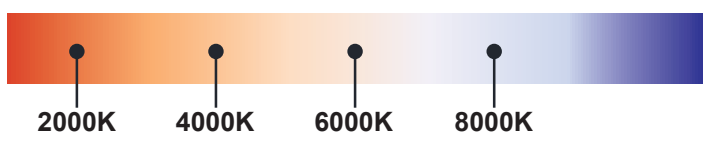
9007

9016

DM-HN9a



Colo(u)r temperature

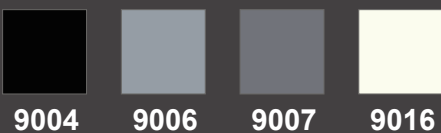




Rated power	30W~60W	Power Factor	> 0.9
LED Quantity	30-60pcs	Life	> 50000H
Color Temperature	6000k/4000k/3000k	THD	< 15%
Luminous Flux	2700lm~5400lm	Frequency Range	50/60HZ
Input Voltage	AC220~240V	Installation Pipe Diameter	/
Protection Grade	IP65	CRI	> 90
Operating Temperature	-30~50°C		

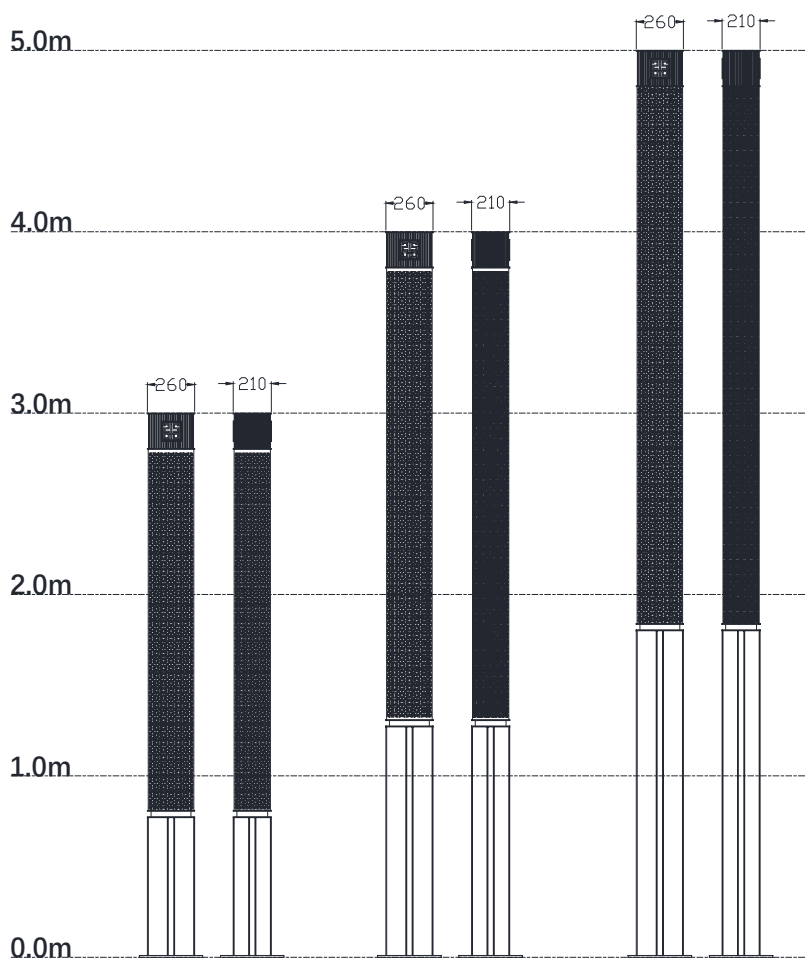
DM-HN9a

Standard colours

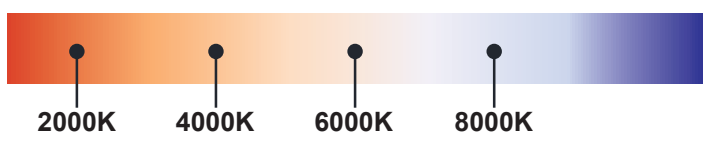


9004 9006 9007 9016

DM-HN10a



Colo(u)r temperature

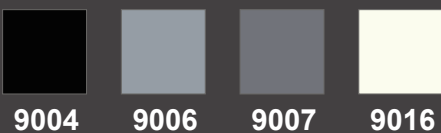


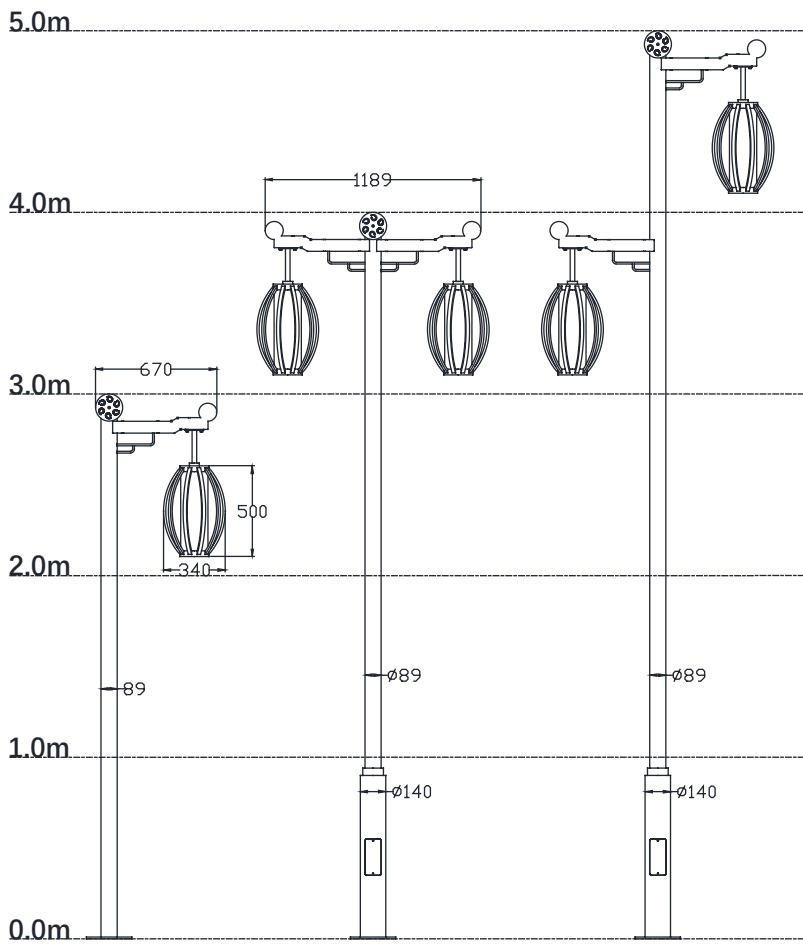


Rated power	30W~60W	Power Factor	> 0.9
LED Quantity	30-60pcs	Life	> 50000H
Color Temperature	6000k/4000k/3000k	THD	< 15%
Luminous Flux	2700lm~5400lm	Frequency Range	50/60HZ
Input Voltage	AC220~240V	Installation Pipe Diameter	/
Protection Grade	IP65	CRI	> 90
Operating Temperature	-30~50°C		

DM-HN10a

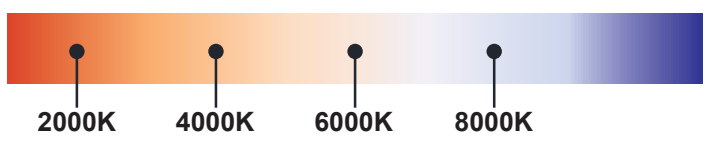
Standard colours





DM-HN11a

Colo(u)r temperature

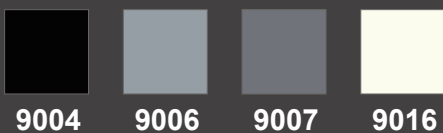


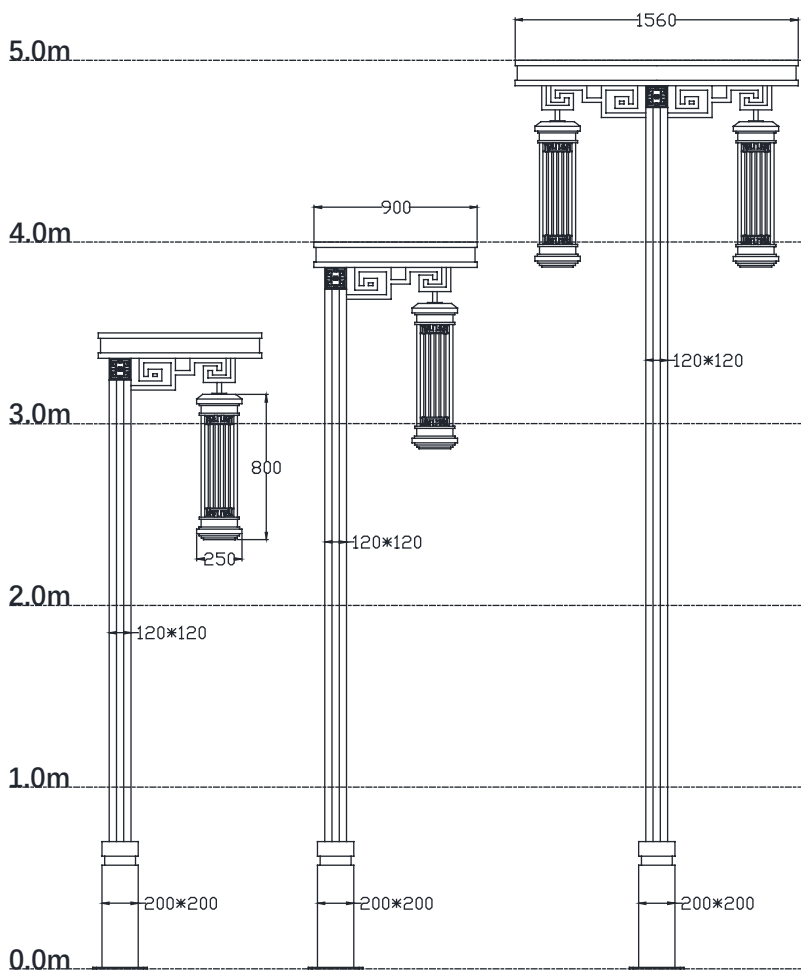
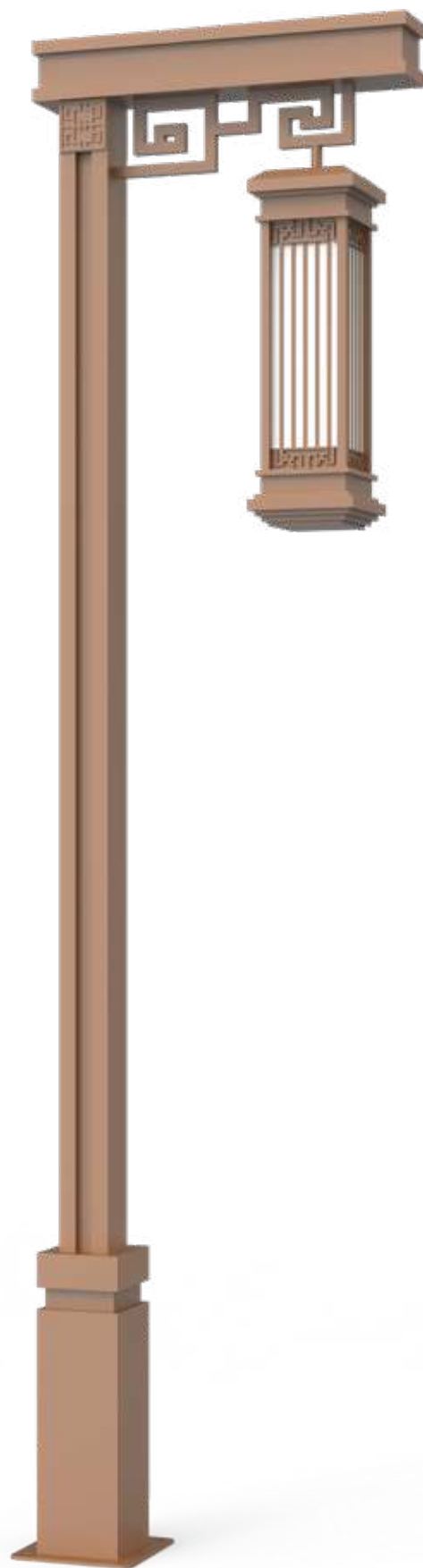


Rated power	30W~60W	Power Factor	> 0.9
LED Quantity	30-60pcs	Life	> 50000H
Color Temperature	6000k/4000k/3000k	THD	< 15%
Luminous Flux	2700lm~5400lm	Frequency Range	50/60HZ
Input Voltage	AC220~240V	Installation Pipe Diameter	/
Protection Grade	IP65	CRI	> 90
Operating Temperature	-30~50°C		

DM-HN11a

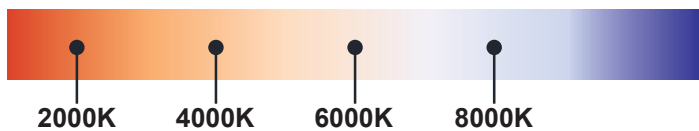
Standard colours





DM-HN12a

Colo(u)r temperature

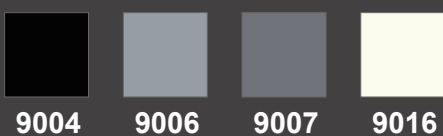


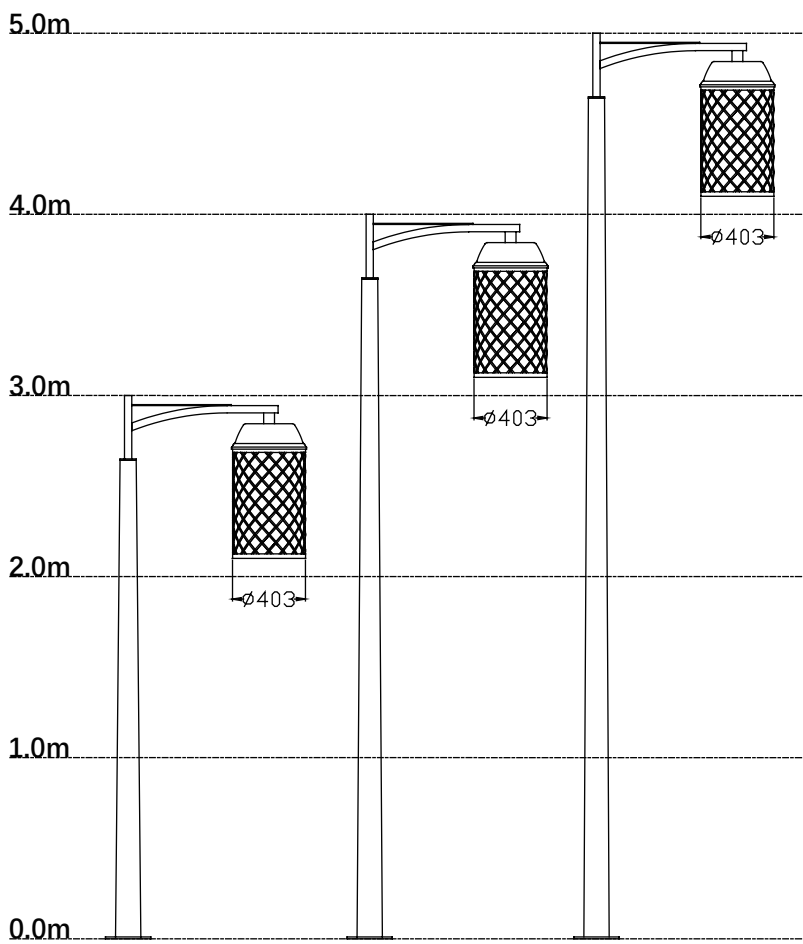


Rated power	30W~60W	Power Factor	> 0.9
LED Quantity	30-60pcs	Life	> 50000H
Color Temperature	6000k/4000k/3000k	THD	< 15%
Luminous Flux	2700lm~5400lm	Frequency Range	50/60HZ
Input Voltage	AC220~240V	Installation Pipe Diameter	/
Protection Grade	IP65	CRI	> 90
Operating Temperature	-30~50°C		

DM-HN12a

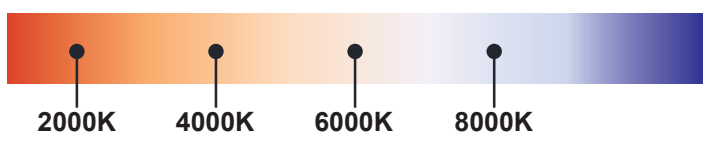
Standard colours





DM-HN13a

Colo(u)r temperature





Rated power	30W~60W	Power Factor	> 0.9
LED Quantity	30-60pcs	Life	> 50000H
Color Temperature	6000k/4000k/3000k	THD	< 15%
Luminous Flux	2700lm~5400lm	Frequency Range	50/60HZ
Input Voltage	AC220~240V	Installation Pipe Diameter	/
Protection Grade	IP65	CRI	> 90
Operating Temperature	-30~50°C		

DM-HN13a

Standard colours

