

DUO Collection

design by
Roberto Lazzeroni



CECCOTTICOLLEZIONI



CECCOTTICOLLEZIONI



DUO Collection

Main Index

62	DUO Bench	110	DUO Mirror
88	DUO Bookcase	76	DUO Pedestal Table
92	DUO Cabinet	114	DUO Rug
66	DUO Chair/Small armchair	118	DUO Screen
100	DUO Console	52	DUO Sofa
104	DUO Floor Mirror	80	DUO Table
106	DUO Lamp	84	DUO Trolley
46	DUO Lounge		
70	DUO Low Table	121	Translations and Technical Drawings

Armchairs, Sofas



46 DUO Lounge



52 DUO Sofa

Bookcases, Storage Units



88 DUO Bookcase



92 DUO Cabinet



100 DUO Console

Chairs, Small Armchairs, Stools



62 DUO Bench



66 DUO Chair/Small armchair

Complementary Units, Accessories



104 DUO Floor Mirror



106 DUO Lamp



110 DUO Mirror



114 Duo Rug

Tables, Small Tables, Desks



70 DUO Low Table



76 Duo Pedestal Table



80 DUO Table



84 DUO Trolley



118 DUO Screen

DUO Collection

The collection designed by Roberto Lazzeroni is the first chapter of the collaboration between the two Made in Italy excellences. The design synergy between Poltrona Frau and Ceccotti Collezioni is expressed by a range of products that encapsulates both their rich heritage and a shared creative vision toward the future.

The DUO Collection takes its name from the concept of union of two separate elements. Not simply the sum two individuals, it represents "two experiences that generate a common thought." In Duo, individuality does not lose its identity; it is enhanced in the shared creative act.

The collection develops from two seemingly opposite concepts, Memory and Innovation. The two paths, one enhancing the past and one projected to new contemporary horizons, find their meeting point in a line of timeless, universal objects of minimalist elegance.

The atmosphere that inspired the development of the DUO Collection is the Italian Dolce Vita, evocative of a carefree lifestyle that is naturally elegant and inclined to the pleasure of social interaction. The products are designed to furnish a romantic and cozy living room, inspired by the Italian "salotti" of the fifties, a period of rebirth and post-war intellectual and creative buzz. Silhouettes with a retro flair that capture the zeitgeist of the past, yet perfectly adaptable to contemporary contexts thanks to the versatile soft shapes, accurate proportions, and high-quality material finishes.







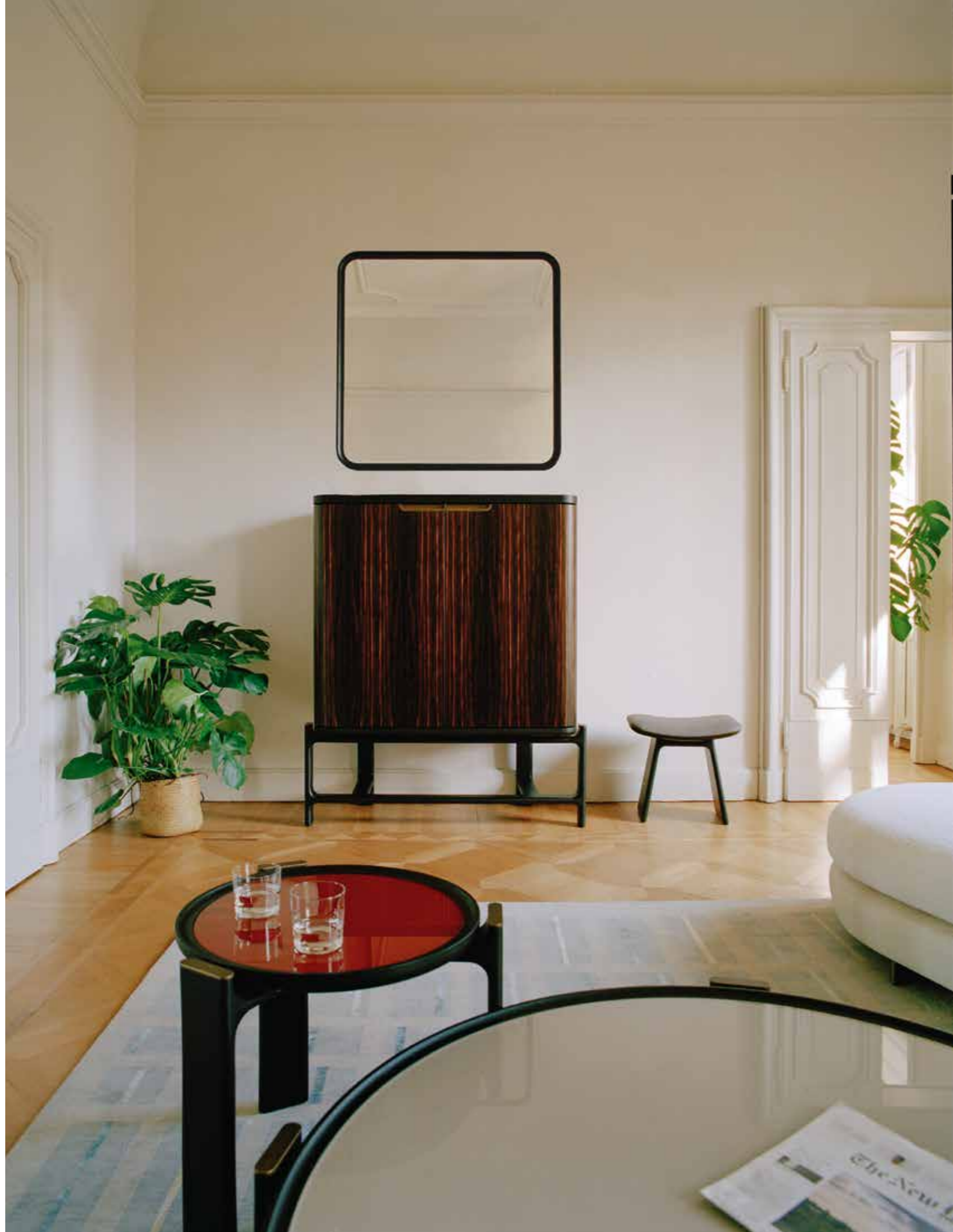


↑ DUO Trolley, bronzed glass upper top, coloured glass NCS S 3005Y50R Tortora lower top, with ash in a Wenge stain structure

↗ DUO Console, top coloured glass NCS S 4005G20Y Celadon with ash in a Wenge stain structure







↑ DUO High Cabinet, 2 doors in ebony with ash in a Wenge stain structure



↑ DUO Low Table, Ash in a Wenge stain structure.
Low table H 50 with coloured glass top
NCS S5040Y80R Rosso Cina



↑ ↗ DUO Low Table, Ash in a Wenge stain structure.
Low table H 36 with coloured glass top
NCS S3005Y50R Tortora



↑ DUO Bookcase, Top in coloured glass NCS S 3502Y Grigio with ash in a Wenge stain structure

↗ DUO Lounge, armchair upholstered in Ziggy fabric col. Red Onion with ash in a Wenge stain structure



↑ DUO Pedestal Table, Top in Calacatta marble with ash in a Wenge stain structure.

↑ DUO Lamp in ash in a Wenge stain structure



↑ DUO Bench Pelle Frau® Velvety Gray Salt with ash in a Wenge stain structure

↑ DUO Bench fabric Ziggy Red Onion with ash in a Wenge stain structure



↑ DUO Lounge, armchair Pelle Frau® SC 177 Limo with ash in a Wenge stain structure

↑ DUO Lounge, armchair upholstered in Mollis fabric col.1A Milk with ash in a Wenge stain structure





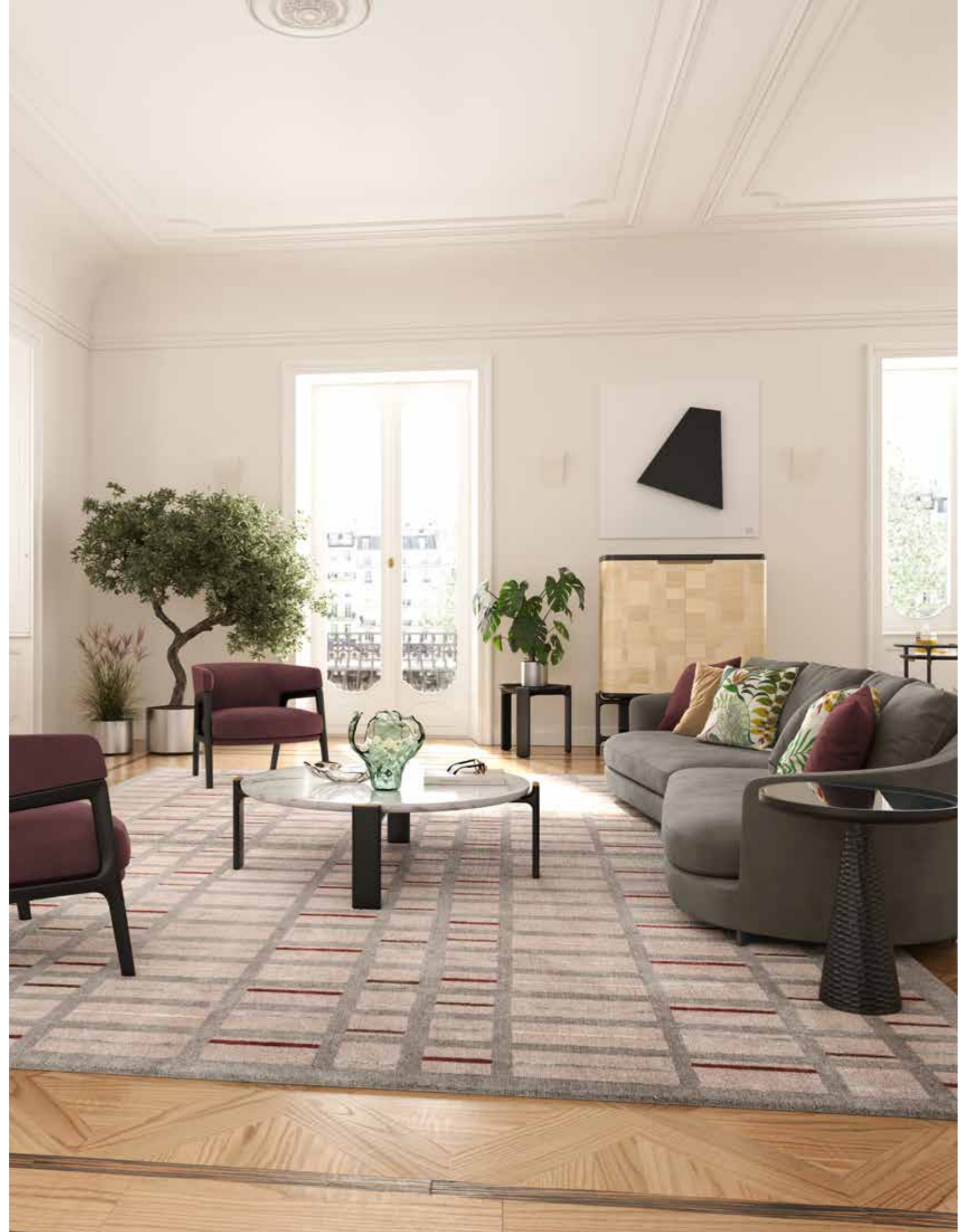
↖ ↑ DUO Sofa, Pelle Frau® Velvety Gray Salt
DUO Small table, ash in a wenge stain structure





↑ DUO Low Cabinet, doors in inlaid maple with ash in a Wenge stain structure
DUO Mirror 113×113, ash in a Wenge stain

↗ DUO Lounge, Pelle Frau® Velvety Lavender with ash in a Wenge stain structure; DUO Sofa, Pelle Frau® Velvety Gray Salt; DUO Low table, Top in Total Calacatta marble with ash in a Wenge stain structure; DUO Pedestal table, coloured glass with ash in a wenge stain structure







↖ ↑ DUO chair, Pelle Frau® SC 32 Caolino with ash in a Wenge stain structure
DUO table 250×110 cm, Calacatta marble with ash in a Wenge stain structure



↑ DUO High Cabinet, doors in inlaid maple with ash in a Wenge stain structure



↑ DUO Trolley, bronzed glass upper top, Calacatta marble lower top, with ash in a Wenge stain structure



↑ DUO Bench Pelle Frau® Nest Pietra di Sole with ash in a Wenge stain structure







↖ ↑ DUO table Ø180, Calacatta marble with ash
in a Wenge stain structure
DUO small armchair, Pelle Frau® SC 136 Ginger
Bread with ash in a Wenge stain structure

Similarly, the armchair DUO Lounge features soft and generous yet light lines thanks to the visible solid ash wood frame that visually winds along the sides to form the legs, providing a contrast of volumes and textures.



↔ ↗ DUO Lounge, armchair upholstered in Pelle Frau® SC
177 Limo with ash in a Wenge stain structure

Roberto Lazzeroni
DUO Lounge



↑ DUO Lounge, armchair upholstered in Pelle Frau® SC 177 Limo with ash in a Wenge stain structure

↗ DUO Lounge, armchair upholstered in Mollis fabric col.1A Milk with ash in a Wenge stain structure





↖ DUO Lounge, armchair upholstered in Mollis fabric col.1A Milk with ash in a Wenge stain structure

↖ ↑ DUO Lounge, armchair upholstered in Ziggy fabric col. Red Onion with ash in a Wenge stain structure

The cozy and sinuous DUO Sofa is available as a single two-seater, a "large" two-seater, or in curved modules to form rounded configurations. All options are designed to encourage sociability and enjoy the pleasure of sharing.

The sofa is upholstered with either removable fabric or an elegant combination of leather and fabric. The sofa's soft lines are a nod to the romanticism of Art Deco, while its flexible plywood structure, the use of recyclable materials, and the production technology encapsulate its contemporary appeal.



↖ ↗ Duo Sofa 2-seater sofa upholstered in Ziggy fabric
col.2627 limon with round black feet

Roberto Lazzeroni
DUO Sofa



↑ ↗ Duo Sofa 2-seater sofa upholstered in Ziggy fabric
col.2627 limon with round black feet





↖ ↑ DUO Sofa, 3-seater sofa upholstered in Botè fabric col.13 Aubergine and back in Pelle Frau® SC 256 Ume with oval shaped feet in burnished and brushed aluminium



↑ DUO Sofa, composition upholstered in Mollis fabric col. 27B Fog with oval shaped feet in burnished and brushed aluminium



↖ ↑ DUO Sofa, composition upholstered in Mollis fabric col. 27B Fog with oval shaped feet in burnished and brushed aluminium

The Duo Bench is a versatile solution, perfect as a decorative element, like most benches it adapts to suit different needs. It can be used as a seat at the table or as a bench at the foot of the bed.

The large version features a wider seat, almost tripled in dimension compared to the previous model. The upholstery is available in leather or woven fabric. The structure, in solid ash wood stained Wengé or Moka, maintains its characteristic slightly curved shape to increase seating comfort.



↖ DUO Bench, upholstered in Pelle Frau® Velvety Paprika with ash in a wenge stain structure



↑ DUO Bench, (on the left side) upholstered in Pelle Frau® Velvety Gray Salt with ash in a Wenge stain structure

DUO Bench, (in the center) upholstered in Fabric Ziggy Red Onion with ash in a Wenge stain structure

Roberto Lazzeroni
DUO Bench



↖ DUO Bench, upholstered in Pelle Frau® SC 254
Steel Blue with ash in a Moka stain structure



↑ DUO Bench, upholstered in Pelle Frau® Velvety
Paprika with ash in a wenge stain structure

The DUO Chair has a padded seat with sinuous and enveloping lines. Everything about this chair exudes softness juxtaposed with charming playfulness: the inclined rear legs give momentum to the high-back chair or to the armchair which extends obliquely with two endearing 'ears'.

The convex seat plays with the slight concavity of the backrest, shifting the volumes. The plush padding, available completely covered in Pelle Frau® or in woven fabric, adds indulgent comfort as an invite to laid-back conversation. The legs in solid ash wood are available in a Wenge or Moka stained finish, dyed to sample shade or lacquered to match a RAL colour chart sample.



↑ DUO Small armchair, Fabric Wool Satin Light Marengo with ash in a wenge stain structure
DUO Chair, Pelle Frau® SC 66 India with ash in a wenge stain structure



↑ DUO Chair, Pelle Frau® SC 66 India with ash in a wenge stain structure

Roberto Lazzeroni
DUO Chair/Small armchair



↑ DUO Chair, Pelle Frau® SC 66 India with ash in a wenge stain structure

↗ DUO Small armchair, Fabric Wool Satin Light Marengo with ash in a wenge stain structure



The same architectural silhouette can be found in the DUO Low Tables, made in different heights and with a square, rectangular, or round top. The coffee table top rests lightly on the enveloping wooden frame, which has wide and slender legs, in a modernization of the classic mid-century coffee table.



↑ DUO Low Table, ash in a Wenge stain structure. Low table H 50 with Top in coloured glass NCS S5040Y80R Rosso Cina. Low table H 36 with Top in Calacatta marble



↑ DUO Low Table, ash in a Wenge stain structure. Low table D 80 with Top in coloured glass NCS S8010R90B Blu

DUO Low Table, ash in a Wenge stain structure. Low table D 120 with Top in coloured glass NCS S4005G20Y Celadon

Roberto Lazzeroni
DUO Low Table



↑ DUO Low Table, Top in in coloured glass
NCS S4005G20Y Celadon with ash in
a Wenge stain structure



↑ DUO Low Table, ash in a Wenge stain structure.
Low table H 50 with Top in coloured glass
NCS S5040Y80R Rosso Cina

↑ DUO Low Table, ash in a Wenge stain structure.
Low table H 36 with Ash Top in a Wenge stain



↑ ↗ DUO Low Table, Top in Total Calacatta marble with ash in a Wenge stain structure



The DUO Pedestal Table, with its round top in two different sizes, features a big sculptural base with a hand-crafted carving motif, making each piece unique and offering an aesthetically striking solution.



↖ DUO Pedestal Table, low table top in Calacatta
Marble with ash in a Wenge stain structure



↑ DUO Pedestal Table, low table top in coloured glass
NCS S3502Y | Grigio with ash in a Moka stain structure

Roberto Lazzeroni DUO Pedestal Table



↑ DUO Pedestal Table, low table with ash in a Moka stain structure. Low table H 41 with coloured glass top NCS S8010R90B | Blu

DUO Pedestal Table, low table with ash in a Moka stain structure. Low table H 55 with coloured glass top NCS S3502Y | Grigio



↑ DUO Pedestal Table, low table with ash in a Wenge stain structure

The DUO Table is streamlined and elegant with clean lines and soft curves for a minimalist approach. The base, in solid ash wood stained Wengé or Moka, evokes and revamps the style of the DUO coffee tables.

The broad legs are split with an inclined rounded section, connected by a cross frame with bronzed brass elements. This base supports the Calacatta marble top, which can be rectangular (250 or 292 cm) or circular (diameter 150 or 180 cm). Precious materials and functional design make the DUO Table perfect for different spaces and contexts.



↑ DUO Table 292×110, top in Calacatta marble with ash in a wenge stain structure



↑ DUO Table Ø 180, top in Calacatta marble with ash in a wenge stain structure

Roberto Lazzeroni DUO Table



↑ DUO Table 292×110, top in Calacatta marble with ash in a wenge stain structure

↗ DUO Table 292×110, detail of the solid ash structure



The DUO Trolley features the evocative aesthetics of an old-fashioned romanticism: its double tray (the top one in glass, the bottom one in wood, coloured glass, or marble) and bronzed brass details recall the atmosphere of luxury clubs and cocktail bars of the past.



↖ ↗ DUO Trolley, transparent glass upper top, coloured glass NCS S4005G20Y | Celadon lower top, with ash in a Wenge stain structure

Roberto Lazzeroni
DUO Trolley



↑ DUO Trolley, Wheels and metal trim details in brass with a bronze finish

↗ DUO Trolley, Smoked glass upper top, Calacatta marble lower top with ash in a Wenge stain structure



The Duo Bookcase, with either two or four shelves, is a furniture element with an architectural approach, in which the solid ash frame with staggered uprights is softened by the slightly rounded shapes of the shelves (which can be made of wood, coloured glass, or marble).



↑ DUO Bookcase, Top in coloured glass NCS S3005Y50R
Tortora with ash in a Wenge stain structure

Roberto Lazzeroni
DUO Bookcase



↑ DUO Bookcase, Top in coloured glass NCS S5040Y80R | Rosso Cina with ash in a Wenge stain structure



↑ DUO Bookcase, top of the uprights in painted metal shaded bronze

The DUO Cabinet is the storage cabinet available in three versions: high cabinet, low cabinet with two doors and single Bar basket, and two doors and double Bar basket.

The design reinterprets the classic 1950s sideboard: the elegant solid wood structure is lightened by the use of spacers between the base and the cabinet, making the piece visually sleek and contemporary. Available finishes are ebony, natural walnut, inlaid maple or inlaid walnut, which gives it a textured, three-dimensional look. The inside of the cabinet is in maple, which provides a contrast to the outer darker shade.



↑ DUO High Cabinet, 2 doors in ebony with ash in a Wenge stain structure



↗ DUO Low Cabinet, 2 doors and double Bar basket in walnut inlaid with ash in a Wenge stain structure

Roberto Lazzeroni
DUO Cabinet



↑ DUO Cabinet, top of the uprights in painted metal shaded bronze



↑ DUO Low Cabinet, 2 doors and single Bar basket in walnut inlaid with ash in a Wenge stain structure and Calacatta marble top

DUO Internal drawer Low Cabinet, in maple with ash partition in a Wenge stain and drawer bottom in Pelle Frau@SC 173 Glauco



↑ DUO low Cabinet, with internal parts in maple



↗ DUO high Cabinet, with internal parts in maple and accessories in ash in a Wenge stain



↑ DUO high Cabinet, internal drawer in ash in a wengè stain with partition in maple and drawer bottom in Pelle Frau® SC 173 Glauco



↑ DUO Cabinet, handles in painted metal shaded bronze

Like the DUO Bookcase the DUO Console is a furniture element with an architectural approach, in which the solid ash frame with staggered uprights is softened by the slightly rounded shapes of the shelves (which can be made of wood, coloured glass, or marble).



↖ ↑ DUO Console, Calacatta marble upper top, coloured glass NCS S5040Y80R | Rosso Cina lower top, with ash in a Wenge stain structure

Roberto Lazzeroni DUO Console



↑ DUO Console, Calacatta marble upper top, coloured glass NCS S5040Y80R | Rosso Cina lower top, with ash in a Wenge stain structure



↗ DUO Console, with ash in a Wenge stain structure

DUO Floor Mirror features a special decoration on the frame handcrafted with the gouge carving technique.



↖ ↑ DUO Floor Mirror, ash in a Wenge stain structure

Roberto Lazzeroni
DUO Floor Mirror

The DUO Lamp is the freestanding lighting solution with inverted cone diffuser in white opaline glass and tapered stem in caneté-worked wood, whose design is a nod to the unforgettable geometry of 1950s Italian design icons.

➤ DUO Lamp, ash in a Wenge stain structure



Roberto Lazzeroni
DUO Lamp



↑ ↗ DUO Lamp, cannetè worked ash in a Wenge stain structure with metal trim details painted shaded bronze



To complete the collection, the DUO Mirrors are rectangular, round, or square wall mirrors with stained ash wood frame.

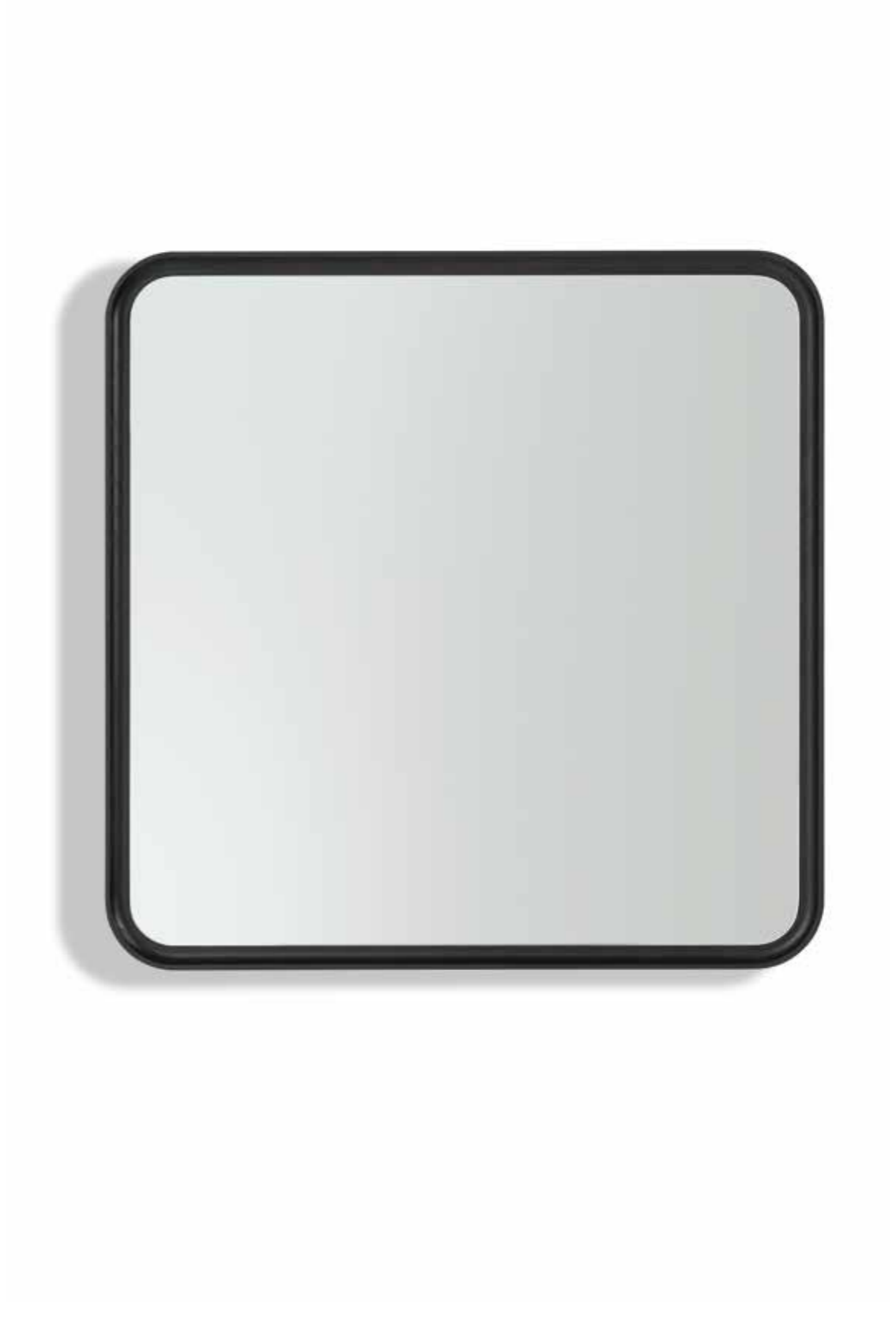


↖ ↑ DUO Mirror, ash in a Wenge stain structure

Roberto Lazzeroni
DUO Mirror



↖ ↑ DUO Mirror, ash in a Wenge stain structure

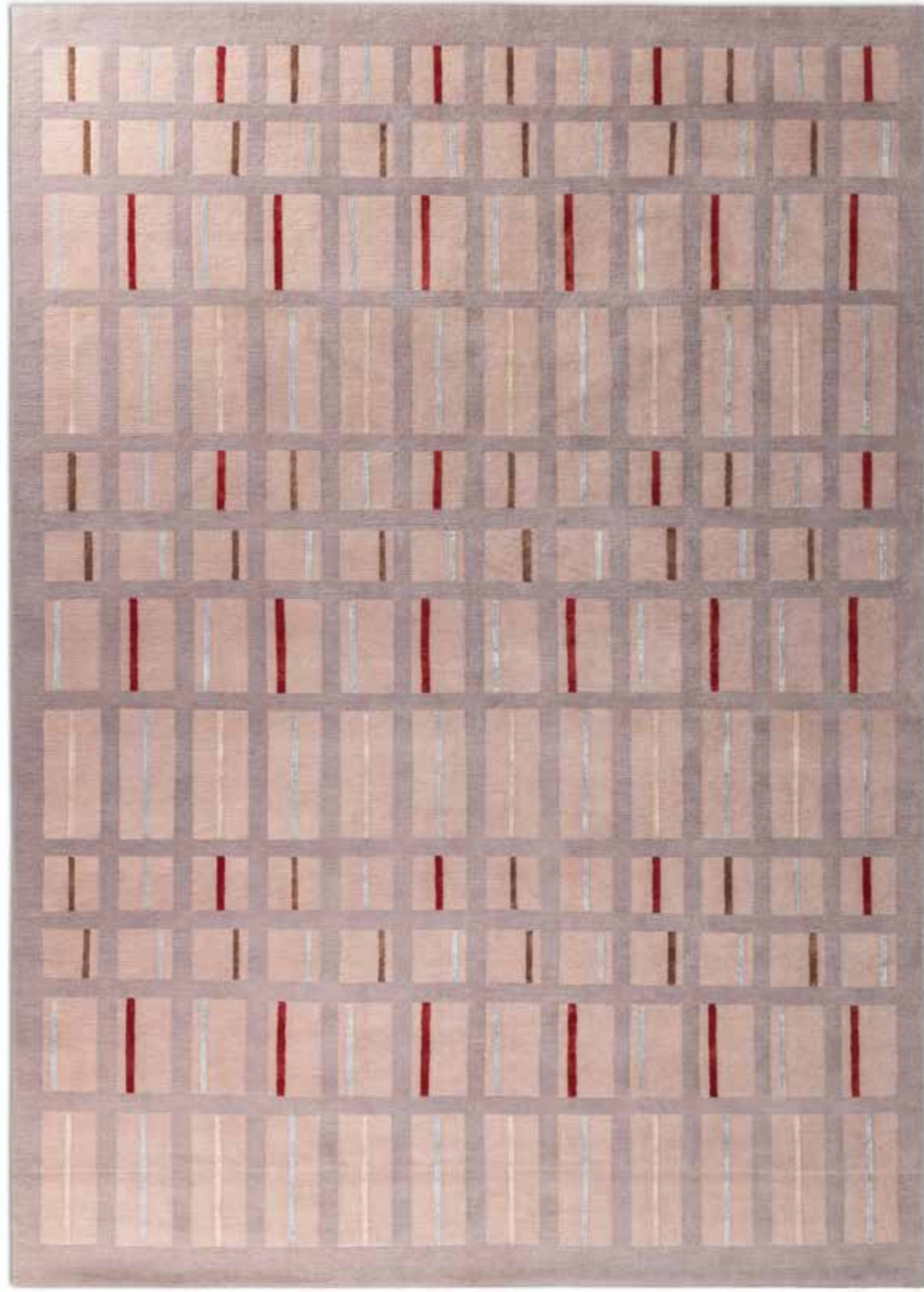


The DUO Rug, in wool and silk, has an elegant geometric pattern available in two shades, Poudre and Dusk Blue, matching perfectly with the hues of the fabrics on the upholstered pieces.

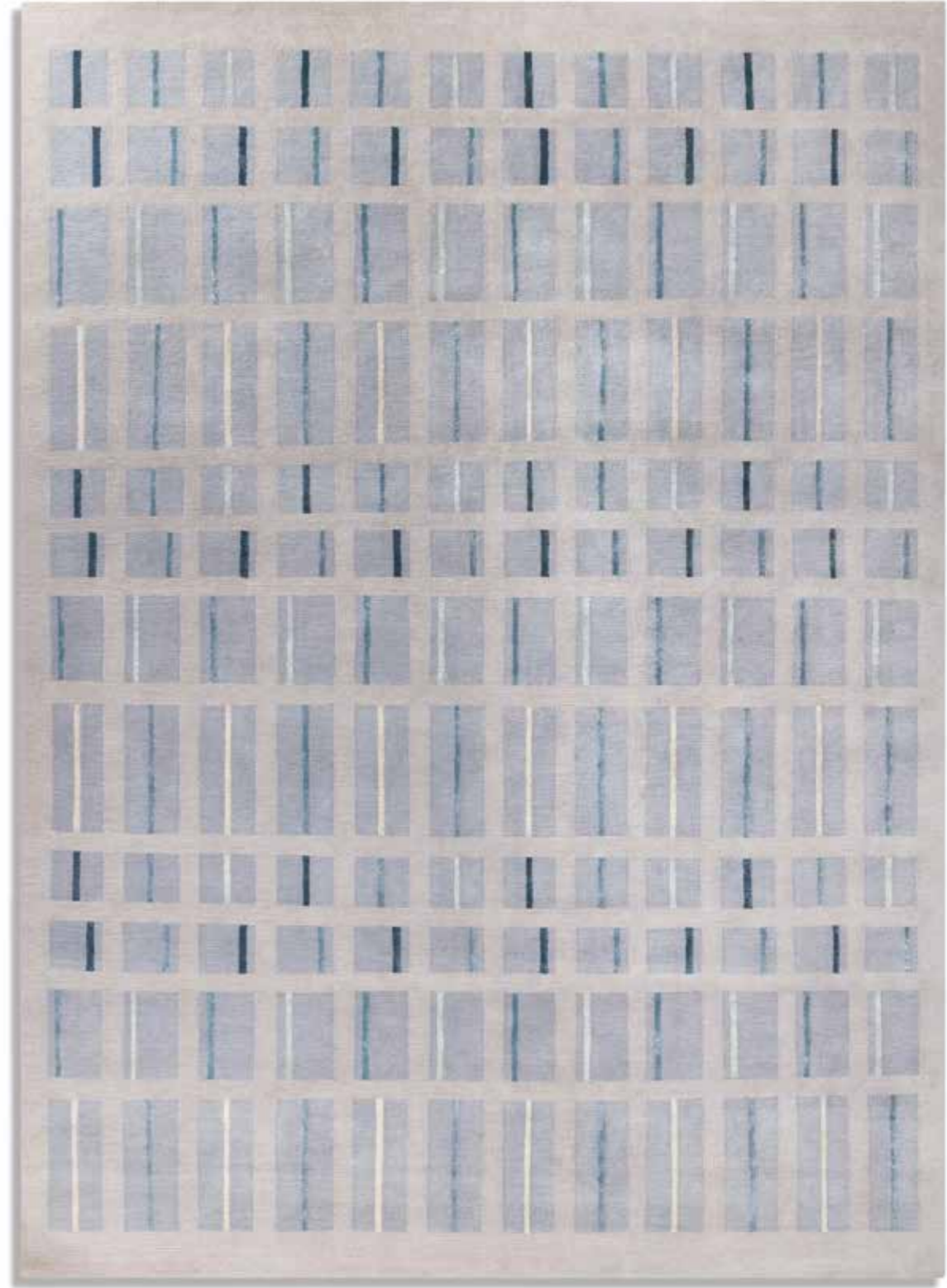


Roberto Lazzeroni
DUO Rug

↑ DUO Rug, 350x250 rug col. Poudre

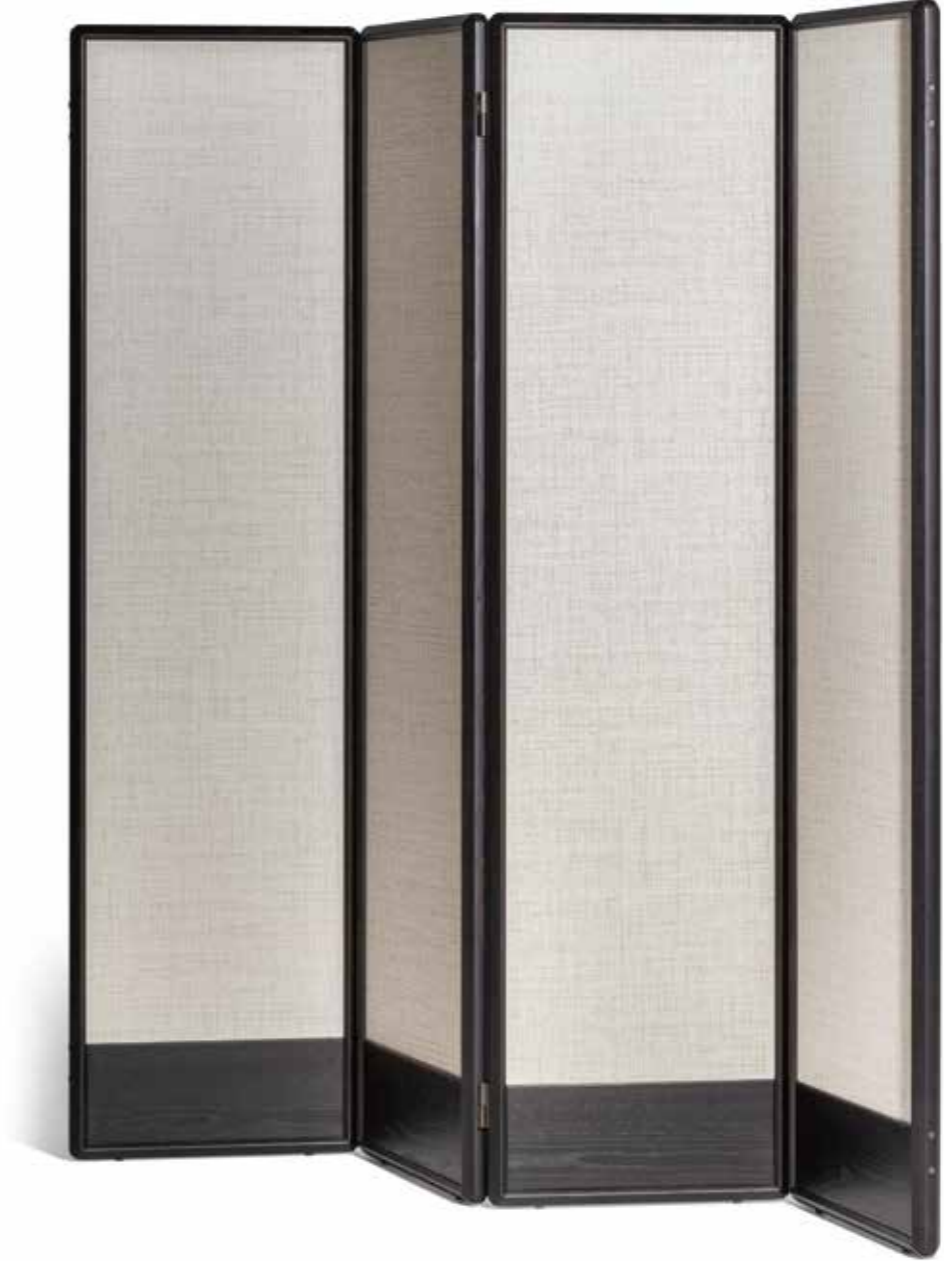


↑ DUO Rug, 350×250 rug col. Poudre



↗ DUO Rug, 350×250 rug col. Dusk Blue

The DUO Screen is the wood-framed divider that can easily adapt to the most diverse domestic contexts thanks to the possibility of fully customizing the panels with wallpaper or fabric.



↖ ↗ DUO Screen, room divider composition of 4 modules with ash in a Wenge stain structure and covering in wallpaper Puro 27000A Mushroom

Roberto Lazzeroni
DUO Screen



Translations

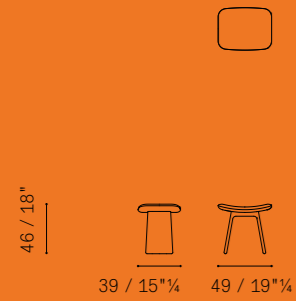
- 121 Italian translation
- 121 French translation
- 122 Chinese translation

Tecnical Drawings

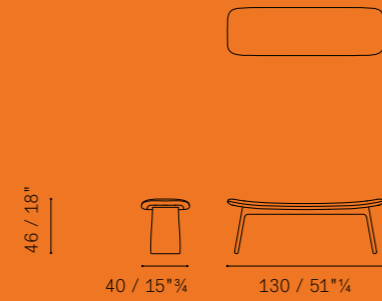
- | | | | |
|-----|------------------|-----|--------------------|
| 124 | DUO Bench | 128 | DUO Low Table |
| 124 | DUO Bookcase | 130 | DUO Mirror |
| 125 | DUO Cabinet | 131 | DUO Pedestal Table |
| 126 | DUO Chair | 132 | DUO Rug |
| 127 | DUO Console | 132 | DUO Screen |
| 127 | DUO Floor Mirror | 133 | DUO Sofa |
| 127 | DUO Lamp | 135 | DUO Table |
| 127 | DUO Lounge | 134 | DUO Trolley |

Translations
and Technical Drawings
DUO Collection

DUO Bench — Bench



DUO Bench — Bench Large



DUO Bench — Finishes

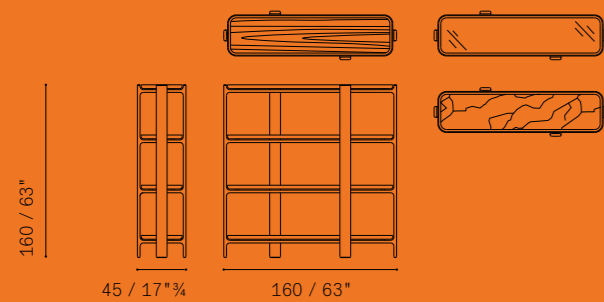
Structure. In solid wood:

- Ash in a wenge stain
- Ash in a moka stain

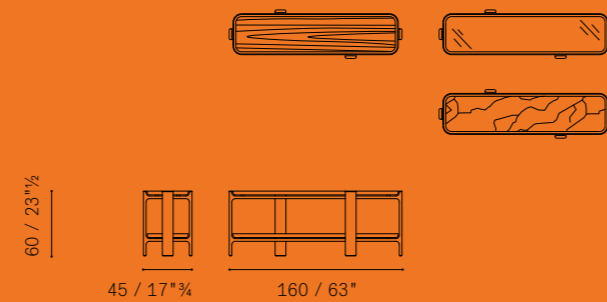
Upholstery. Entirely in Pelle Frau® leather or fabric.

- ColorSphere® (SC)
- Heritage
- Nest
- Soul
- Natural leather
- Velvety
- Fabric A
- Fabric B
- Fabric C
- C.O.M.

DUO Bookcase — Bookcase 160×45 h160



DUO Bookcase — Bookcase 160×45 h60



DUO Bookcase — Finishes

Dimensions:

- 160×45 h160 cm
- 160×45 h60 cm

Structure and shelf frame. In solid wood:

- Ash in a wenge stain
- Ash in a moka stain

Top:

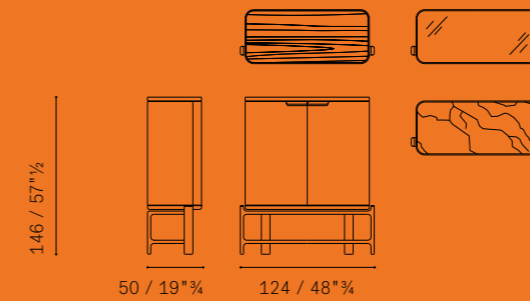
- Ash in a wenge or moka stain (same finish as the one chosen for the structure)
- Coloured glass
- Semi-gloss Calacatta marble

Aesthetic details. The bookcase can have shelves with different finishes

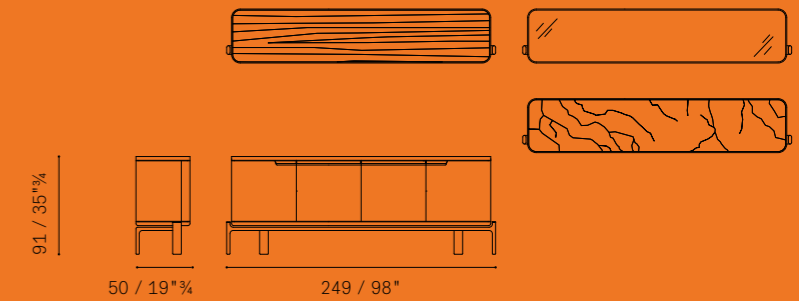
Please note:

this catalogue shows only some technical drawings, in order to know all the availabilities please refer to the current price list.

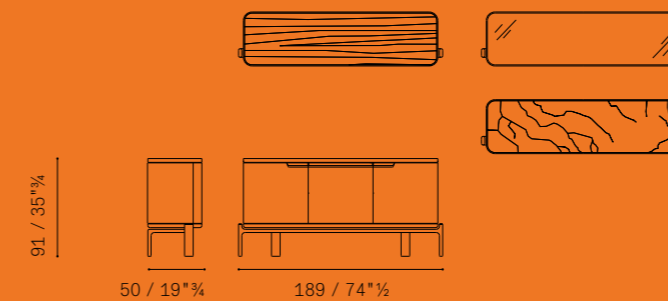
DUO Cabinet — High cabinet



DUO Cabinet — Low cabinet 249×50 h91



DUO Cabinet — Low cabinet 189×50 h91



DUO Cabinet — Finishes

Dimensions:

- High Cabinet 124×50 h 146 cm
- Low Cabinet 189×50 h 91 cm
- Low Cabinet 249×50 h 91 cm

Structure and shelf frame. In solid wood:

- Ash in a wenge stain
- Ash in a moka stain

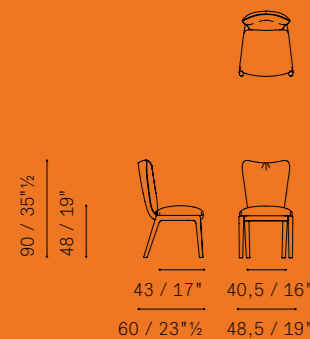
External part of cabinets in:

- Ebony
- Natural walnut
- Inlaid walnut

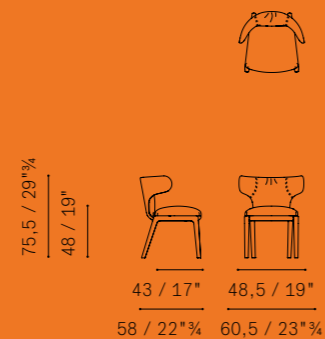
Top:

- Ash in a wenge or moka stain (same finish as the one chosen for the structure)
- Semi-gloss Calacatta marble
- Coloured glass

DUO Chair — Chair



DUO Chair — Small armchair



DUO Chair — Finishes

Base. Consists of four legs made of solid ash wood with triangular section.

Leg finishes.

- Wengé stained ash (32)
- Mocha stained ash (61)

Additional special finishes with surcharge:

- Custom stained ash
- RAL lacquered ash to sample.

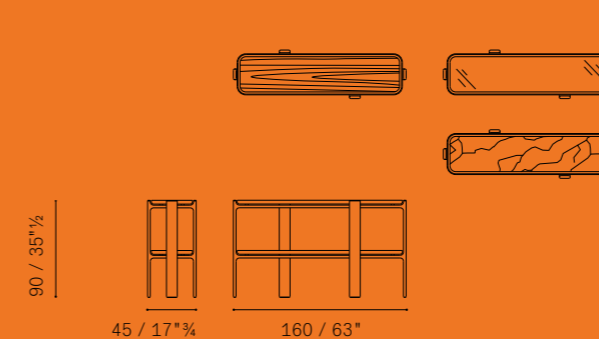
Upholstery. In Pelle Frau® leather or fabric:

- ColorSphere® (SC)
- Nest
- Soul
- Fabric A
- Fabric B
- Fabric C
- C.O.M.

Removability. Not provided.

Please note:
this catalogue shows only some technical drawings, in order
to know all the availabilities please refer to the current price list.

DUO Console — Console 160×45 h90



DUO Console — Finishes

Structure and shelf frame. In solid wood:

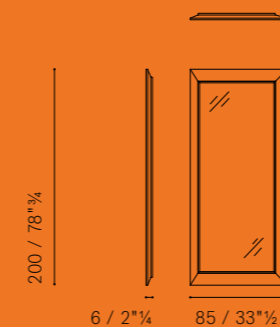
- Ash in a wenge stain
- Ash in a moka stain

Top:

- Ash in a wenge or moka stain (same finish as the one chosen for the structure)
- Coloured glass
- Semi-gloss Calacatta marble

Aesthetic details. The console can have shelves with different finishes

DUO Floor Mirror — Floor Mirror

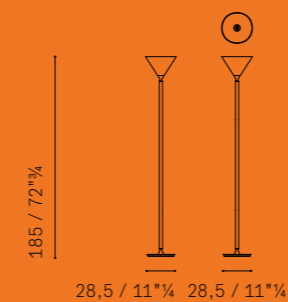


DUO Floor Mirror — Finishes

Frame. In solid wood:

- Ash in a wenge stain
- Ash in a moka stain

DUO Lamp — Floor lamp



DUO Lamp — Finishes

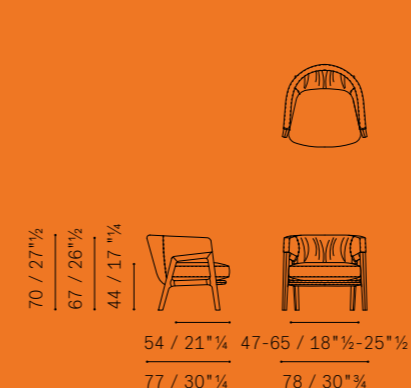
Structure. In solid wood:

- Ash in a wenge stain
- Ash in a moka stain

Certifications:

- EU/EXTRA EU
- USA

DUO Lounge — Armchair



DUO Lounge — Finishes

Base finish. In solid wood:

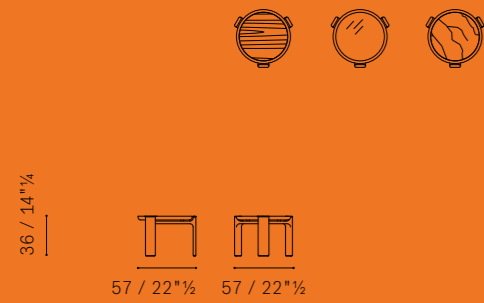
- Ash in a wenge stain
- Ash in a moka stain

Upholstery. Entirely in Pelle Frau® leather or fabric.

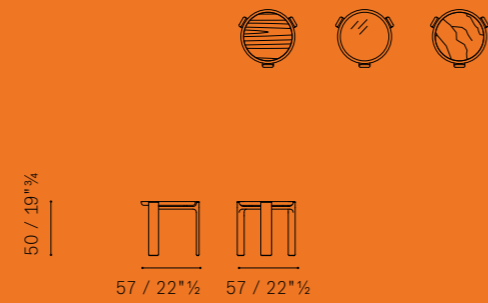
- ColorSphere® (SC)
- Nest
- Soul
- Velvety
- Fabric A
- Fabric B
- Fabric C
- C.O.M.

Removability. Only for the seat cushion with leather and fabric cover.
Aesthetic details. The stitching is tone-on-tone.

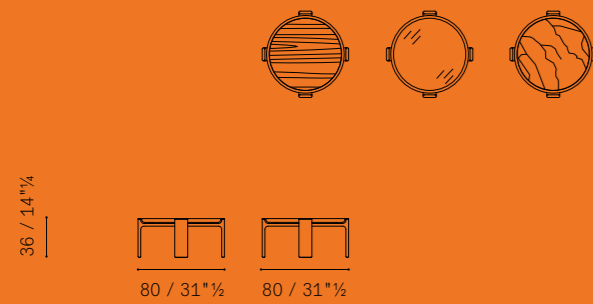
DUO Low Table — Coffee table ø57 h36



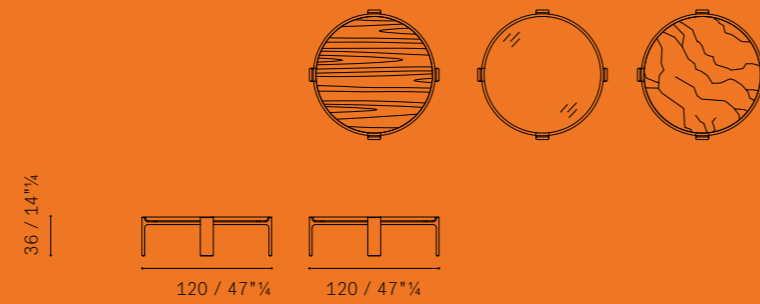
DUO Low Table — Coffee table ø57 h50



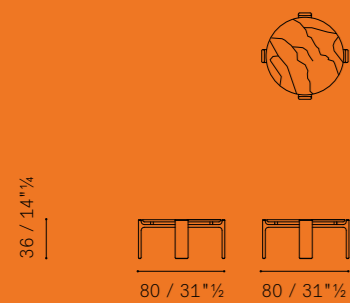
DUO Low Table — Coffee table ø80 h36



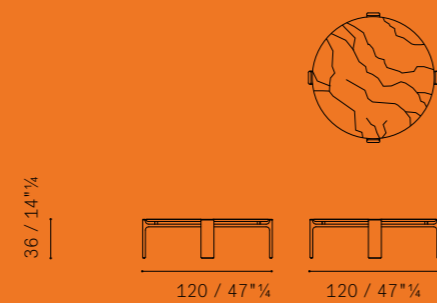
DUO Low Table — Coffee table ø120 h36



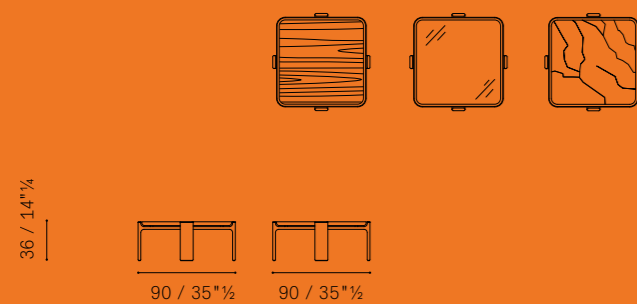
DUO Low Table — Coffee table total marble ø80 h36



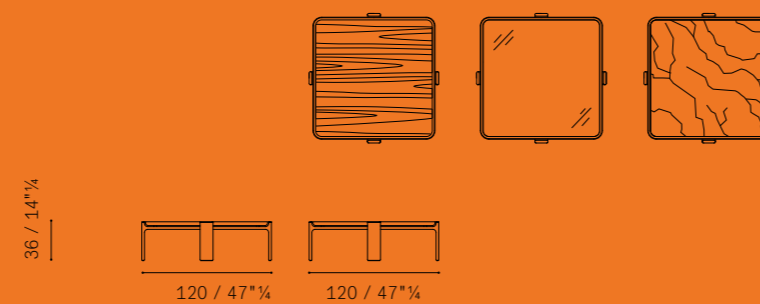
DUO Low Table — Coffee table total marble ø120 h36



DUO Low Table — Coffee table 90×90 h36

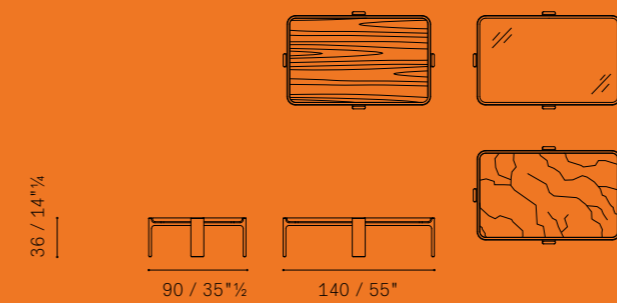


DUO Low Table — Coffee table 120×120 h36

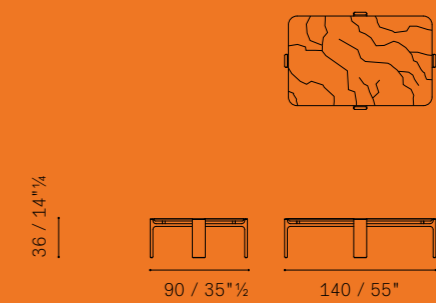


Please note:
this catalogue shows only some technical drawings, in order
to know all the availabilities please refer to the current price list.

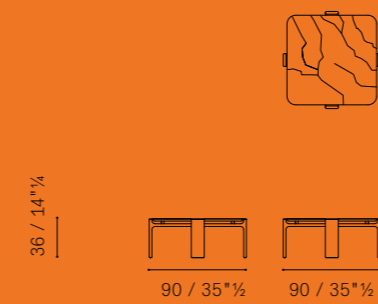
DUO Low Table — Coffee table 140×90 h36



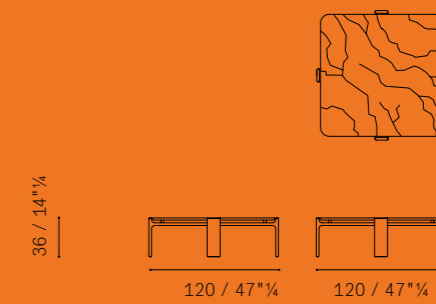
DUO Low Table — Coffee table total marble 140×90 h36



DUO Low Table — Coffee table total marble 90×90 h36



DUO Low Table — Coffee table total marble 120×120 h36



DUO Low table — Finishes

Dimensions:

- ø 57 h 36
- ø 57 h 50
- ø 80 h 36 | ø 80 h 36 Total Marble
- ø 120 h 36 | ø 120 h 36 Total Marble
- 90×90 h 36 | 90×90 h 36 Total Marble
- 120×120 h 36 | 120×120 h 36 Total Marble
- 140×90 h 36 | 140×90 h 36 Total Marble

Structure and shelf frame. In solid wood

- Ash in a wenge stain
- Ash in a moka stain

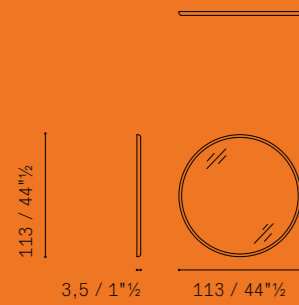
Top:

- Ash in a wenge or moka stain (same finish as the one chosen for the structure)
- Semi-gloss Calacatta marble
- Coloured glass
- Total semi-gloss Calacatta marble (not available in the ø 57 size)

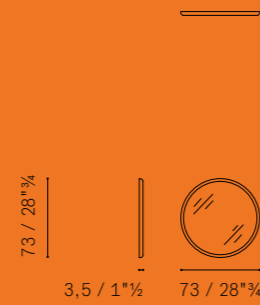
Aesthetic details.

In the Total Calacatta marble version there is no solid ash frame.

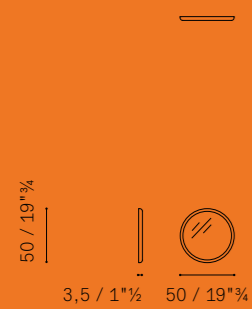
DUO Mirror — Mirror ø113×3,5



DUO Mirror — Mirror ø73×3,5



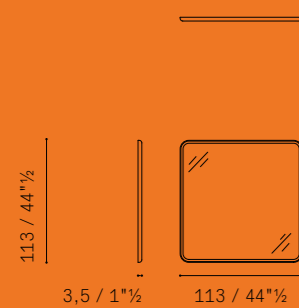
DUO Mirror — Mirror ø50×3,5



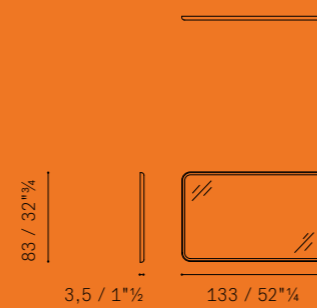
DUO Mirror — Mirror 83×3,5 h83



DUO Mirror — Mirror 113×3,5 h113



DUO Mirror — Mirror 113×3,5 h83



DUO Mirror — Finishes

Dimensions:

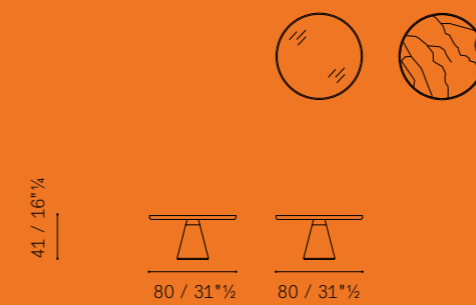
- 113×3.5 h 113 cm
- 83×3.5 h 83 cm
- 133×3.5 h 83 cm
- D113 W 3.5 cm
- D73 W 3.5 cm
- D50 W 3.5 cm

Frame. In solid wood:

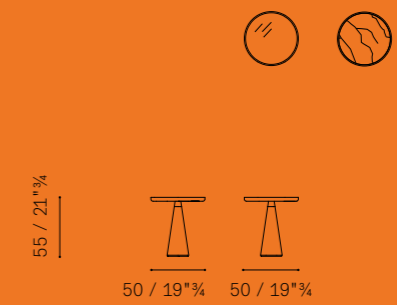
- Ash in a wenge stain
- Ash in a moka stain

Please note:
this catalogue shows only some technical drawings, in order
to know all the availabilities please refer to the current price list.

DUO Pedestal Table — Coffee table ø80 h41



DUO Pedestal Table — Coffee table ø50 h55



DUO Pedestal Table — Finishes

Dimensions:

- ø 50 h 55
- ø 80 h 41

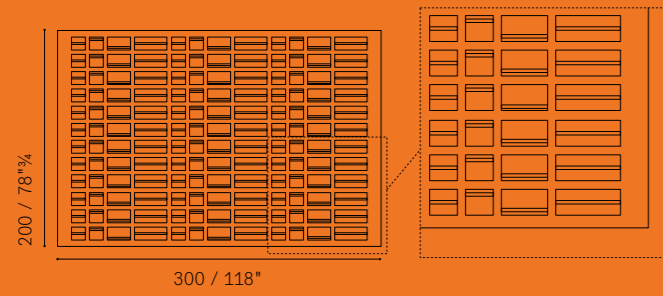
Structure and top frame. In solid wood

- Ash in a wenge stain
- Ash in a moka stain

Top:

- Semi-gloss Calacatta marble
- Coloured glass

DUO Rug — Rug 300×200 cm



DUO Rug — Finishes

Dimensions:
- 200×300 cm
- 250×350 cm

Colours:
- Dusk Blue
- Poudre

Technique. Rug entirely hand-knotted on wooden looms with an Indo-Tibetan knot.

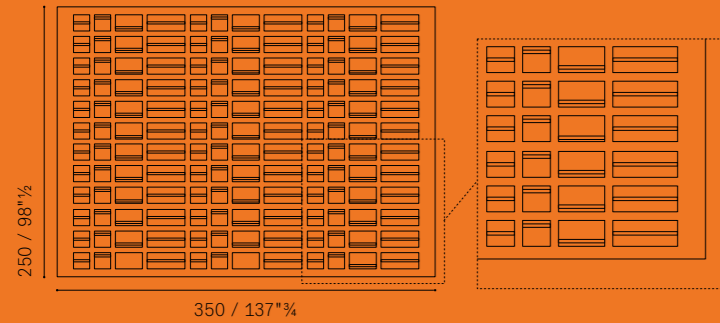
Quality. 86,000 knots/m2

Overall composition (structure and surface). 80% wool + 20% natural silk.

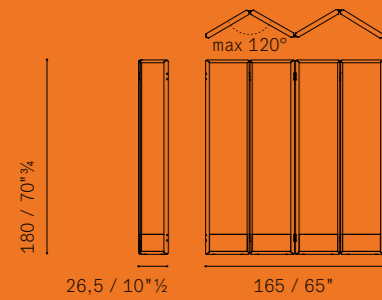
Aesthetic details. All the carpet collections are marked with a hand-sewn leather label with the Poltrona Frau trademark embossed.

Sustainably. Made in India

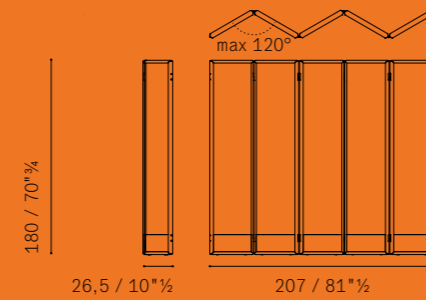
DUO Rug — Rug 350×250 cm



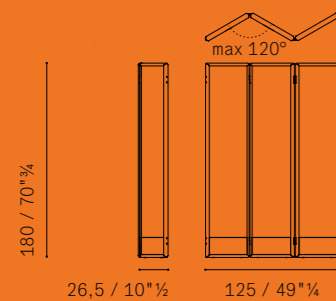
DUO Screen — Room divider 4 modules



DUO Screen — Room divider 5 modules



DUO Screen — Room divider 3 modules



DUO Screen — Finishes

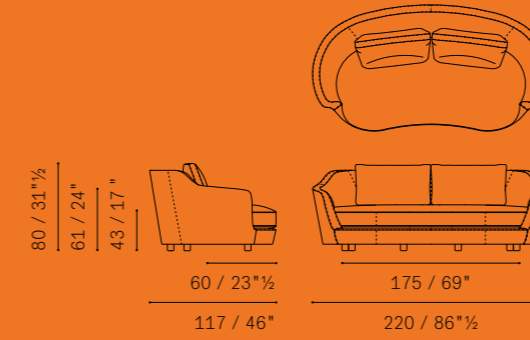
Structure. In solid wood:
- Ash in a wenge stain
- Ash in a moka stain

Covering. A hollow panel covered in wallpaper:
- Puro
- Canvas

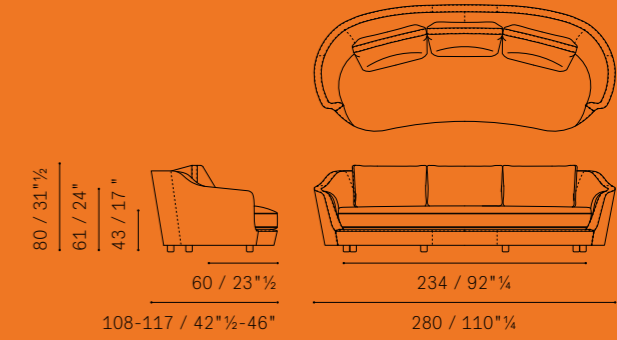
Aesthetic details. The front and rear of the panel can be covered with different finishes.

Please note:
this catalogue shows only some technical drawings, in order to know all the availabilities please refer to the current price list.

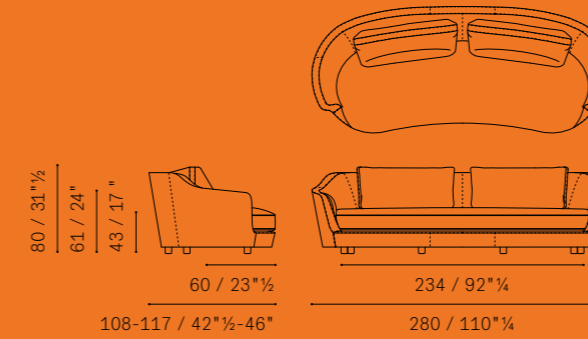
DUO Sofa — 2-seater sofa



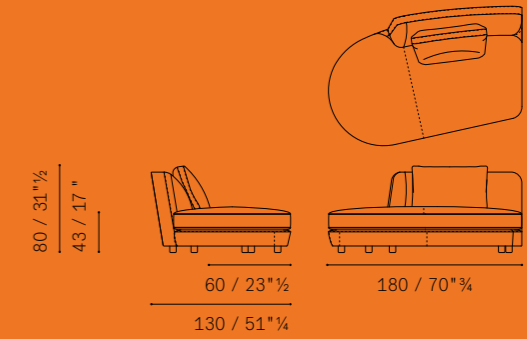
DUO Sofa — 3-seater sofa with 3 cushion 50×70 cm



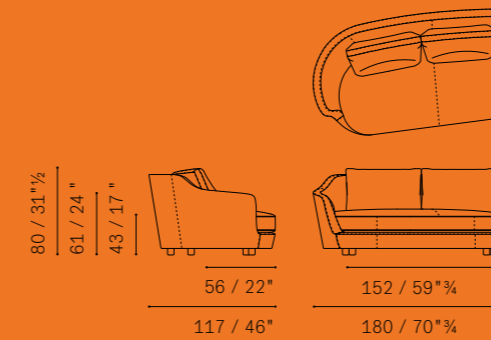
DUO Sofa — 3-seater sofa with 2 cushion 100×50 cm



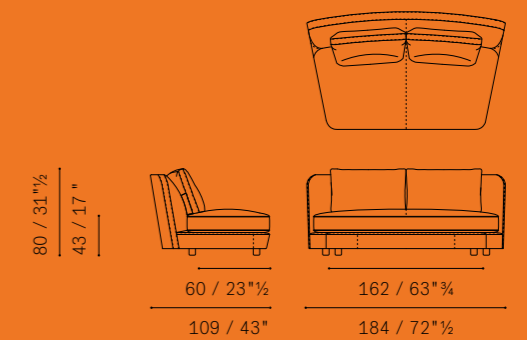
DUO Sofa — Curved terminal armchair with bench



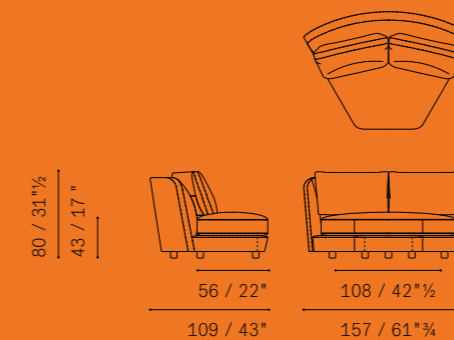
DUO Sofa — Curved sectional 2-seater sofa



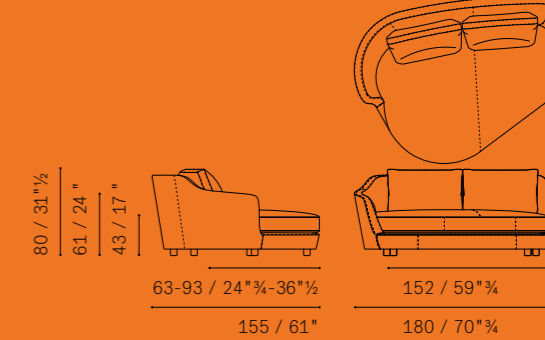
DUO Sofa — Curved sectional armless 2-seater sofa



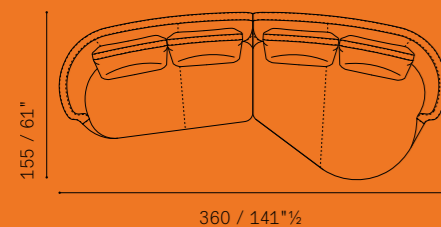
DUO Sofa — 60° corner module



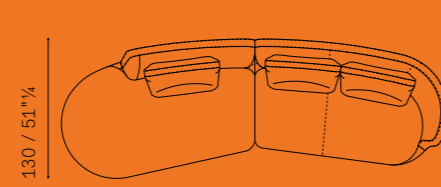
DUO Sofa — Curved large sectional chaise-longue



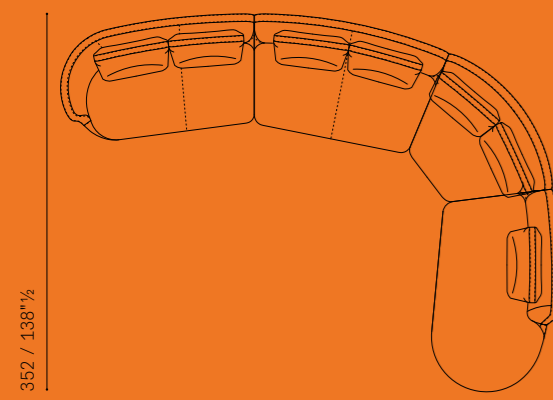
DUO Sofa — Composition 1

360 / 141¹/₂

DUO Sofa — Composition 2

360 / 141¹/₂

DUO Sofa — Composition 3

462 / 181¹/₄

DUO Sofa — Finishes

Upholstery:

- ColorSphere®
- ColorSphere®/FABRIC A
- ColorSphere®/FABRIC B
- ColorSphere®/FABRIC C
- ColorSphere®/C.O.M
- Nest
- Nest/FABRIC A
- Nest/FABRIC B
- Nest/FABRIC C
- Nest/C.O.M
- Soul
- Soul/FABRIC A
- Soul/FABRIC B
- Soul/FABRIC C
- Soul/C.O.M
- Velvety
- FABRIC A
- FABRIC B
- FABRIC C
- C.O.M

Removability. The fabric upholstery is totally removable. The leather upholstery is removable only for the seat cushions and backrest.

Aesthetic details. Stitching are tone-on-tone.

Feet.

- Cylindrical Ø60 mm in black anodized aluminium
- (OPTIONAL WITH SURCHARGE) knife shaped in satin-burnished aluminium.

DUO Trolley — Finishes

Structure. In solid wood

- Ash in a wenge stain
- Ash in a moka stain

Upper top in glass:

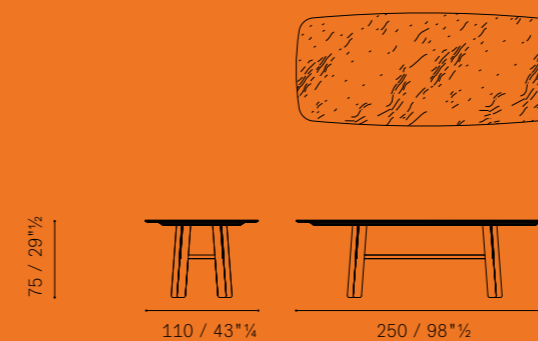
- Transparent
- Bronzed
- Smoked

Lower top:

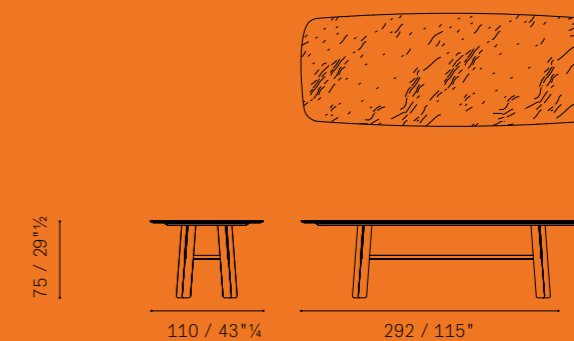
- Ash in a wenge or moka stain (same finish as the one chosen for the structure)
- Coloured glass
- Semi-gloss Calacatta marble

Please note:
this catalogue shows only some technical drawings, in order
to know all the availabilities please refer to the current price list.

DUO Table — 110×250 h75

110 / 43¹/₄250 / 98¹/₂

DUO Table — 110×292 h75

110 / 43¹/₄292 / 115¹/₂

DUO Table — ø 150 h75

150 / 59¹/₂

DUO Table — ø 180 h75

180 / 70¹/₄

DUO Table — Finishes

Versions.

- ø 150 h 75
- ø 180 h 75
- 250×110 h 75
- 292×110 h 75

Base. Made of solid ash wood, available in the following finishes:

- Wenge-stained ash (32)
- Moka-stained ash (61)

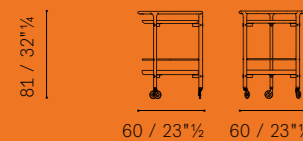
Top. Crafted from a single slab of marble with rounded corners and tapered edges:

- Semi-brilliant Calacatta marble

Subtop. Additional stability is provided by a black-painted MDF subtop connected to the base with special steel plates.

Metal details. Connection elements and metallic finishing details are made of brushed bronzed brass.

DUO Trolley — Trolley

81 / 32¹/₄60 / 23¹/₂60 / 23¹/₂

CONTACTS

Poltrona Frau S.p.A

a socio unico

Sede legale in Meda (MB)

Via Luigi Busnelli 1

20821 Italy

Sede operativa in Tolentino (MC)

Via Sandro Pertini 22

62029 Italy

Tel. +39 0733 909.1

Fax +39 0733 971600

www.poltronafrau.com

CREDITS

Project commissioned by the
Marketing & Communications

dept. of Poltrona Frau spa

Graphic design

studio FM milano

Creative direction

K-448

Styling

Sarah de Beaumont

Lifestyle CGI Photography

Fuorifuoco Agency

Still-life Photography

Alessio D'Aniello

Post production / Color selection

Pan Group Milano

Printing

OGM Padova

© POLTRONA FRAU 2024

Poltrona Frau reserves the right

to modify the products and the

components in this price list,

without any prior notice.

Company with certified Quality

Management System in accordance

with ISO 9001, certified Environmental

Management System

in accordance with ISO 14001,

certified Occupational Health

and Safety Management System

in accordance with BS OHSAS 18001,

certified Chain of Custody System

in accordance with Forest Stewardship

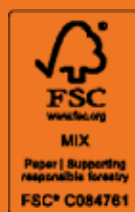
Council® FSC-STD-40-004

(FSC-C153281).

Company subject to management

and co-ordination of Haworth Italy

Holding S.r.l.



I005311-2000-04/24