
D
ANDY
HOME COLLECTION



WELCOME IN

DANDY

HOME

The concept of "Dandy Home Collection" aims at living a unique fashion - oriented lifestyle. The exclusive character of the products is inspired by the world of fashion through new combinations of materials and details.

A great collection of Leather upholstered products and furniture accessories, created and managed by designer Giuseppe Viganò.

Dandy Home Collection is entirely manufactured in Italy and distributed by Gamma Arredamenti International S.p.A. all over the world.



Designer Giuseppe Viganò

INDEX

SOFA

VINCENT 4
 PUZZLE 18
 GREGORY 28
 COCOON 46
 ESCAPE 62
 KARL 70
 RENEGADE 90
 EDWIN 94
 HOLLYWOOD 102
 MARLON 106
 McQUEEN 112
 KONG 116
 LIMOUSINE 126
 JACK 134
 VESSEL 142
 BORDER 154

OCCASIONAL CHAIRS

LUNA 42
 COCOON BERGÈRE 54
 SPIDER 60
 LOVE 82
 SCARLETT 86
 HARLEY 100
 DEAN 110
 LOLITA 120
 GLOSS 122
 LOBSTER 124
 CHARLOTTE 132
 TRENCH 140
 GEM 152
 CRUISE 168
 SALLY 79
 SPIDER chair 160
 SPIDER stool 166

TABLES

VINCENT coffee tables 4
 BELTS coffee tables 15
 CRUISE coffee tables 17
 PUZZLE coffee tables 18
 BASKET coffee tables 28
 STRIPES coffee tables 31
 SIDE coffee tables 41
 CLEPSYDRA coffee tables 48
 ESCAPE coffee tables 67
 DRUMS coffee tables 105
 KONG coffee tables 119
 VENUS dining table 160

ACCESSORIES

BRIDGET BAG 4
 LOLA BAG 17
 ROGER 26
 BASKET LAMPS 30
 HELENA BAG 36
 CHARLOTTE BAG 39
 SMART ACCESSORIES 59
 SMART STOOL 63
 FLOOR PILLOWS 68
 BROOKLYN BOOKSHELF 78
 BIG BAG 141
 BOULEVARD BOOKSHELF 146
 ROYAL PILLOWS 148
 BAGS 150

VINCENT
GLOSS
VINCENT COFFEE TABLES
BASKET COFFEE TABLE
SIDE COFFEE TABLE
BRIDGET BAG



























SPIDER
ESCAPE COFFEE TABLES
STRIPES COFFEE TABLE
BASKET LAMPS
ROYAL PILLOWS













































KARL
 CHARLOTTE
 BELTS COFFEE TABLES
 CHARLOTTE BAG
 ROYAL PILLOW



































































































INDEX

BED

COCOON NIGHT 174
MARLON NIGHT 182
McQUEEN NIGHT 186
JACK NIGHT 190
JAZZ NIGHT 194
OXER NIGHT 198

OCCASIONAL CHAIRS

LUNA 177
DEAN 182
LOLITA 185
TRENCH 191
COCOON BERGÈRE 195

COFFEE TABLES

DRUMS coffee tables 176
CRUISE coffee tables 187
CLEPSYDRA coffee tables 190
KONG coffee tables 194

ACCESSORIES

COCOON BENCH 174
SMART ACCESSORIES 175
BIG BAG 177
BAKU night stand 178
BAKU dresser 179
COCOON mirror 179
SKY night stand 183
JACK mirror 193
FLOOR PILLOW 195























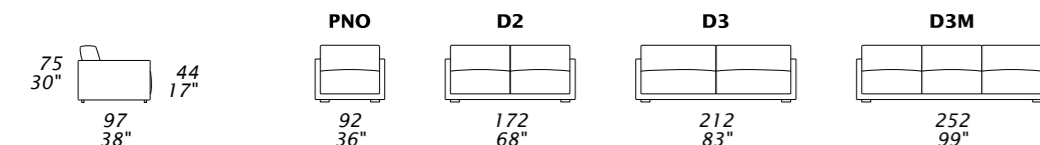




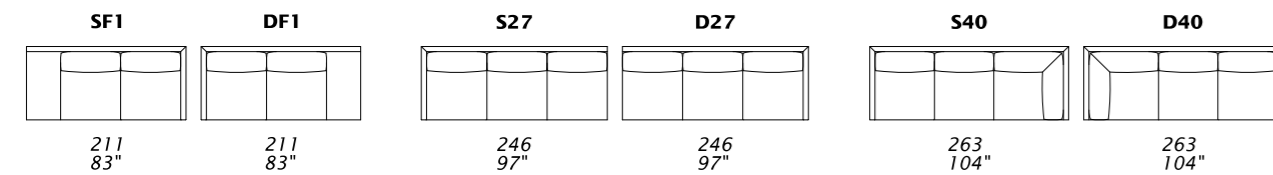
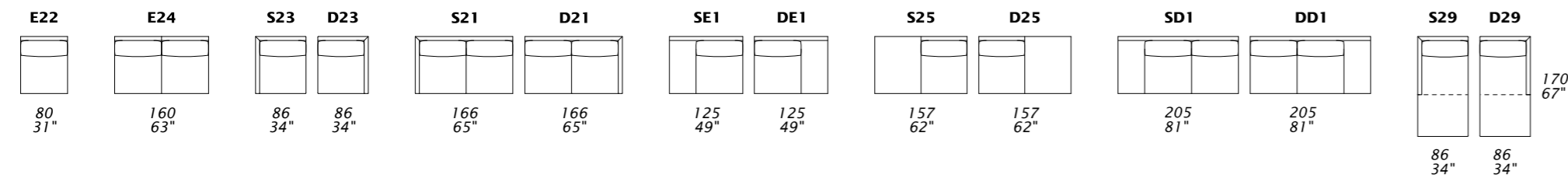


BORDER

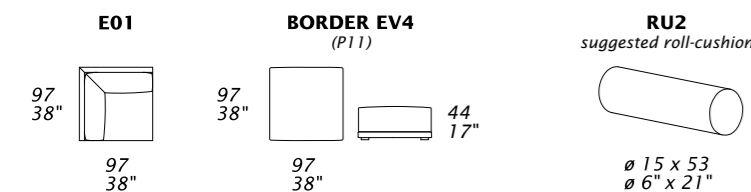
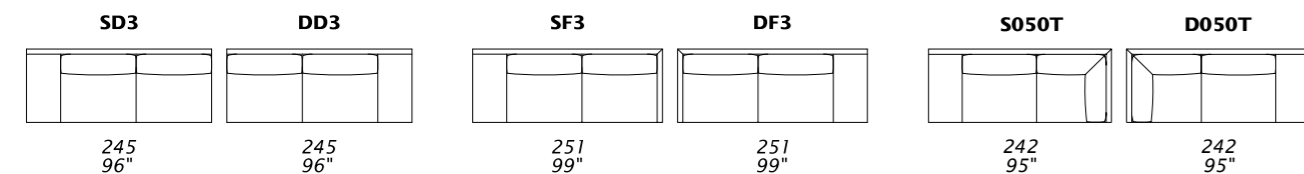
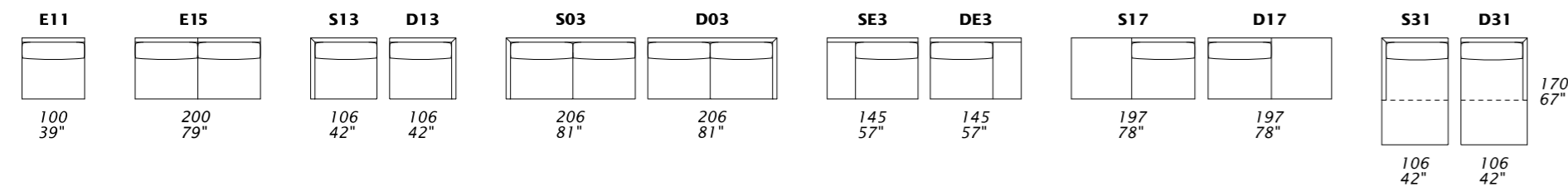
Design Giuseppe Viganò



X all items in group X have the same seat width – tutti gli elementi del gruppo X hanno lo stesso modulo di seduta



J all items in group J have the same seat width – tutti gli elementi del gruppo J hanno lo stesso modulo di seduta

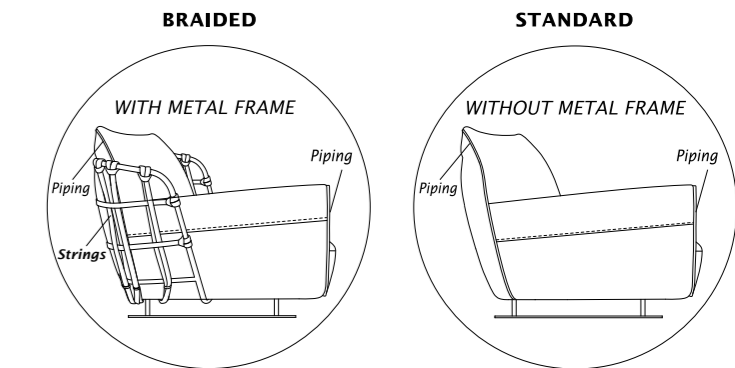
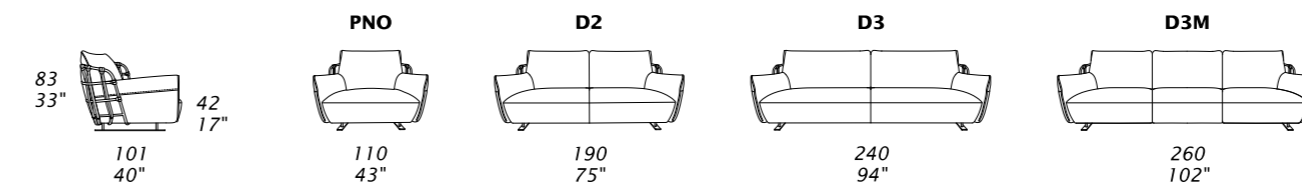


Dimensions: the first figure shows sizes in centimeters, the second in inches.
 Each piece is made by hand and has its own uniqueness. Measures may vary with a tolerance up to 3%.
 Mixing above groups (X - J) will create sectionals with different seat widths.
 Corner piece E01 is an odd piece and can be used with all above groups X - J.
 Seat depth 63 cm - 25".

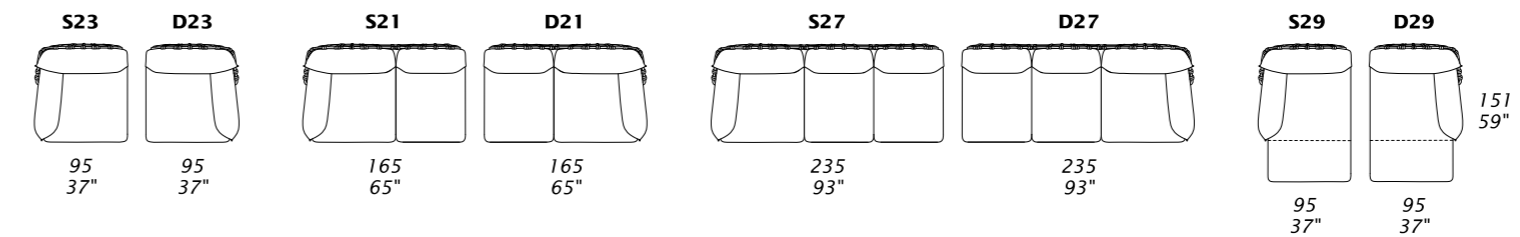
Technical sheet

COCOON

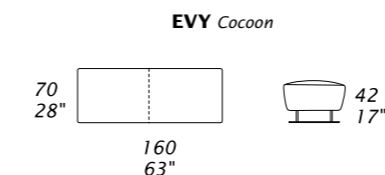
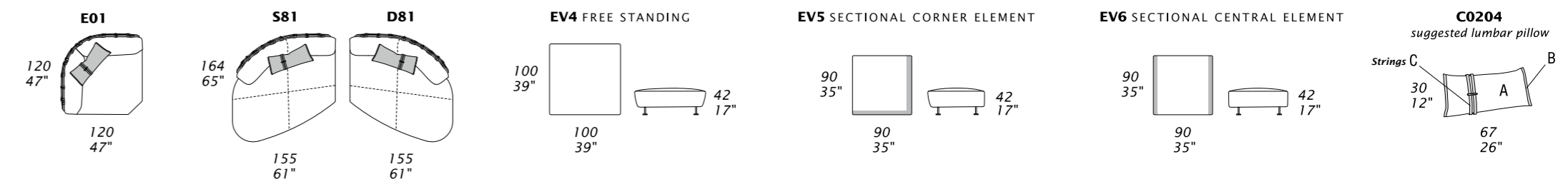
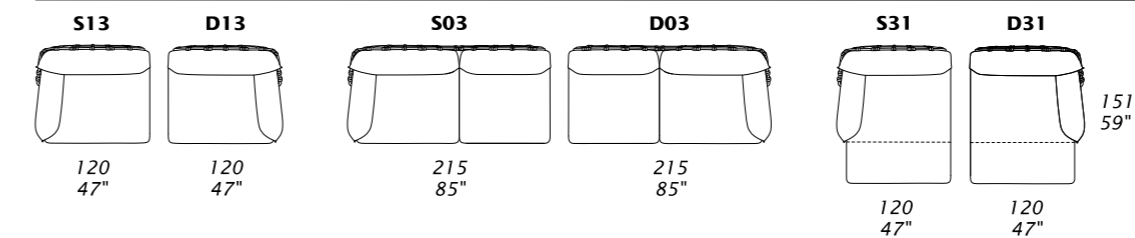
Design Giuseppe Viganò



X all items in group X have the same seat width – tutti gli elementi del gruppo X hanno lo stesso modulo di seduta



J all items in group J have the same seat width – tutti gli elementi del gruppo J hanno lo stesso modulo di seduta

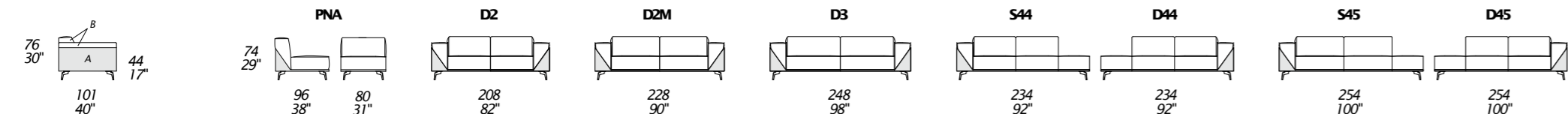


Dimensions: the first figure shows sizes in centimeters, the second in inches.
 Each piece is made by hand and has its own uniqueness. Measures may vary with a tolerance up to 3%.
 Mixing above groups (X - J) will create sectionals with different seat widths.
 Corner pieces E01 and S81/D81 are odd pieces and can be used with all above groups X - J.
 Seat depth 65 cm - 26".

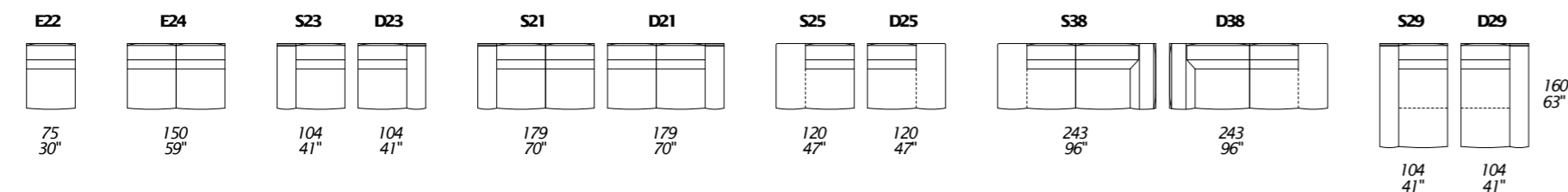
Technical sheet

EDWIN

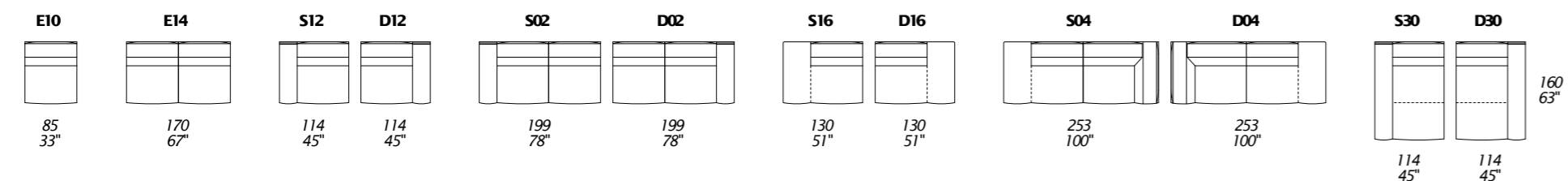
Design Giuseppe Viganò



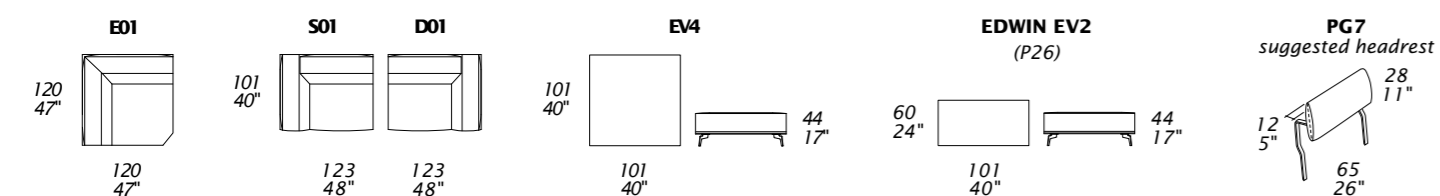
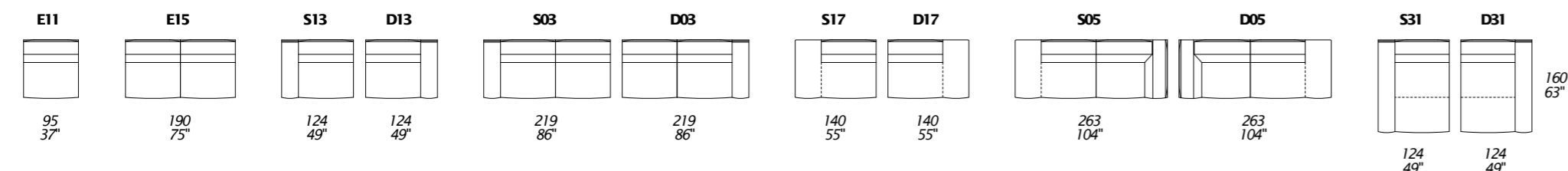
X all items in group X have the same seat width – tutti gli elementi del gruppo X hanno lo stesso modulo di seduta



Y all items in group Y have the same seat width – tutti gli elementi del gruppo Y hanno lo stesso modulo di seduta



J all items in group J have the same seat width – tutti gli elementi del gruppo J hanno lo stesso modulo di seduta

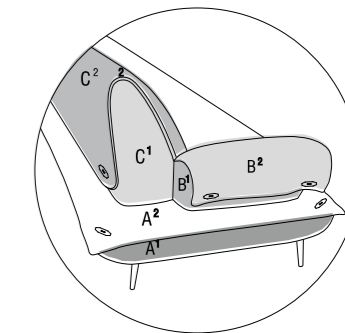
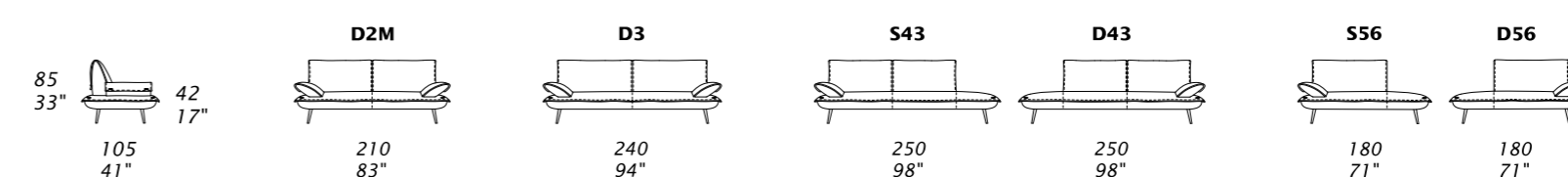


Dimensions: the first figure shows sizes in centimeters, the second in inches.
 Each piece is made by hand and has its own uniqueness. Measures may vary with a tolerance up to 3%.
 Mixing above groups (X - Y - J) will create sectionals with different seat widths.
 Corner pieces E01, S01 and D01 are odd pieces and can be used with all above groups X - Y - J.
 Seat depth 62 cm - 24".

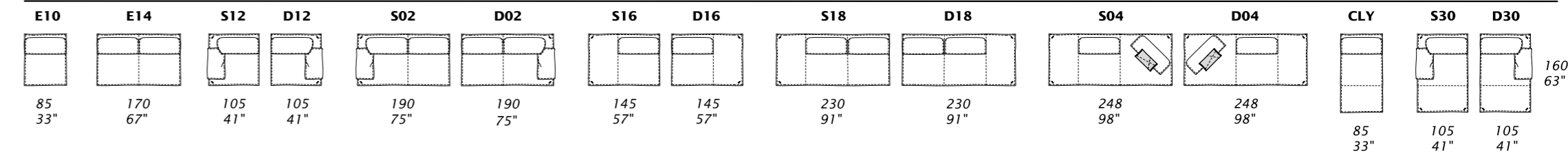
Technical sheet

ESCAPE

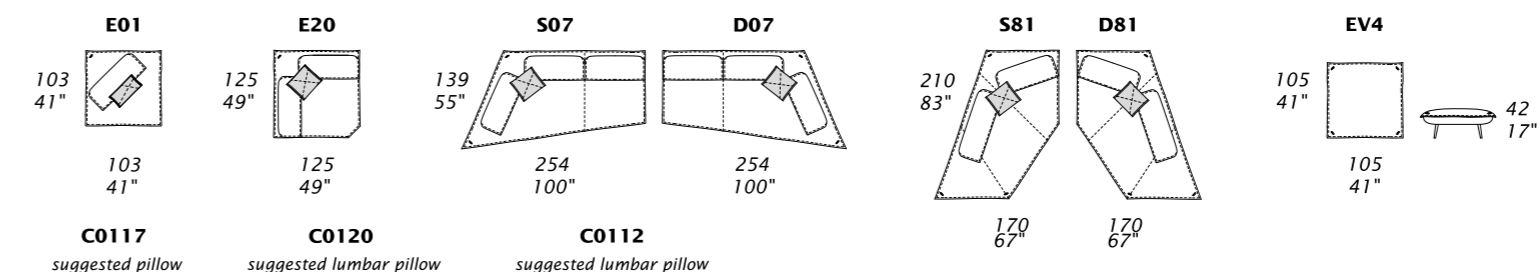
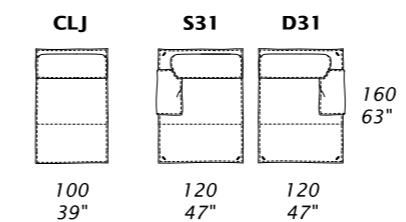
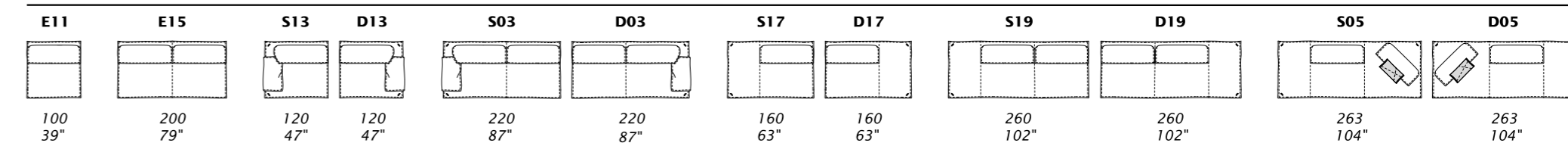
Design Giuseppe Viganò



Y all items in group Y have the same seat width – tutti gli elementi del gruppo Y hanno lo stesso modulo di seduta



J all items in group J have the same seat width – tutti gli elementi del gruppo J hanno lo stesso modulo di seduta



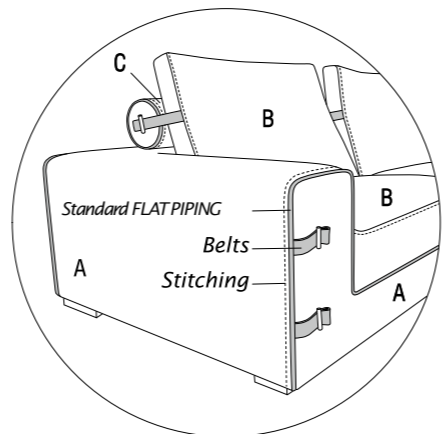
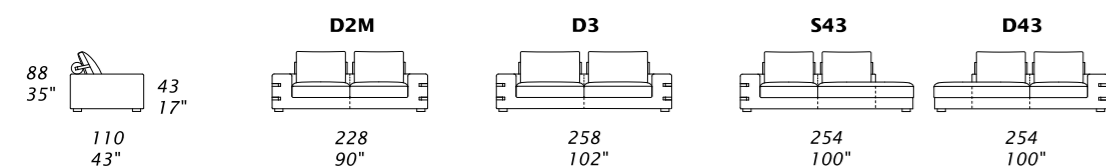
Dimensions: the first figure shows sizes in centimeters, the second in inches.
 Each piece is made by hand and has its own uniqueness. Measures may vary with a tolerance up to 3%.
 Mixing above groups (Y - J) will create sectionals with different seat widths.
 Corner pieces E01, E20, S07/D07 and S81/D81 are odd pieces and can be used with all above groups Y - J.
 Seat depth 65 cm - 26".

THE PART B OF THE PILLOWS IS AVAILABLE IN: CUC 501C AND CUC 510B SPECIAL STITCHINGS

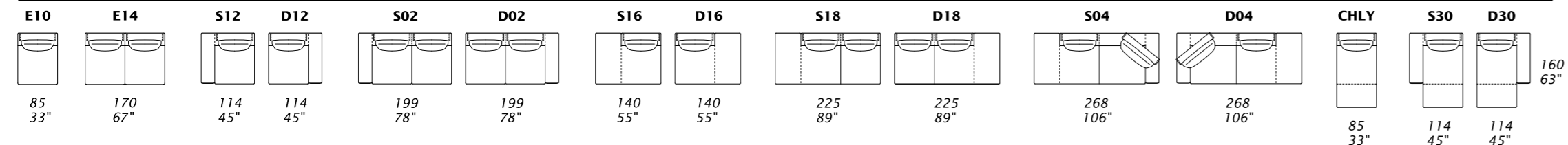
Technical sheet

GREGORY

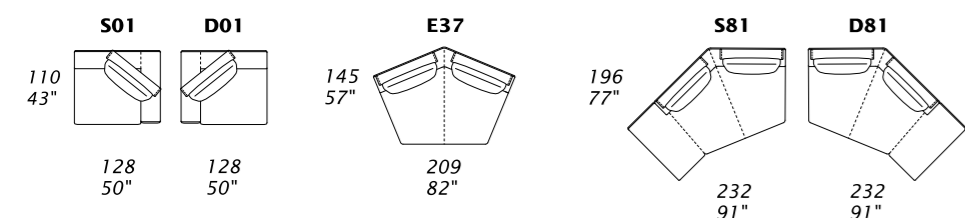
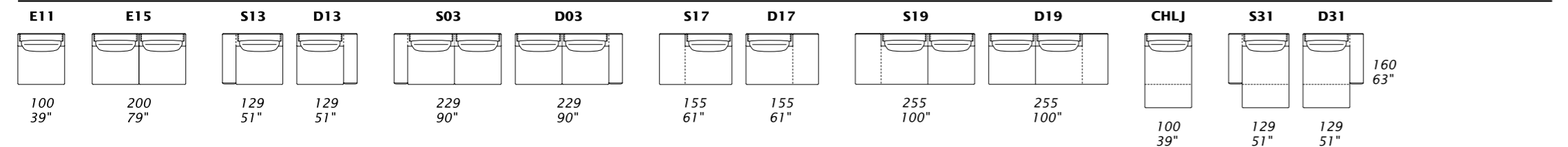
Design Giuseppe Viganò



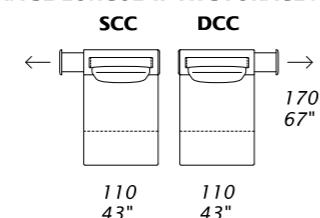
Y all items in group Y have the same seat width – tutti gli elementi del gruppo Y hanno lo stesso modulo di seduta



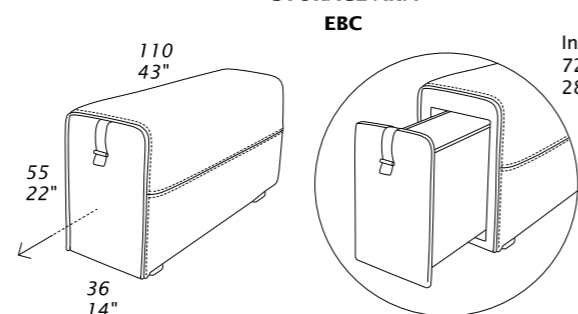
J all items in group J have the same seat width – tutti gli elementi del gruppo J hanno lo stesso modulo di seduta



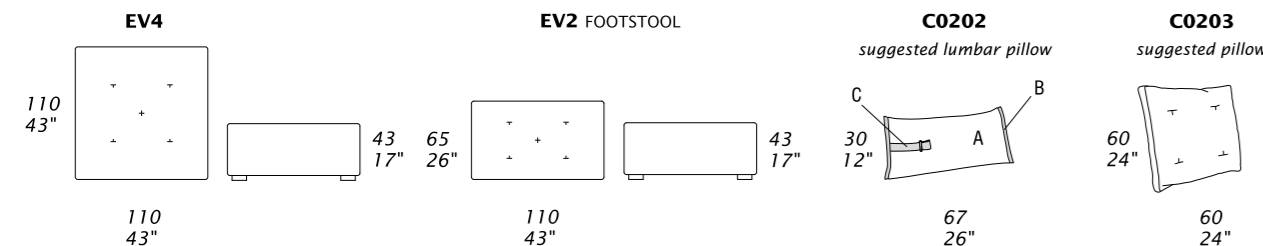
CHAISE LONGUE WITH STORAGE ARM



STORAGE ARM



Inner Dimensions:
72x18xH32,5 cm
28"x7"xH13"



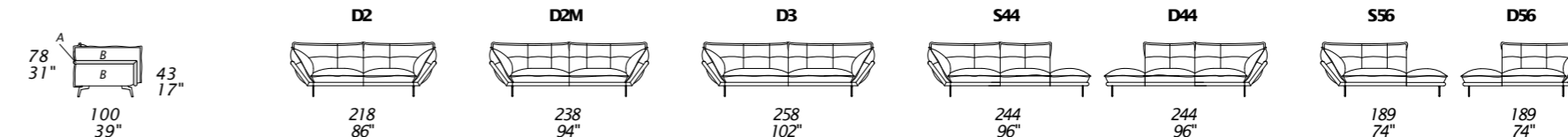
EV4, EV2 AND C0203 STANDARD WITH TUFTING

Dimensions: the first figure shows sizes in centimeters, the second in inches.
Each piece is made by hand and has its own uniqueness. Measures may vary with a tolerance up to 3%.
Mixing above groups (Y - J) will create sectionals with different seat widths.
Corner pieces S01/D01, E37 and S81/D81, SCC/DCC are odd pieces and can be used with all above group Y - J. Seat depth 68 cm - 27".

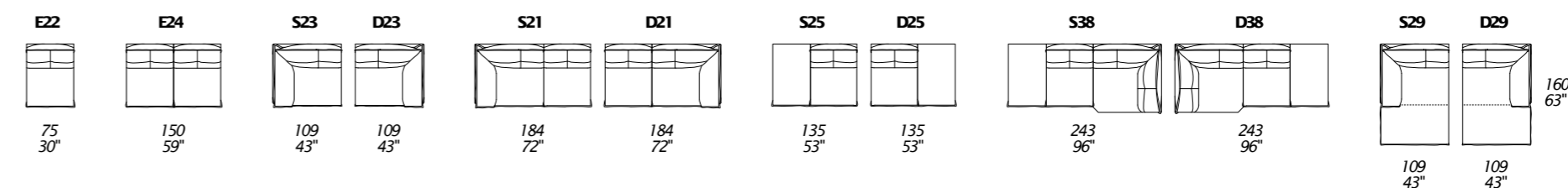
Technical sheet

HOLLYWOOD

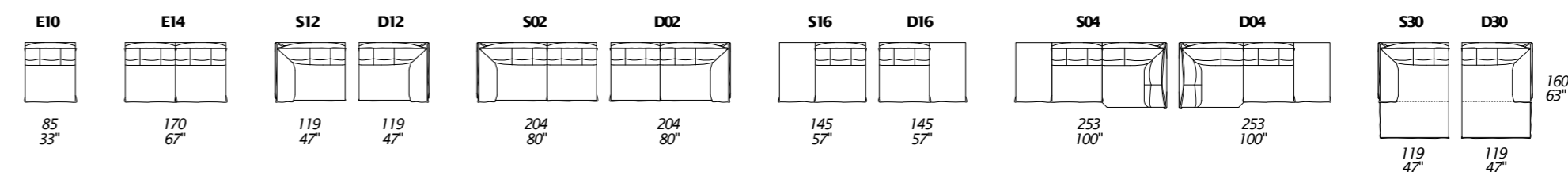
Design Giuseppe Viganò



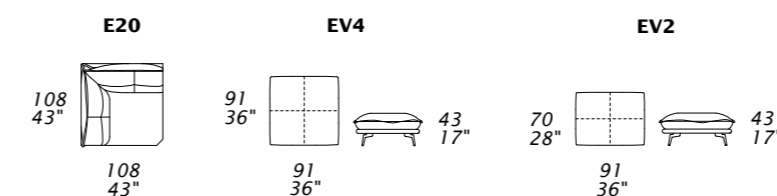
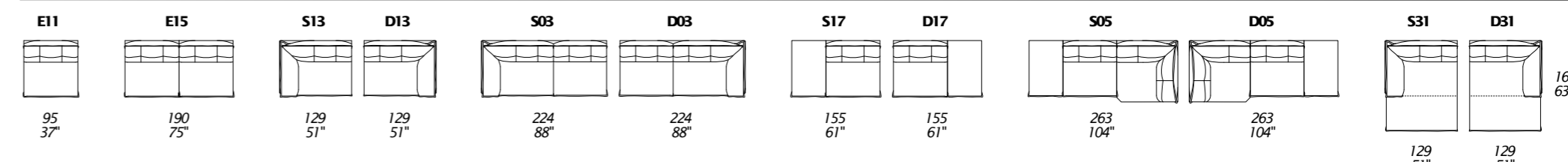
X all items in group X have the same seat width – tutti gli elementi del gruppo X hanno lo stesso modulo di seduta



Y all items in group Y have the same seat width – tutti gli elementi del gruppo Y hanno lo stesso modulo di seduta



J all items in group J have the same seat width – tutti gli elementi del gruppo J hanno lo stesso modulo di seduta

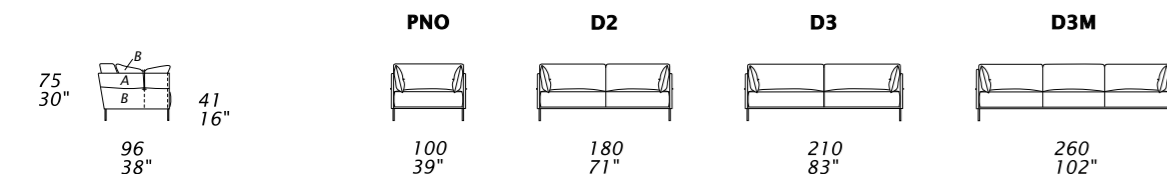


Dimensions: the first figure shows sizes in centimeters, the second in inches.
The soft rim (2,5 cm/1 inch) is not included in measures.
Each piece is made by hand and has its own uniqueness. Measures may vary with a tolerance up to 3%.
Mixing above groups (X - Y - J) will create sectionals with different seat widths.
Corner piece E20 is an odd piece and can be used with all above groups X - Y - J.
Seat depth 60 cm - 24".

Technical sheet

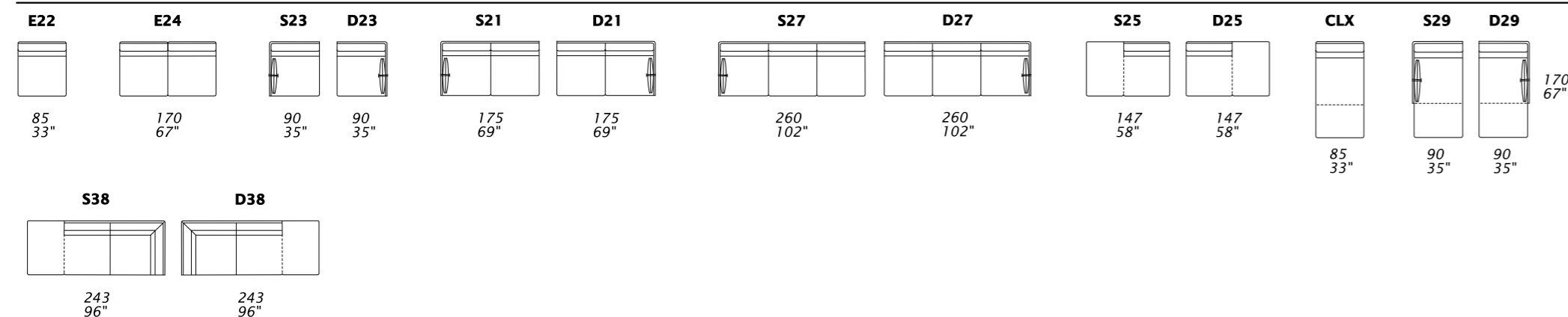
JACK

Design Giuseppe Viganò



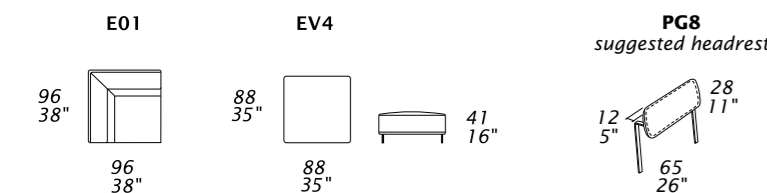
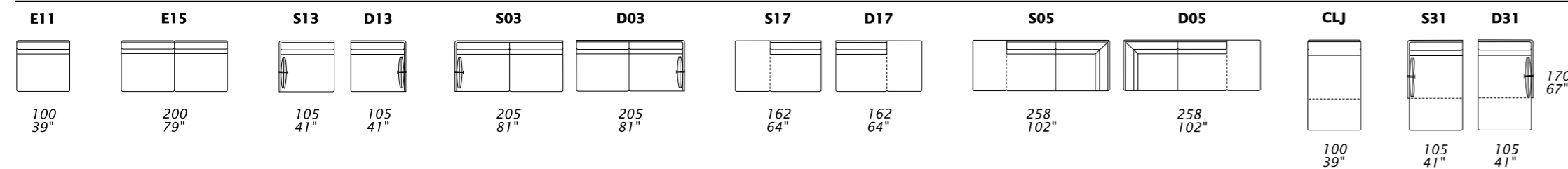
X

all items in group X have the same seat width – tutti gli elementi del gruppo X hanno lo stesso modulo di seduta



J

all items in group J have the same seat width – tutti gli elementi del gruppo J hanno lo stesso modulo di seduta

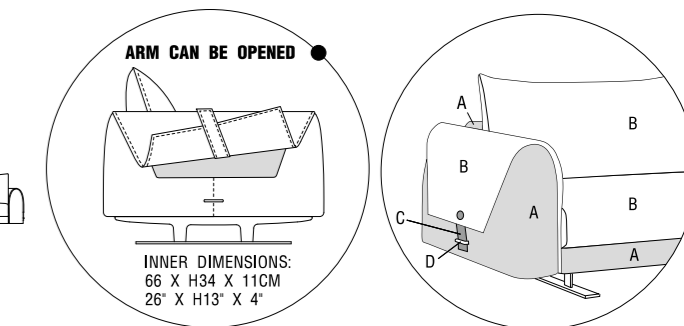
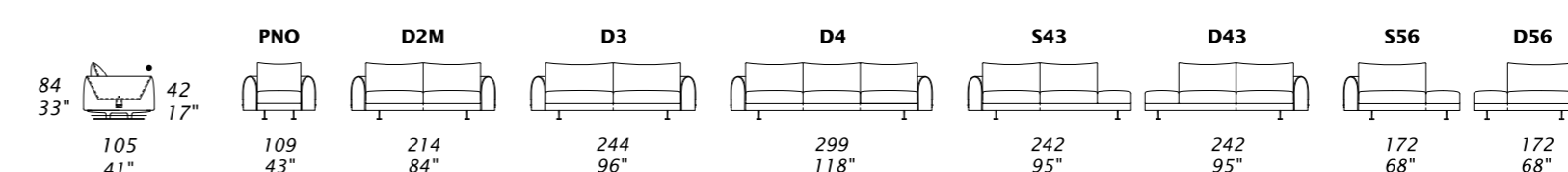


Dimensions: the first figure shows sizes in centimeters, the second in inches.
 Each piece is made by hand and has its own uniqueness. Measures may vary with a tolerance up to 3%.
 Mixing above groups (X - J) will create sectionals with different seat widths.
 Corner piece E01 is an odd piece and can be used with all above groups X - J.
 Seat depth 62 cm - 24".

Technical sheet

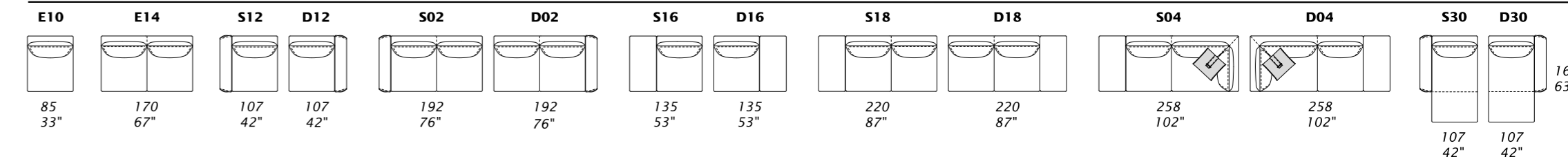
KARL

Design Giuseppe Viganò



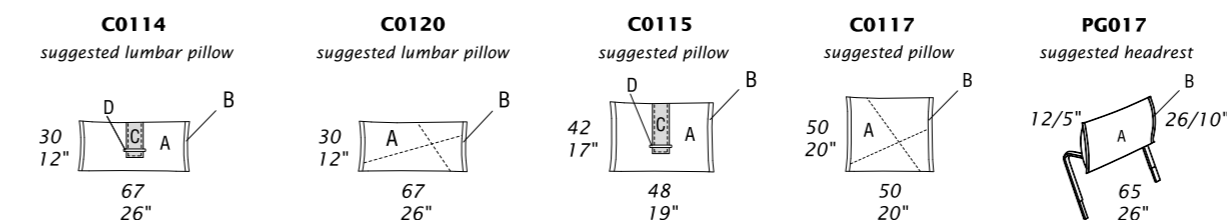
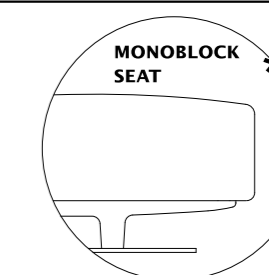
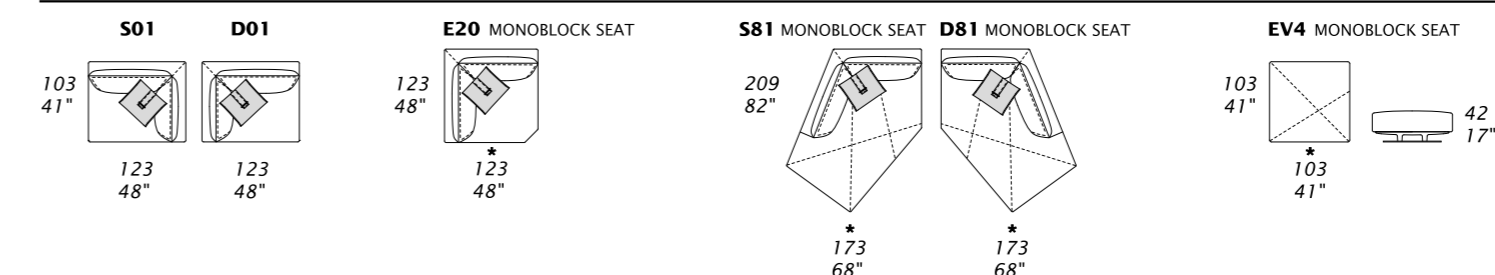
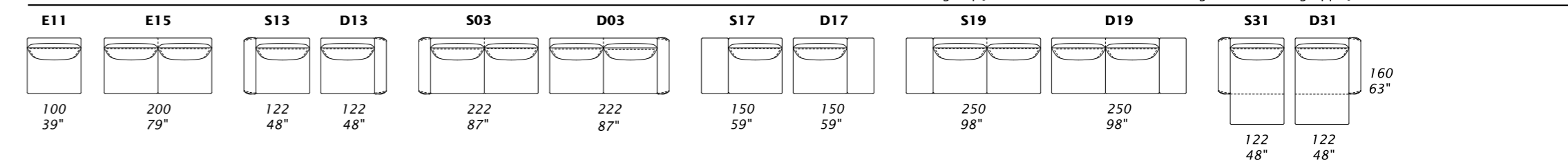
Y

all items in group Y have the same seat width – tutti gli elementi del gruppo Y hanno lo stesso modulo di seduta



J

all items in group J have the same seat width – tutti gli elementi del gruppo J hanno lo stesso modulo di seduta



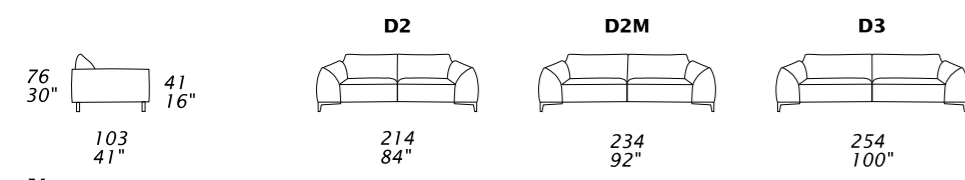
THE PART B OF THE PILLOWS IS AVAILABLE IN: CUC 501C AND CUC 510B SPECIAL STITCHINGS

Dimensions: the first figure shows sizes in centimeters, the second in inches.
 Each piece is made by hand and has its own uniqueness. Measures may vary with a tolerance up to 3%.
 Mixing above groups (Y - J) will create sectionals with different seat widths.
 Corner pieces S01/D01, E20 and S81/D81 are odd pieces and can be used with all above groups Y - J.
 Seat depth 60 cm - 24".

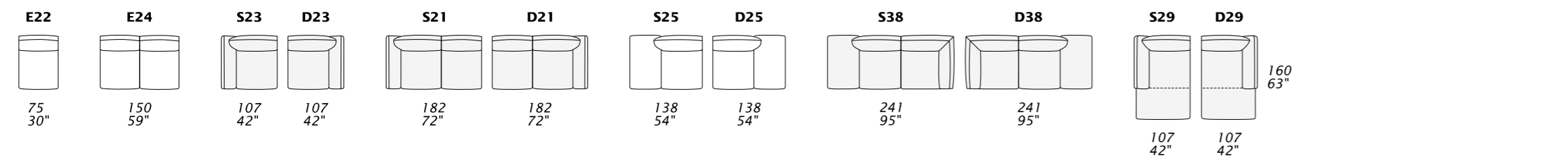
Technical sheet

KONG

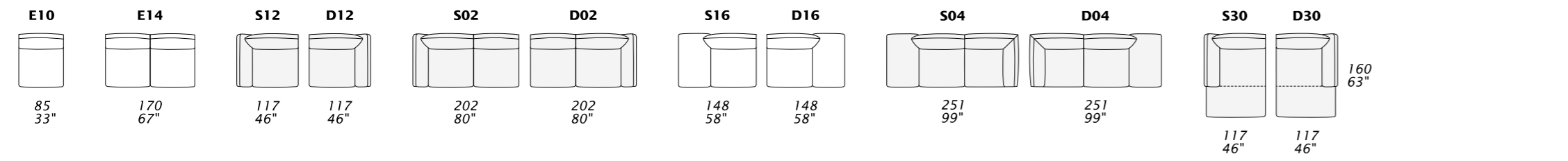
Design Giuseppe Viganò



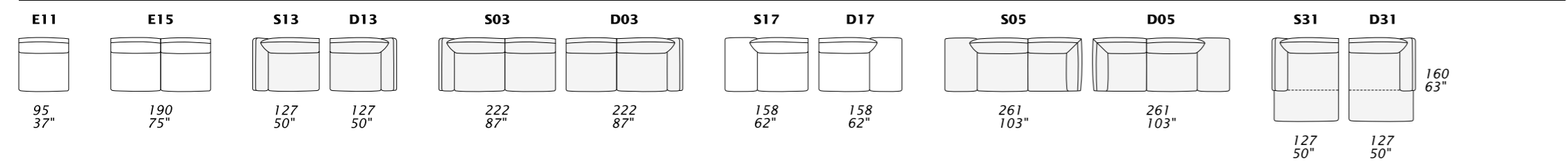
X all items in group X have the same seat width – tutti gli elementi del gruppo X hanno lo stesso modulo di seduta



Y all items in group Y have the same seat width – tutti gli elementi del gruppo Y hanno lo stesso modulo di seduta



J all items in group J have the same seat width – tutti gli elementi del gruppo J hanno lo stesso modulo di seduta



S56 259 102"

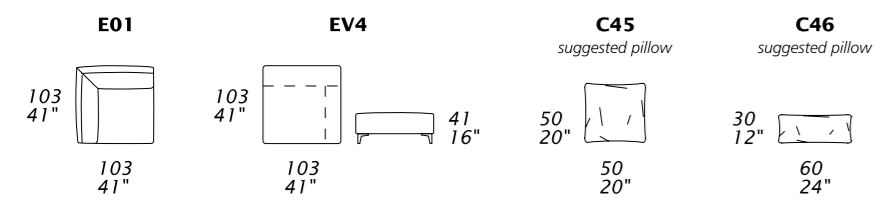
D56 259 102"

Standard back

Back cushions with wings

When the following sectional elements are ordered together with S56/D56, the back cushion will be produced with a wing on the side, as shown in the pricelist picture.

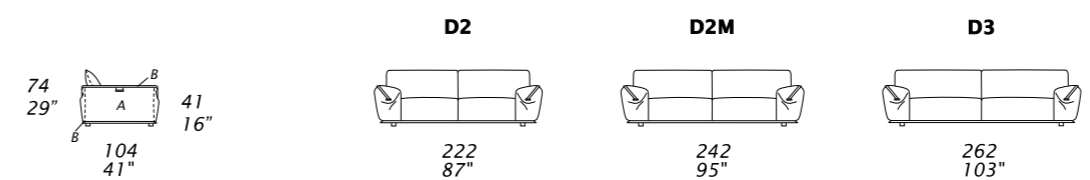
S/D23 - S/D21 - S/D38 - S/D29 - S/D12 - S/D02 - S/D04
S/D30 - S/D13 - S/D03 - S/D05 - S/D31



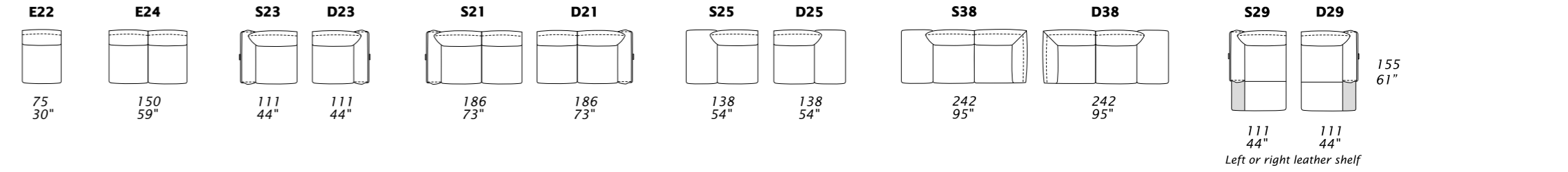
Dimensions: the first figure shows sizes in centimeters, the second in inches.
 Each piece is made by hand and has its own uniqueness. Measures may vary with a tolerance up to 3%.
 Mixing above groups (X - Y - J) will create sectionals with different seat widths.
 Corner piece E01 is an odd piece and can be used with all above groups X - Y - J.
 Seat depth 64 cm - 25".

LIMOUSINE

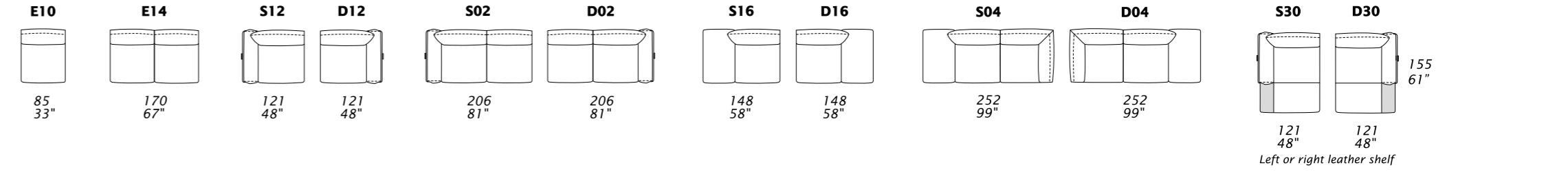
Design Giuseppe Viganò



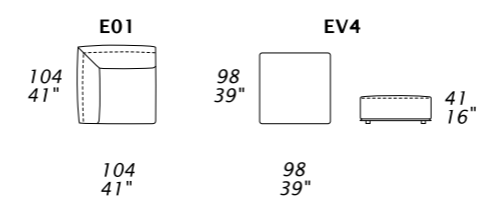
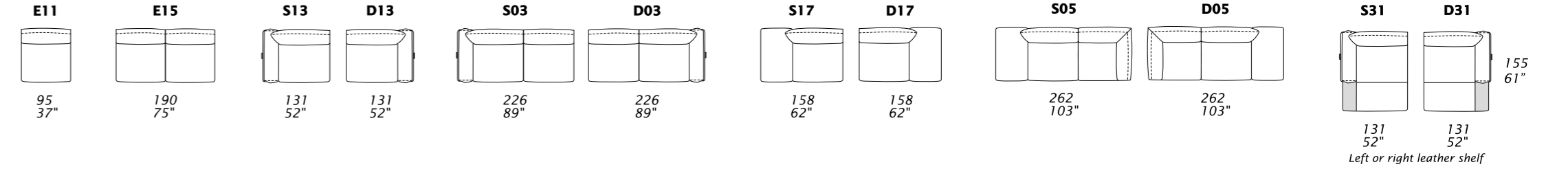
X all items in group X have the same seat width – tutti gli elementi del gruppo X hanno lo stesso modulo di seduta



Y all items in group Y have the same seat width – tutti gli elementi del gruppo Y hanno lo stesso modulo di seduta



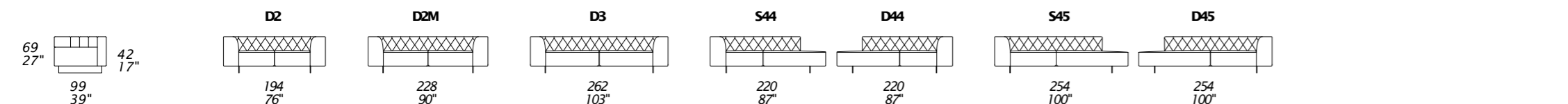
J all items in group J have the same seat width – tutti gli elementi del gruppo J hanno lo stesso modulo di seduta



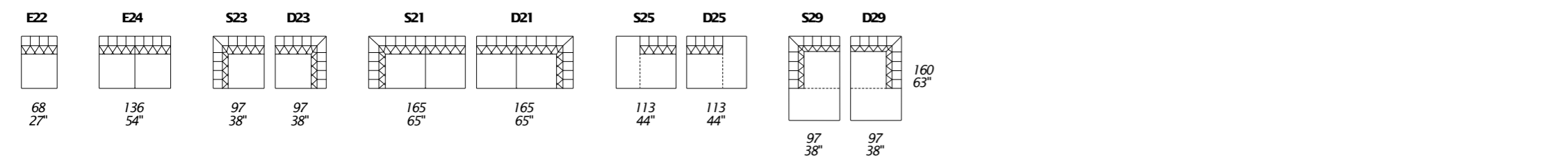
Dimensions: the first figure shows sizes in centimeters, the second in inches.
 Each piece is made by hand and has its own uniqueness. Measures may vary with a tolerance up to 3%.
 Mixing above groups (X - Y - J) will create sectionals with different seat widths.
 Corner piece E01 is an odd piece and can be used with all above groups X - Y - J.
 Seat depth 64 cm - 25".

MARLON

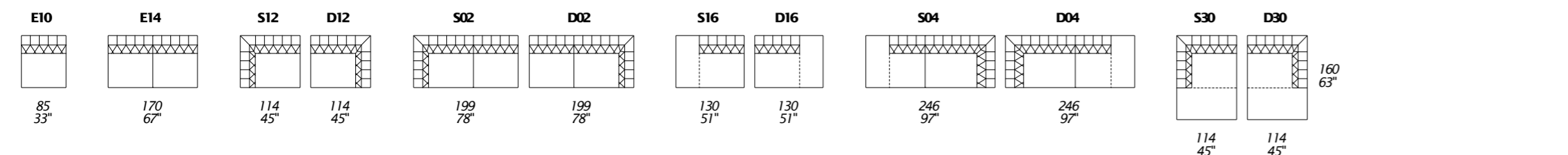
Design Giuseppe Viganò



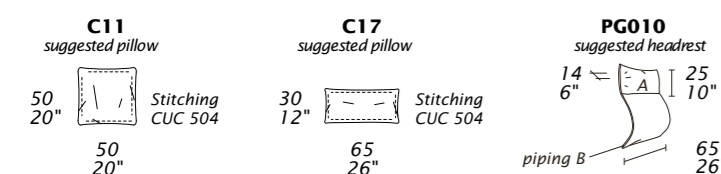
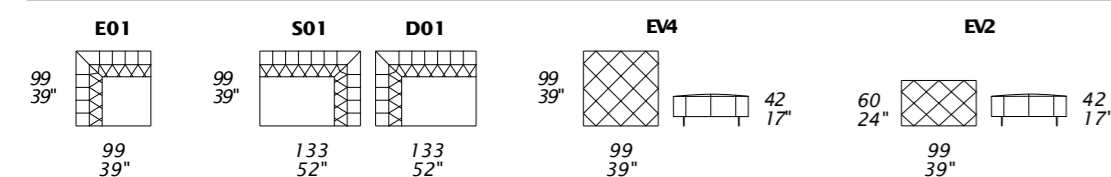
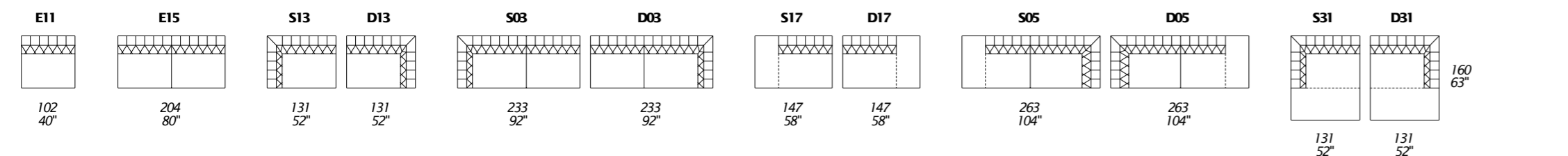
X all items in group X have the same seat width – tutti gli elementi del gruppo X hanno lo stesso modulo di seduta



Y all items in group Y have the same seat width – tutti gli elementi del gruppo Y hanno lo stesso modulo di seduta



J all items in group J have the same seat width – tutti gli elementi del gruppo J hanno lo stesso modulo di seduta

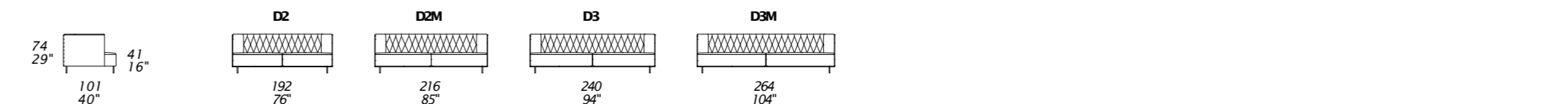


Dimensions: the first figure shows sizes in centimeters, the second in inches.
 Each piece is made by hand and has its own uniqueness. Measures may vary with a tolerance up to 3%.
 Mixing above groups (X - Y - J) will create sectionals with different seat widths.
 Corner pieces E01, S01/D01 are odd pieces and can be used with all above groups X - Y - J.
 Seat depth 65 cm - 26".

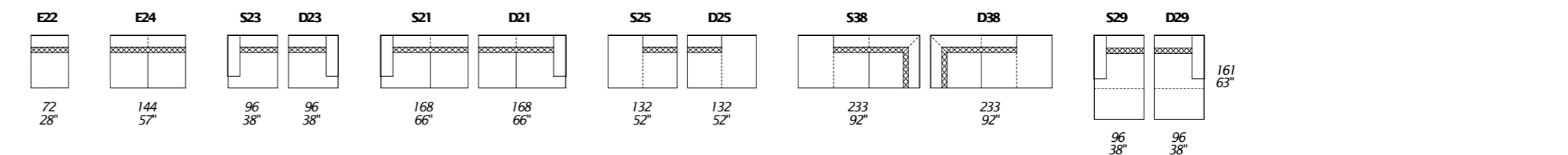
Technical sheet

McQUEEN

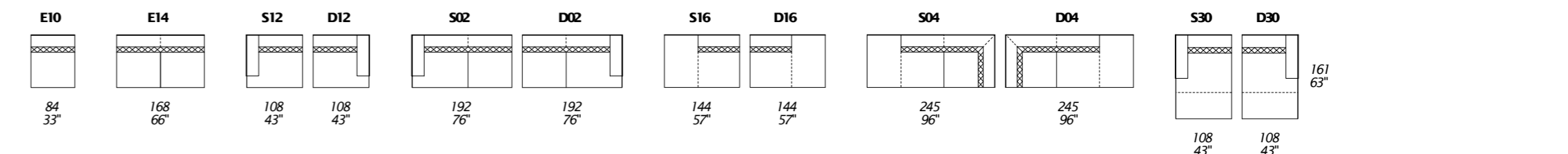
Design Giuseppe Viganò



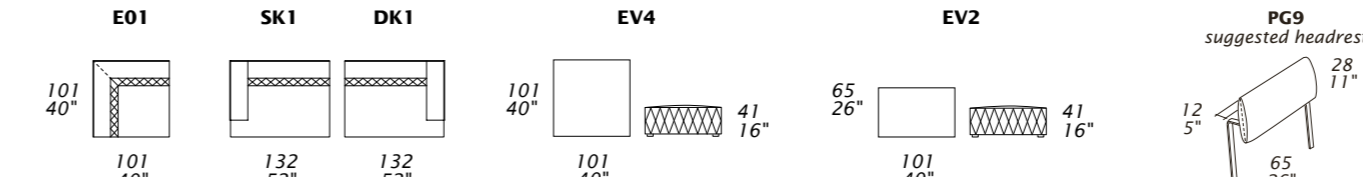
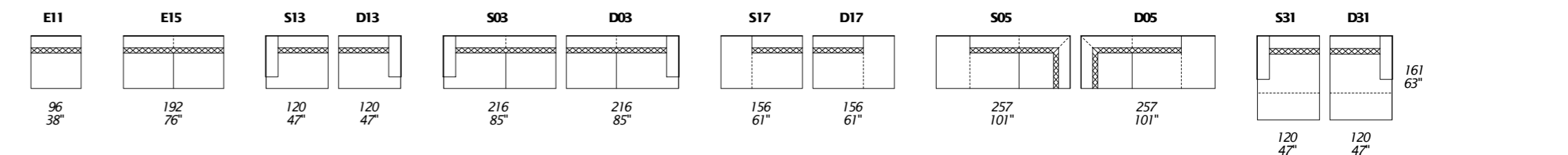
X all items in group X have the same seat width – tutti gli elementi del gruppo X hanno lo stesso modulo di seduta



Y all items in group Y have the same seat width – tutti gli elementi del gruppo Y hanno lo stesso modulo di seduta



J all items in group J have the same seat width – tutti gli elementi del gruppo J hanno lo stesso modulo di seduta

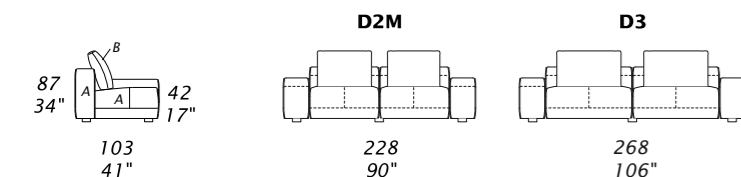


Dimensions: the first figure shows sizes in centimeters, the second in inches.
 Each piece is made by hand and has its own uniqueness. Measures may vary with a tolerance up to 3%.
 Mixing above groups (X - Y - J) will create sectionals with different seat widths.
 Corner piece E01 is an odd piece and can be used with all above groups X - Y - J.
 Seat depth 63 cm - 25".

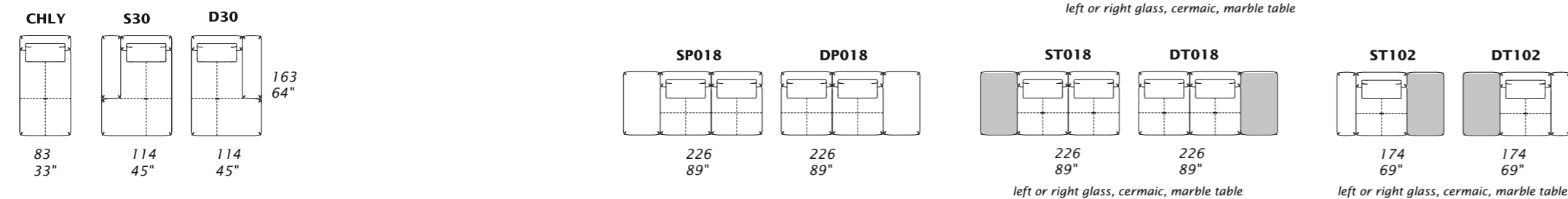
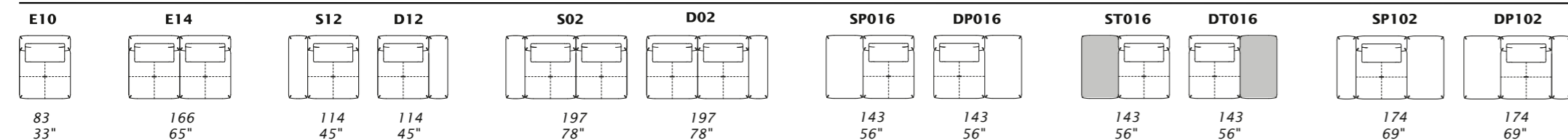
Technical sheet

PUZZLE

Design Giuseppe Viganò



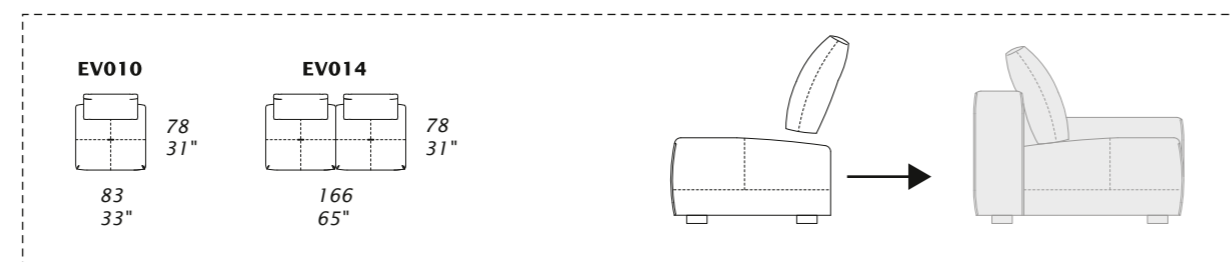
Y all items in group Y have the same seat width – tutti gli elementi del gruppo Y hanno lo stesso modulo di seduta



EVY SECTIONAL CENTRAL AND FREESTANDING ELEMENT



ELEMENTS WITHOUT BACK FRAME



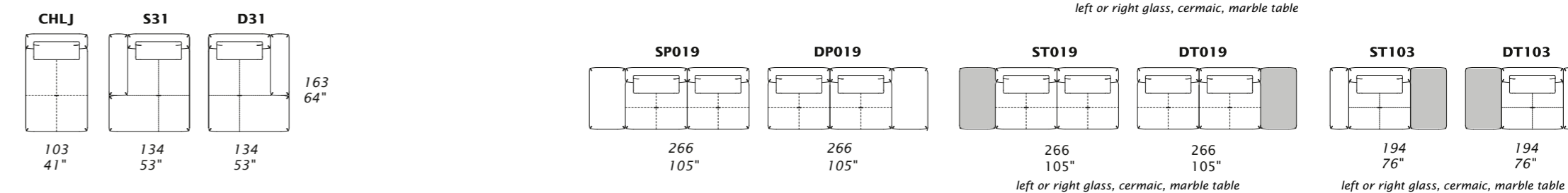
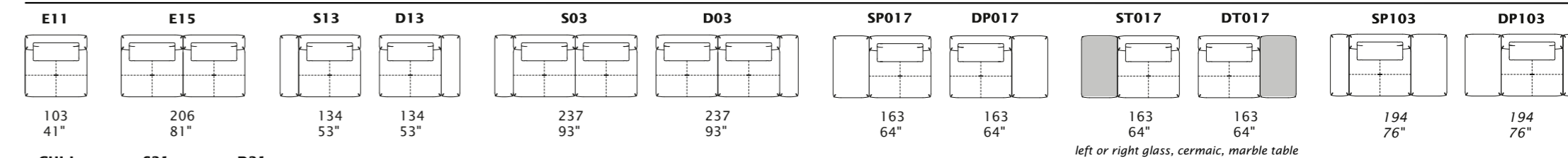
Dimensions: the first figure shows sizes in centimeters, the second in inches.
Each piece is made by hand and has its own uniqueness. Measures may vary with a tolerance up to 3%.
Mixing above groups (Y - J) will create sectionals with different seat widths.
Corner pieces S01/D01 are odd pieces and can be used with all above groups Y - J.
Seat depth 57 cm - 22".

Technical sheet

PUZZLE

Design Giuseppe Viganò

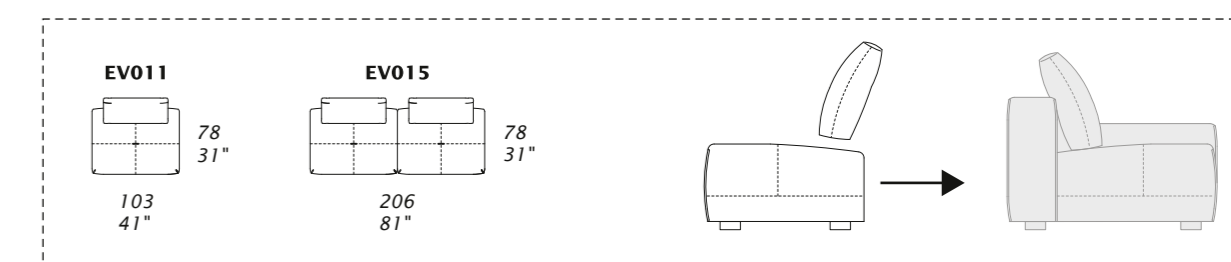
J all items in group J have the same seat width – tutti gli elementi del gruppo J hanno lo stesso modulo di seduta



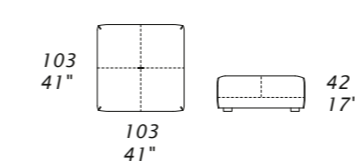
EVJ SECTIONAL CENTRAL AND FREESTANDING ELEMENT



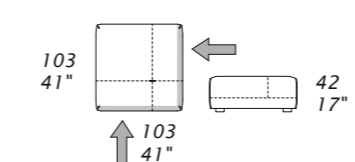
ELEMENTS WITHOUT BACK FRAME



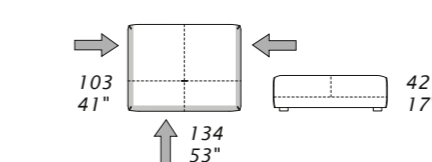
EV4 FREESTANDING



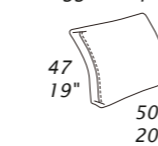
EV5 SECTIONAL CORNER ELEMENT



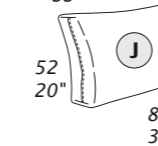
EV7 SECTIONAL CENTRAL AND CORNER ELEMENT



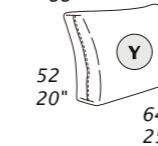
C0123 suggested pillow



C0124 suggested back cushion



C0125 suggested back cushion

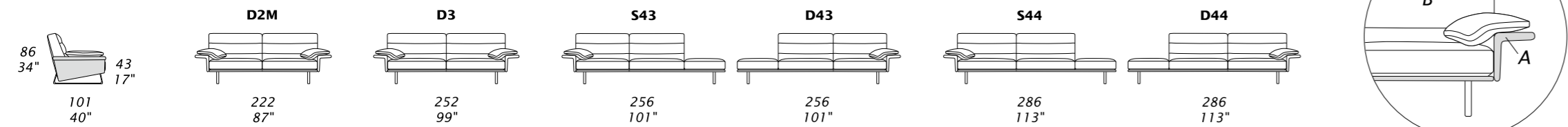


Dimensions: the first figure shows sizes in centimeters, the second in inches.
Each piece is made by hand and has its own uniqueness. Measures may vary with a tolerance up to 3%.
Mixing above groups (Y - J) will create sectionals with different seat widths.
Corner pieces S01/D01 are odd pieces and can be used with all above groups Y - J.
Seat depth 57 cm - 22".

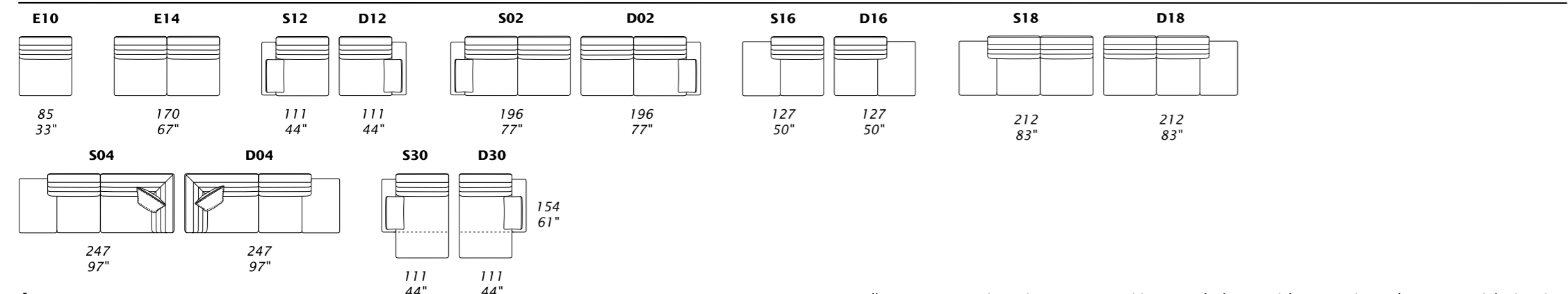
Technical sheet

RENEGADE

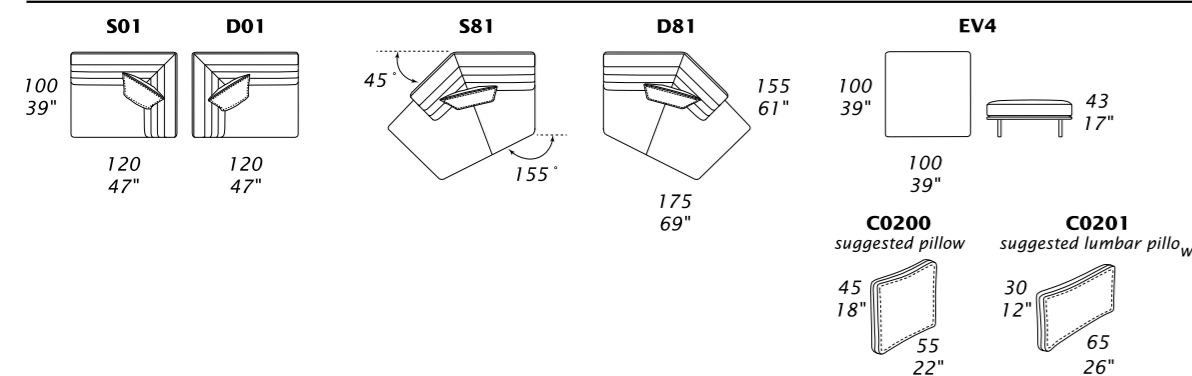
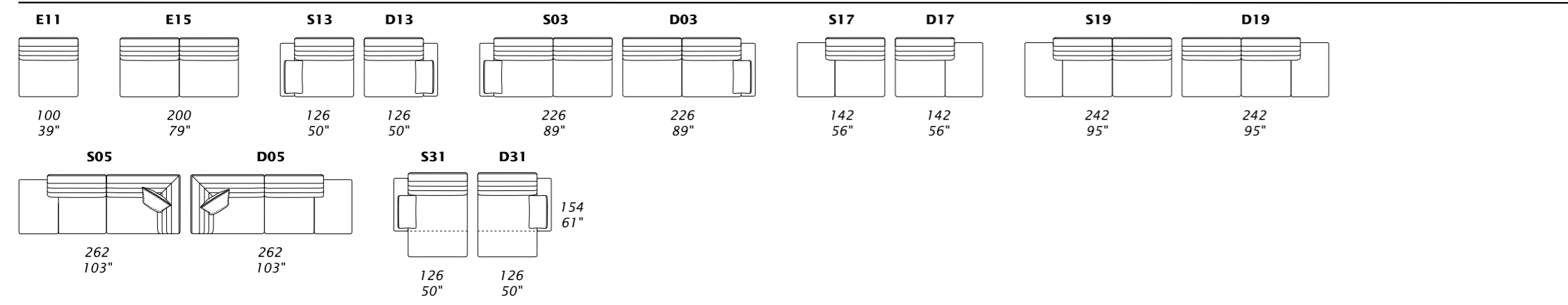
Design Giuseppe Viganò



Y all items in group Y have the same seat width – tutti gli elementi del gruppo Y hanno lo stesso modulo di seduta



J all items in group J have the same seat width – tutti gli elementi del gruppo J hanno lo stesso modulo di seduta

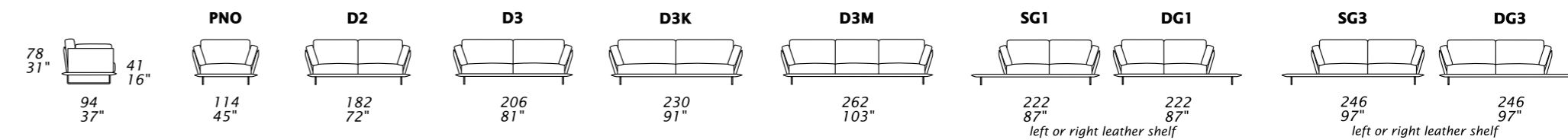


Dimensions: the first figure shows sizes in centimeters, the second in inches.
 Each piece is made by hand and has its own uniqueness. Measures may vary with a tolerance up to 3%.
 Mixing above groups (Y - J) will create sectionals with different seat widths.
 Corner pieces S01/D01 and S81/D81 are odd pieces and can be used with all above groups Y - J.
 Seat depth 62 cm - 24".

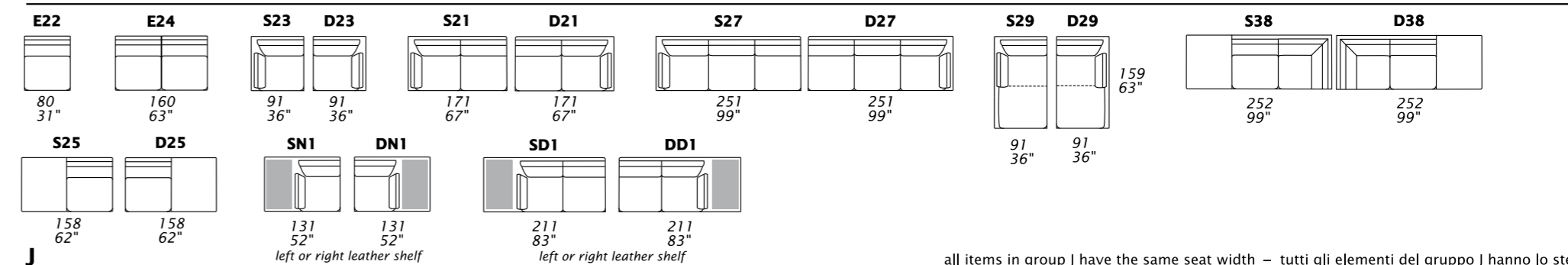
Technical sheet

VESSEL

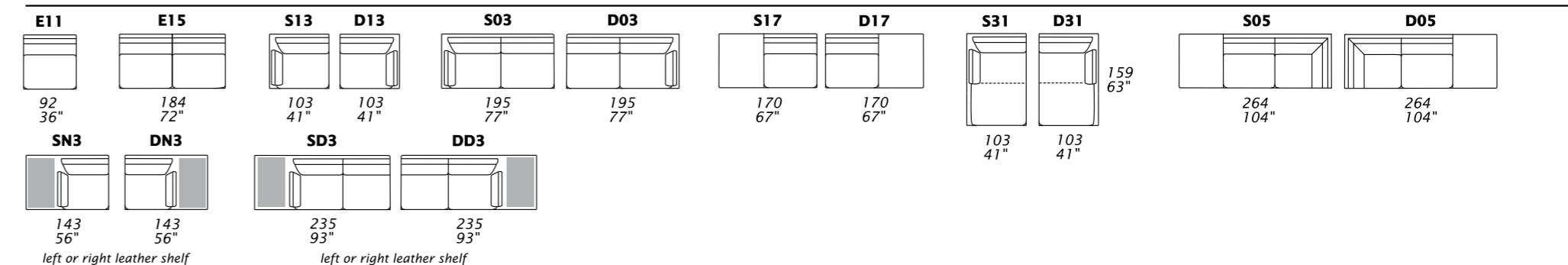
Design Giuseppe Viganò



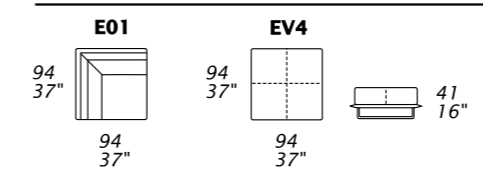
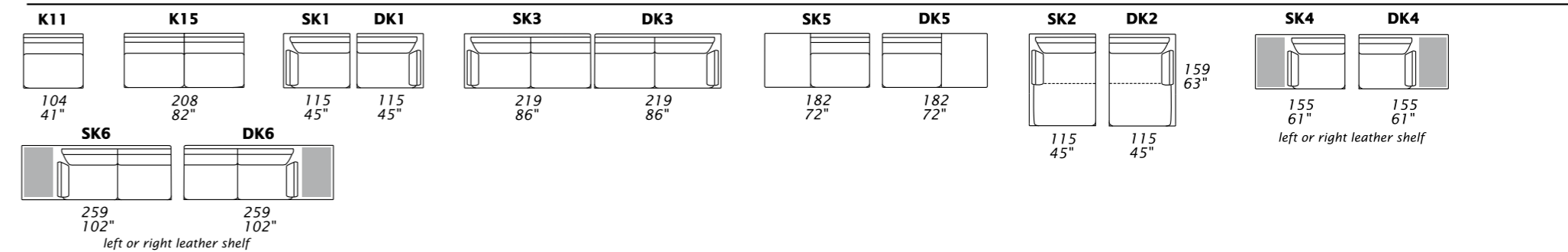
X all items in group X have the same seat width – tutti gli elementi del gruppo X hanno lo stesso modulo di seduta



J all items in group J have the same seat width – tutti gli elementi del gruppo J hanno lo stesso modulo di seduta



K all items in group K have the same seat width – tutti gli elementi del gruppo K hanno lo stesso modulo di seduta



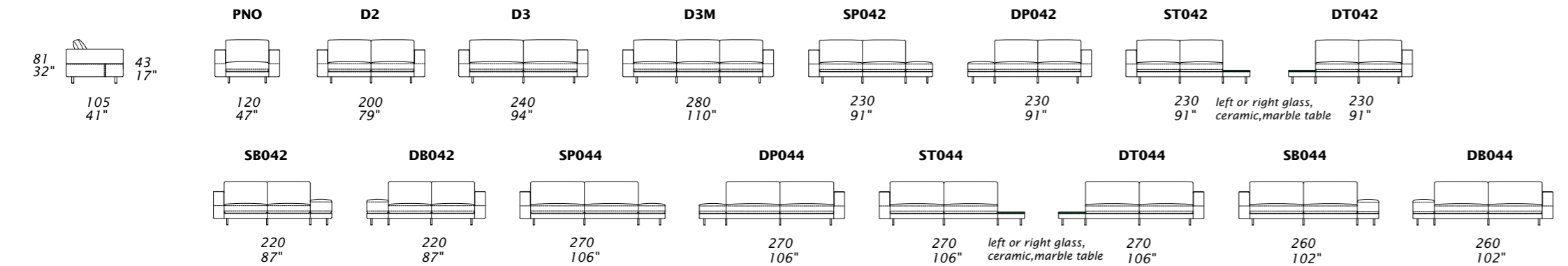
Dimensions: the first figure shows sizes in centimeters, the second in inches.
 Each piece is made by hand and has its own uniqueness. Measures may vary with a tolerance up to 3%.
 Mixing above groups (X - J - K) will create sectionals with different seat widths.
 Corner piece E01 is an odd piece and can be used with all above groups X - J - K.
 Seat depth 60 cm - 24".

Technical sheet

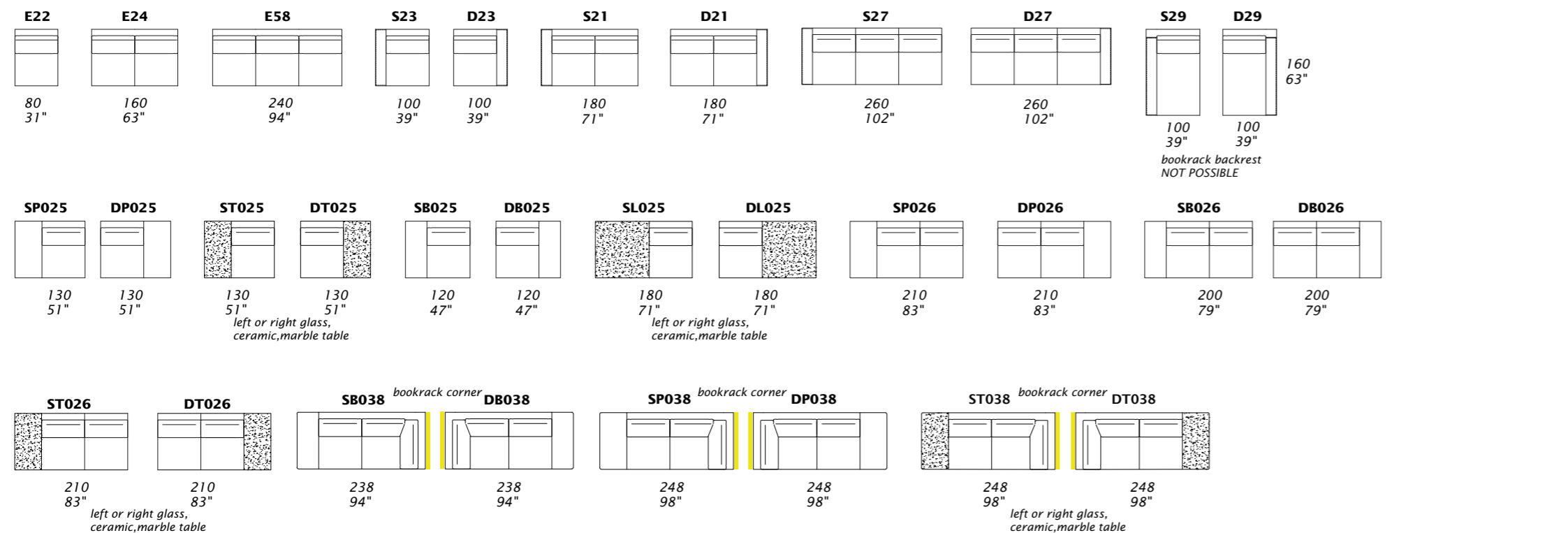
VINCENT

Design Giuseppe Viganò

NOTES: - AVAILABLE WITH BOOKRACK BACKREST
 - AVAILABLE ONLY WITH FIXED STANDARD UPHOLSTERED ARMREST
 - FOR SOFAS WITH BOOKRACK ARMREST, PROCEED BY USING THE MODULES BELONGING TO FAMILY GROUP "X" or "J"



X all items in group X have the same seat width – tutti gli elementi del gruppo X hanno lo stesso modulo di seduta

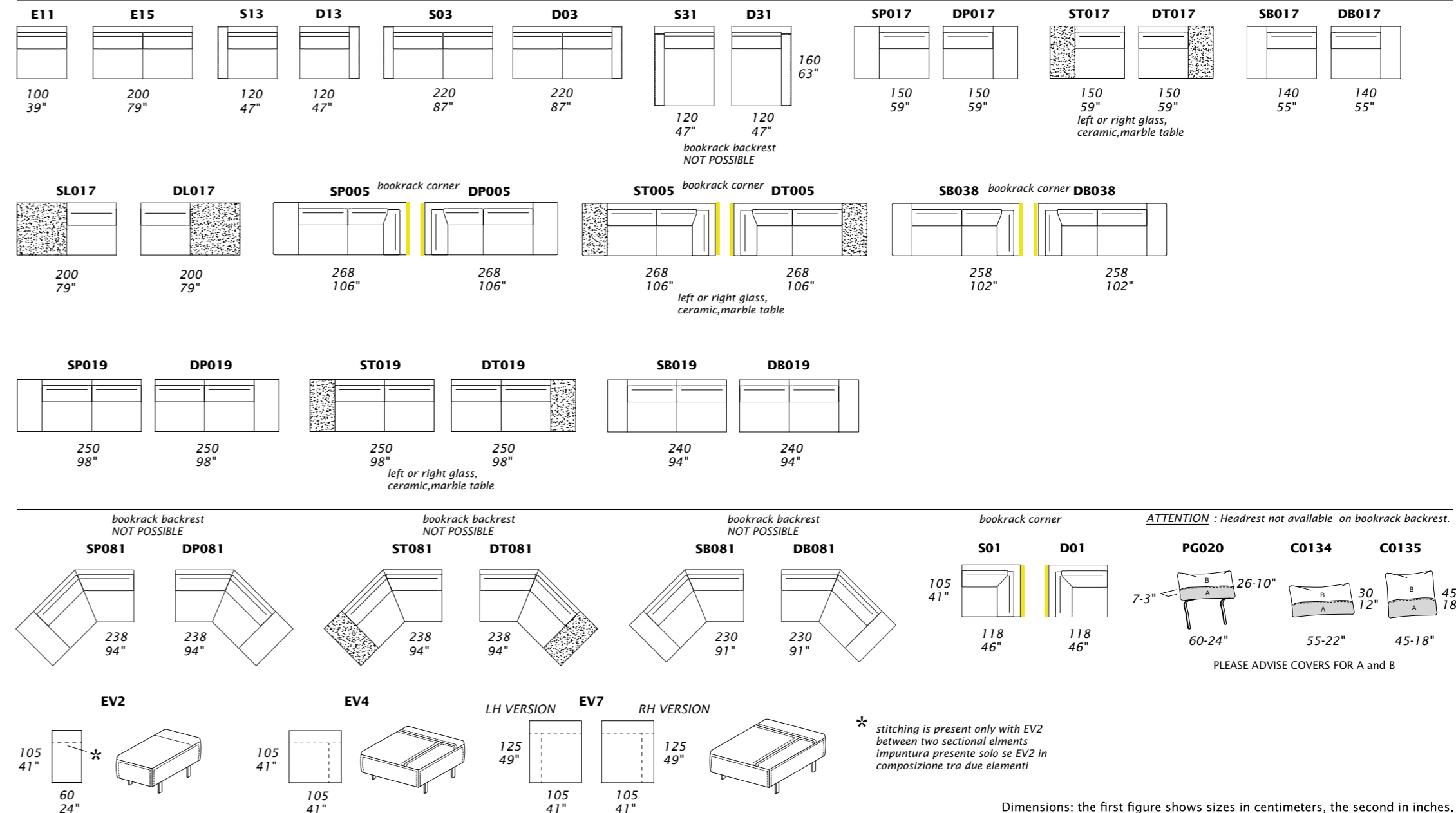


Dimensions: the first figure shows sizes in centimeters, the second in inches.
 Each piece is made by hand and has its own uniqueness. Measures may vary with a tolerance up to 3%.
 Mixing above groups (X - J) will create sectionals with different seat widths.
 Corner pieces S01-D01 and S/DP081, S/DT081 and S/DB081 are odd pieces and can be used with all above groups X - J.
 Seat depth 60 cm - 24".

VINCENT

Design Giuseppe Viganò

J all items in group J have the same seat width – tutti gli elementi del gruppo J hanno lo stesso modulo di seduta

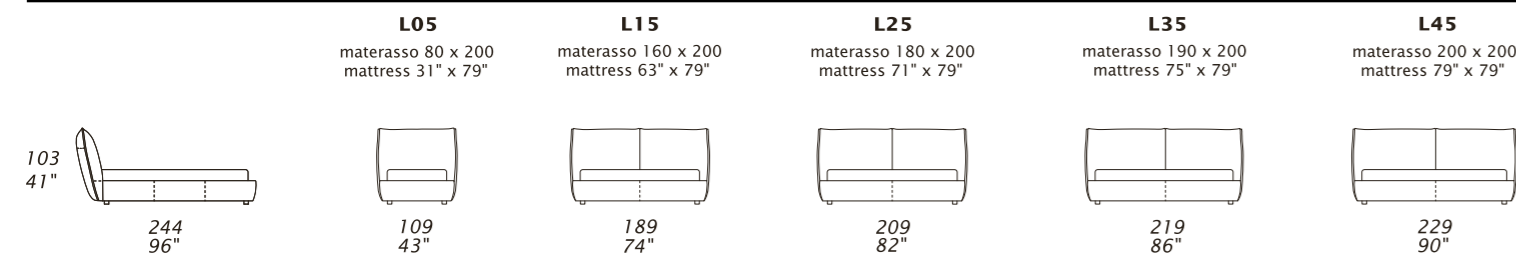


Dimensions: the first figure shows sizes in centimeters, the second in inches.
 Each piece is made by hand and has its own uniqueness. Measures may vary with a tolerance up to 3%.
 Mixing above groups (X - J) will create sectionals with different seat widths.
 Corner pieces S01-D01 and S/DP081, S/DT081 and S/DB081 are odd pieces and can be used with all above groups X - J.
 Seat depth 60 cm - 24".

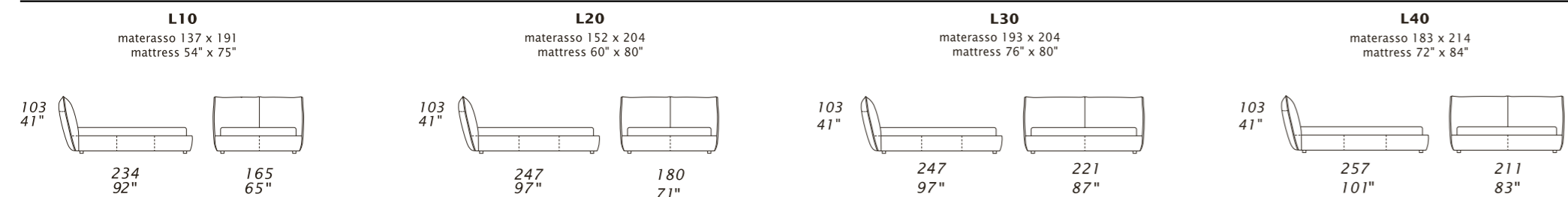
COCOON NIGHT

Design Giuseppe Viganò

EUROPEAN SIZES



AMERICAN SIZES



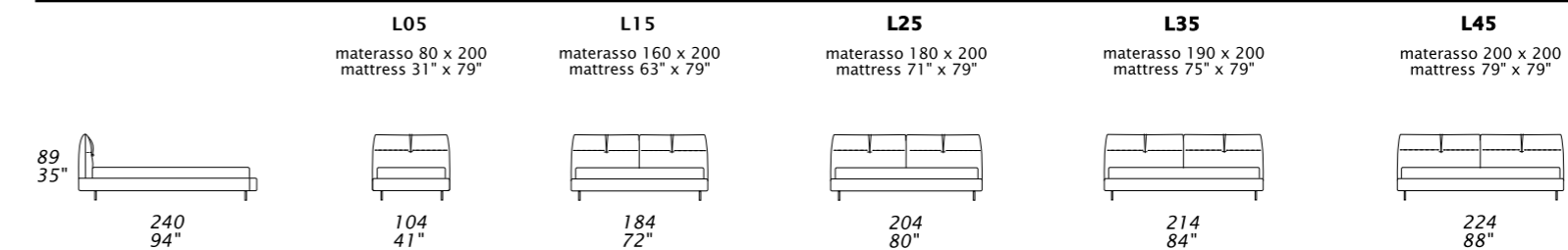
Dimensions: the first figure shows sizes in centimeters, the second in inches.
Each piece is made by hand and has its own uniqueness. Measures may vary with a tolerance up to 3%.
Base height 35 cm - 14".
Wood legs, height 6 cm - 2".

Technical sheet

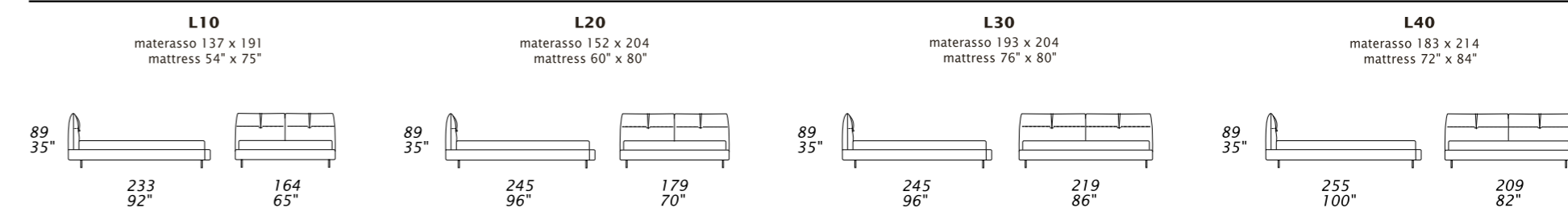
JACK NIGHT

Design Giuseppe Viganò

EUROPEAN SIZES



AMERICAN SIZES

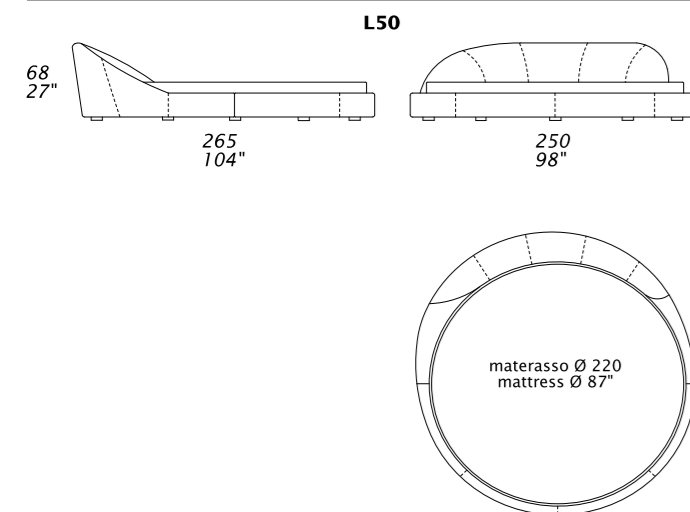


Dimensions: the first figure shows sizes in centimeters, the second in inches.
Each piece is made by hand and has its own uniqueness. Measures may vary with a tolerance up to 3%.
Base height 27 cm - 11".
Metal legs, height 15 cm - 6".

Technical sheet

JAZZ NIGHT

Design Giuseppe Viganò



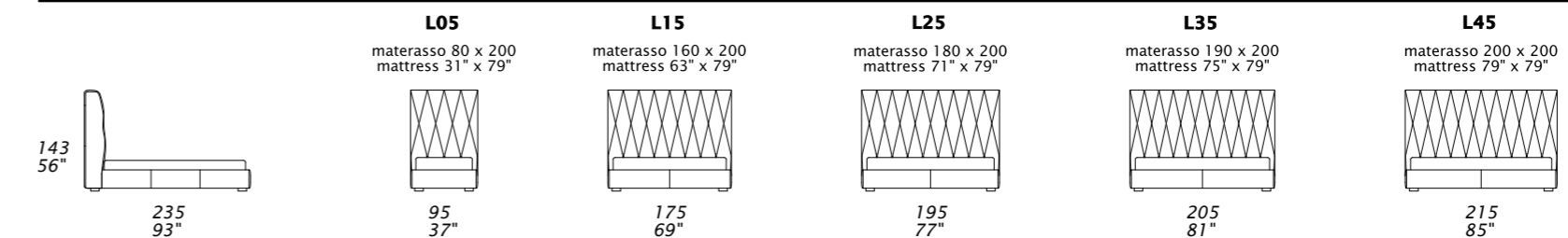
Dimensions: the first figure shows sizes in centimeters, the second in inches.
Each piece is made by hand and has its own uniqueness. Measures may vary with a tolerance up to 3%.
Base height 25 cm - 10".
Wood legs, height 4 cm - 1" 1/2.

Technical sheet

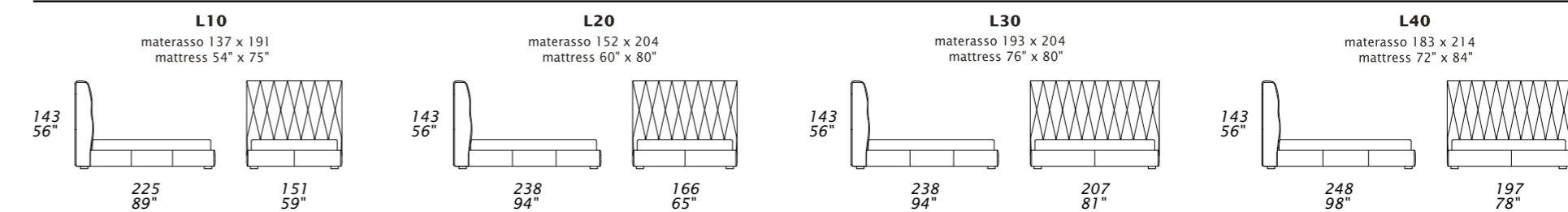
MARLON NIGHT

Design Giuseppe Viganò

EUROPEAN SIZES



AMERICAN SIZES



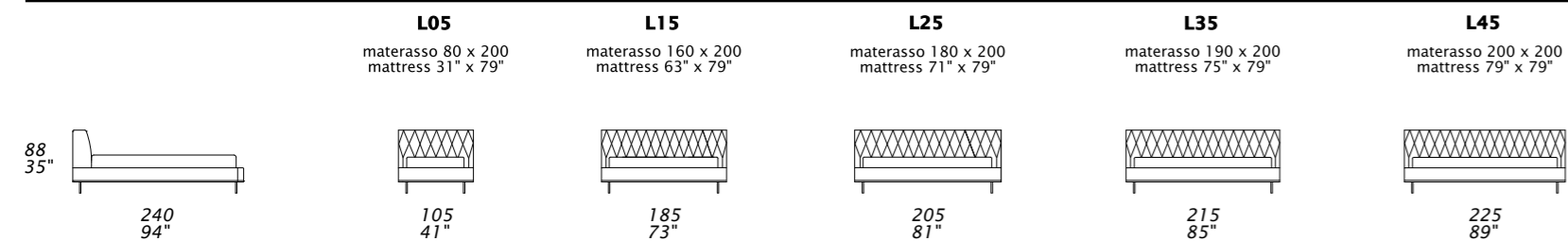
Dimensions: the first figure shows sizes in centimeters, the second in inches.
Each piece is made by hand and has its own uniqueness. Measures may vary with a tolerance up to 3%.
Base height 30 cm - 12".
Wood legs, height 4 cm - 1" 1/2.

Technical sheet

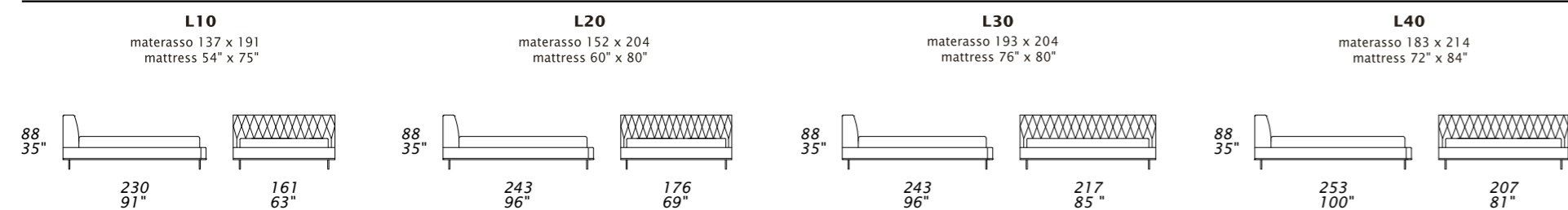
McQUEEN NIGHT

Design Giuseppe Viganò

EUROPEAN SIZES



AMERICAN SIZES



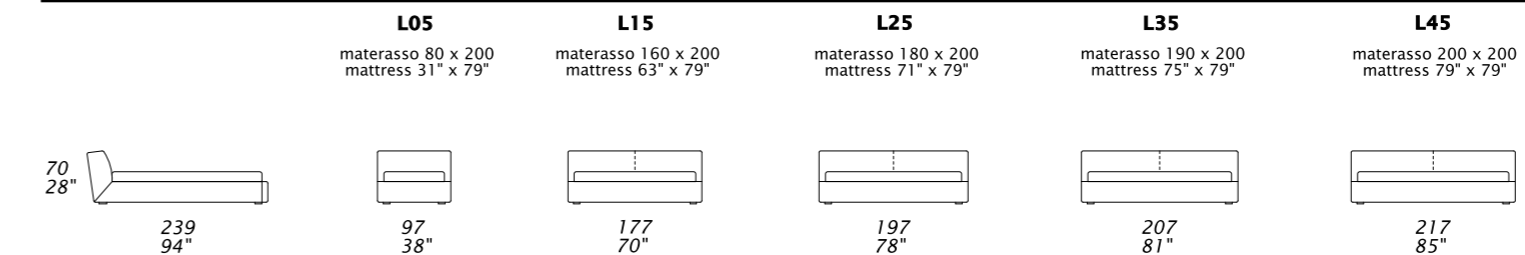
Dimensions: the first figure shows sizes in centimeters, the second in inches.
Each piece is made by hand and has its own uniqueness. Measures may vary with a tolerance up to 3%.
Base height 31 cm - 12".
Metal legs, height 14 cm - 6".
Metal legs available in all customizing finishes

Technical sheet

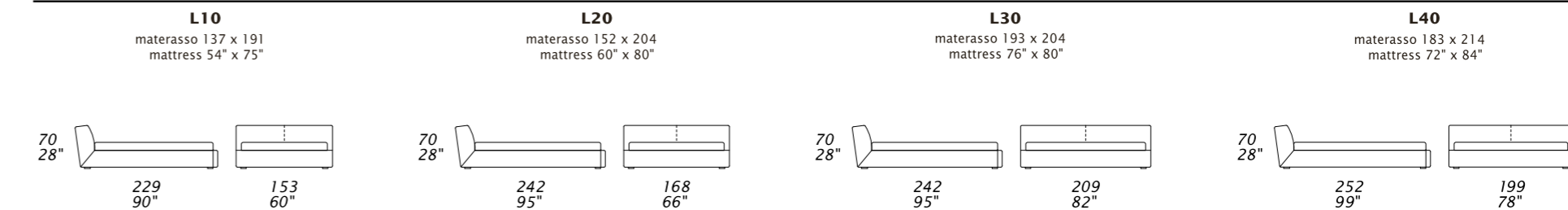
OXER NIGHT

Design Giuseppe Viganò

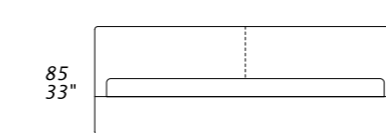
EUROPEAN SIZES



AMERICAN SIZES



TALL HEADBOARD VERSION

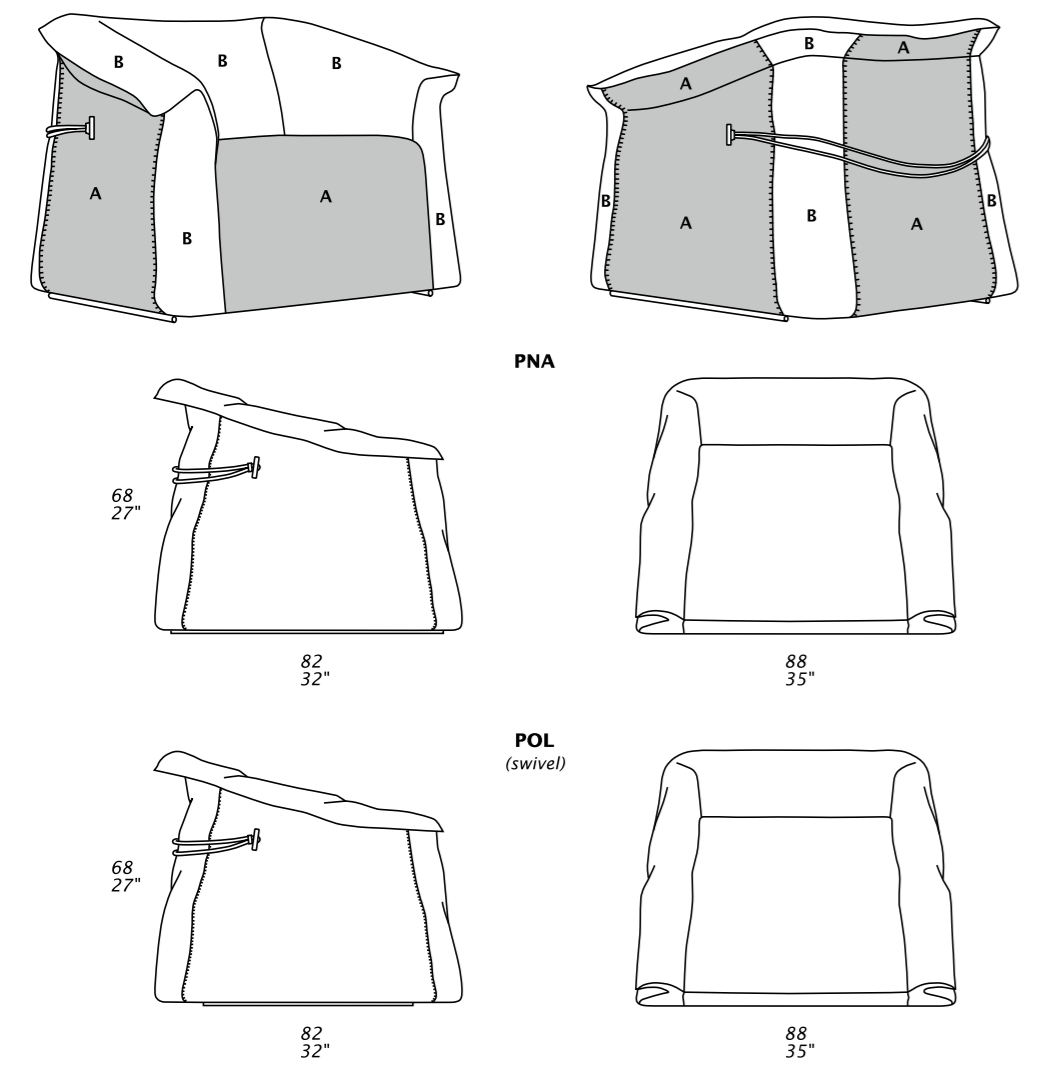


Dimensions: the first figure shows sizes in centimeters, the second in inches.
Each piece is made by hand and has its own uniqueness. Measures may vary with a tolerance up to 3%.
Base height 28 cm - 11".
Wood legs, height 3 cm - 1" 1/4.

Technical sheet

CHARLOTTE

Design Giuseppe Viganò

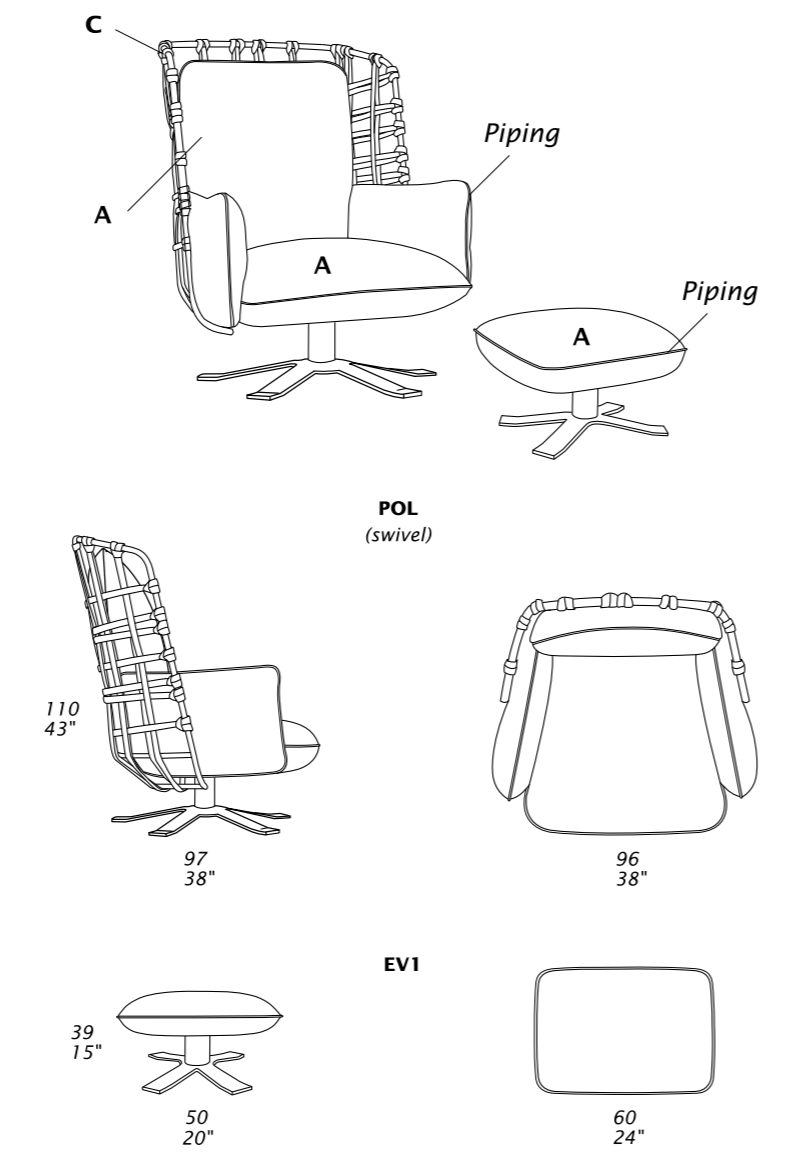


Dimensions: the first figure shows sizes in centimeters, the second in inches.
 Each piece is made by hand and has its own uniqueness. Measures may vary with a tolerance up to 3%.
 Seat depth 53 cm - 21".
 Seat height 39 cm - 15".

Technical sheet

COCOON BERGÈRE

Design Giuseppe Viganò

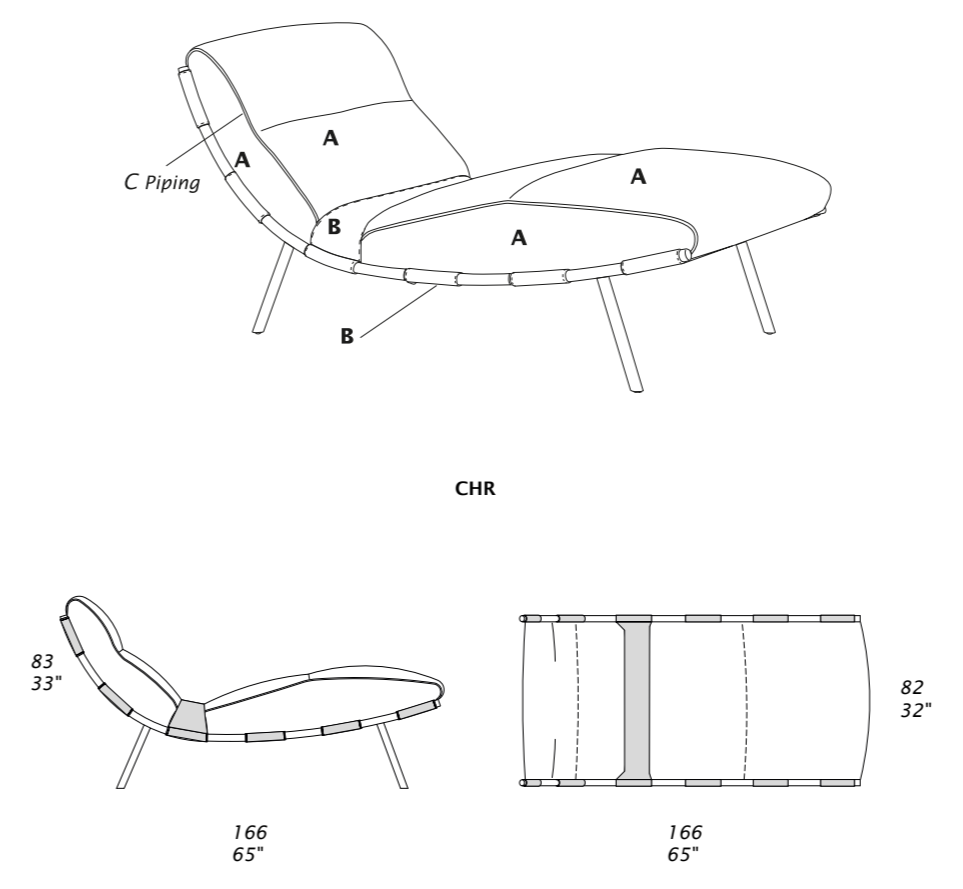


Dimensions: the first figure shows sizes in centimeters, the second in inches.
 Each piece is made by hand and has its own uniqueness. Measures may vary with a tolerance up to 3%.
 Seat depth 55 cm - 22".
 Seat height 43 cm - 17".

Technical sheet

CRUISE

Design Giuseppe Viganò

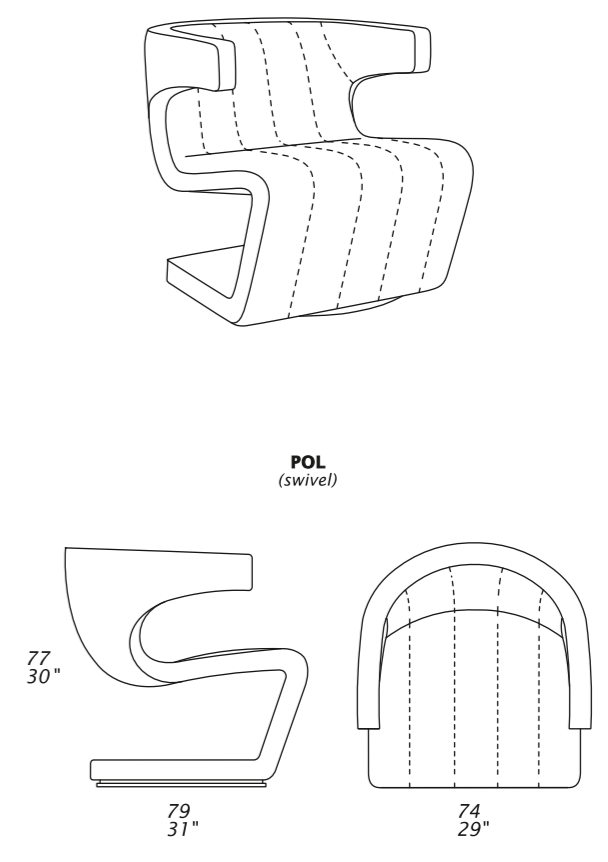


Dimensions: the first figure shows sizes in centimeters, the second in inches.
 Each piece is made by hand and has its own uniqueness. Measures may vary with a tolerance up to 3%.
 Seat depth 100 cm - 40".
 Seat height 53 cm - 21".

Technical sheet

DEAN

Design Giuseppe Viganò

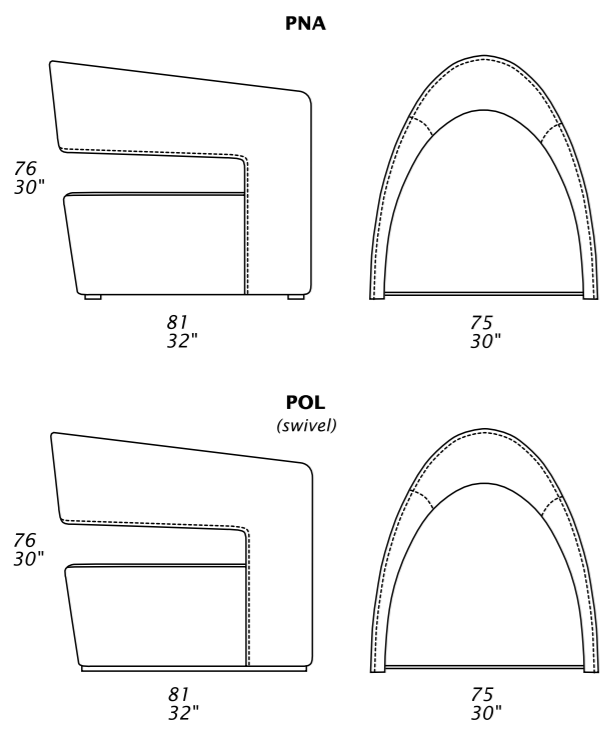
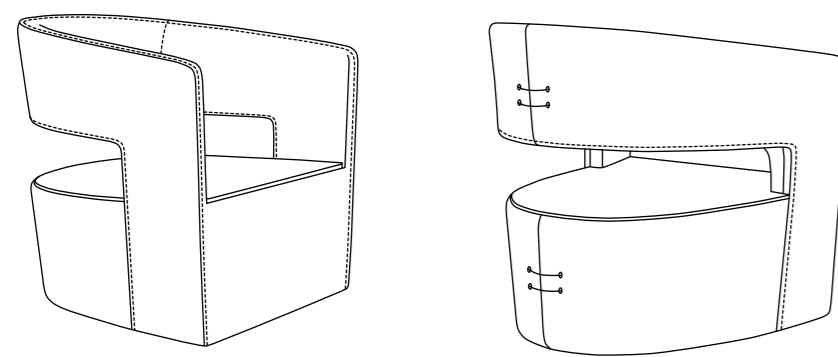


Dimensions: the first figure shows sizes in centimeters, the second in inches.
 Each piece is made by hand and has its own uniqueness. Measures may vary with a tolerance up to 3%.
 Seat depth 49 cm - 19".
 Seat height 44 cm - 17".

Technical sheet

GEM

Design Giuseppe Viganò

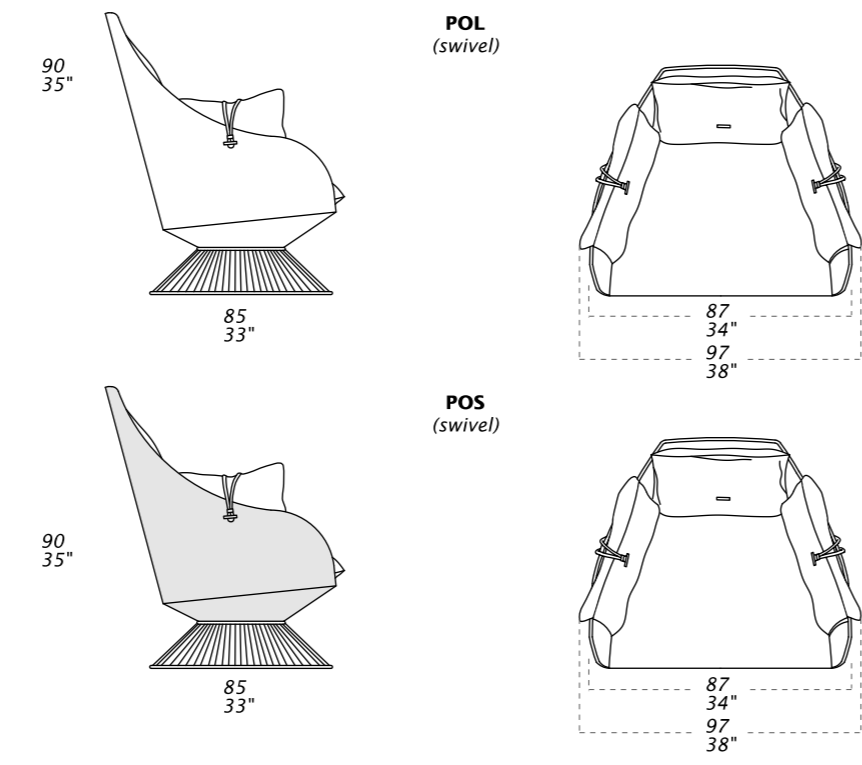


Dimensions: the first figure shows sizes in centimeters, the second in inches.
 Each piece is made by hand and has its own uniqueness. Measures may vary with a tolerance up to 3%.
 Seat depth 59 cm - 23".
 Seat height 40 cm - 16".

Technical sheet

GLOSS

Design Giuseppe Viganò

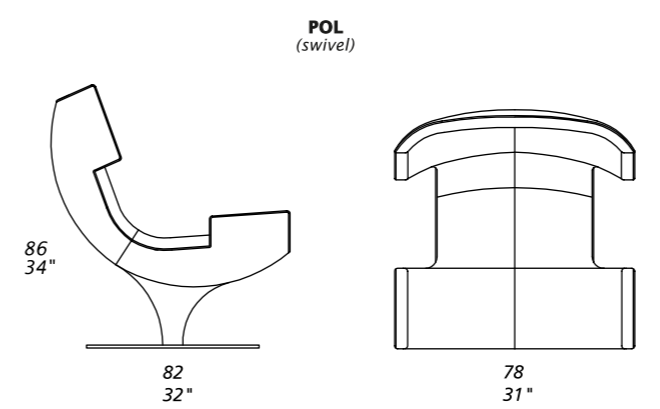


Dimensions: the first figure shows sizes in centimeters, the second in inches.
 Each piece is made by hand and has its own uniqueness. Measures may vary with a tolerance up to 3%.
 Seat depth 61 cm - 24".
 Seat height 44 cm - 17".

Technical sheet

HARLEY

Design Giuseppe Viganò

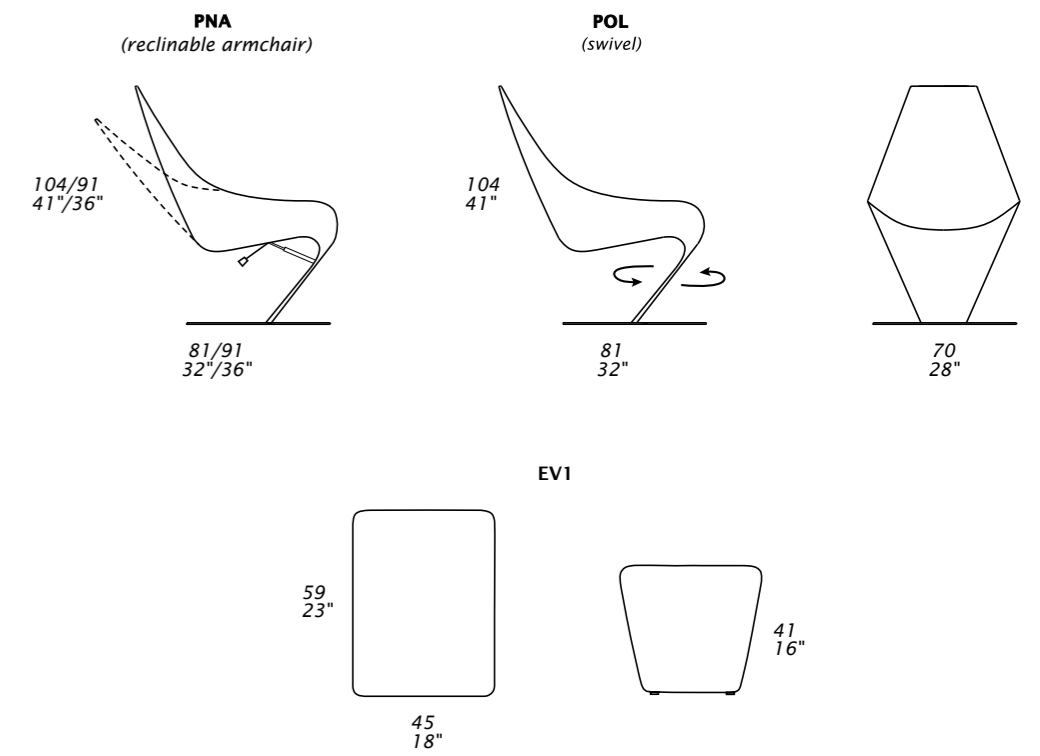
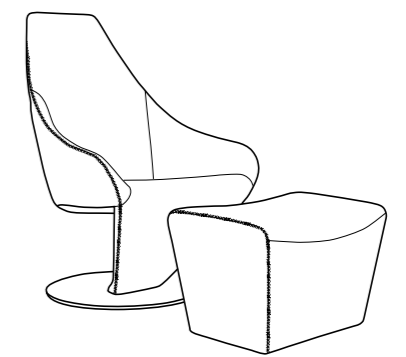


Dimensions: the first figure shows sizes in centimeters, the second in inches.
 Each piece is made by hand and has its own uniqueness. Measures may vary with a tolerance up to 3%.
 Seat depth 54 cm - 21".
 Seat height 41 cm - 16".

Technical sheet

LOBSTER

Design Giuseppe Viganò



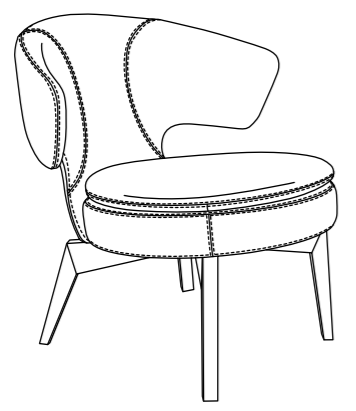
Dimensions: the first figure shows sizes in centimeters, the second in inches.
 Each piece is made by hand and has its own uniqueness. Measures may vary with a tolerance up to 3%.
 Seat depth 51 cm - 20".
 Seat height 42 cm - 17".

Technical sheet

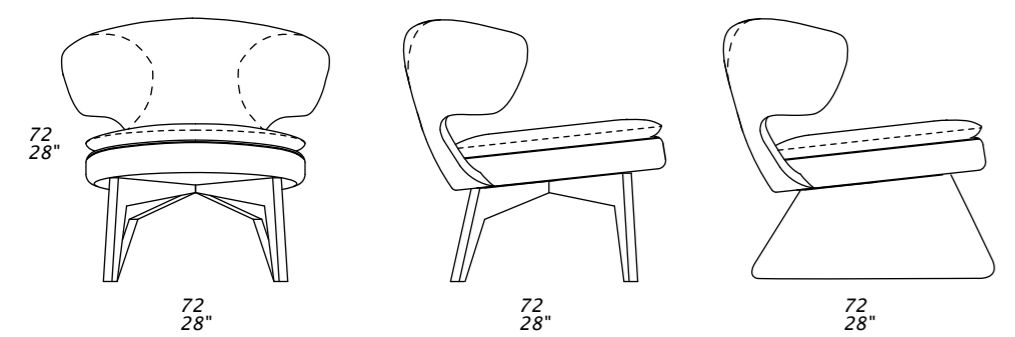
LOLITA

Design Giuseppe Viganò

STANDARD FEATURES
- LEGS AVAILABLE IN PAINTED METAL OR WOOD LEGS
- WOOD LEGS FINISH: NOCE CANALETTO OR FRASSINO



PNA

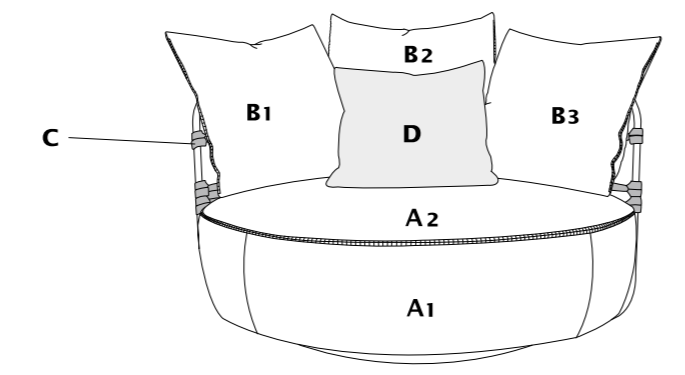


Dimensions: the first figure shows sizes in centimeters, the second in inches.
Each piece is made by hand and has its own uniqueness. Measures may vary with a tolerance up to 3%.
Seat depth 57 cm - 22".
Seat height 43 cm - 17".

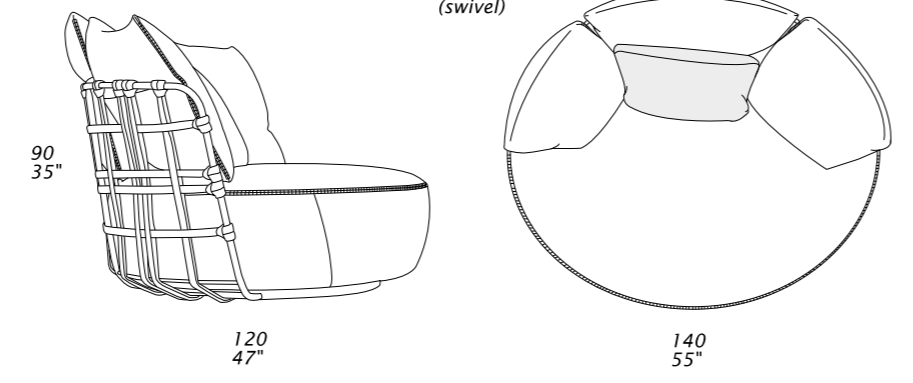
Technical sheet

LOVE

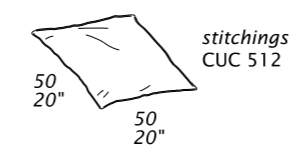
Design Giuseppe Viganò



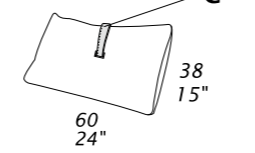
POL
(swivel)



C11
suggested pillow



C0110
suggested pillow

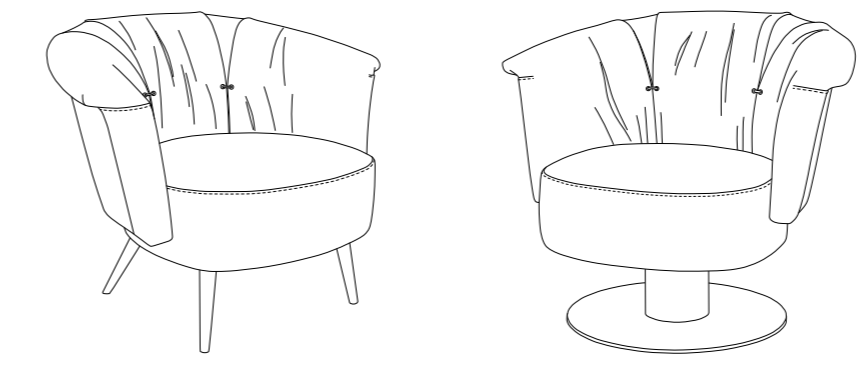


Dimensions: the first figure shows sizes in centimeters, the second in inches.
Each piece is made by hand and has its own uniqueness. Measures may vary with a tolerance up to 3%.
Seat depth 72 cm - 28".
Seat height 42 cm - 17".

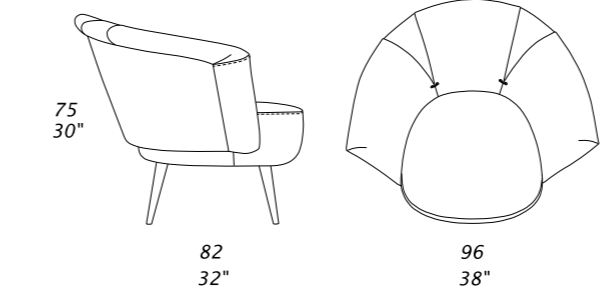
Technical sheet

LUNA

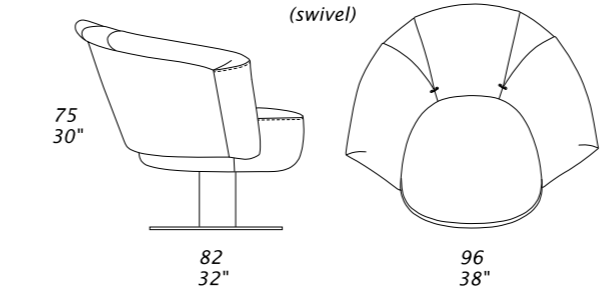
Design Giuseppe Viganò



PNA



POL
(swivel)

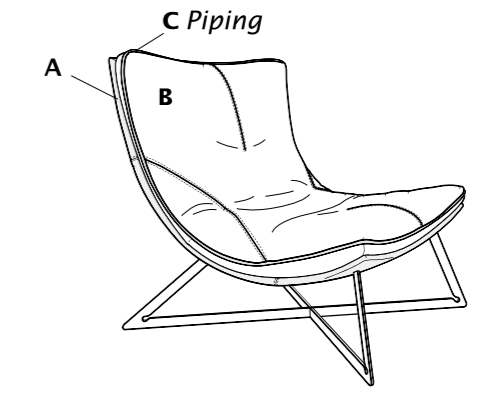


Dimensions: the first figure shows sizes in centimeters, the second in inches.
Each piece is made by hand and has its own uniqueness. Measures may vary with a tolerance up to 3%.
Seat depth 60 cm - 24".
Seat height 45 cm - 18".

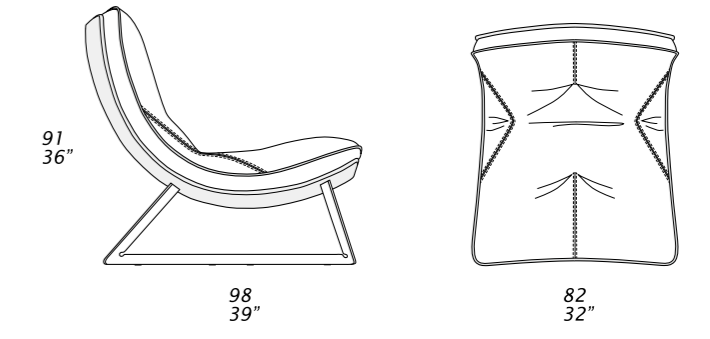
Technical sheet

SCARLETT

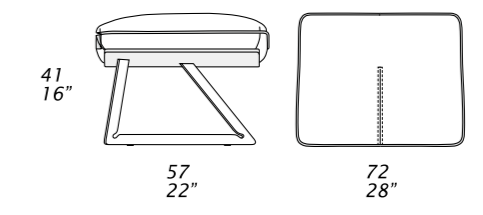
Design Giuseppe Viganò



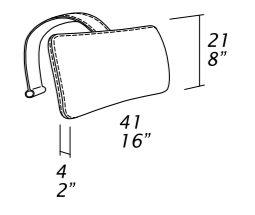
CHS



EV2



PG013
suggested headrest

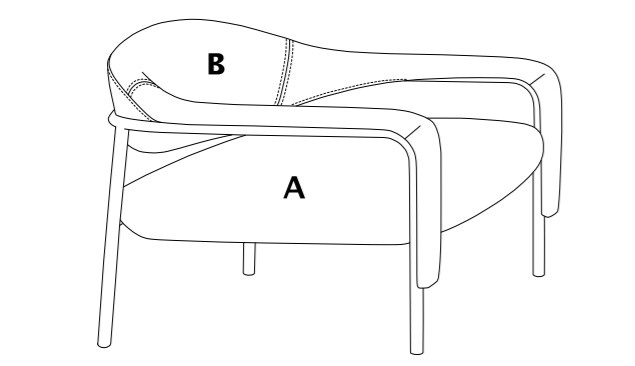


Dimensions: the first figure shows sizes in centimeters, the second in inches.
Each piece is made by hand and has its own uniqueness. Measures may vary with a tolerance up to 3%.
Seat depth 58 cm - 23".
Seat height 42 cm - 17".

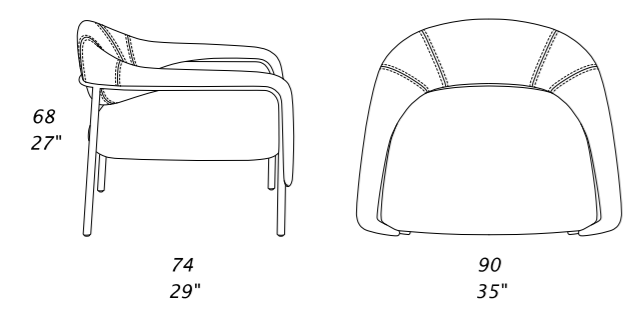
Technical sheet

SPIDER

Design Giuseppe Viganò



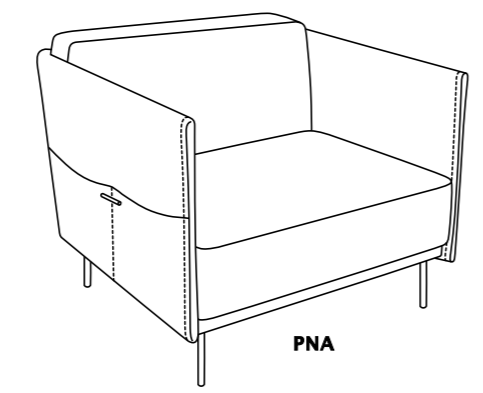
PNA



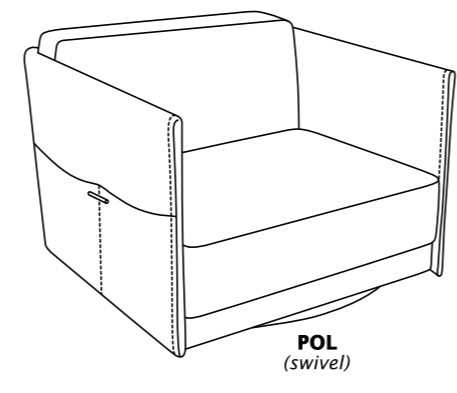
Dimensions: the first figure shows sizes in centimeters, the second in inches.
Each piece is made by hand and has its own uniqueness. Measures may vary with a tolerance up to 3%.
Seat depth 60 cm - 24".
Seat height 41 cm - 16".

TRENCH

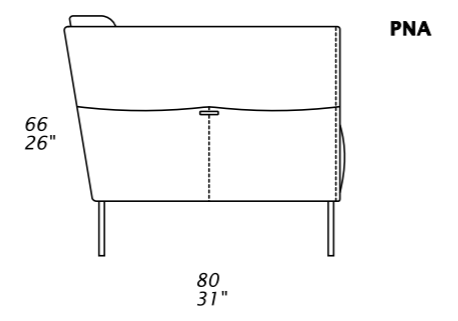
Design Giuseppe Viganò



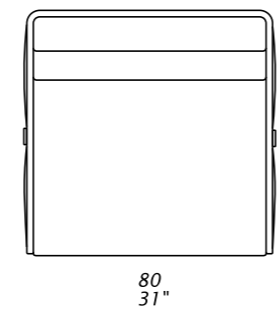
PNA



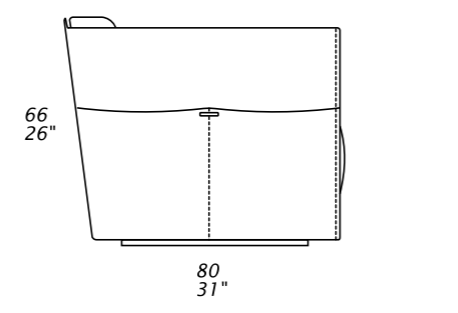
POL (swivel)



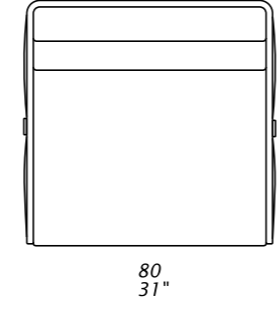
PNA



80 31"



POL (swivel)

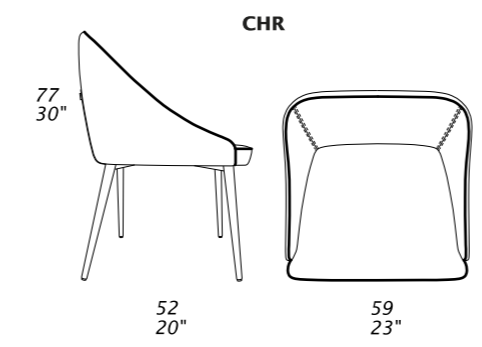


80 31"

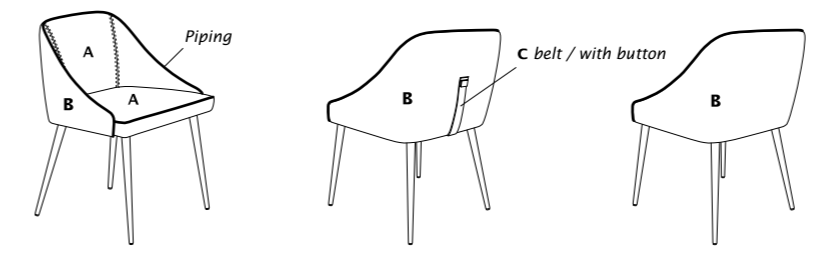
Dimensions: the first figure shows sizes in centimeters, the second in inches.
Each piece is made by hand and has its own uniqueness. Measures may vary with a tolerance up to 3%.
Seat depth 56 cm - 22".
Seat height 41 cm - 16".

SALLY

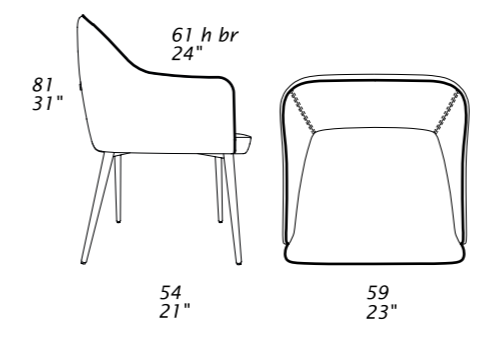
Design Giuseppe Viganò



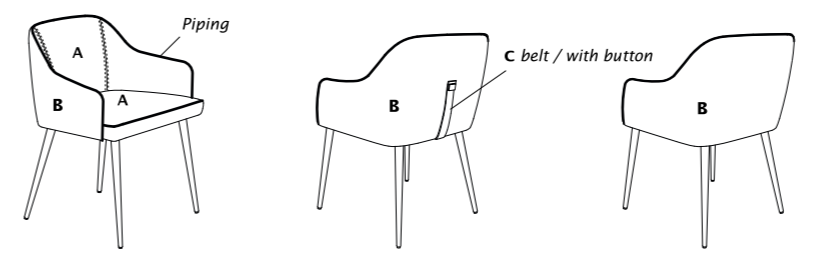
CHR



CHABR



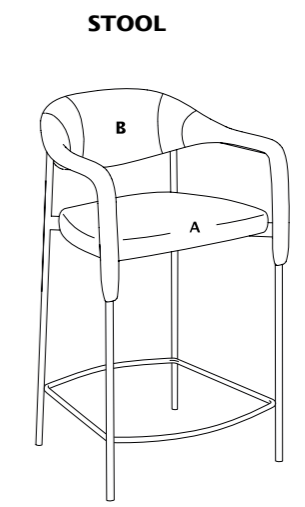
CHR



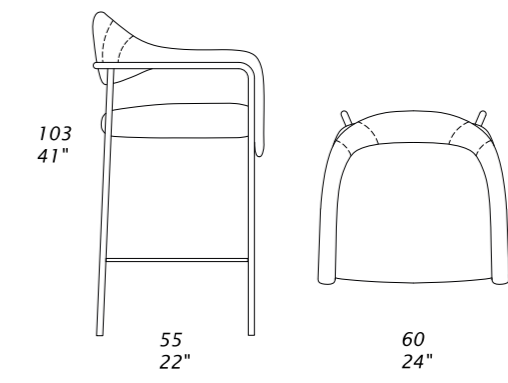
Dimensions: the first figure shows sizes in centimeters, the second in inches.
Each piece is made by hand and has its own uniqueness. Measures may vary with a tolerance up to 3%.
Seat depth 42 cm - 17".
Seat height 50 cm - 20".

SPIDER

Design Giuseppe Viganò

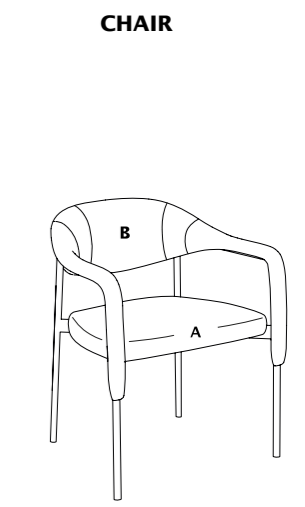


STOO

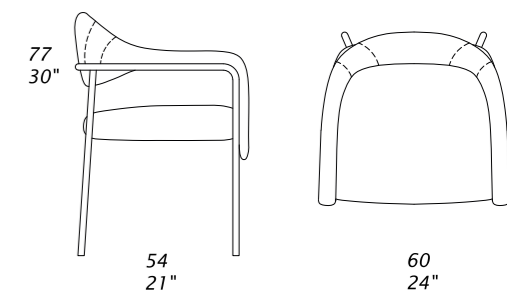


CHRST

Seat depth 44 cm - 17".
Seat height 74 cm - 29".



CHR



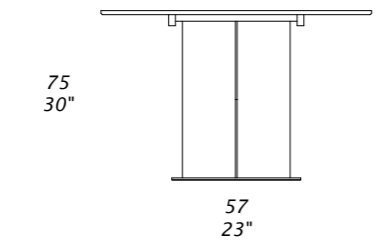
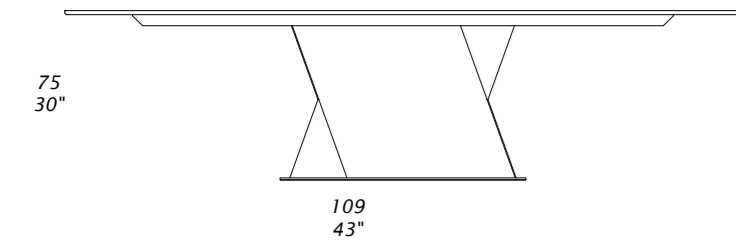
CHR

Seat depth 44 cm - 17".
Seat height 47 cm - 18".

Dimensions: the first figure shows sizes in centimeters, the second in inches.
Each piece is made by hand and has its own uniqueness. Measures may vary with a tolerance up to 3%.

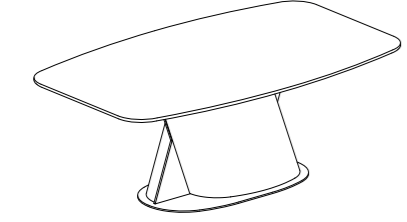
VENUS DINING TABLE

Design Giuseppe Viganò

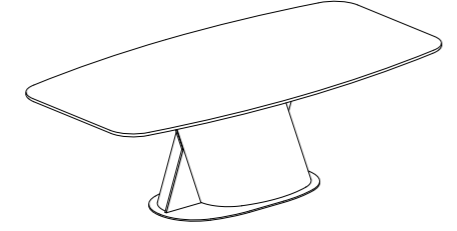


STANDARD FEATURES
-WOODEN FRAME COVERED WITH LEATHER
-METAL INSERTS AVAILABLE IN ALL GAMMA CUSTOMIZING FINISHES
-GLASS TOP AVAILABLE IN ALL GAMMA CUSTOMIZING FINISHES
-CERAMIC TOP AVAILABLE IN ALL GAMMA CUSTOMIZING FINISHES
-MARBLE TOP AVAILABLE IN ALL GAMMA CUSTOMIZING FINISHES

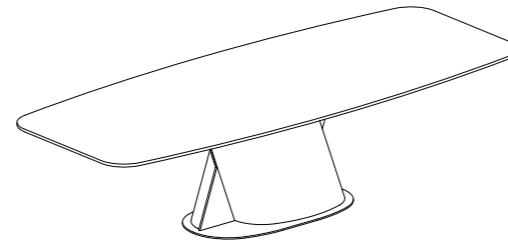
T282B
200x120 - 79x47"



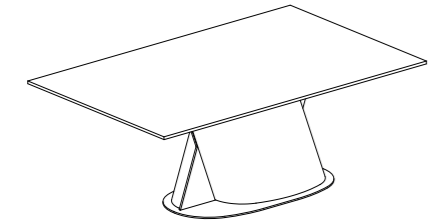
T284B
240x120 - 94x47"



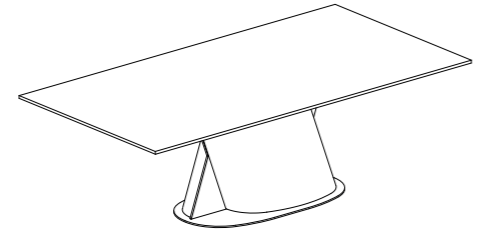
T286B
300x120 - 118x47"



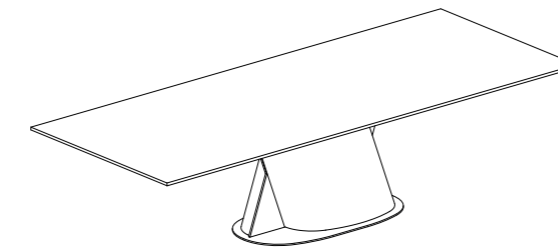
T281B
200x120 - 79x47"



T283B
240x120 - 94x47"



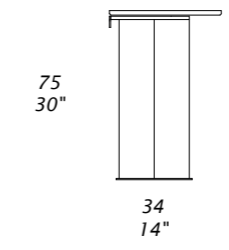
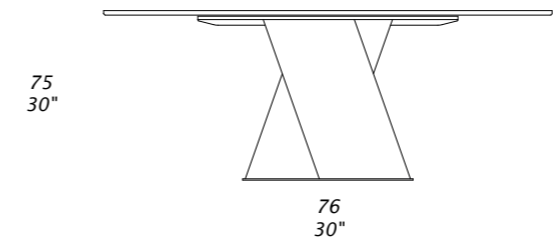
T285B
300x120 - 118x47"



Dimensions: the first figure shows sizes in centimeters, the second in inches.
Each piece is made by hand and has its own uniqueness. Measures may vary with a tolerance up to 3%.

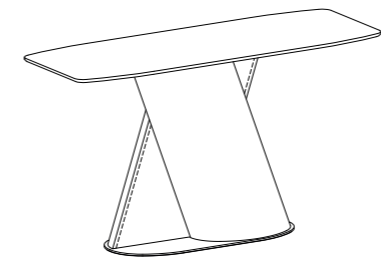
VENUS CONSOLLE

Design Giuseppe Viganò

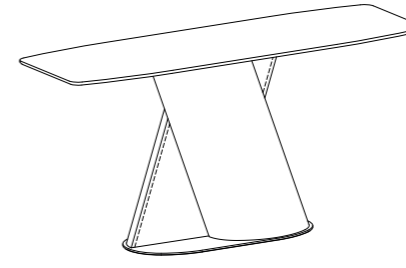


STANDARD FEATURES
-WOODEN FRAME COVERED WITH LEATHER
-METAL INSERTS AVAILABLE IN ALL GAMMA CUSTOMIZING FINISHES
-GLASS TOP AVAILABLE IN ALL GAMMA CUSTOMIZING FINISHES
-CERAMIC TOP AVAILABLE IN ALL GAMMA CUSTOMIZING FINISHES
-MARBLE TOP AVAILABLE IN ALL GAMMA CUSTOMIZING FINISHES

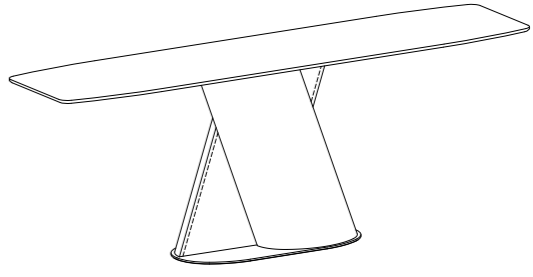
K085B
130x50 - 51x20"



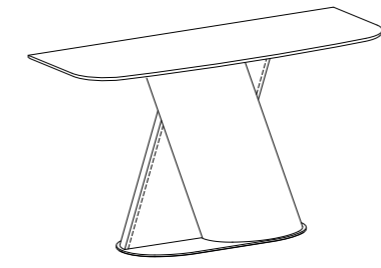
K086B
150x50 - 59x20"



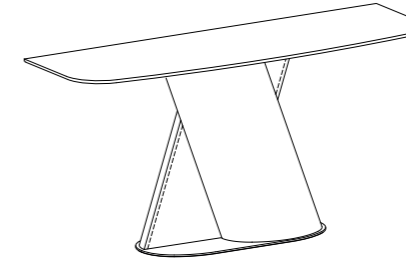
K087B
200x50 - 79x20"



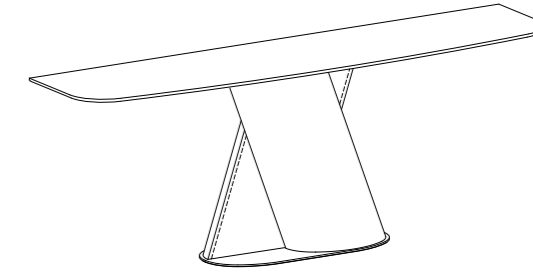
K075B
130x50 - 51x20"



K076B
150x50 - 59x20"



K077B
200x50 - 79x20"



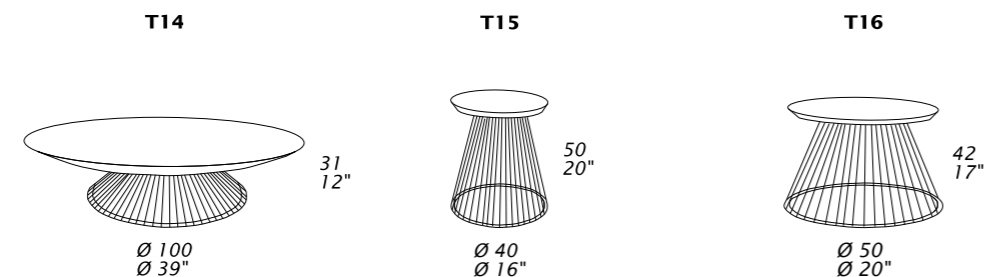
Dimensions: the first figure shows sizes in centimeters, the second in inches.
Each piece is made by hand and has its own uniqueness. Measures may vary with a tolerance up to 3%.

COFFEE TABLES

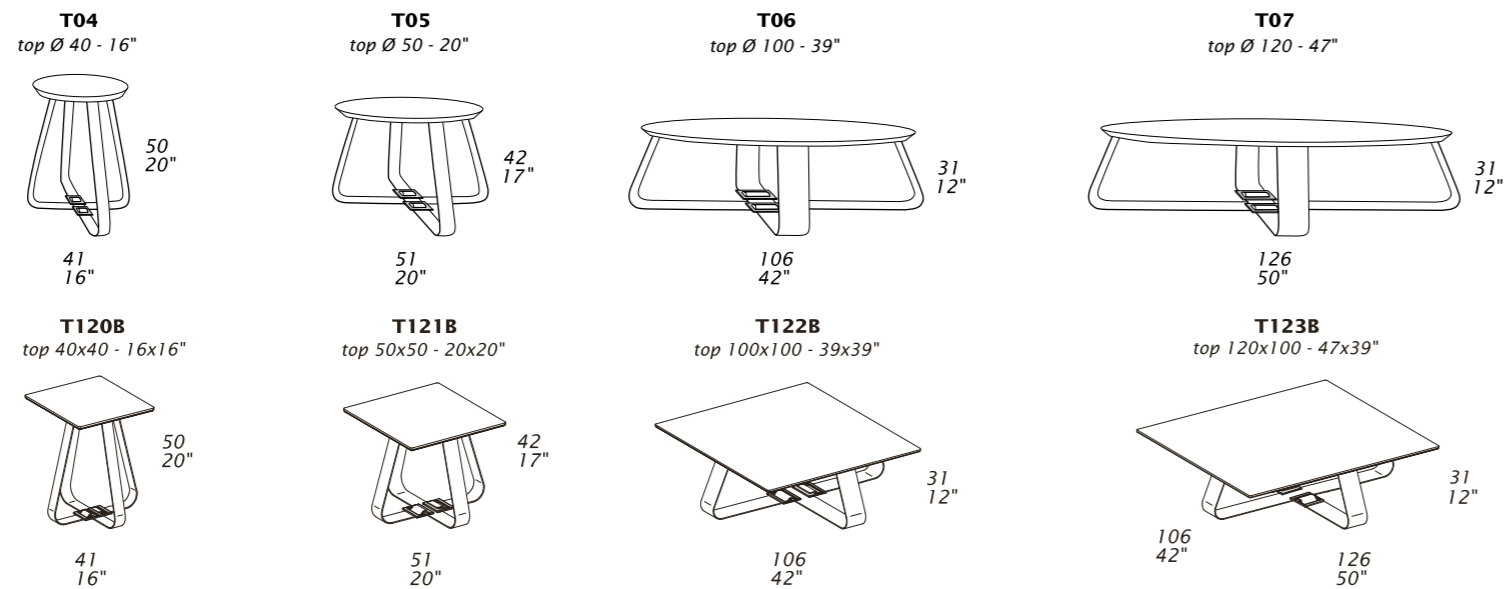
Design Giuseppe Viganò

BASKET**STANDARD FEATURES**

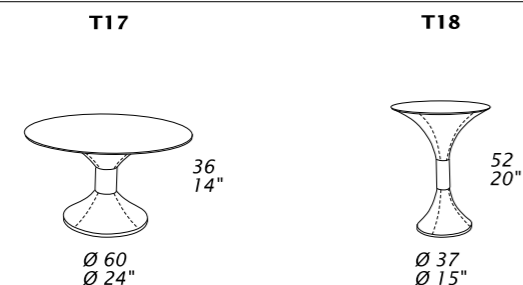
- GLASS TOP AVAILABLE IN ALL CUSTOMIZING FINISHINGS
- CERAMIC TOP AVAILABLE IN ALL CUSTOMIZING FINISHINGS
- MARBLE TOP AVAILABLE IN ALL CUSTOMIZING FINISHINGS
- METAL BASE AVAILABLE IN ALL CUSTOMIZING FINISHINGS

**BELTS****STANDARD FEATURES**

- GLASS TOP AVAILABLE IN ALL CUSTOMIZING FINISHINGS
- CERAMIC TOP AVAILABLE IN ALL CUSTOMIZING FINISHINGS
- MARBLE TOP AVAILABLE IN ALL CUSTOMIZING FINISHINGS
- METAL BASE AVAILABLE IN ALL CUSTOMIZING FINISHINGS
- BUCKLE PAINTED WITH ALL CUSTOMIZING FINISHING OR COVERED WITH LEATHER

**CLEPSYDRA****STANDARD FEATURES**

- POLYURETHANE RESIN FRAME COVERED WITH LEATHER
- GLASS TOP AVAILABLE IN ALL CUSTOMIZING FINISHINGS
- CERAMIC TOP AVAILABLE IN ALL CUSTOMIZING FINISHINGS
- MARBLE TOP AVAILABLE IN ALL CUSTOMIZING FINISHINGS
- METAL DETAIL AVAILABLE IN ALL CUSTOMIZING FINISHINGS



Dimensions: the first figure shows sizes in centimeters, the second in inches.
Each piece is made by hand and has its own uniqueness. Measures may vary with a tolerance up to 3%.

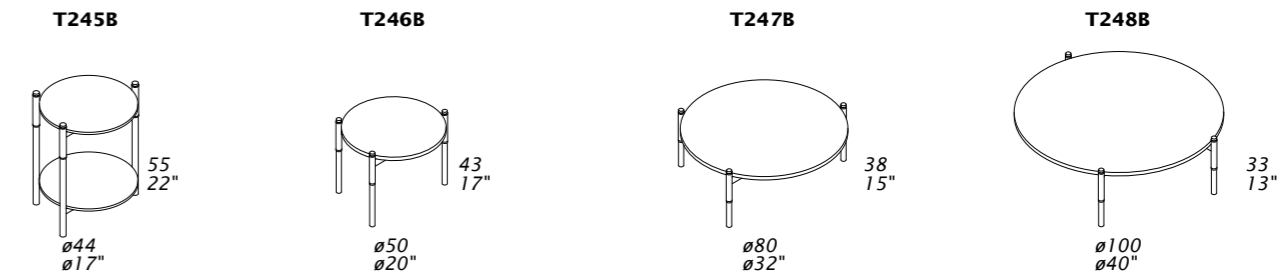
Technical sheet

COFFEE TABLES

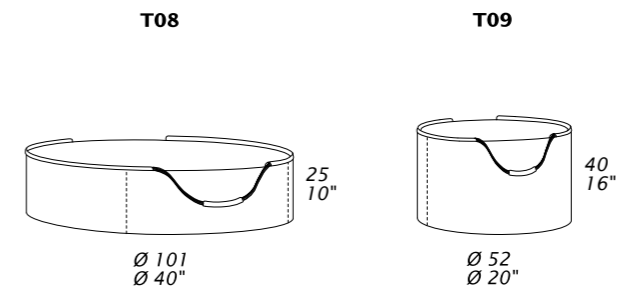
Design Giuseppe Viganò

CRUISE**STANDARD FEATURES**

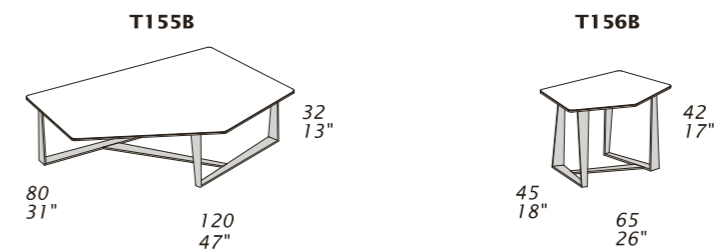
- GLASS TOP AVAILABLE IN ALL CUSTOMIZING FINISHINGS
- CERAMIC TOP AVAILABLE IN ALL CUSTOMIZING FINISHINGS
- MARBLE TOP AVAILABLE IN ALL CUSTOMIZING FINISHINGS
- METAL BASE AVAILABLE IN ALL CUSTOMIZING FINISHINGS

**DRUMS****STANDARD FEATURES**

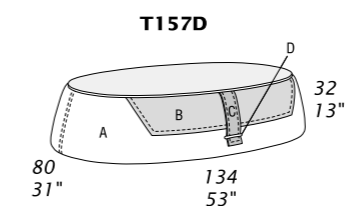
- HARD WOOD FRAME AND POLYURETHANE COVERED WITH LEATHER
- GLASS TOP AVAILABLE IN ALL CUSTOMIZING FINISHINGS
- CERAMIC TOP AVAILABLE IN ALL CUSTOMIZING FINISHINGS
- MARBLE TOP AVAILABLE IN ALL CUSTOMIZING FINISHINGS

**ESCAPE****STANDARD FEATURES**

- GLASS TOP AVAILABLE IN ALL CUSTOMIZING FINISHINGS
- CERAMIC TOP AVAILABLE IN ALL CUSTOMIZING FINISHINGS
- MARBLE TOP AVAILABLE IN ALL CUSTOMIZING FINISHINGS
- METAL BASE AVAILABLE IN ALL CUSTOMIZING FINISHINGS

**KARL****STANDARD FEATURES**

- HARD WOOD FRAME AND POLYURETHANE COVERED WITH LEATHER
- GLASS TOP AVAILABLE IN ALL CUSTOMIZING FINISHINGS
- CERAMIC TOP AVAILABLE IN ALL CUSTOMIZING FINISHINGS
- MARBLE TOP AVAILABLE IN ALL CUSTOMIZING FINISHINGS



Dimensions: the first figure shows sizes in centimeters, the second in inches.
Each piece is made by hand and has its own uniqueness. Measures may vary with a tolerance up to 3%.

Technical sheet

COFFEE TABLES

Design Giuseppe Viganò

KONG

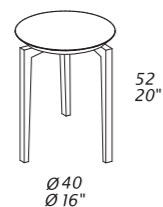
STANDARD FEATURES

- GLASS TOP AVAILABLE IN ALL CUSTOMIZING FINISHINGS
- CERAMIC TOP AVAILABLE IN ALL CUSTOMIZING FINISHINGS
- MARBLE TOP AVAILABLE IN ALL CUSTOMIZING FINISHINGS
- WOOD BASE AVAILABLE IN NOCE CANALETTO AND FRASSINO

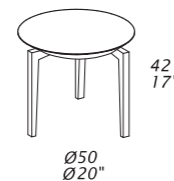
WOOD LEGS FINISH



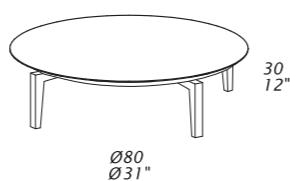
T29 / T29H



T30 / T30H



T31 / T31H



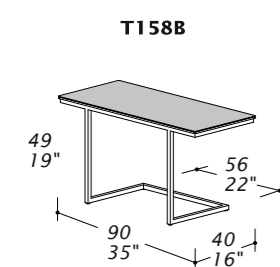
PUZZLE

STANDARD FEATURES

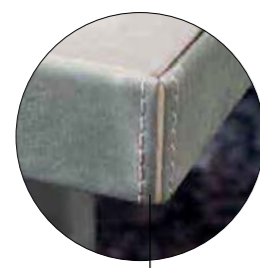
- HARD WOOD FRAME COVERED WITH LEATHER
- GLASS TOP AVAILABLE IN ALL CUSTOMIZING FINISHINGS
- CERAMIC TOP AVAILABLE IN ALL CUSTOMIZING FINISHINGS
- MARBLE TOP AVAILABLE IN ALL CUSTOMIZING FINISHINGS

T158B

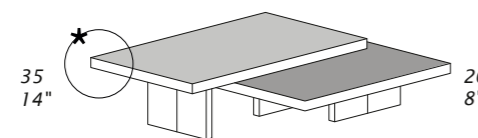
ONLY AVAILABLE WITH GLASS OR CERAMIC TOP AND METAL BASE WITH ALL CUSTOMIZING FINISHINGS



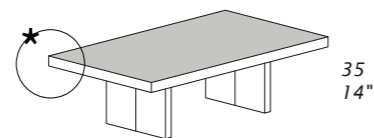
★ CORNERS DETAIL



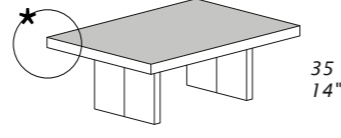
T190A



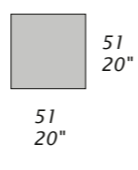
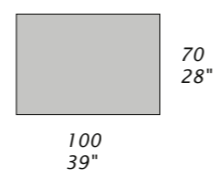
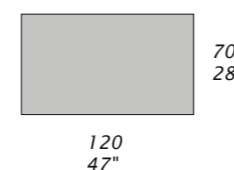
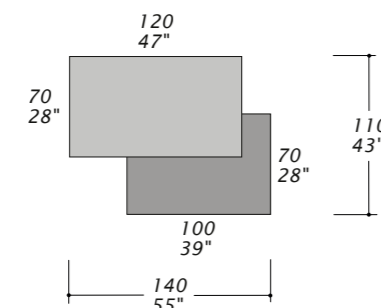
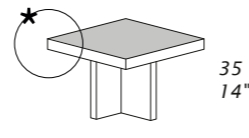
T191A



T192A



T193A



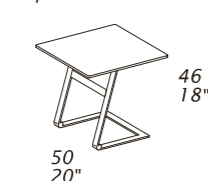
SIDE

STANDARD FEATURES

- METAL BASE AVAILABLE IN ALL CUSTOMIZING FINISHINGS
- GLASS TOP AVAILABLE IN ALL CUSTOMIZING FINISHINGS
- CERAMIC TOP AVAILABLE IN ALL CUSTOMIZING FINISHINGS

T142B

top 50x50 - 20x20"



Dimensions: the first figure shows sizes in centimeters, the second in inches.
Each piece is made by hand and has its own uniqueness. Measures may vary with a tolerance up to 3%.

Technical sheet

COFFEE TABLES

Design Giuseppe Viganò

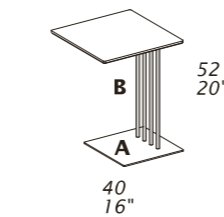
STRIPES

STANDARD FEATURES

- GLASS TOP AVAILABLE IN ALL CUSTOMIZING FINISHINGS
- CERAMIC TOP AVAILABLE IN ALL CUSTOMIZING FINISHINGS
- METAL SUPPORT (B) AVAILABLE IN ALL CUSTOMIZING FINISHINGS
- METAL BASE (A) AVAILABLE IN ALL CUSTOMIZING FINISHINGS EXCEPT CHROME

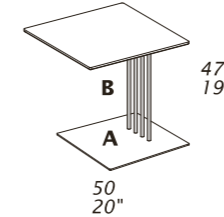
T125B

top 40x40 - 16x16"



T126B

top 50x50 - 20x20"



VINCENT

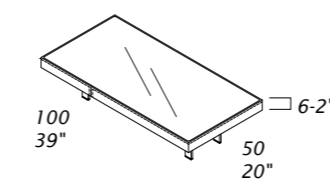
STANDARD FEATURES

- GLASS TOP AVAILABLE IN ALL CUSTOMIZING FINISHINGS
- CERAMIC TOP AVAILABLE IN ALL CUSTOMIZING FINISHINGS
- MARBLE TOP AVAILABLE IN ALL CUSTOMIZING FINISHINGS
- METAL BASE (A) AVAILABLE IN ALL CUSTOMIZING FINISHINGS

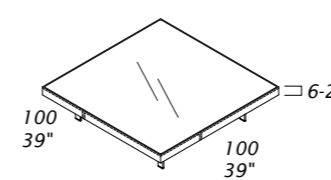
NOTES

- LOW VERSION H13 - 5"
- HIGH VERSION H21 - 8"

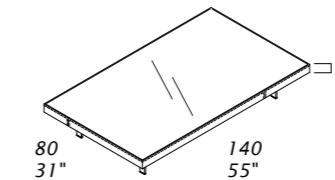
T250D



T251D



T252D



Dimensions: the first figure shows sizes in centimeters, the second in inches.
Each piece is made by hand and has its own uniqueness. Measures may vary with a tolerance up to 3%.

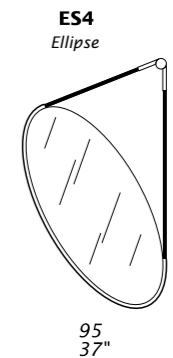
Technical sheet

MIRRORS

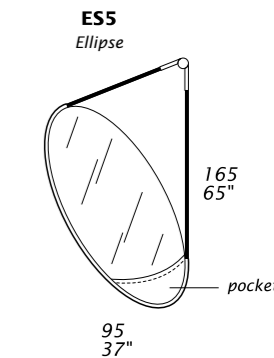
Design Giuseppe Viganò

STANDARD FEATURES

- HARD WOOD FRAME COVERED WITH LEATHER



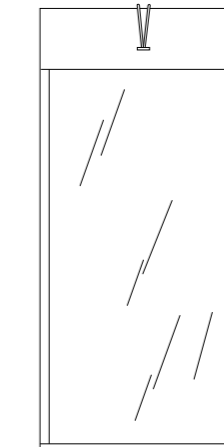
specchio cm 70 x 150
mirror 28" x 59"



specchio cm 70 x 150
mirror 28" x 59"

ES9

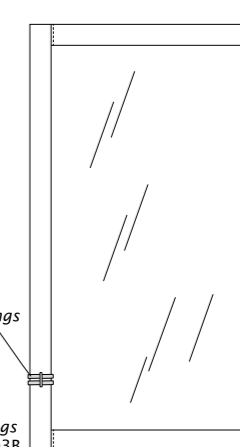
Jack Mirror



specchio cm 84 x 177
mirror 33" x 70"

ES012

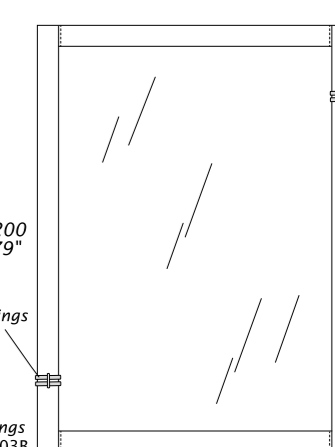
Cocoon Mirror



specchio cm 86 x 176
mirror 34" x 69"

ES013

Cocoon Mirror



specchio cm 126 x 176
mirror 50" x 69"

Dimensions: the first figure shows sizes in centimeters, the second in inches.
Each piece is made by hand and has its own uniqueness. Measures may vary with a tolerance up to 3%.

Technical sheet

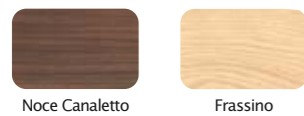
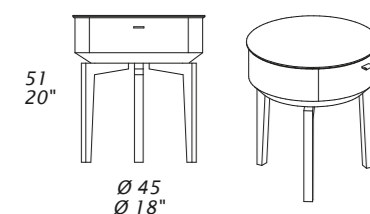
NIGHT STANDS

Design Giuseppe Viganò

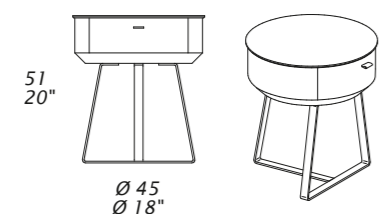
STANDARD FEATURES

- HARD WOOD FRAME COVERED WITH LEATHER
- GLASS TOP AVAILABLE IN ALL CUSTOMIZING FINISHINGS
- CERAMIC TOP AVAILABLE IN ALL CUSTOMIZING FINISHINGS
- MARBLE TOP AVAILABLE IN ALL CUSTOMIZING FINISHINGS
- METAL AVAILABLE IN ALL CUSTOMIZING FINISHINGS

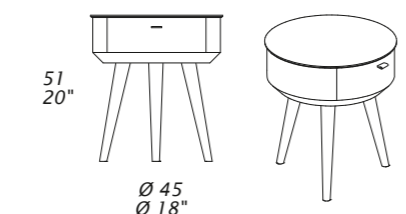
SKY K009-A Wood Legs



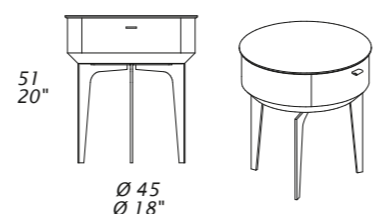
SKY K009-B Metal Base



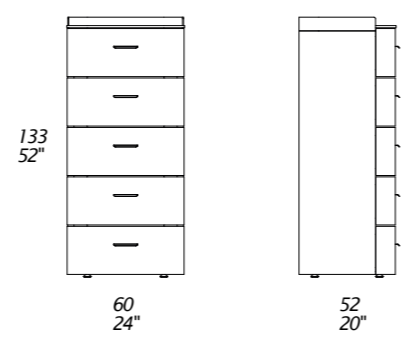
SKY K009-C Cone Legs



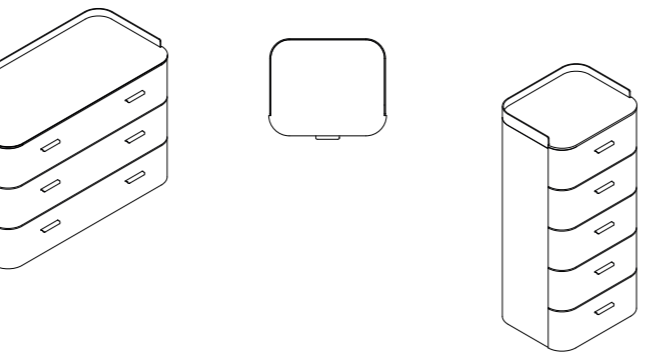
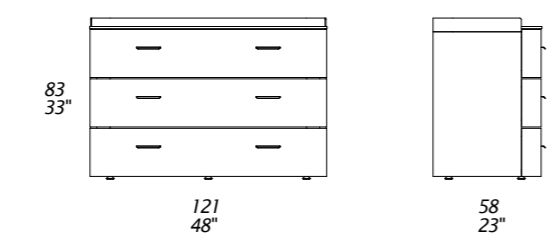
SKY K009-D Metal Legs



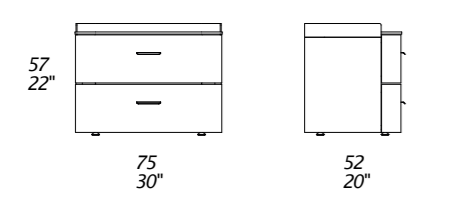
BAKU K016-D



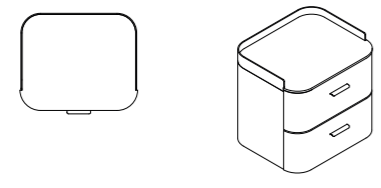
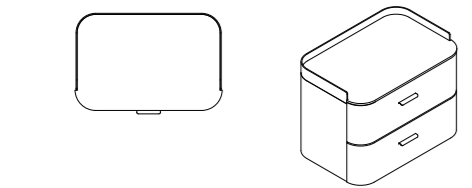
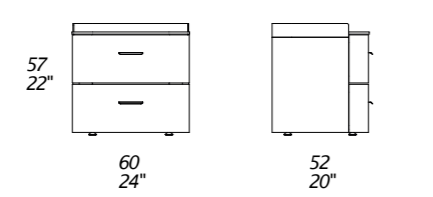
BAKU K017-D



BAKU K018-D



BAKU K015-D



Dimensions: the first figure shows sizes in centimeters, the second in inches.
Each piece is made by hand and has its own uniqueness. Measures may vary with a tolerance up to 3%.

BOULEVARD

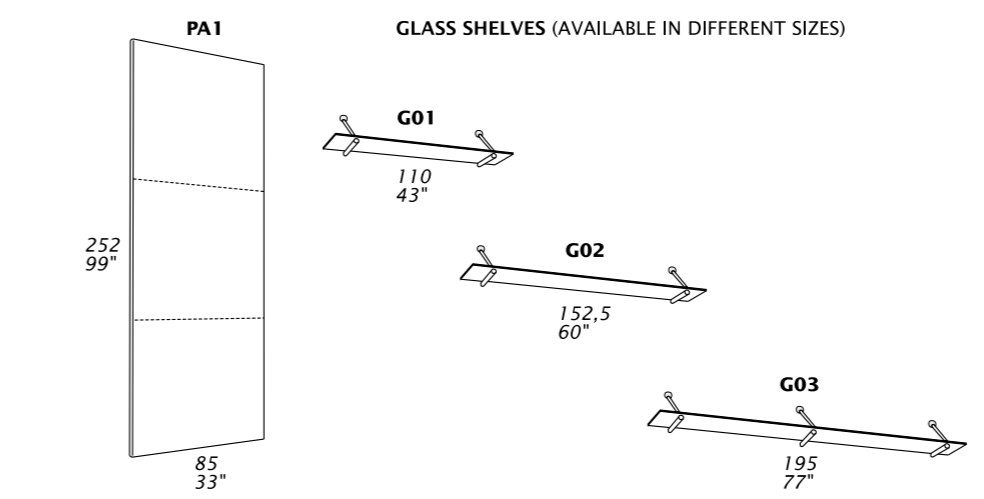
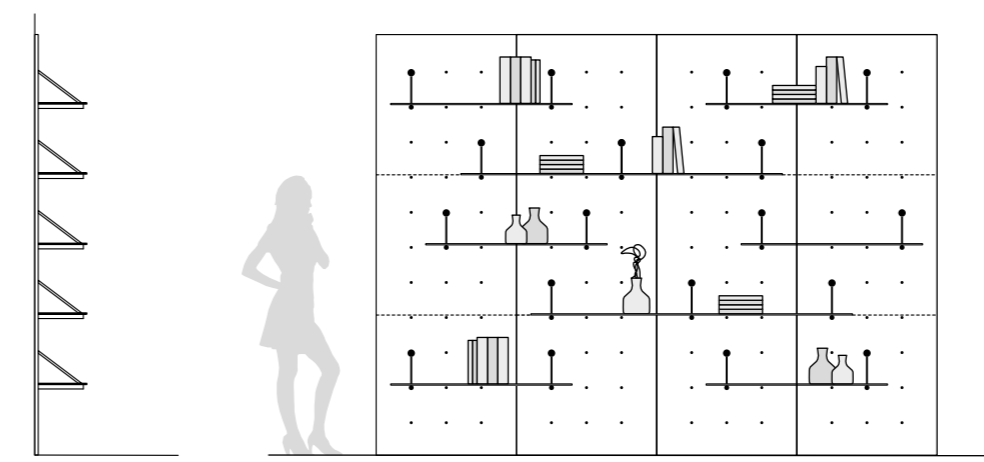
Design Giuseppe Viganò

STANDARD FEATURES

- WOOD PANELS COVERED WITH LEATHER
- CHROME METAL SUPPORT
- LEATHER TIES
- SHELVES IN SMOKED GLASS OR EXTRA CLEAR GLASS

NOTE

- CUSTOMER CAN CHOOSE CONFIGURATIONS OF PANELS & SHELVES

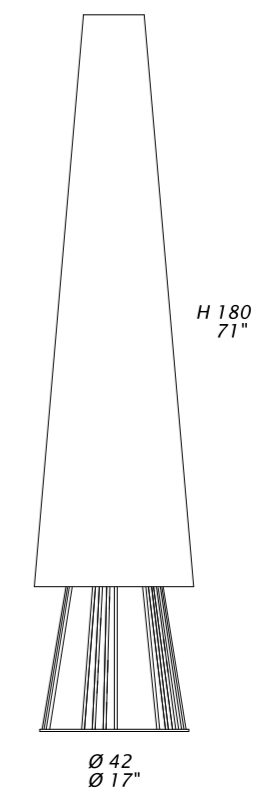


Dimensions: the first figure shows sizes in centimeters, the second in inches.
Each piece is made by hand and has its own uniqueness. Measures may vary with a tolerance up to 3%.

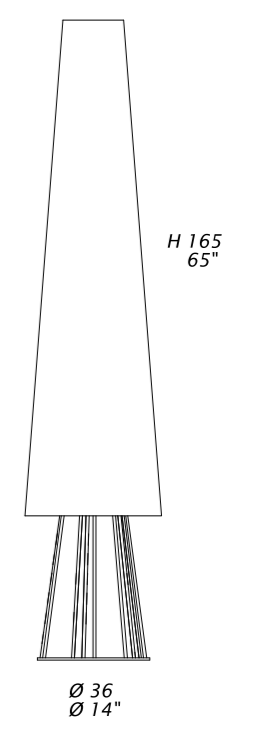
BASKET LAMPS

Design Giuseppe Viganò

L001B



L002B

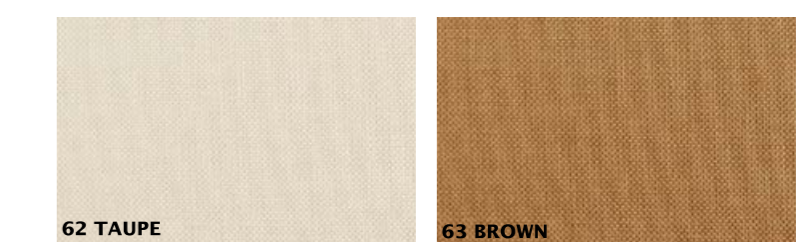


STANDARD FEATURES

- FLOOR LAMP WITH METAL FRAME AVAILABLE IN ALL CUSTOMIZING FINISHINGS.
- LAMP SHADE IN VISCOSE COUPLED WITH PVC, AVAILABLE IN THE FOLLOWING COLORS:

TECHNICAL SHEET

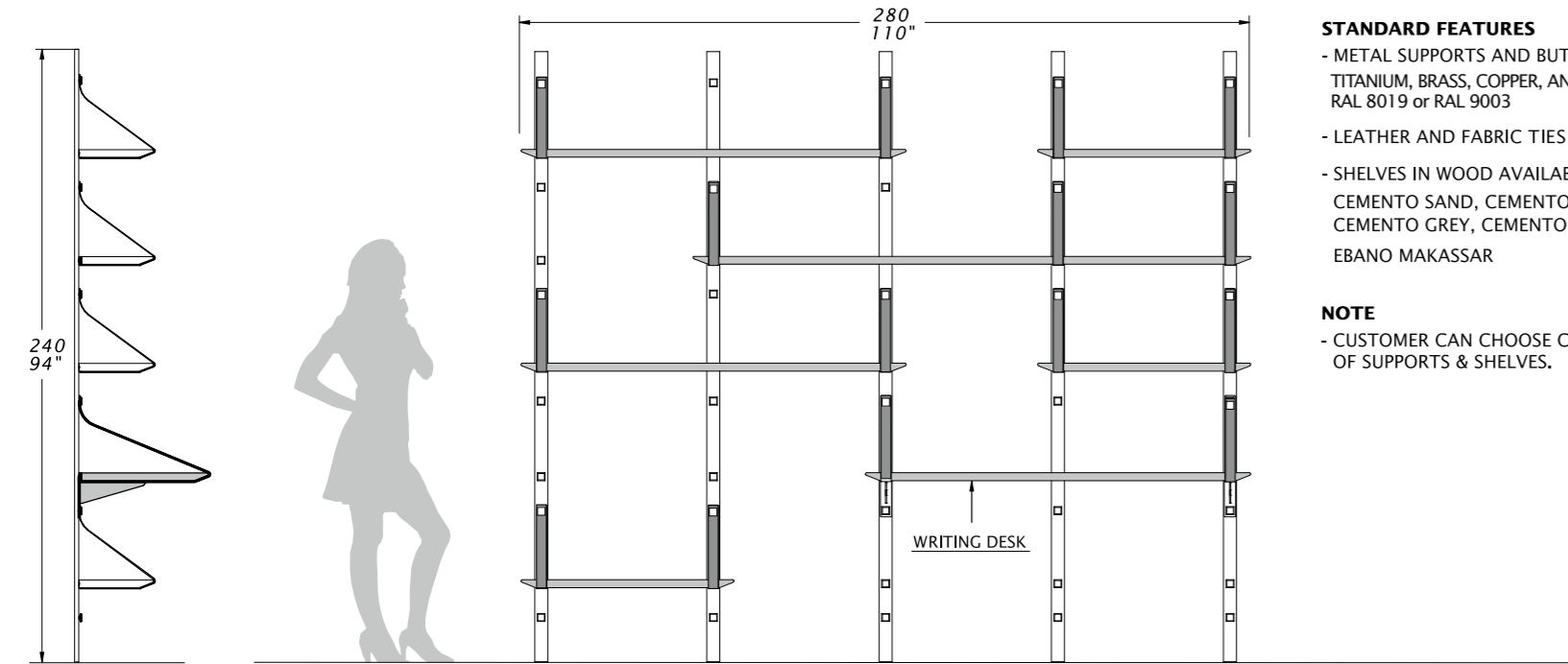
- LIGHT SOURCES NOT SUPPLIED
- MAX 150 W HALO / LED - FLUO COMPATIBLE
- SOCKET E27, VOLTAGE 220 - 240 V
- SOCKET E26, VOLTAGE 110 - 120 V



Dimensions: the first figure shows sizes in centimeters, the second in inches.
Each piece is made by hand and has its own uniqueness. Measures may vary with a tolerance up to 3%.

BROOKLYN

Design Giuseppe Viganò



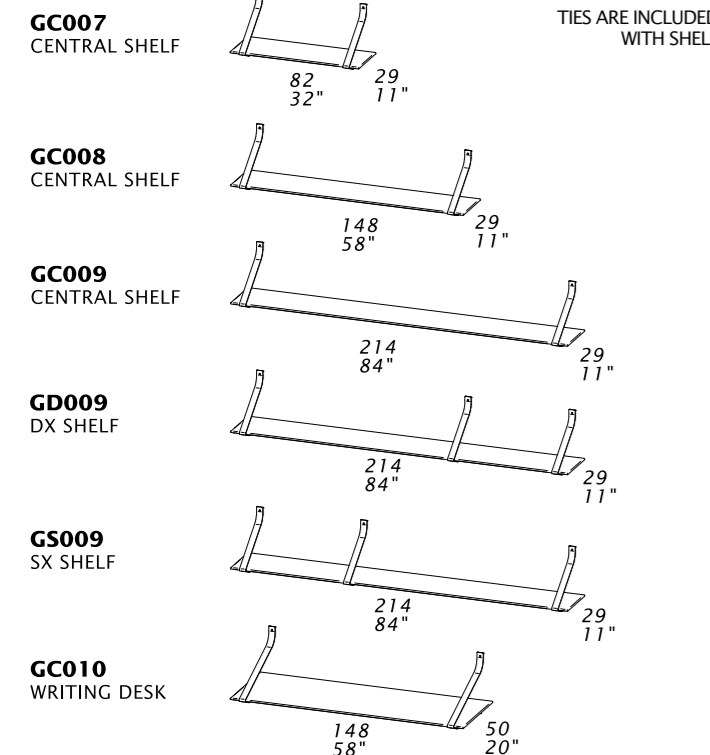
STANDARD FEATURES

- METAL SUPPORTS AND BUTTONS AVAILABLE IN: TITANIUM, BRASS, COPPER, ANTHRACITE, RAL 8019 or RAL 9003
- LEATHER AND FABRIC TIES
- SHELVES IN WOOD AVAILABLE IN COLORS: CEMENTO SAND, CEMENTO TAUPE, CEMENTO GREY, CEMENTO BLACK, EBANO MAKASSAR

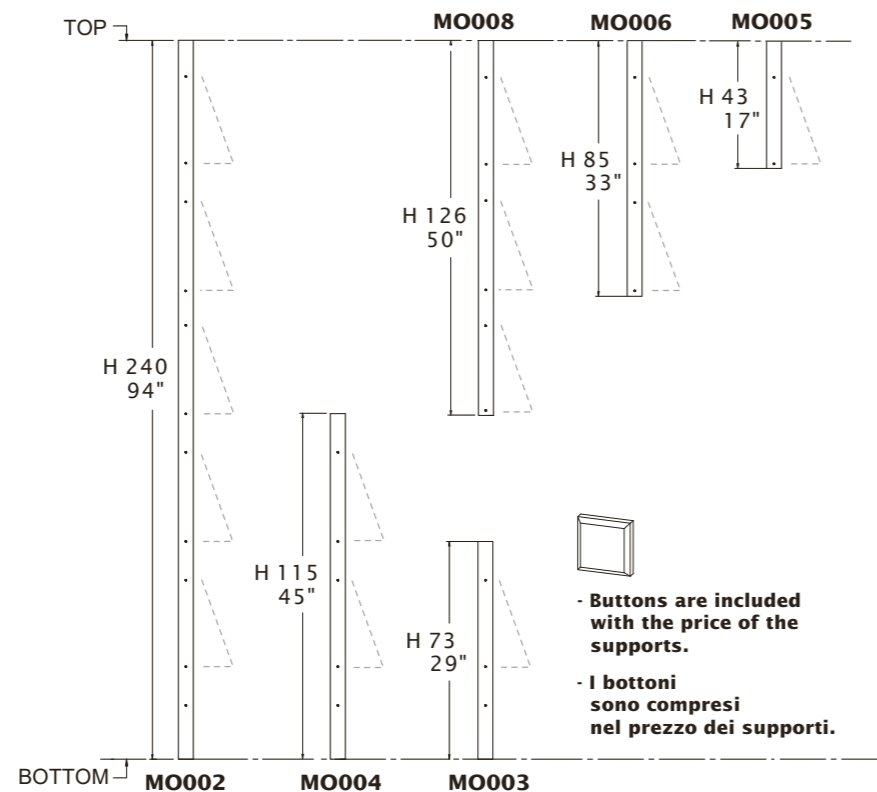
NOTE

- CUSTOMER CAN CHOOSE CONFIGURATIONS OF SUPPORTS & SHELVES.

SHELVES

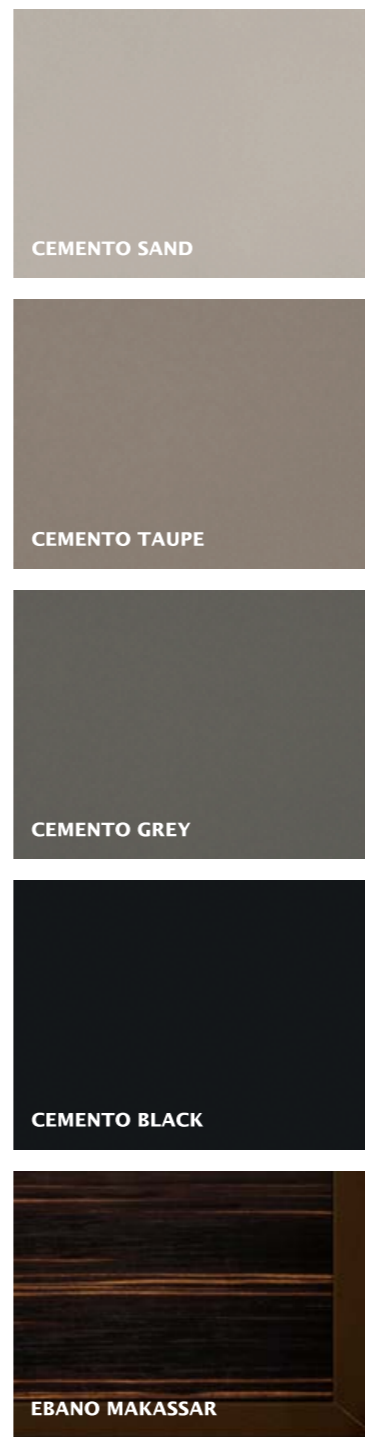


SUPPORTS



- Buttons are included with the price of the supports.
- I bottoni sono compresi nel prezzo dei supporti.

SHELVES FINISHES



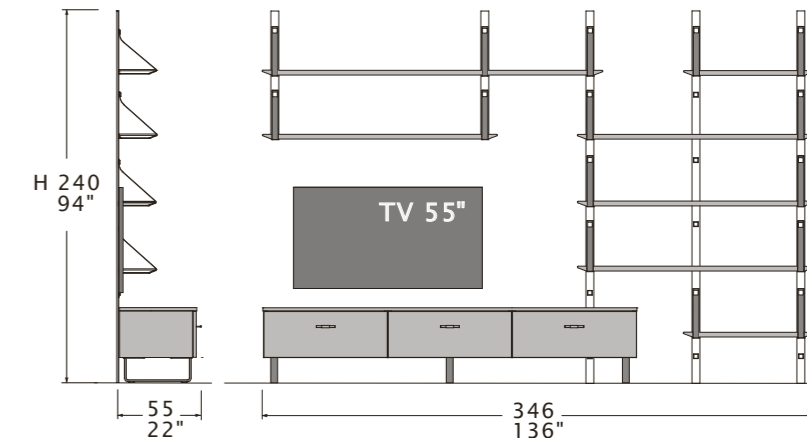
OLIVER TV UNIT

STANDARD FEATURES

- GLASS TOP AVAILABLE IN ALL CUSTOMIZING FINISHINGS
- CERAMIC TOP AVAILABLE IN ALL CUSTOMIZING CERAMIC FINISHINGS

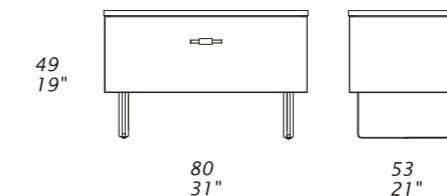
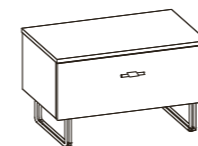
NOTES

- THE BACK OF THE CABINET IS COVERED WITH LEATHER WITH OPENING FOR CABLE PASSAGE
- MAKE SURE TO SPECIFY IN THE ORDER IF YOU WANT THE BACK CLOSED COVERED WITH LEATHER

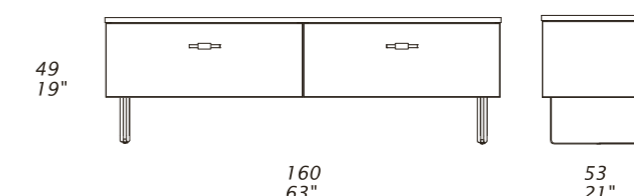
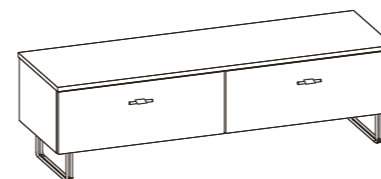


COMPOSITION REFERENCE IMAGE

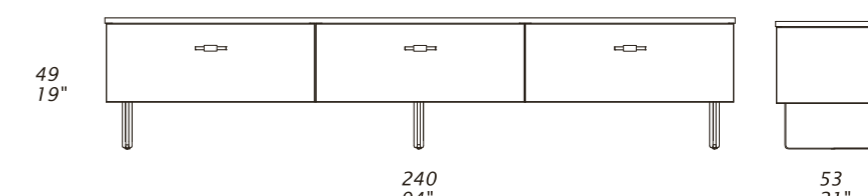
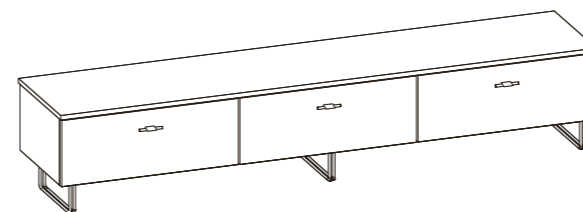
K030-D



K031-D



K032-D



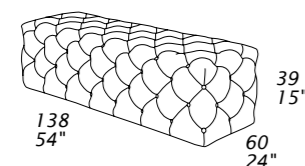
Dimensions: the first figure shows sizes in centimeters, the second in inches. Each piece is made by hand and has its own uniqueness. Measures may vary with a tolerance up to 3%.

BENCHES

ASTON

STANDARD FEATURES
 -HARD WOOD FRAME
 -PADDING IN POLYURETHANE
 -HANDMADE CAPITONNÉ.
 -SEAT HEIGHT 39 CM - 15"

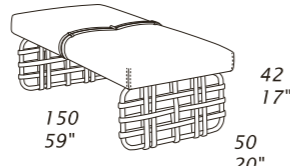
EV2



COCOON

STANDARD FEATURES
 -HARD WOOD FRAME
 -SEAT CUSHION IN POLYURETHANE
 -METAL BASE WITH MAORI LEATHER STRINGS

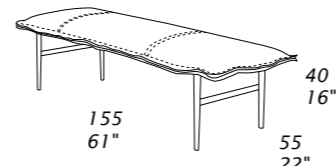
P020D



FLAMINGO

STANDARD FEATURES
 -HARD WOOD FRAME
 -SEAT CUSHION IN POLYURETHANE
 -SEAT HEIGHT 40 CM - 16"
 -LEGS HEIGHT 31 CM - 12"

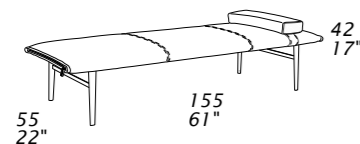
P019D



NEW YORK

STANDARD FEATURES
 -HARD WOOD FRAME
 -SEAT CUSHION IN POLYURETHANE
 -METAL BASE WITH ALL CUSTOMIZING FINISHINGS
 -SEAT HEIGHT 42 CM - 17"
 -LEGS HEIGHT 30 CM - 12"

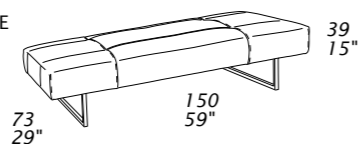
P016D



PASSEPARTOUT

STANDARD FEATURES
 -HARD WOOD FRAME
 -SEAT CUSHION IN POLYURETHANE
 -METAL BASE WITH ALL CUSTOMIZING FINISHINGS
 -SEAT HEIGHT 39 CM - 15"
 -LEGS HEIGHT 19 CM - 7"

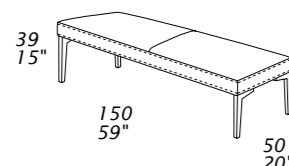
P012D



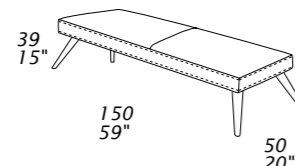
PEPPER

STANDARD FEATURES
 -HARD WOOD FRAME
 -SEAT CUSHION IN POLYURETHANE
 -METAL BASE WITH ALL CUSTOMIZING FINISHINGS
 -SEAT HEIGHT 39 CM - 15"
 -LEGS HEIGHT 26 CM - 10"

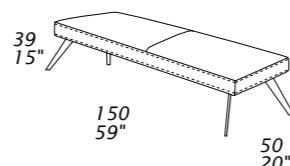
P007-A WOOD LEGS



P007-C CONE LEGS



P007-D METAL LEGS



-P007-A WITH WOOD LEGS

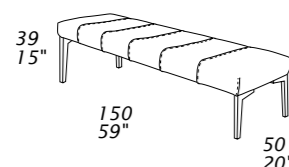
P007-A WOOD LEGS FINISH



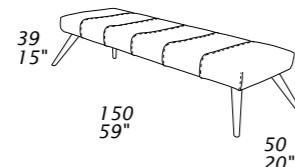
SAYONARA

STANDARD FEATURES
 -HARD WOOD FRAME
 -SEAT CUSHION IN POLYURETHANE
 -METAL BASE WITH ALL CUSTOMIZING FINISHINGS
 -SEAT HEIGHT 39 CM - 15"
 -LEGS HEIGHT 26 CM - 10"

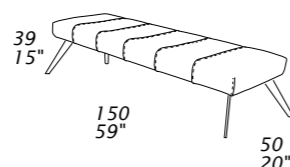
P009-A WOOD LEGS



P009-C CONE LEGS



P009-D METAL LEGS



-P009-A WITH WOOD LEGS

P009-A WOOD LEGS FINISH



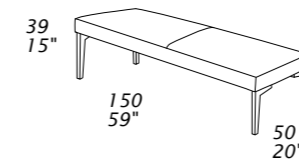
Dimensions: the first figure shows sizes in centimeters, the second in inches.
 Each piece is made by hand and has its own uniqueness. Measures may vary with a tolerance up to 3%.

BENCHES

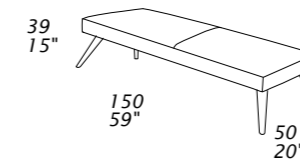
TULIP

STANDARD FEATURES
 -HARD WOOD FRAME
 -SEAT CUSHION IN POLYURETHANE
 -METAL BASE WITH ALL CUSTOMIZING FINISHINGS
 -SEAT HEIGHT 39 CM - 15"
 -LEGS HEIGHT 26 CM - 10"

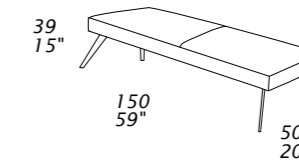
P008-A WOOD LEGS



P008-C CONE LEGS



P008-D METAL LEGS



-P008-A WITH WOOD LEGS

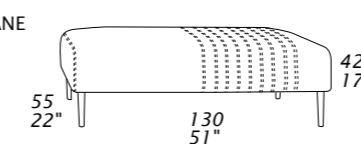
P008-A WOOD LEGS FINISH



TUXEDO

STANDARD FEATURES
 -HARD WOOD FRAME
 -SEAT CUSHION IN POLYURETHANE
 -METAL BASE WITH ALL CUSTOMIZING FINISHINGS

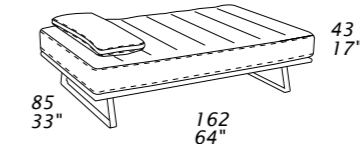
P016D



RENEGADE

STANDARD FEATURES
 -HARD WOOD FRAME
 -SEAT CUSHION IN POLYURETHANE
 -METAL BASE WITH ALL CUSTOMIZING FINISHINGS

P012D

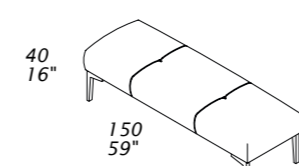


-P0024-A WITH WOOD LEGS

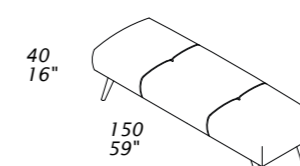
YOKO

STANDARD FEATURES
 -HARD WOOD FRAME
 -SEAT CUSHION IN POLYURETHANE
 -METAL BASE WITH ALL CUSTOMIZING FINISHINGS
 -SEAT HEIGHT 40 CM - 16"
 -LEGS HEIGHT 26 CM - 10"

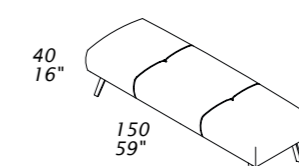
P024-A WOOD LEGS



P024-C CONE LEGS



P024-D METAL LEGS



P0024-A WOOD LEGS FINISH

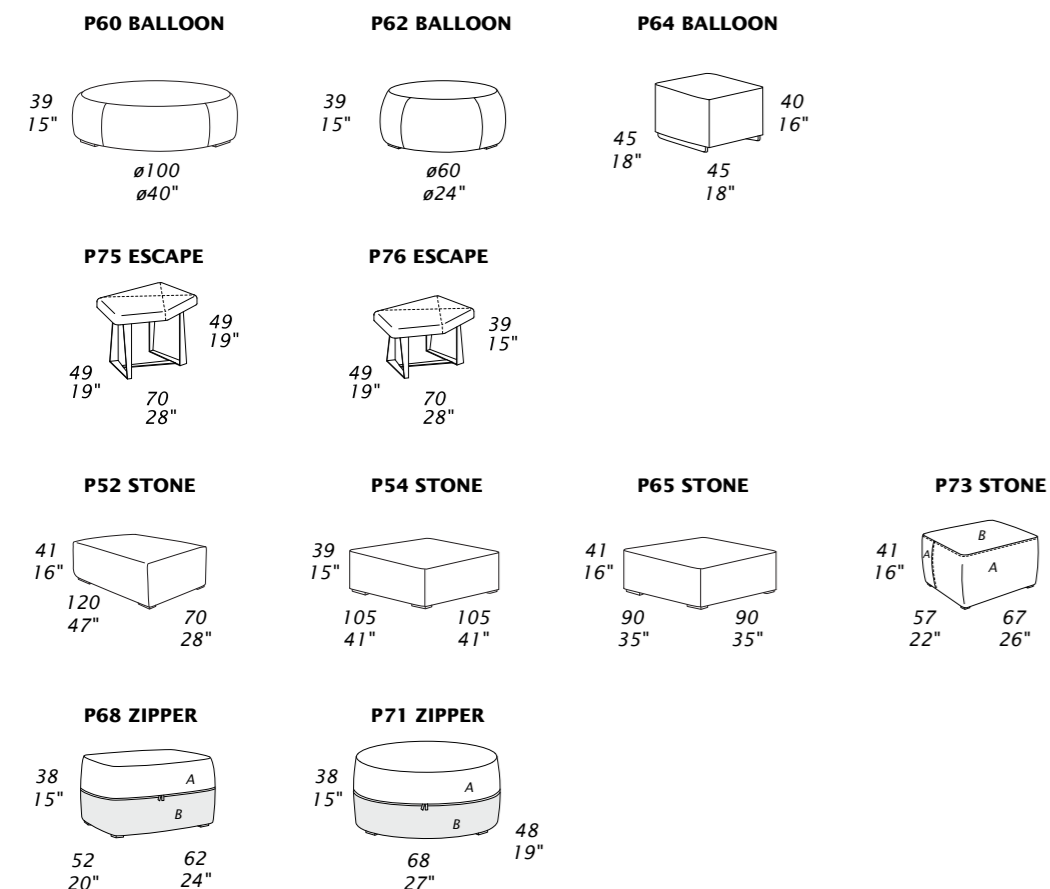


Dimensions: the first figure shows sizes in centimeters, the second in inches.
 Each piece is made by hand and has its own uniqueness. Measures may vary with a tolerance up to 3%.

OTTOMANS

STANDARD FEATURES

- HARD WOOD FRAME
- PADDING IN POLYURETHANE



Dimensions: the first figure shows sizes in centimeters, the second in inches.
Each piece is made by hand and has its own uniqueness. Measures may vary with a tolerance up to 3%.

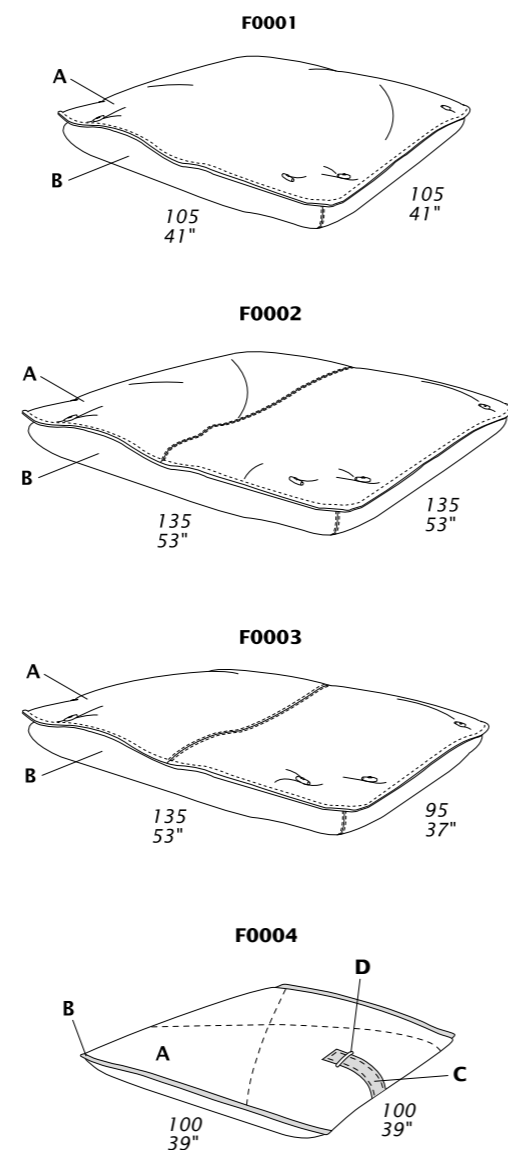
Technical sheet

FLOOR PILLOWS

Design Giuseppe Viganò

STANDARD FEATURES

- PADDING IN POLYURETHANE COVERED WITH FEATHER

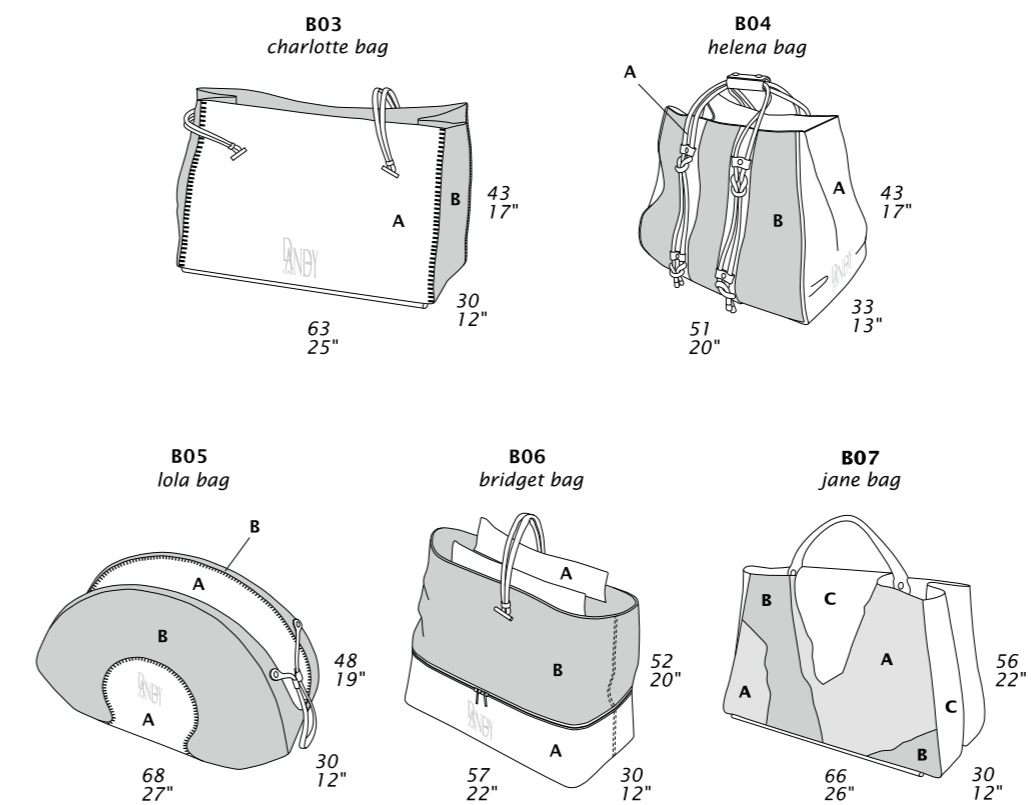


Dimensions: the first figure shows sizes in centimeters, the second in inches.
Each piece is made by hand and has its own uniqueness. Measures may vary with a tolerance up to 3%.

Technical sheet

BAGS

Design Giuseppe Viganò

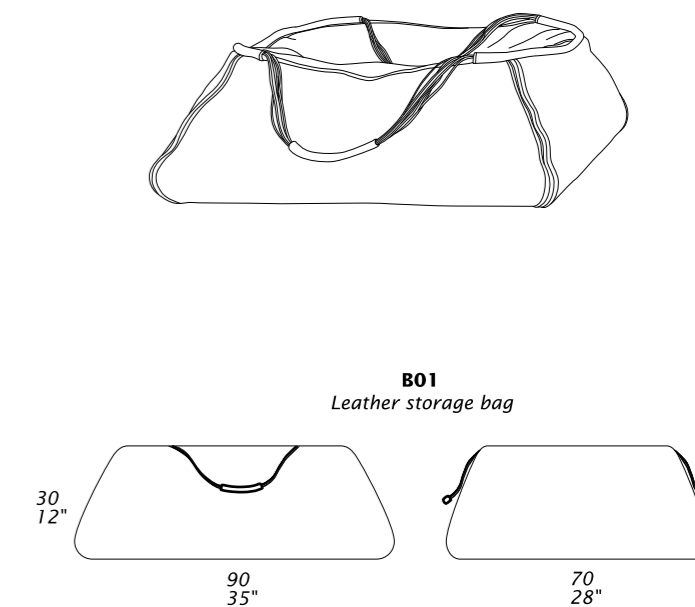


Dimensions: the first figure shows sizes in centimeters, the second in inches.
Each piece is made by hand and has its own uniqueness. Measures may vary with a tolerance up to 3%.
Dandy's Newspapers Bag, coordinated in the same cover and style to the sofa.

Technical sheet

BIG BAG

Design Giuseppe Viganò



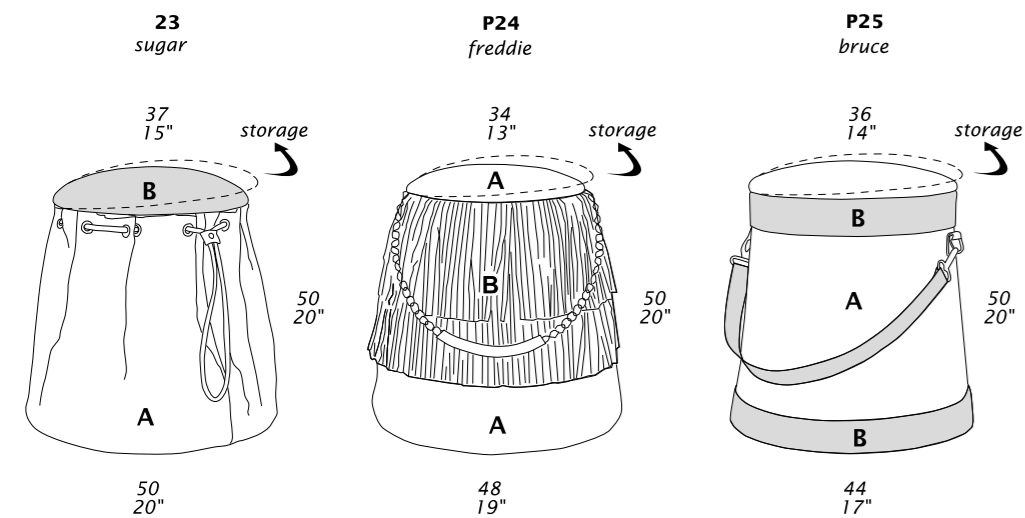
Dimensions: the first figure shows sizes in centimeters, the second in inches.
Each piece is made by hand and has its own uniqueness. Measures may vary with a tolerance up to 3%.

Technical sheet

SMART STOOLS

Design Giuseppe Viganò

- TOP AVAILABLE ON UP-CHARGE IN:
GLASS OR CERAMIC WITH ALL
CUSTOMIZING FINISHINGS



Dimensions: the first figure shows sizes in centimeters, the second in inches.
Each piece is made by hand and has its own uniqueness. Measures may vary with a tolerance up to 3%.
Smart stools coordinated in the same cover and style to the sofa.

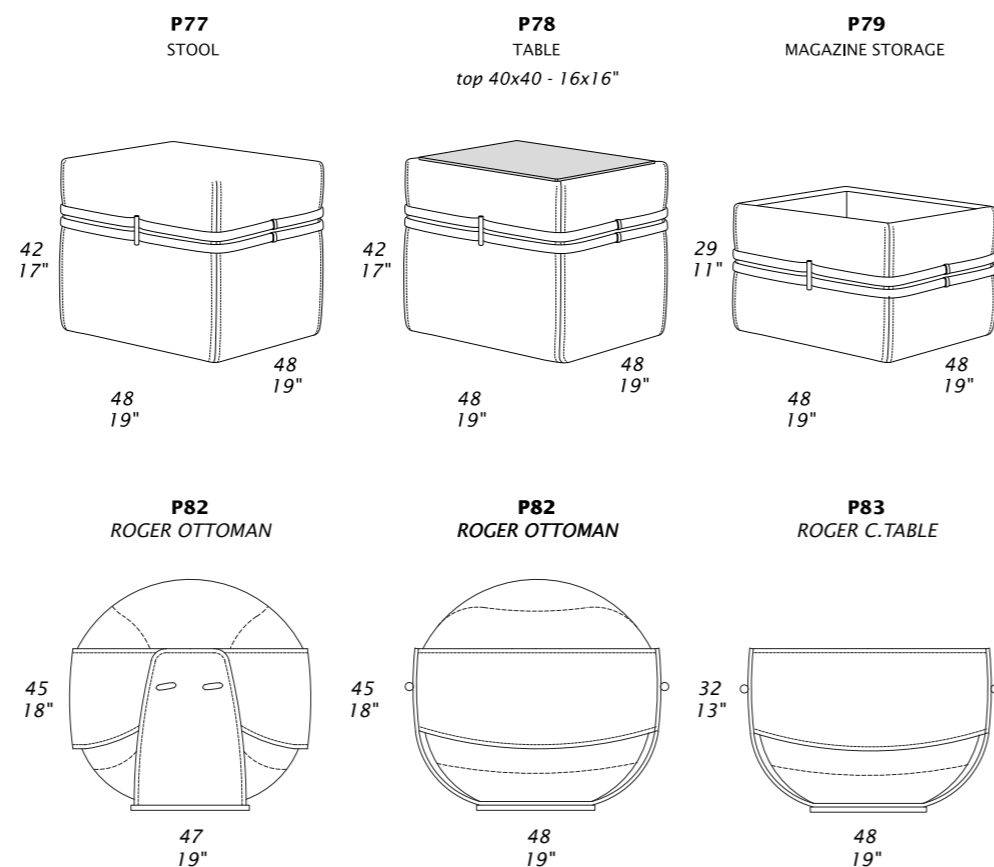
Technical sheet

SMART ACCESSORIES

Design Giuseppe Viganò

TABLE

- TOP AVAILABLE ON UP-CHARGE IN:
GLASS OR CERAMIC WITH ALL
CUSTOMIZING FINISHINGS
P83 AVAILABLE ALSO WITH MARBLE



Dimensions: the first figure shows sizes in centimeters, the second in inches.
Each piece is made by hand and has its own uniqueness. Measures may vary with a tolerance up to 3%.
Smart accessories coordinated in the same cover and style to the sofa.

Technical sheet

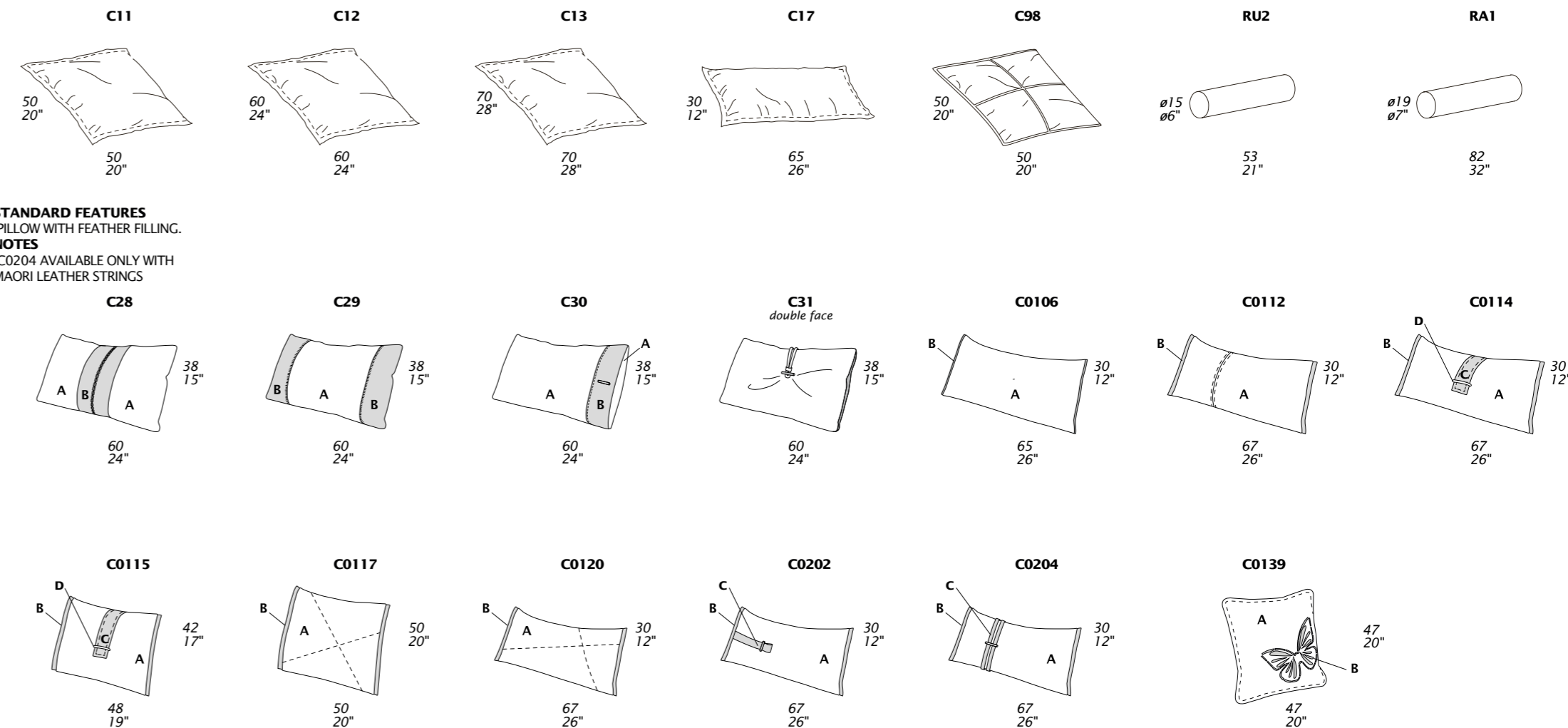
ROYAL PILLOWS

STANDARD FEATURES

-PILLOW WITH FEATHER FILLING.
-ROLL CUSHION/HEADREST WITH POLYURETHANE FILLING

NOTES

-AVAILABLE WITH ANY STITCHING OF THE COLLECTION.



STANDARD FEATURES

-PILLOW WITH FEATHER FILLING.

NOTES



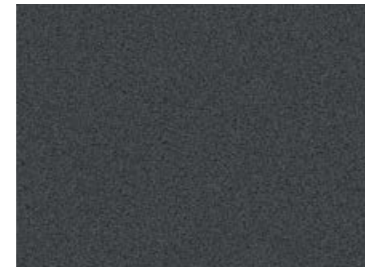
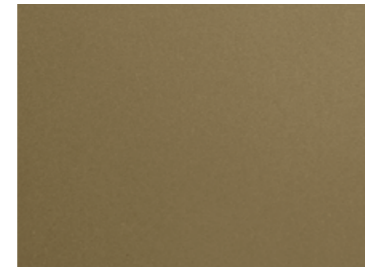

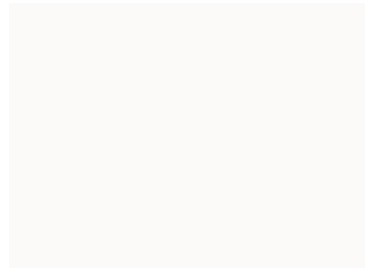
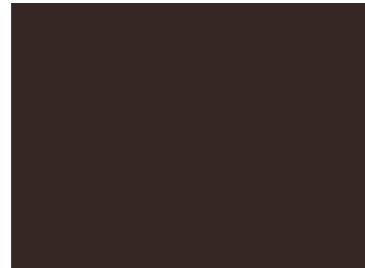

-C0204 AVAILABLE ONLY WITH
MAORI LEATHER STRINGS

Dimensions: the first figure shows sizes in centimeters, the second in inches.
Each piece is made by hand and has its own uniqueness. Measures may vary with a tolerance up to 3%.

Technical sheet

CUSTOMIZING


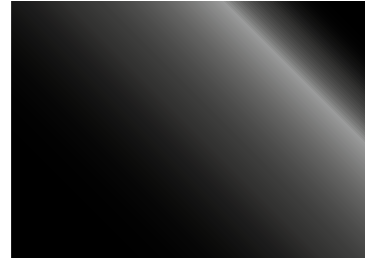
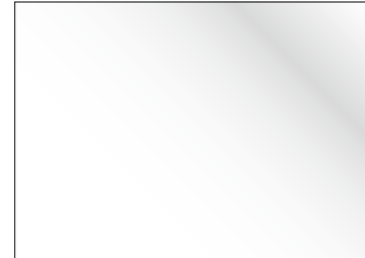
METAL FINISHING

CHROME 	TITANIUM 	ANTHRACITE 	BRASS 	COPPER 
RAL 9003 - SIGNAL WHITE 	RAL 8019 - GREY BROWN 	RAL 9005 - JET BLACK 		

WOOD FINISHING




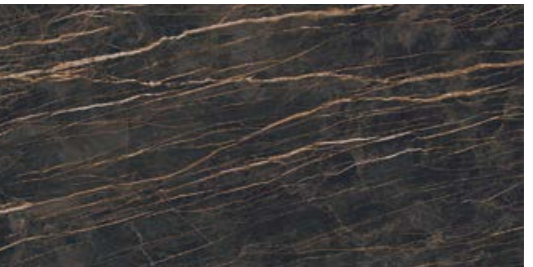



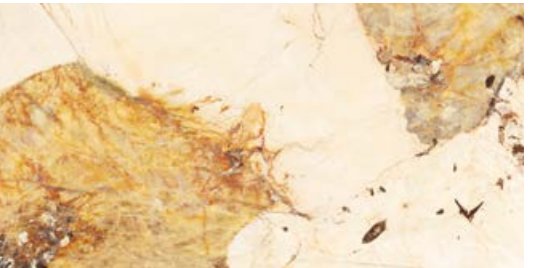

WENGÉ COL.06


GLASS FINISHING

MIRRORED BRONZE 	BACK LAQUERED BLACK - RAL 9005 	BACK LAQUERED WHITE - RAL 9003 
--------------------------------------------------------------------------------------------------------	-----------------------------------------------------------------------------------------------------------------------	------------------------------------------------------------------------------------------------------------------------

CUSTOMIZING

CERAMIC FINISHING

LAGOON STONE 	LIMESTONE 	TERRA 	NOIR DESIR 
ANTRACITE 	OSSIDO BRUNO 	STONE GREY 	PATAGONIA 
CALACATTA GOLD 			

N.B. EACH CERAMIC CAN EXHIBIT COLOUR AND STRUCTURAL DIFFERENCES.

MARBLE FINISHING

EMPERADOR DARK 	PALISSANDRO FIORITO 	PALISSANDRO BLU NUVOLATO 	SAHARA NOIR 
---------------------------------------------------------------------------------------------------------	--------------------------------------------------------------------------------------------------------------	-------------------------------------------------------------------------------------------------------------------	------------------------------------------------------------------------------------------------------

N.B. EACH MARBLE, BEING A NATURAL PRODUCT, IS A ONE-OF-A-KIND PIECE AND CAN THEREFORE EXHIBIT COLOUR AND STRUCTURAL DIFFERENCES.

AD STUDIO VIGANÒ

PHOTO EOLO RADONI

PREPRESS MONOGRAMMA

PRINT GRAFICA GIOIA

DANDY
HOME COLLECTION

100% hand made in Italy

by

GAMMA ARREDAMENTI INTERNATIONAL Spa

PART OF

DEXELANCE

HEADQUARTERS

Via PITAGORA 3 - 47121 FORLÌ (FC) - Italia

PH. +39 0543 708311

e-mail: info@gammarr.it

USA Branch

GAMMA ARREDAMENTI INTERNATIONAL Inc.

108 SOUTH WALNUT CIRCLE - SUITE B, GREENSBORO, NC 27409

PH. +1 336 886 8060

e-mail: infousa@gammarr.it

