


























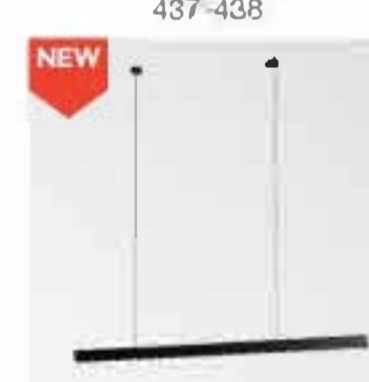
L'ARTE  LUCE®



# CEILING SUSPENDED OVERVIEW

At Arcmooi, beauty and quality are visible in the design of the luminaries as well as in workmanship, surface finishes and intuitive functions. The passionate commitment to aesthetics, attention to detail and a holistic way of thinking perfectly accentuate the harmony of the interior design, in terms of both - look and function.



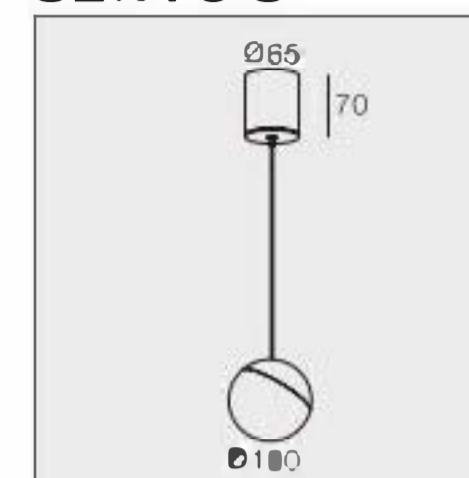
					
					
					
					
					

# SENTO



INTERIOR  
CEILING SURFACE/SUSPENDED

## SENTO S



**REQUIREMENTS**  
LED POWER SUPPLY 500mA-DC  
NO FLICKER

3800111

3000K/4000K CRI>80

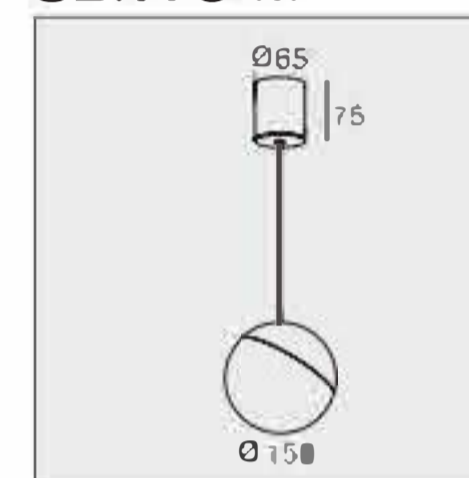
9W / 220-240VAC 50-60HZ

NOT DIMMING

Δ SW / S



## SENTO M



**REQUIREMENTS**  
LED POWER SUPPLY 250mA-DC  
NO FLICKER

3800112

3000K/4000K CRI>80

9W / 220-240VAC 50-60HZ

NOT DIMMING

Δ SW / S



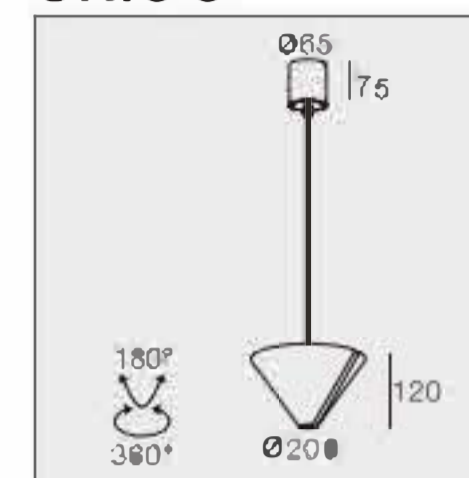


# CRIS



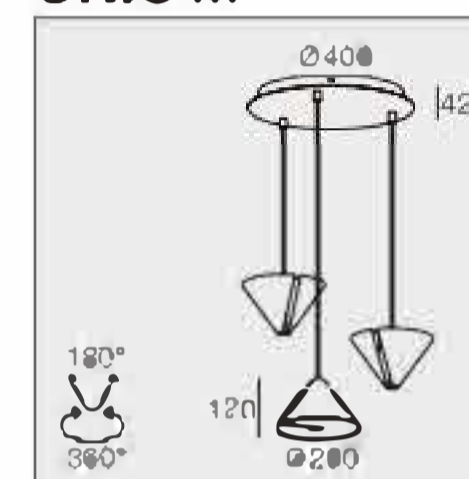
INTERIOR  
CEILING SURFACE/SUSPENDED

## CRIS S



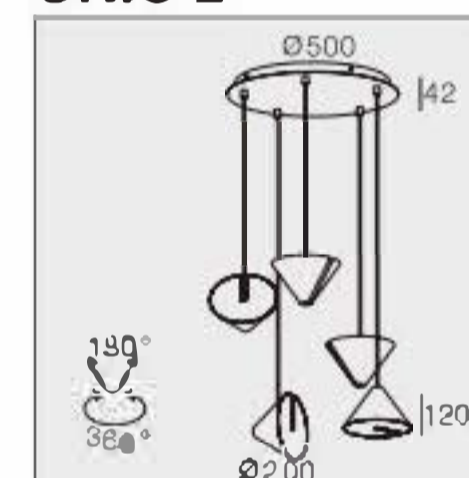
**REQUIREMENTS**  
LED POWER SUPPLY 350mA-DC  
NO FLICKER

## CRIS M



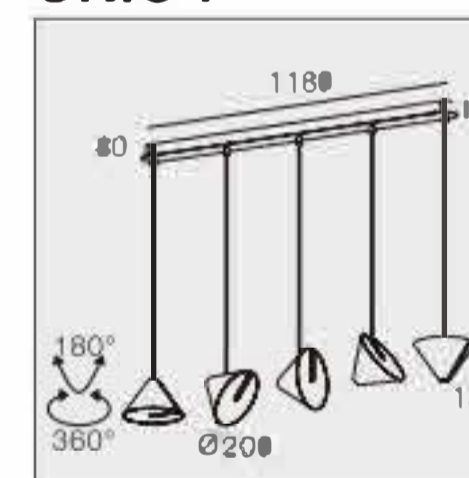
**REQUIREMENTS**  
LED POWER SUPPLY 1050mA-DC  
NO FLICKER

## CRIS L



**REQUIREMENTS**  
LED POWER SUPPLY 1750mA-DC  
NO FLICKER

## CRIS T



**REQUIREMENTS**  
LED POWER SUPPLY 350+1400mA-DC  
NO FLICKER

3800211

3000K/4000K CRI>80

12W / 220-240VAC 50-60HZ

NOT DIMMING

Δ SW / SB



3800231

3000K/4000K CRI>80

35W / 220-240VAC 50-60HZ

NOT DIMMING

Δ SW / SB



3800251

3000K/4000K CRI>80

60W / 220-240VAC 50-60HZ

NOT DIMMING

Δ SB



3800252

3000K/4000K CRI>80

60W / 220-240VAC 50-60HZ

NOT DIMMING

Δ SB



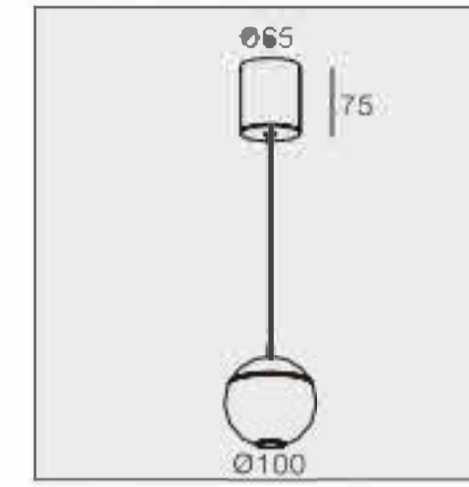


# APPLE



INTERIOR  
CEILING SURFACE/SUSPENDED

## APPLE



3800911

3000K/4000K CRI>80

7W / 220-240VAC50-60HZ

8°

12°

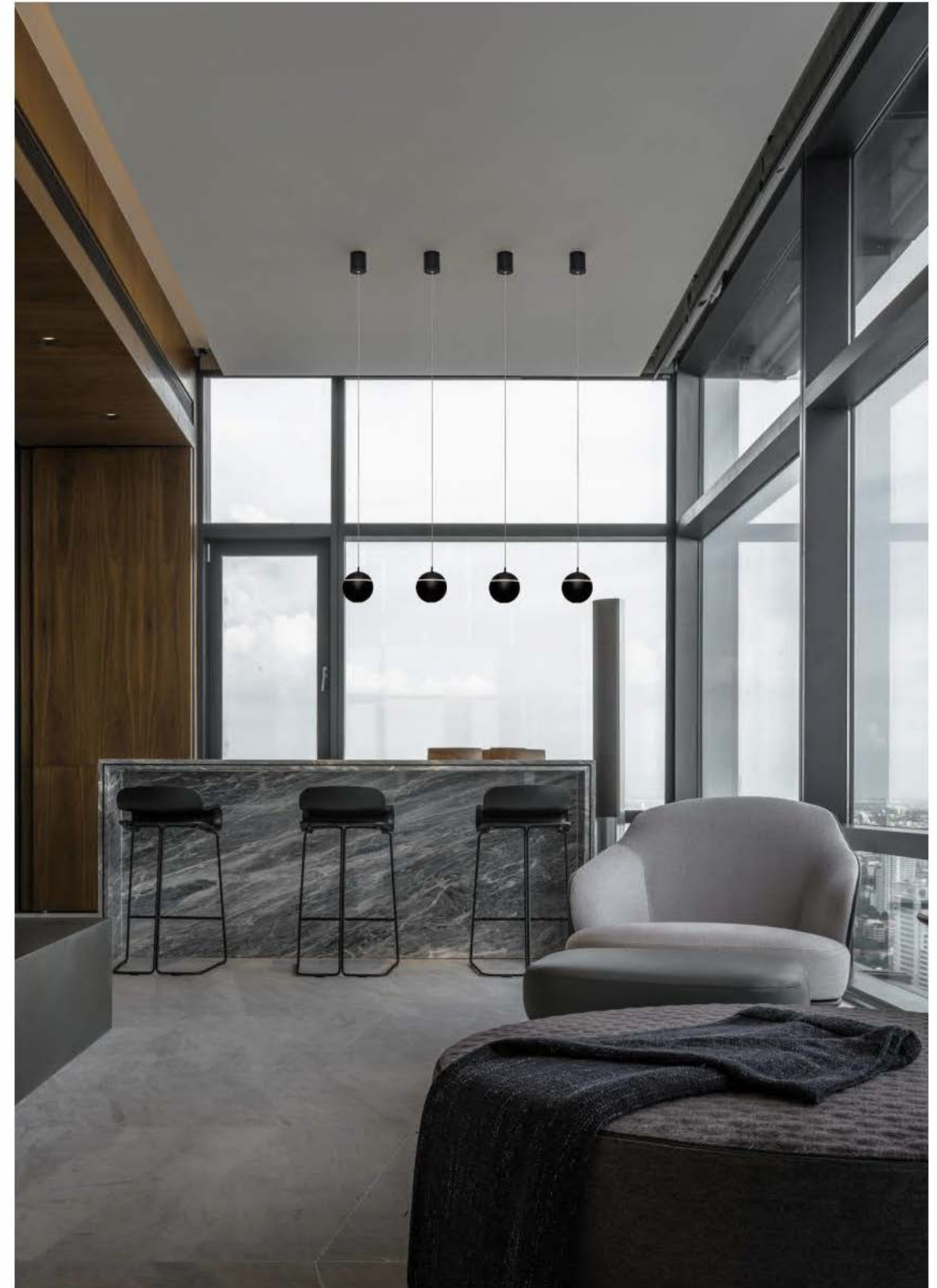
24°

40°

SS

**REQUIREMENTS**  
LED POWER SUPPLY 350mA-DC  
NO FLICKER





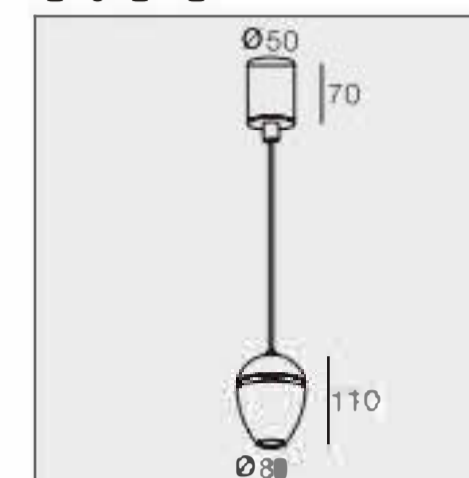


# OVO



INTERIOR  
CEILING SURFACE/SUSPENDED

## OVO S

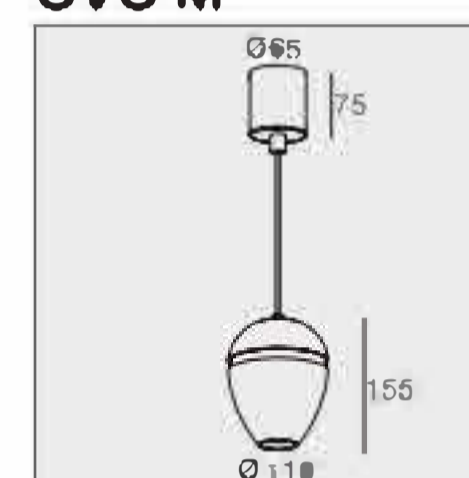


**REQUIREMENTS**  
LED POWER SUPPLY 350mA-DC  
NO FLICKER

3801212			
3000K/4000K CRI>80			
7W / 220-240VAC 50-60HZ			
8°	12°	24°	40°
outer(SW) + inner(SG)			



## OVO M



**REQUIREMENTS**  
LED POWER SUPPLY 700mA-DC  
NO FLICKER

3801211		
3000K / 4000K CRI>80		
10W / 220-240VAC 50-60HZ		
15°	24°	30°
outer(SW/SB) + inner(SW/SG)		



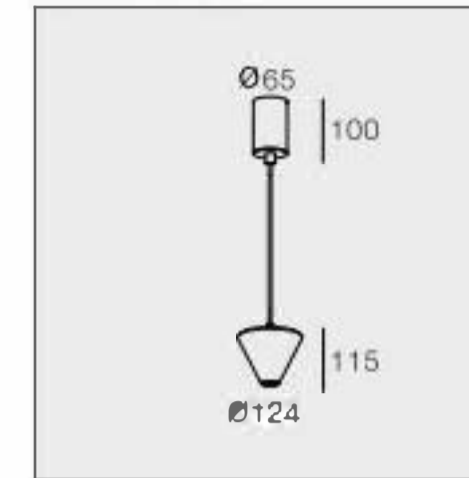


# CONE



INTERIOR  
CEILING SURFACE/SUSPENDED

## CONE S

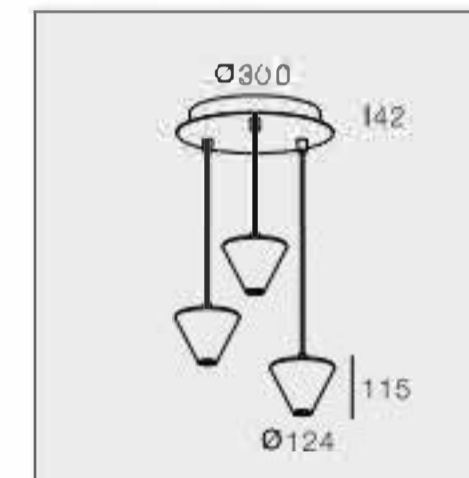


3801311			
3000K/4000K CRI>80			
7W / 220-240VAC 50-60HZ			
8°	12°	24°	40°
▲ SB			



**REQUIREMENTS**  
LED POWER SUPPLY 500mA-DC  
NO FLICKER

## CONE M



3801331			
3000K/4000K CRI>80			
25W / 220-240VAC 50-60HZ			
8°	12°	24°	40°
▲ SB			



**REQUIREMENTS**  
LED POWER SUPPLY 500mA-DC  
NO FLICKER

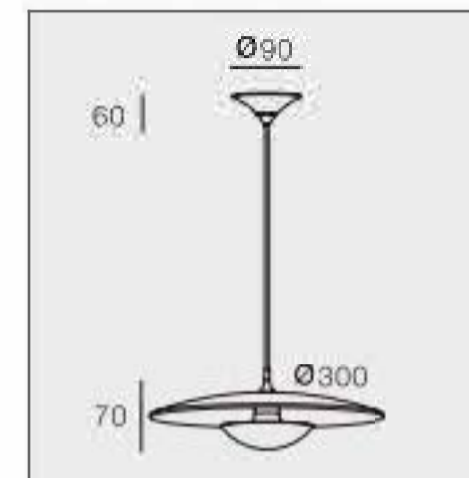


# UFO 2.0



INTERIOR  
CEILING SURFACE/SUSPENDED

## UFO 2.0 A



**REQUIREMENTS**  
LED POWER SUPPLY 350mA-DC  
NO FLICKER

3605501

3000K/4000K CRI>80

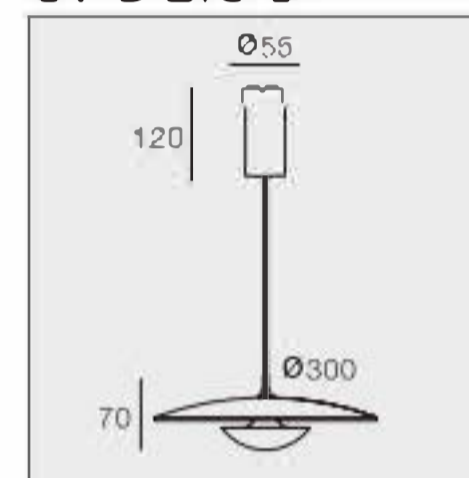
13W / 220-240VAC 50-60HZ

NOT DIMMING

outer(SW / SB / SG / SC)+inner(SG)



## UFO 2.0 B



**REQUIREMENTS**  
LED POWER SUPPLY 350mA-DC  
NO FLICKER

3605503

3000K/4000K CRI>80

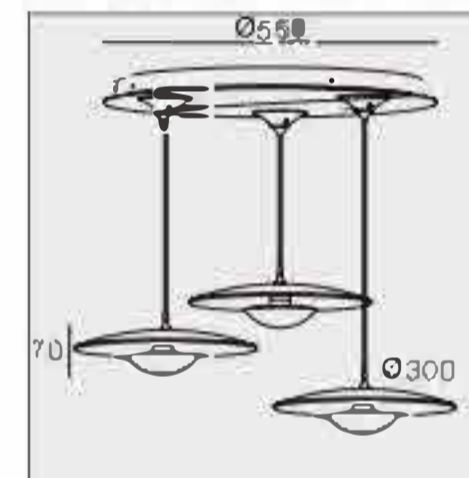
13W / 220-240VAC 50-60HZ

NOT DIMMING

outer(SW / SB / SG / SC)+inner(SG)



## UFO 2.0 TRIPLE



**REQUIREMENTS**  
LED POWER SUPPLY 700mA-DC  
NO FLICKER

3605530

3000K/4000K CRI>80

3\*6.5W / 220-240VAC 50-60HZ

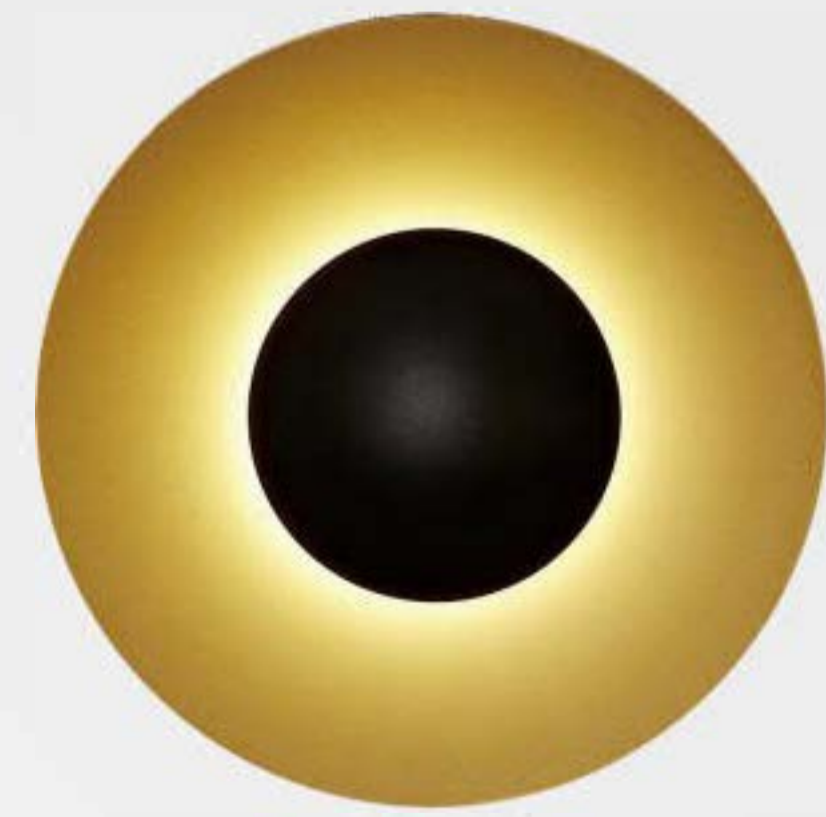
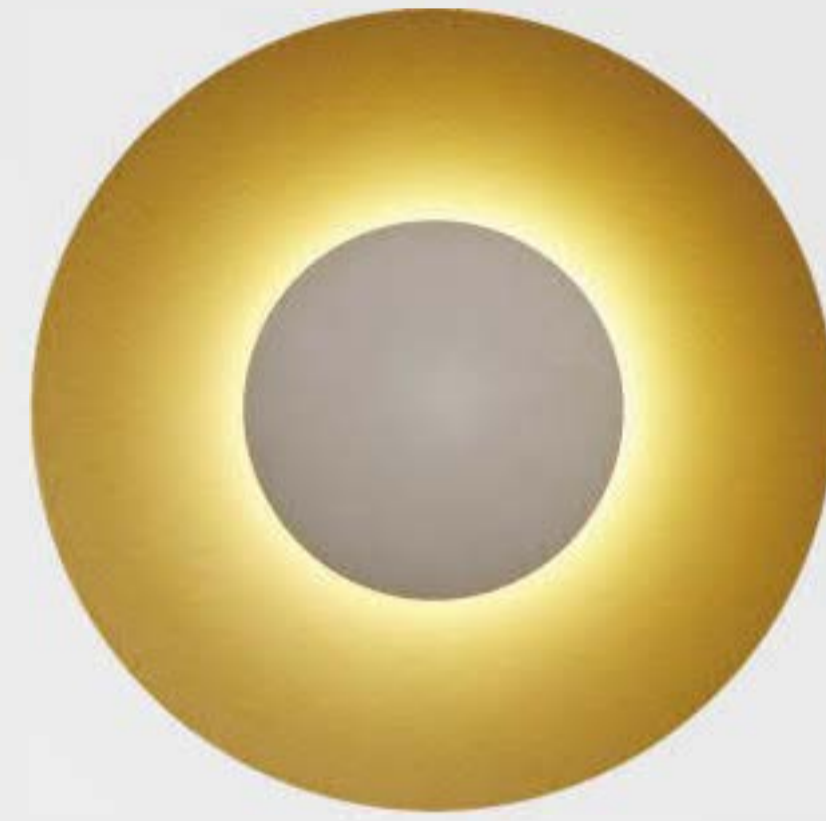
NOT DIMMING

outer(SW / SB / SG / SC)+inner(SG)



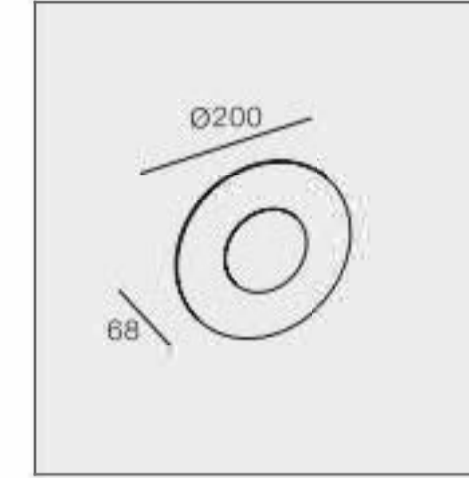


# UFO 2.0 W



INTERIOR  
WALL SURFACE

## UFO 2.0 W



4605501

3000K / 4000K CRI>80

6W / 220-240VAC 50-60Hz

NOT DIMMING

SW / SB / SC / SG

**REQUIREMENTS**  
LED POWER SUPPLY 350mA-DC  
NO FLICKER







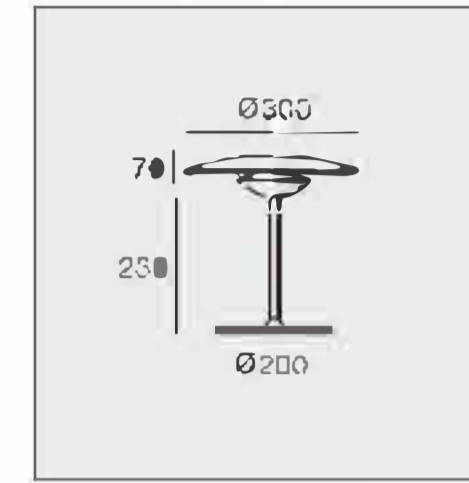
# UFO 2.0 T



Touch control brightness

INTERIOR  
TABLE LAMP

## UFO 2.0 T



6605502

3000K / 4000K CRI>80

13W / 220-240VAC 50-60HZ

TOUCH DIMMING

ΔSW / S/S/SC

**REQUIREMENTS**  
LED POWER SUPPLY 500mA-DC  
NO FLICKER



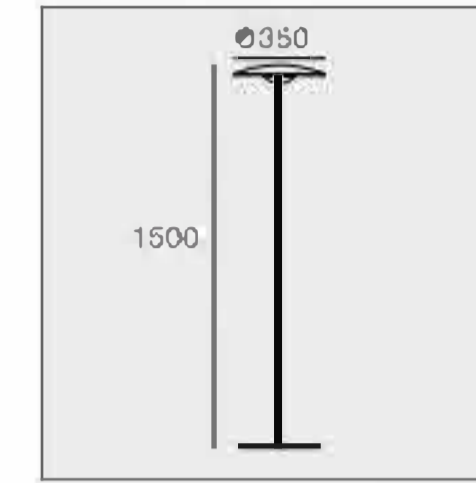


# UFO 2.0 F



INTERIOR  
FLOOR LAMP

## UFO 2.0 F



6605503

3000K / 4000K CRI>80

13W / 220-240VAC 50-60HZ

NOT DIMMING

SW / S / SC

**REQUIREMENTS**  
LED POWER SUPPLY 500mA-DC  
NO FLICKER



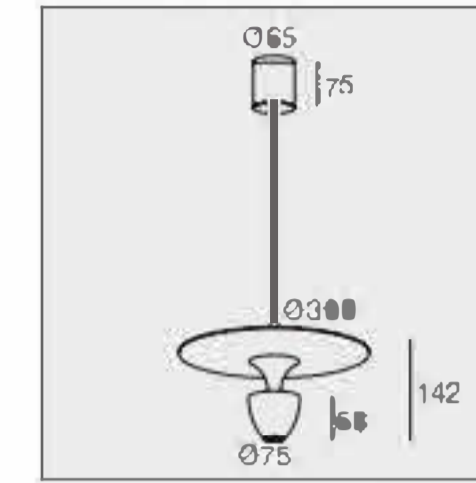


# UFO 3.0



INTERIOR  
CEILING SURFACE/SUSPENDED

## UFO 3.0 S

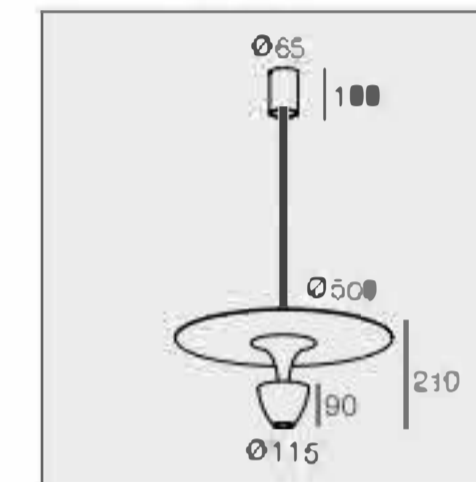


**REQUIREMENTS**  
LED POWER SUPPLY 250mA-DC  
NO FLICKER

3801412			
3000K/4000K CRI>80			
7W / 220-240VAC 50-60HZ			
8°	12°	24°	40°
outer(S) + inner(SW/SG)			



## UFO 3.0 M



**REQUIREMENTS**  
LED POWER SUPPLY 700mA-DC  
NO FLICKER

3801413		
3000K/4000K CRI>80		
10W / 220-240VAC 50-60HZ		
15°	24°	36°
outer(S) + inner(SW/SG)		



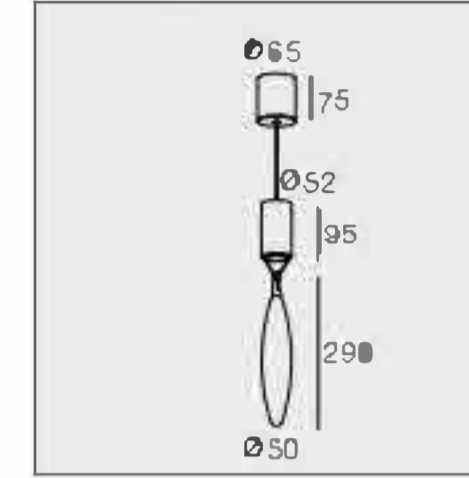


# GOLD



INTERIOR  
CEILING SURFACE/SUSPENDED

## GOLD



**REQUIREMENTS**  
LED POWER SUPPLY 700mA-DC  
NO FLICKER

3801711

3000K/4000K CRI>80

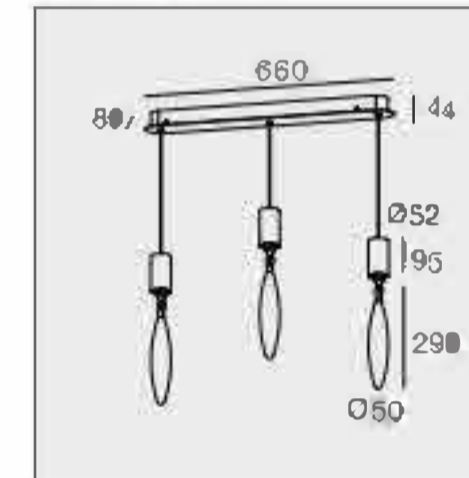
7W / 220-240VAC 50-60HZ

NOT DIMMING

▾ SB / SC



## GOLD T3



**REQUIREMENTS**  
LED POWER SUPPLY 350-600mA-DC  
NO FLICKER

3801731

3000K/4000K CRI>80

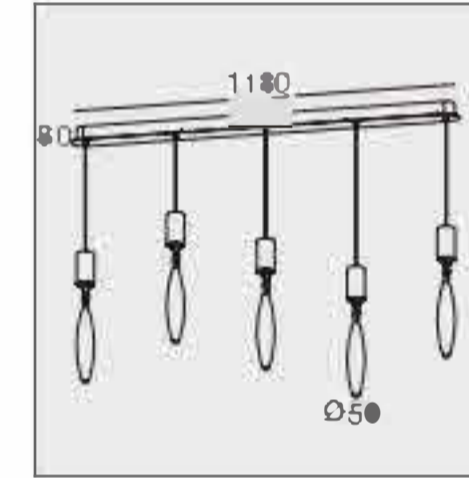
18W / 220-240VAC 50-60HZ

NOT DIMMING

▾ SC



## GOLD T5



**REQUIREMENTS**  
LED POWER SUPPLY 900mA-DC  
NO FLICKER

3801751

3000K/4000K CRI>80

38W / 220-240VAC 50-60HZ

NOT DIMMING

▾ SC





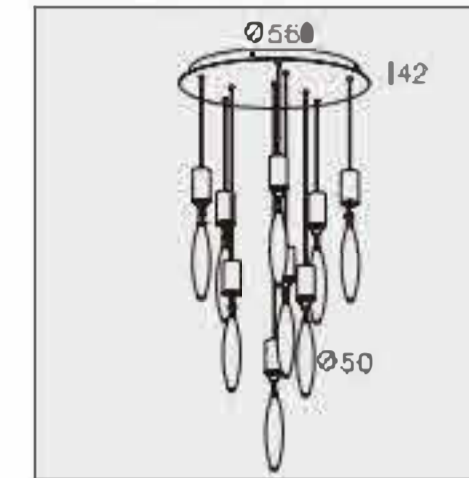


# GOLD P



INTERIOR  
CEILING SURFACE/SUSPENDED

## GOLD P9



**REQUIREMENTS**  
LED POWER SUPPLY 900-1750mA-DC  
NO FLICKER

3801771

3000K/4000K CRI>80

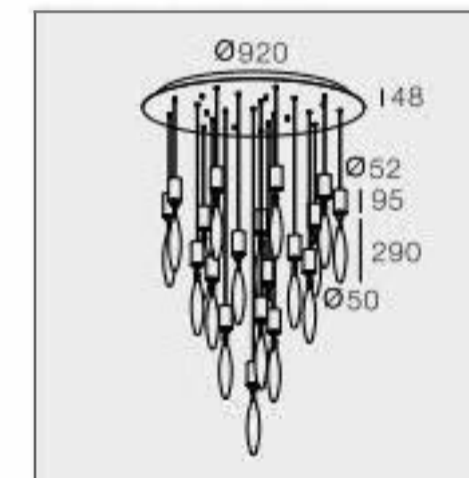
5W / 220-240VAC 50-60HZ

NOT DIMMING

Δ SC



## GOLD P19



**REQUIREMENTS**  
LED POWER SUPPLY 1400+1750mA-DC  
NO FLICKER

3801772

3000K/4000K CRI>80

135W / 220-240VAC 50-60HZ

NOT DIMMING

Δ SC



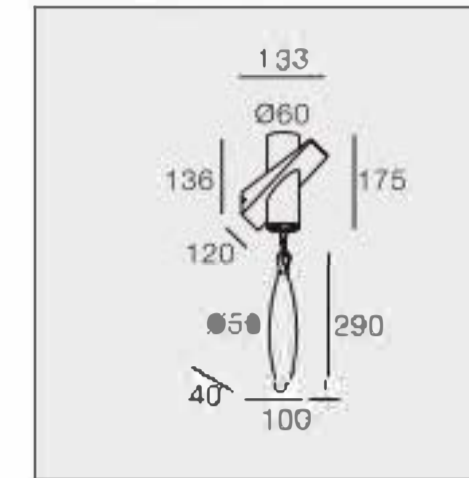


# GOLD W



INTERIOR  
WALL SURFACE

## GOLD W



4801711

3000K / 4000K CRI>80

9W / 220-240VAC 50-60Hz

NOT DIMMING

LS / SC

**REQUIREMENTS**  
LED POWER SUPPLY 350mA-DC  
NO FLICKER

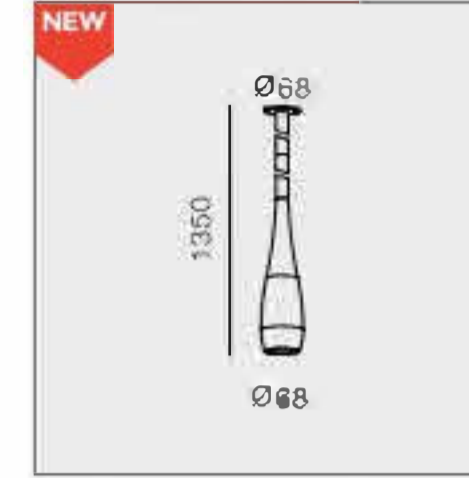


# NEW CANDY



INTERIOR  
CEILING RECESSED/SUSPENDED

## CANDY 135



**REQUIREMENTS**  
LED POWER SUPPLY 150mA-DC  
NO FLICKER

3609001		
3000K/4000K CRI>80		
6W / 220-240VAC 50-60HZ		
15°	22°	30°
▲SRC		



## CANDY 150



**REQUIREMENTS**  
LED POWER SUPPLY 150mA-DC  
NO FLICKER

3609002		
3000K/4000K CRI>80		
6W / 220-240VAC 50-60HZ		
15°	22°	30°
▲SRC		



## CANDY 180



**REQUIREMENTS**  
LED POWER SUPPLY 150mA-DC  
NO FLICKER

3609003		
3000K/4000K CRI>80		
6W / 220-240VAC 50-60HZ		
15°	22°	30°
▲SRC		



## CANDY 200



**REQUIREMENTS**  
LED POWER SUPPLY 150mA-DC  
NO FLICKER

3609004		
3000K/4000K CRI>80		
6W / 220-240VAC 50-60HZ		
15°	22°	30°
▲SRC		







### CURLING



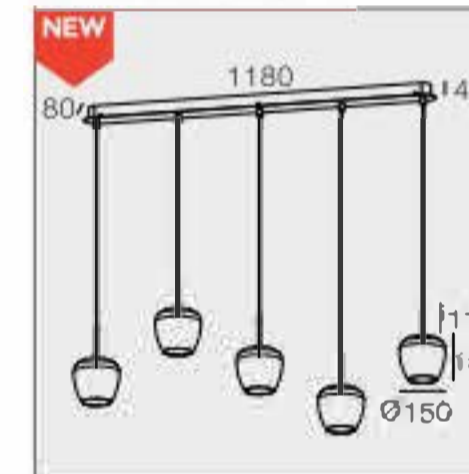
**REQUIREMENTS**  
LED POWER SUPPLY 700mA-DC  
NO FLICKER

### CURLING M



**REQUIREMENTS**  
LED POWER SUPPLY 700mA-DC  
NO FLICKER

### CURLING T



**REQUIREMENTS**  
LED POWER SUPPLY 700mA-DC  
NO FLICKER

### CURLING L



**REQUIREMENTS**  
LED POWER SUPPLY 700mA-DC  
NO FLICKER

3802411	
3000K/4000K CRI>80	
3W / 220-240VAC 50-60HZ	
17°	40°
Δ AMBER / CLEAR / SMOKE	

3802431	
3000K/4000K CRI>80	
9W / 220-240VAC 50-60HZ	
17°	40°
Δ AMBER / CLEAR / SMOKE	

3802451	
3000K/4000K CRI>80	
15W / 220-240VAC 50-60HZ	
17°	40°
Δ AMBER / CLEAR / SMOKE	

3802461	
3000K/4000K CRI>80	
18W / 220-240VAC 50-60HZ	
17°	40°
Δ AMBER / CLEAR / SMOKE	

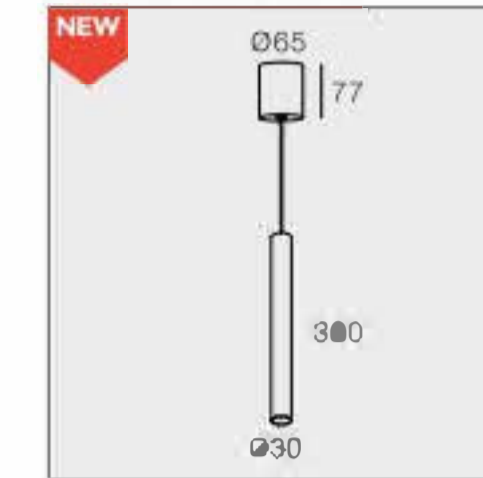


# NEW RUSS



INTERIOR  
CEILING SURFACE/SUSPENDED

## RUSSRO P



**REQUIREMENTS**  
LED POWER SUPPLY 250mA-DC  
NO FLICKER

3302015		
3000K/4000K CRI>80		
7.5W / 220-240VAC 50-60HZ		
12°	24°	40°
Δ SB		

## RUSSSQ P



**REQUIREMENTS**  
LED POWER SUPPLY 250mA-DC  
NO FLICKER

3302014		
3000K/4000K CRI>80		
7.5W / 220-240VAC 50-60HZ		
12°	24°	40°
Δ SB		

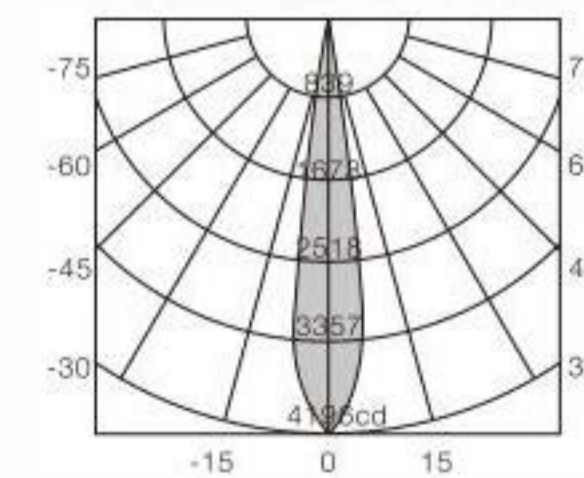
## RUSSSQ M P



**REQUIREMENTS**  
LED POWER SUPPLY 350mA-DC  
NO FLICKER

3302017		
3000K/4000K CRI>80		
10W / 220-240VAC 50-60HZ		
15°	30°	40°
Δ SB		

3302017 10W 15° 3000K



1.0	4.12	0.28
2.0	1.04	0.56
3.0	3.08	0.84
4.0	2.02	1.12
5.0	1.07	1.40
H(m)	E(x)	D(m)



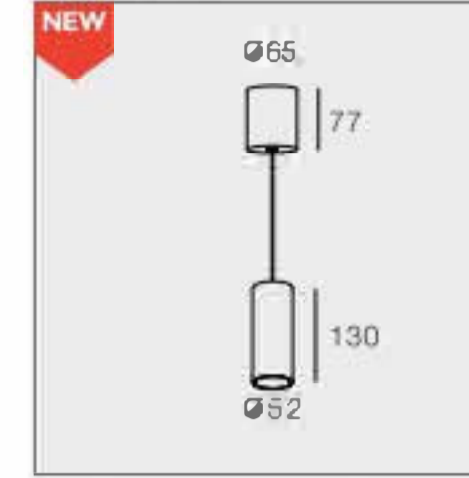


**NEW KELLY**



INTERIOR  
CEILING SURFACE/SUSPENDED

**KELLY**



**REQUIREMENTS**  
LED POWER SUPPLY 350mA-DC  
NO FLICKER

3300324			
3000K/4000K CRI>80			
10W / 220-240VAC 50-60HZ			
15°	22°	30°	50°
Δ S			



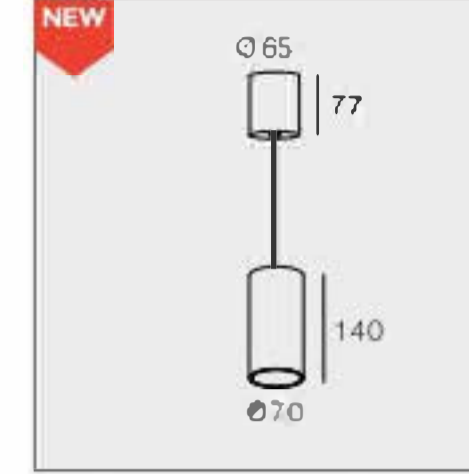
**NEW** IKO



INTERIOR  
CEILING SURFACE/SUSPENDED

**IKO**

NEW



3300335

3000K/4000K CRI>80

21W / 220-240VAC 50-60HZ

15°

24°

36°

50°

Δ S

**REQUIREMENTS**  
LED POWER SUPPLY 700mA-DC  
NO FLICKER



**NEW** KAAVIA



INTERIOR  
CEILING RECESSED/SUSPENDED

**KAAVIA S**



CUTOUT: Ø50

**REQUIREMENTS**  
LED POWER SUPPLY 700mA-DC  
NO FLICKER

**KAAVIA M**



CUTOUT: Ø50

**REQUIREMENTS**  
LED POWER SUPPLY 700mA-DC  
NO FLICKER

3306621

3000K/4000K CRI>80

3W / 220-240VAC 50-60HZ

24°

ΔSW



3306631

3000K/4000K CRI>80

3W / 220-240VAC 50-60HZ

24°

ΔSB



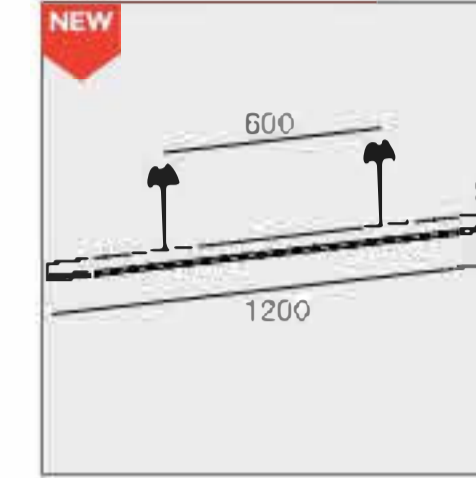


# NEW BOBBY IN



INTERIOR  
CEILING RECESSED/SUSPENDED

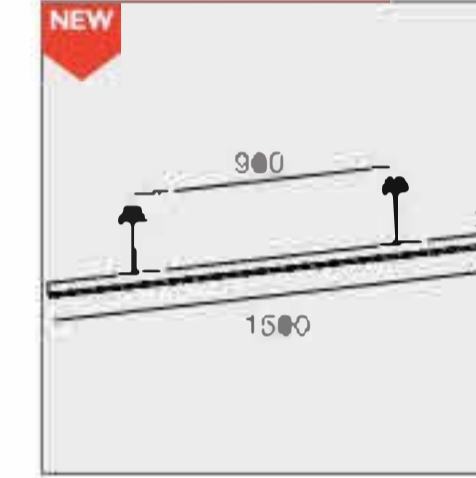
## BOBBY IN S



CUTOUT: Ø50

3302910		
3000K/4000K CRI>80		
24W / 220-240VAC 50-60HZ		
15°	24°	36°
Δ SB		

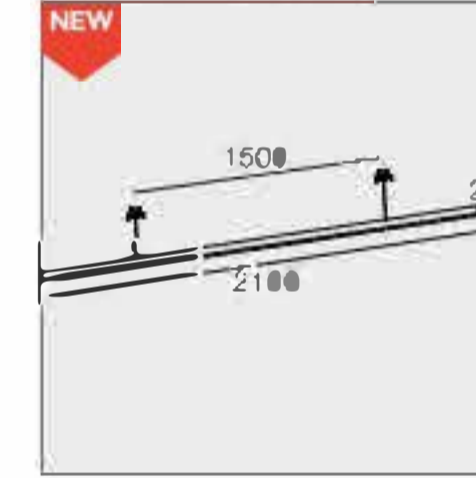
## BOBBY IN M



CUTOUT: Ø50

3302911		
3000K/4000K CRI>80		
30W / 220-240VAC 50-60HZ		
15°	24°	36°
Δ SB		

## BOBBY IN L



CUTOUT: Ø50

3302912		
3000K/4000K CRI>80		
42W / 220-240VAC 50-60HZ		
15°	24°	36°
Δ SB		



# WALL RECESSED OVERVIEW

Architectural wall mounted luminaires focus on adding lighting effects to ceiling or wall. The luminaires bring out the support structure and lend rooms a higher appearance. Ceiling decorated with stucco and paintings are given a new dimension. This series blends into its architectural surrounding.

The archetypal cubic or line design remains unobtrusive letting the luminaire recede in to the background.



## INTERIOR WALL RECESSED



BERRY AGS  
463-466



BERRY AGM  
463-466



BERRY AGL  
463-466



TRAMEL 1  
467-470



TRAMEL 2  
467-470



TRAMEL 3  
471-474



TRAMEL 4  
471-474



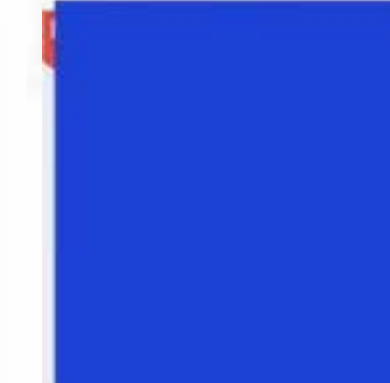
KEONNA  
475-478



LUXURY RE  
479-482



LUXURY EL  
479-482



BRIDGE  
481-484



HILTON  
495-496





# BERRY



BERRY AGS



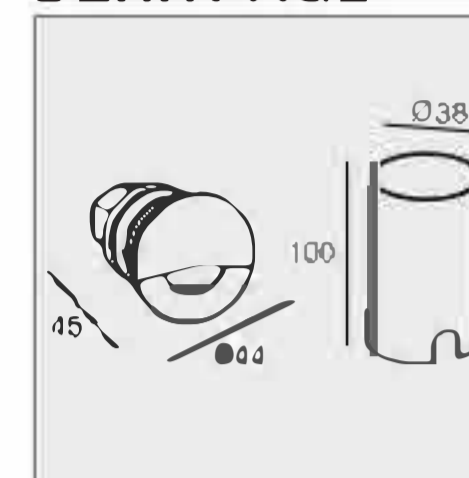
BERRY AGM



BERRY AGL

INTERIOR  
WALL RECESSED

## BERRY AGL



CUTOUT: Ø40

**REQUIREMENTS**  
LED POWER SUPPLY 700mA-DC  
NO FLICKER

4600901

3000K / 4000K CRI>80

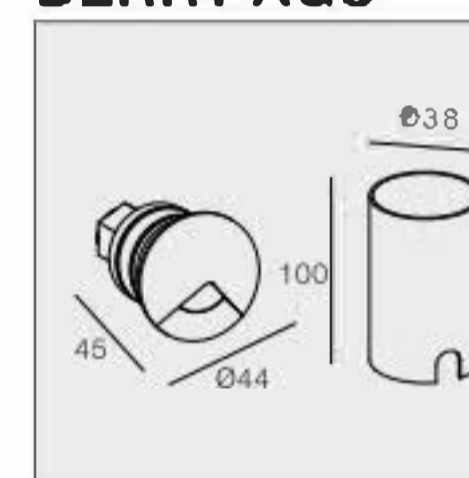
1.9W / 100-240VAC 50-60Hz

NOT DIMMING

SW / SB / SC



## BERRY AGS



CUTOUT: Ø40

**REQUIREMENTS**  
LED POWER SUPPLY 700mA-DC  
NO FLICKER

4600902

3000K / 4000K CRI>80

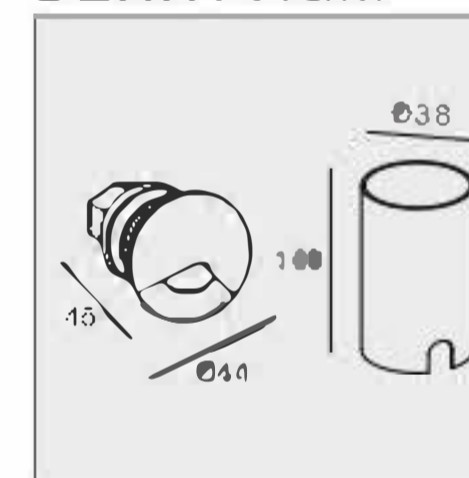
1.9W / 100-240VAC 50-60Hz

NOT DIMMING

SW / SB / SC



## BERRY AGM



CUTOUT: Ø40

**REQUIREMENTS**  
LED POWER SUPPLY 700mA-DC  
NO FLICKER

4600903

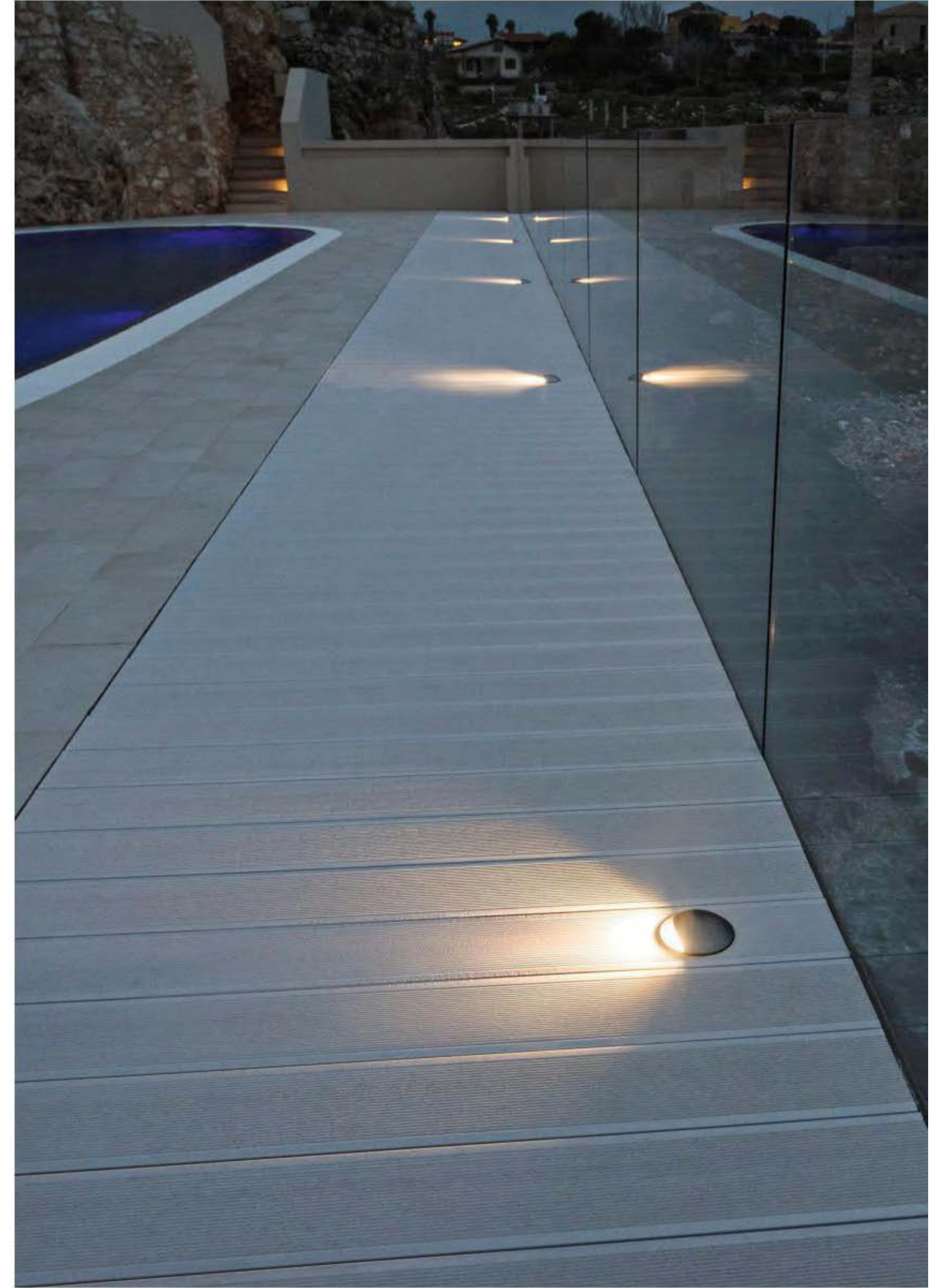
3000K / 4000K CRI>80

1.9W / 100-240VAC 50-60Hz

NOT DIMMING

SW / SB / SC





# TRAMEL

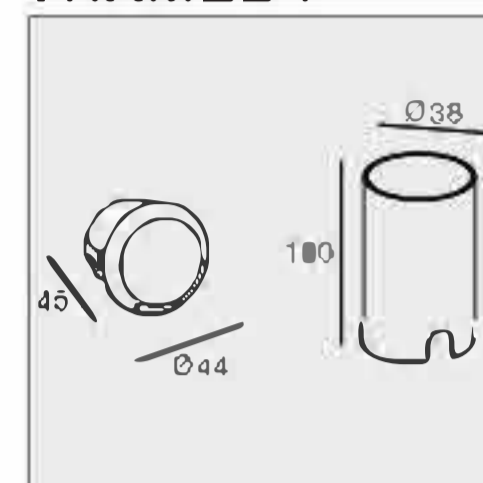


TRAMEL 1



TRAMEL 2

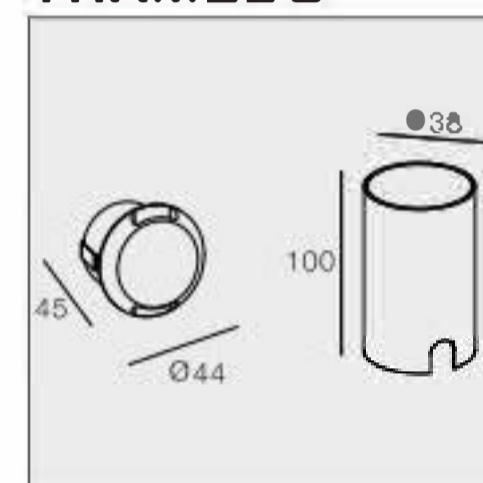
## TRAMEL 1



CUTOUT: Ø40

**REQUIREMENTS**  
LED POWER SUPPLY 700mA-DC  
NO FLICKER

## TRAMEL 2



CUTOUT: Ø40

**REQUIREMENTS**  
LED POWER SUPPLY 700mA-DC  
NO FLICKER

INTERIOR  
WALL RECESSED

4601001

3000K / 4000K CRI>80

1.9W / 100-240VAC 50-60Hz

NOT DIMMING

SW / SB / SC



4601002

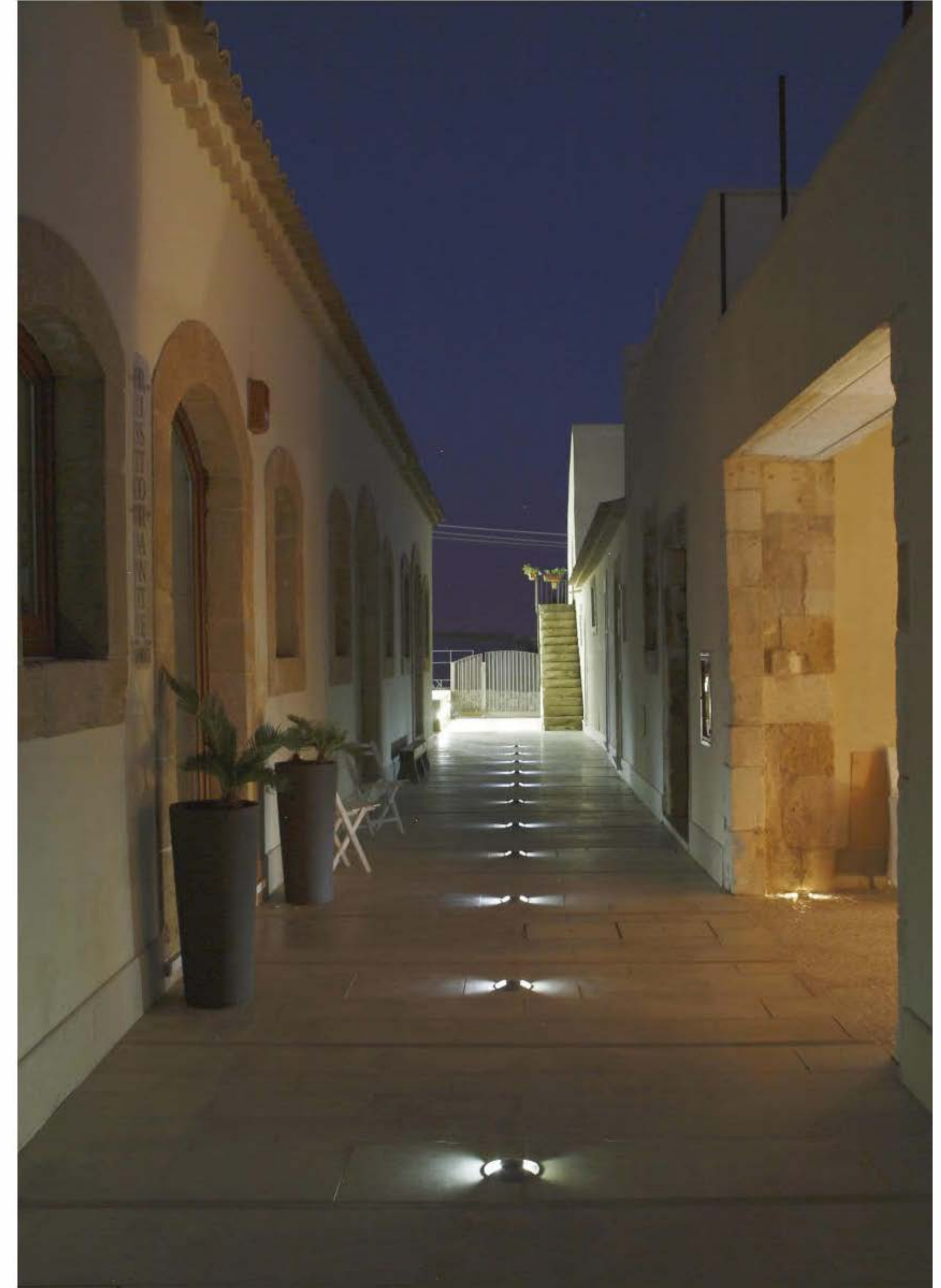
3000K / 4000K CRI>80

1.9W / 100-240VAC 50-60Hz

NOT DIMMING

SW / SB / SC





# TRAMEL



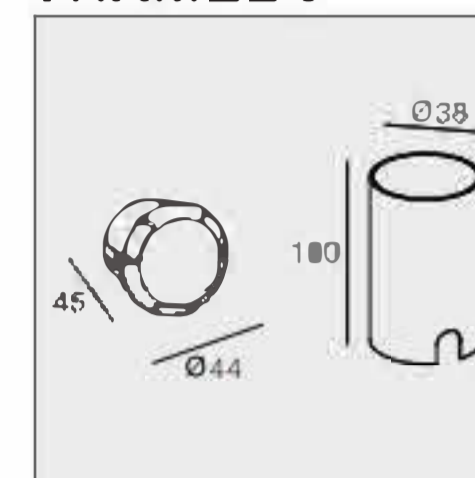
TRAMEL 3



TRAMEL 4

INTERIOR  
WALL RECESSED

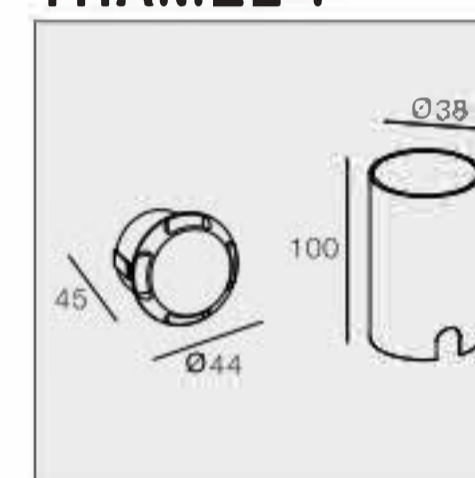
## TRAMEL 3



CUTOUT: Ø40

**REQUIREMENTS**  
LED POWER SUPPLY 700mA-DC  
NO FLICKER

## TRAMEL 4



CUTOUT: Ø40

**REQUIREMENTS**  
LED POWER SUPPLY 700mA-DC  
NO FLICKER

4601003

3000K / 4000K CRI>80

1.9W / 100-240VAC 50-60Hz

NOT DIMMING

SW / SB / SC



4601004

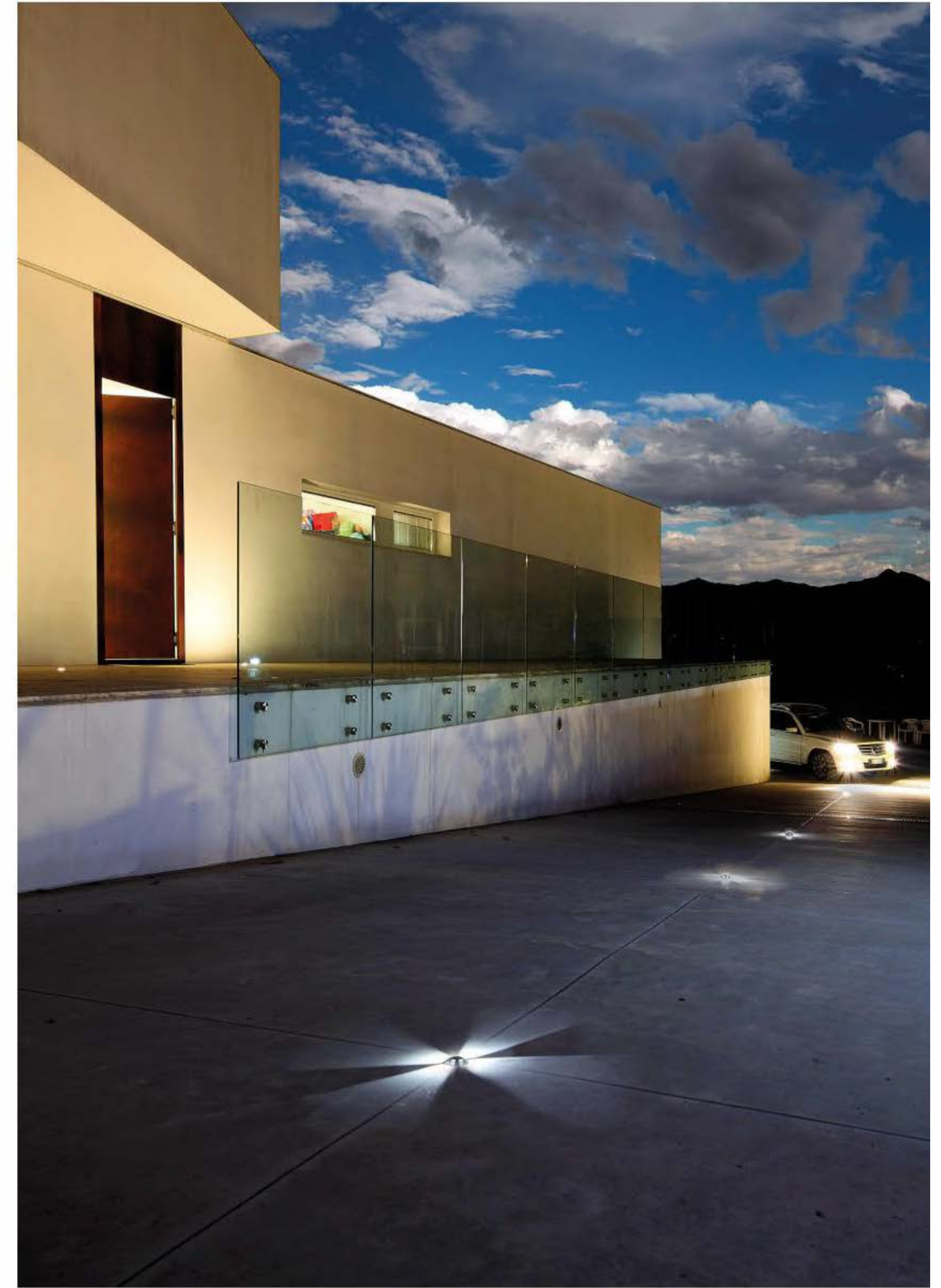
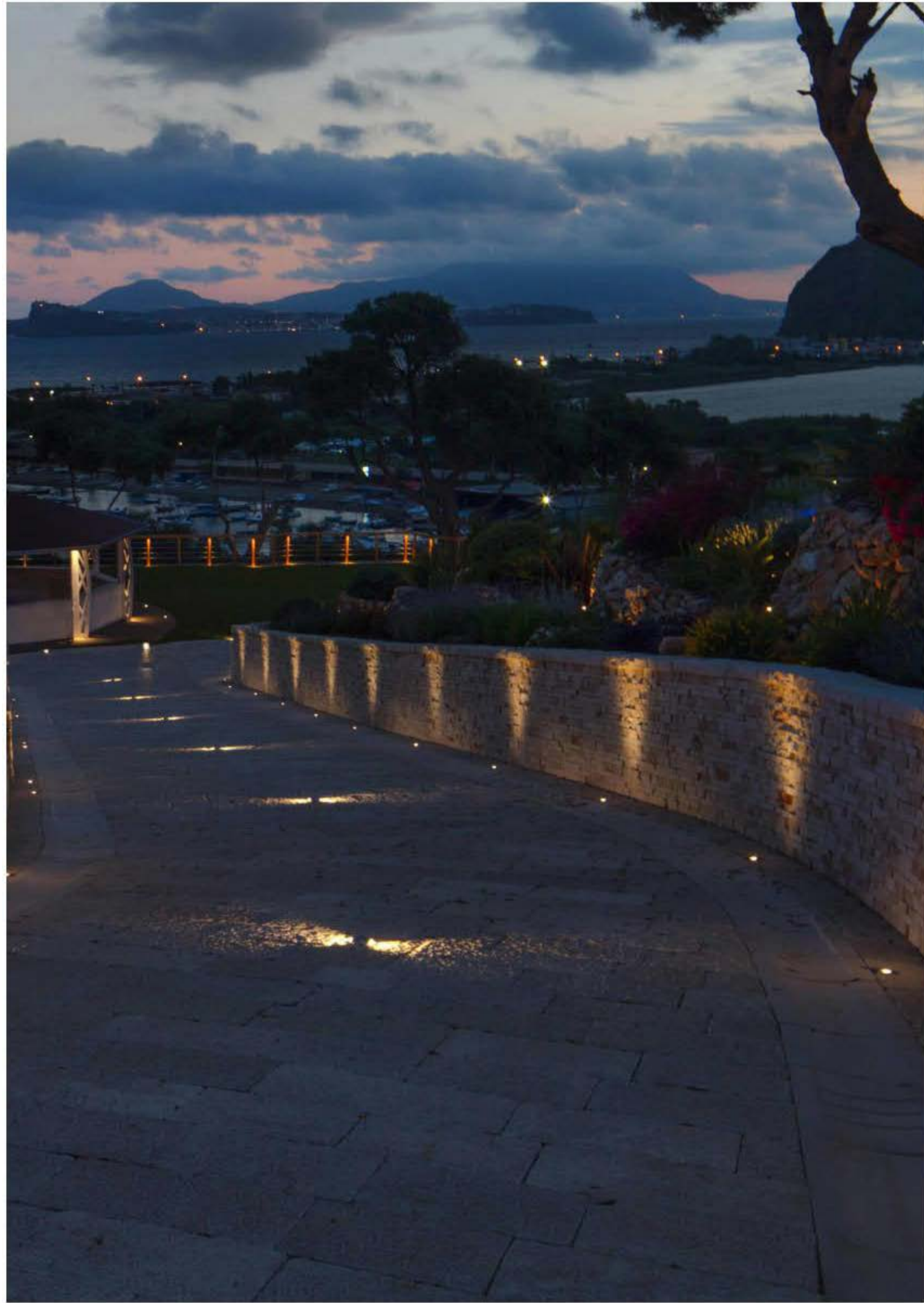
3000K / 4000K CRI>80

1.9W / 100-240VAC 50-60Hz

NOT DIMMING

SW / SB / SC





# KEONNA



Infrared/Body-induction

Photofonus

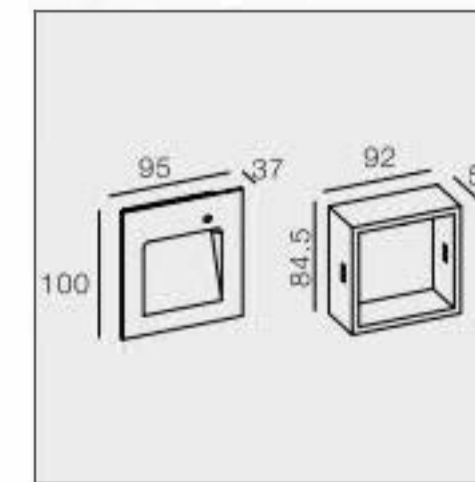
Day

Night



INTERIOR  
WALL RECESSED

## KEONNA



4649001

3000K / 4000K CRI>80

4W / 90-264VAC 50-60Hz

NOT DIMMING

SW / S<sub>0</sub> / SC

CUTOUT: 95\*87\*52

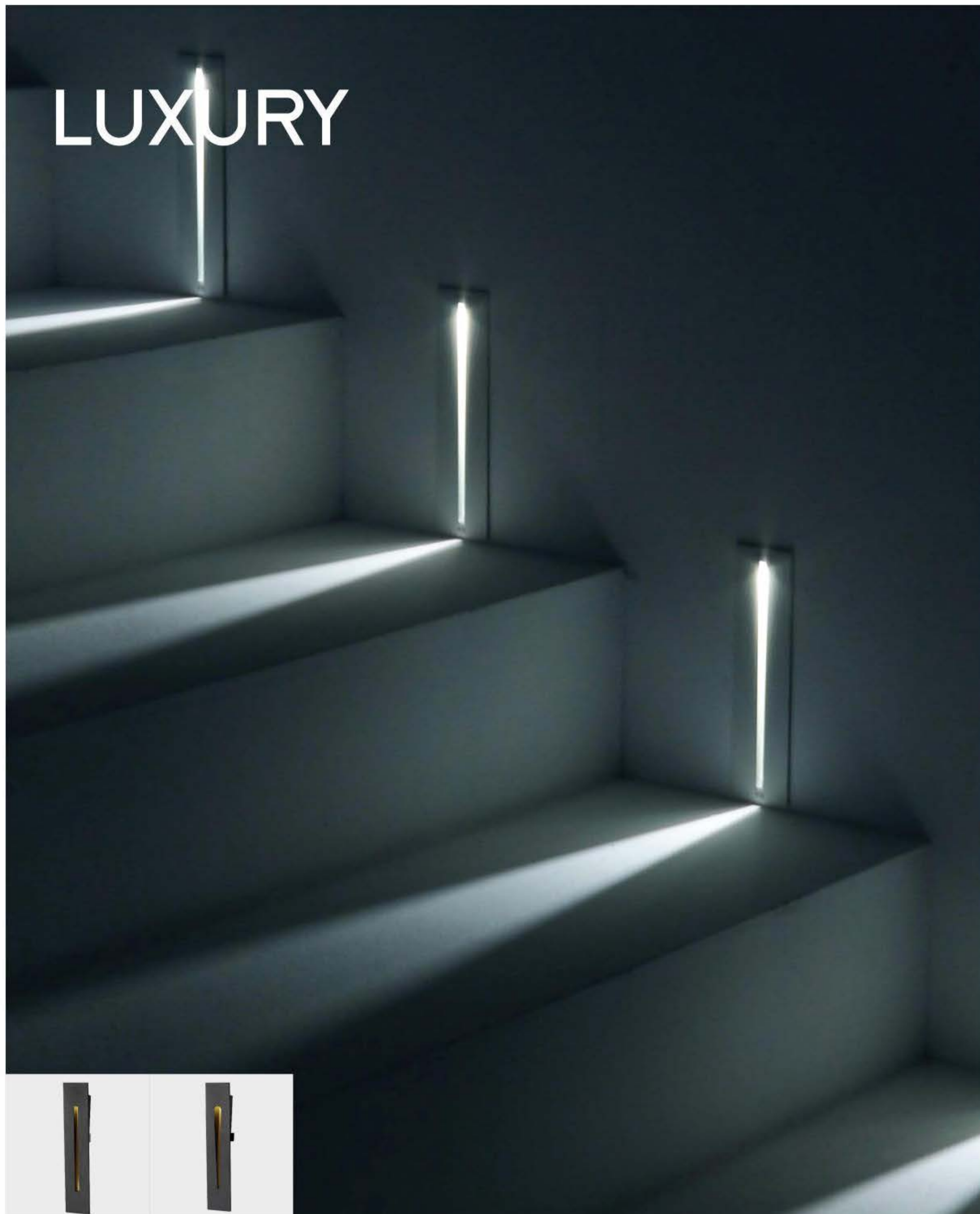
**REQUIREMENTS**  
LED POWER SUPPLY 350mA-DC  
NO FLICKER





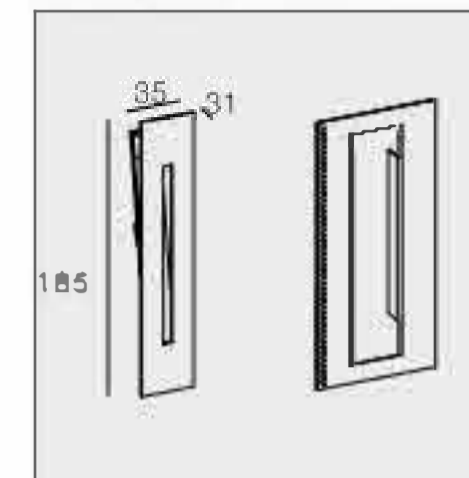


# LUXURY



INTERIOR  
WALL RECESSED

## LUXURY RE



CUTOUT: 170\*82\*45

**REQUIREMENTS**  
LED POWER SUPPLY 700mA-DC  
NO FLICKER

4606601

3000K / 4000K CRI>80

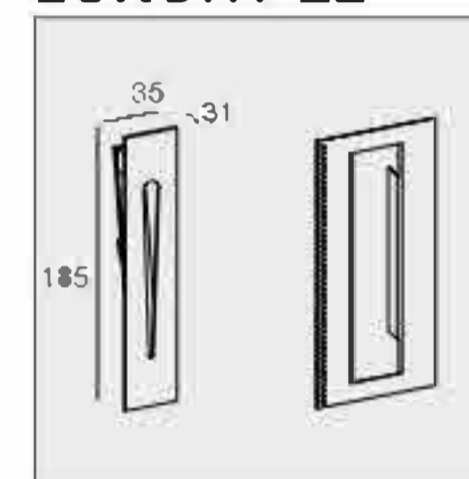
3W / 100-240VAC 50-60Hz

NOT DIMMING

SW / SB / SC



## LUXURY EL



CUTOUT: 170\*82\*45

**REQUIREMENTS**  
LED POWER SUPPLY 700mA-DC  
NO FLICKER

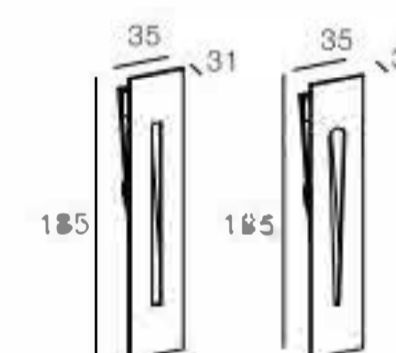
4606602

3000K / 4000K CRI>80

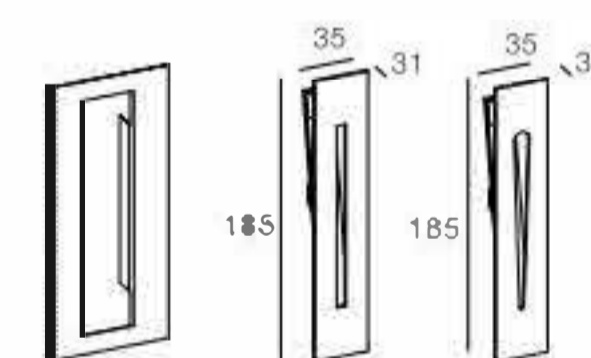
3W / 100-240VAC 50-60Hz

NOT DIMMING

SW / SB / SC

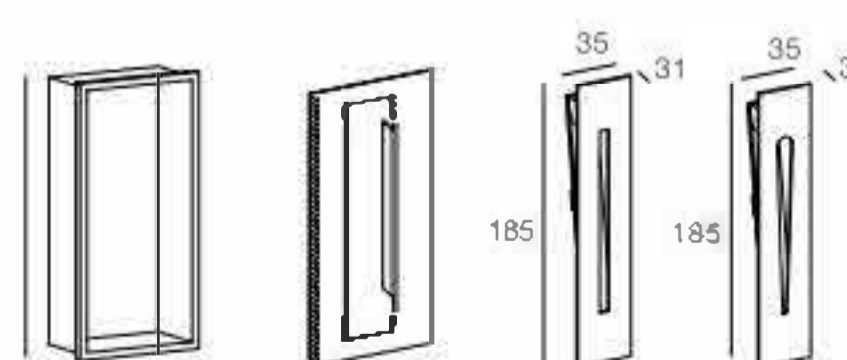


155\*28\*45



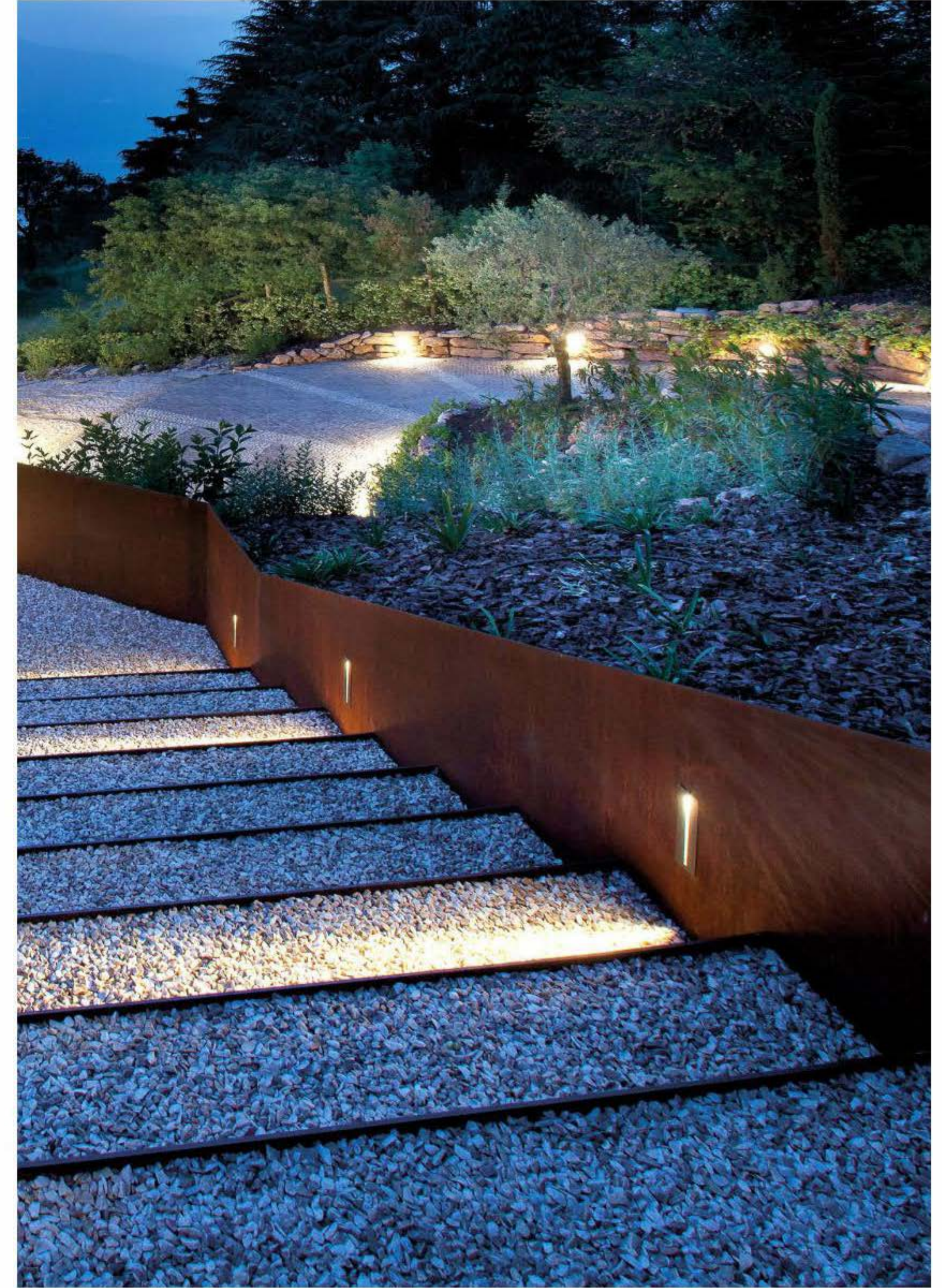
155\*30\*45

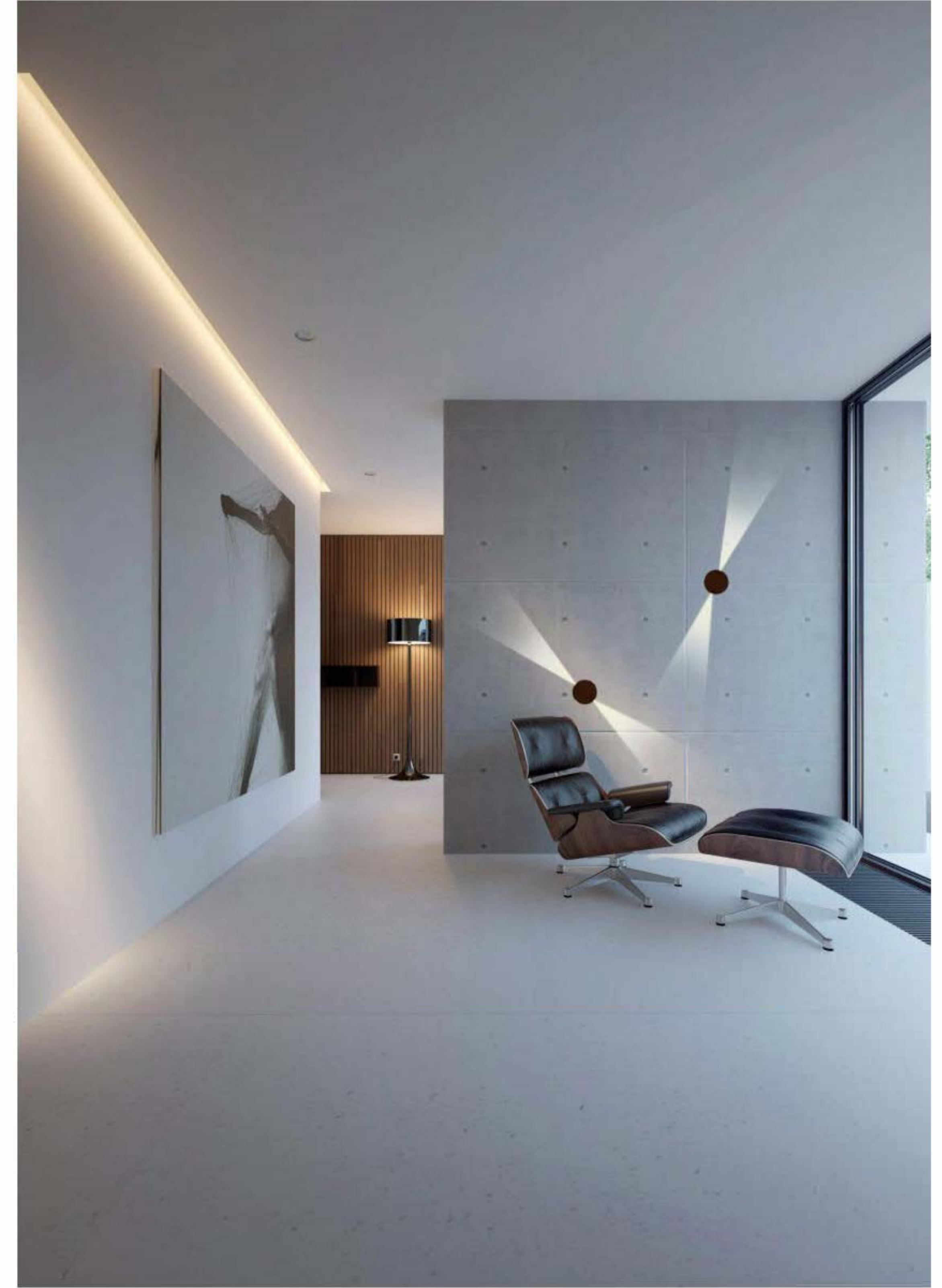
With trimless frame



170\*82\*45

With junction box and trimless frame



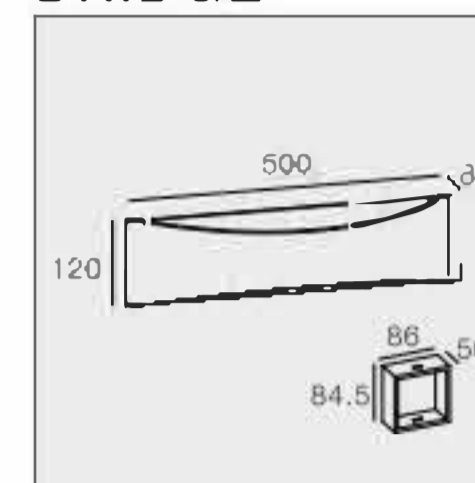


# BRIDGE



INTERIOR  
WALL RECESSED

## BRIDGE



CUTOUT: 87\*87\*52

**REQUIREMENTS**  
LED POWER SUPPLY 700mA-DC  
NO FLICKER

4006001

3000K / 4000K CRI>80

10W / 220-240VAC 50-60Hz

NOT DIMMING

SW / S / SC





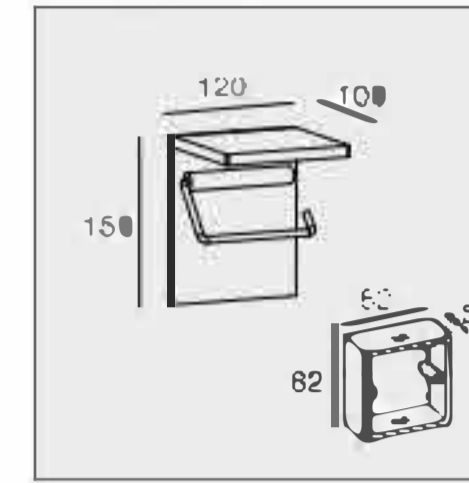
# HILTON



Body-inclusion suitable for bathroom

INTERIOR  
WALL RECESSED

## HILTON



CUTOUT: 83\*83\*56

**REQUIREMENTS**  
LED POWER SUPPLY 350mA-DC  
NO FLICKER

4607201

3000K / 4000K CRI>80

3W / 110-240VAC 50-60Hz

NOT DIMMING

LED
























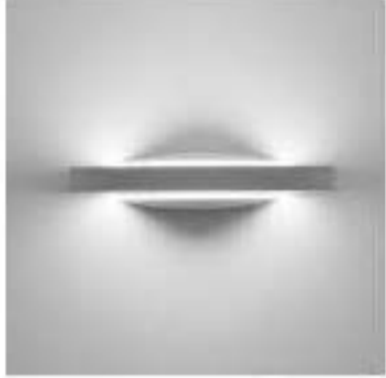

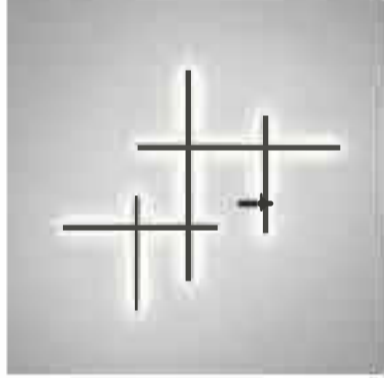






# WALL SURFACE OVERVIEW

Upgrade your space with soft lighting elements or create a playful lighting partner on your wall. Arcmooi's wall mounted luminaries can do both. A remarkable feature in the wall surface range is the use of LED in combination with lens, fusing architectural light effects and energy efficiency.

[www.arcmooi.com](http://www.arcmooi.com)



## INTERIOR WALL SURFACE

					
RING 501-504	CASTLE 505-508	SAIBOAT 509-512	FLY 513-518		UFO 2.0 471-474
					
SHELL 463-466	SQUARE 463-466	ROUND 463-466	DRAKE 467-470	BONSEN 467-470	KOKO 471-474
					
FISSION 463-466	EYE 463-466	DOLPHIN 463-466	FOC 467-470	BETTIE 467-470	CLOVER 471-474
					
PINA 463-466	CORNER 463-466	GUARD 463-466	URSULA 467-470	ADDRESS 467-470	LV 471-474
					
TANK 463-466	MUSHRM 463-466	BIRD 463-466	ANTENNA 467-470	GOLD W 467-470	HORIZON 471-474



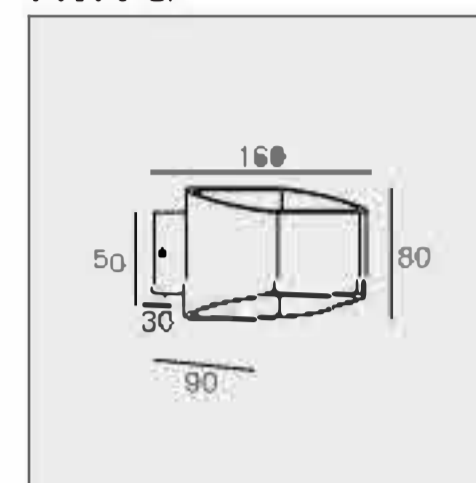


# RING



INTERIOR  
WALL SURFACE

## RING



4604501

3000K / 4000K CRI>80

4W / 100-240VAC 50-60Hz

NOT DIMMING

SW / SB / SC



**REQUIREMENTS**  
LED POWER SUPPLY 700mA-DC  
NO FLICKER



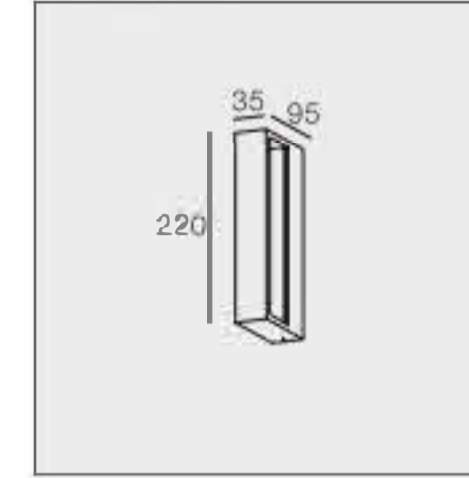
# SAIBOAT



SAIBOAT

INTERIOR  
WALL SURFACE

## SAIBOAT



4604901

3000K / 4000K CRI>80

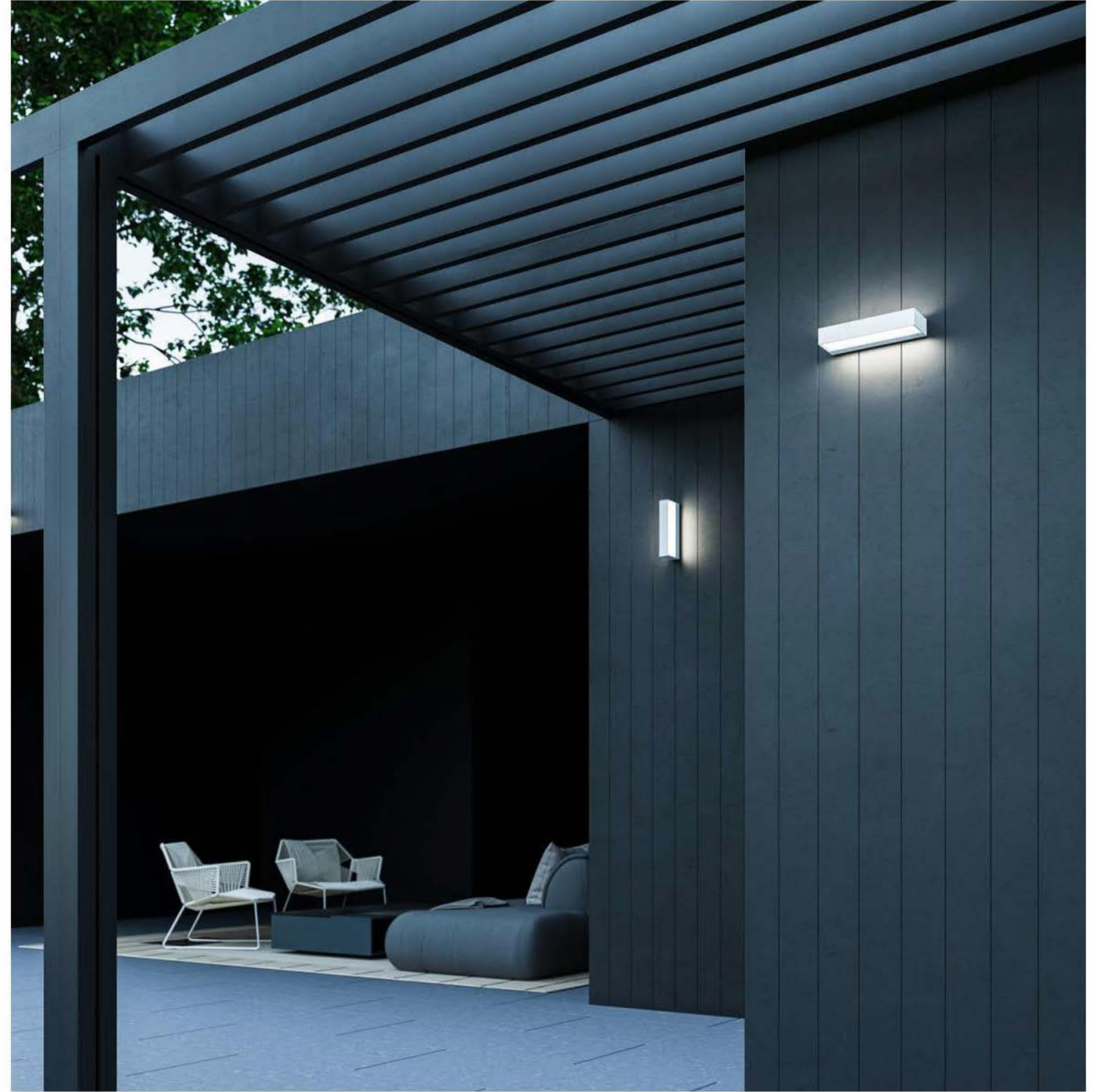
5W / 220-240VAC 50-60Hz

NOT DIMMING

ΔSW / SB/SG/SC



**REQUIREMENTS**  
LED POWER SUPPLY 500mA-DC  
NO FLICKER

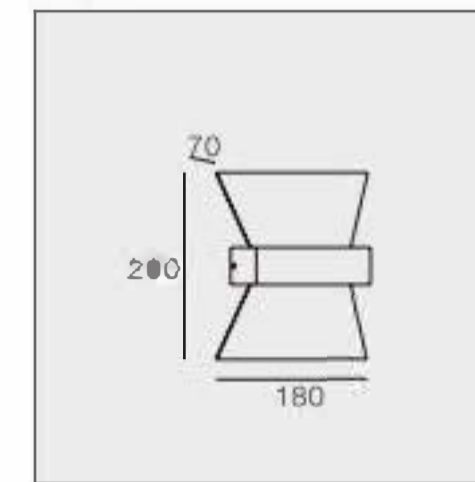


# FLY



INTERIOR  
WALL SURFACE

## FLY



**REQUIREMENTS**  
LED POWER SUPPLY 700mA-DC  
NO FLICKER

4605320

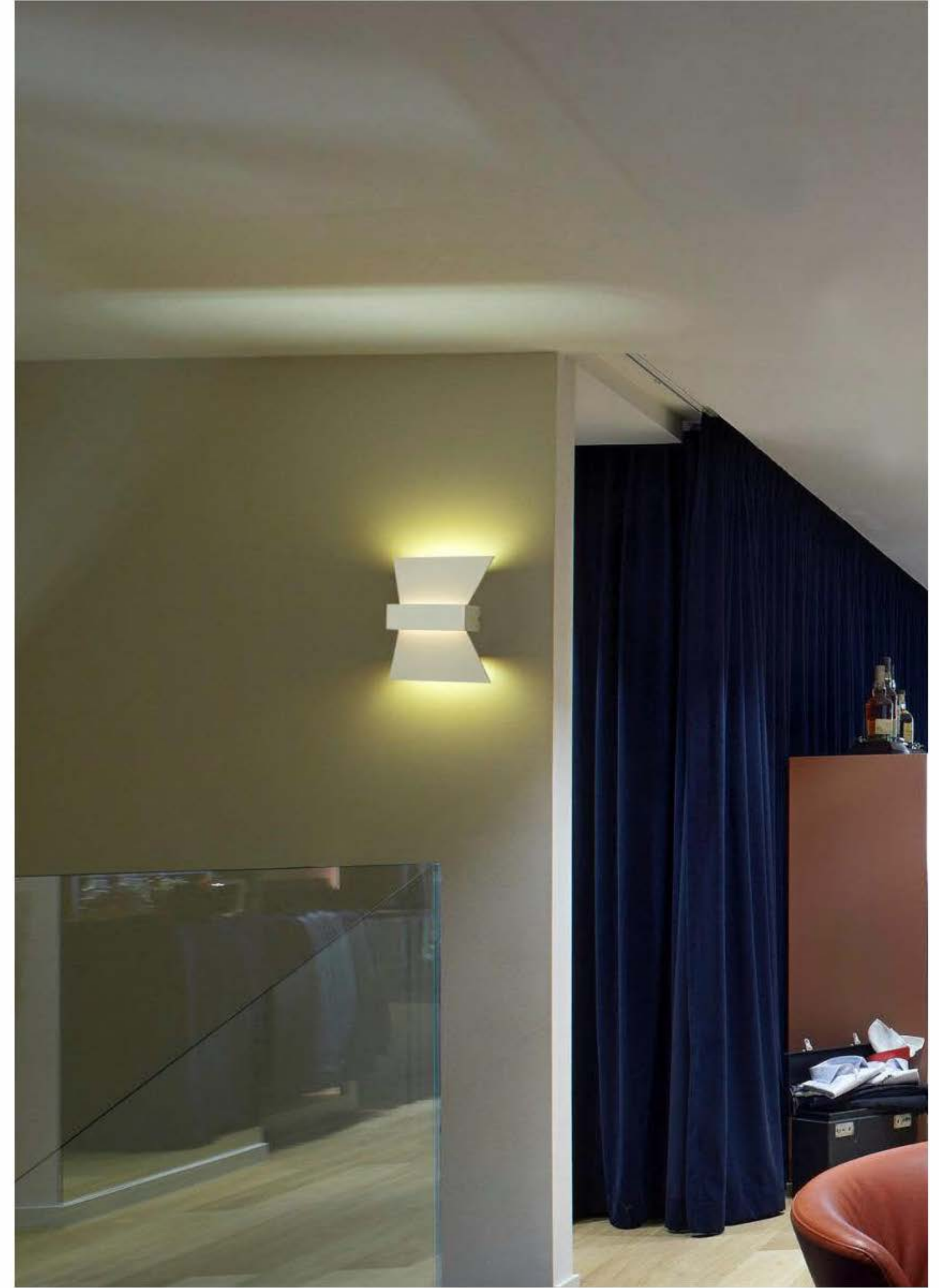
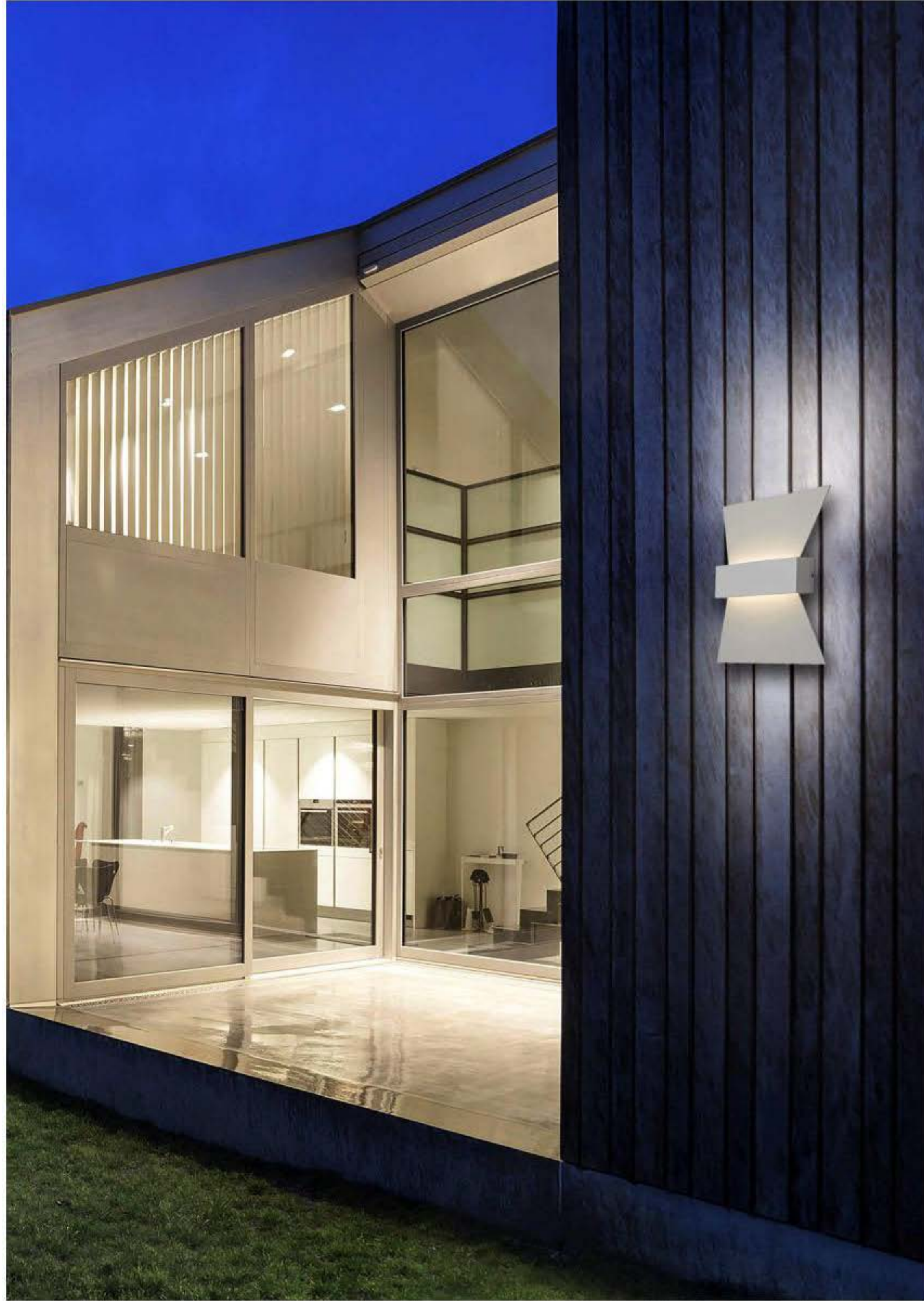
3000K / 4000K CRI>80

9W / 220-240VAC 50-60Hz

NOT DIMMING

Δ SW



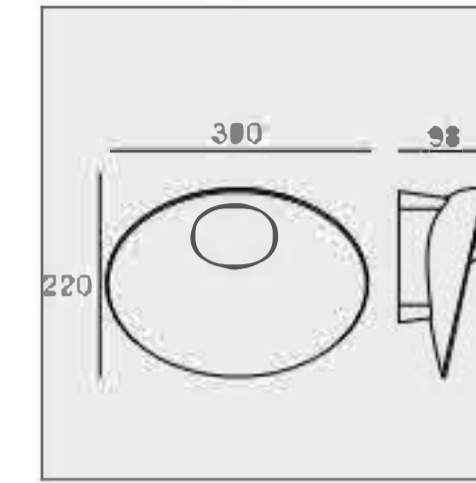


# SHELL



INTERIOR  
WALL SURFACE

## SHELL



**REQUIREMENTS**  
LED POWER SUPPLY 500mA-DC  
NO FLICKER

4800511

3000K / 4000K CRI>80

5W / 220-240VAC 50-60Hz

NOT DIMMING

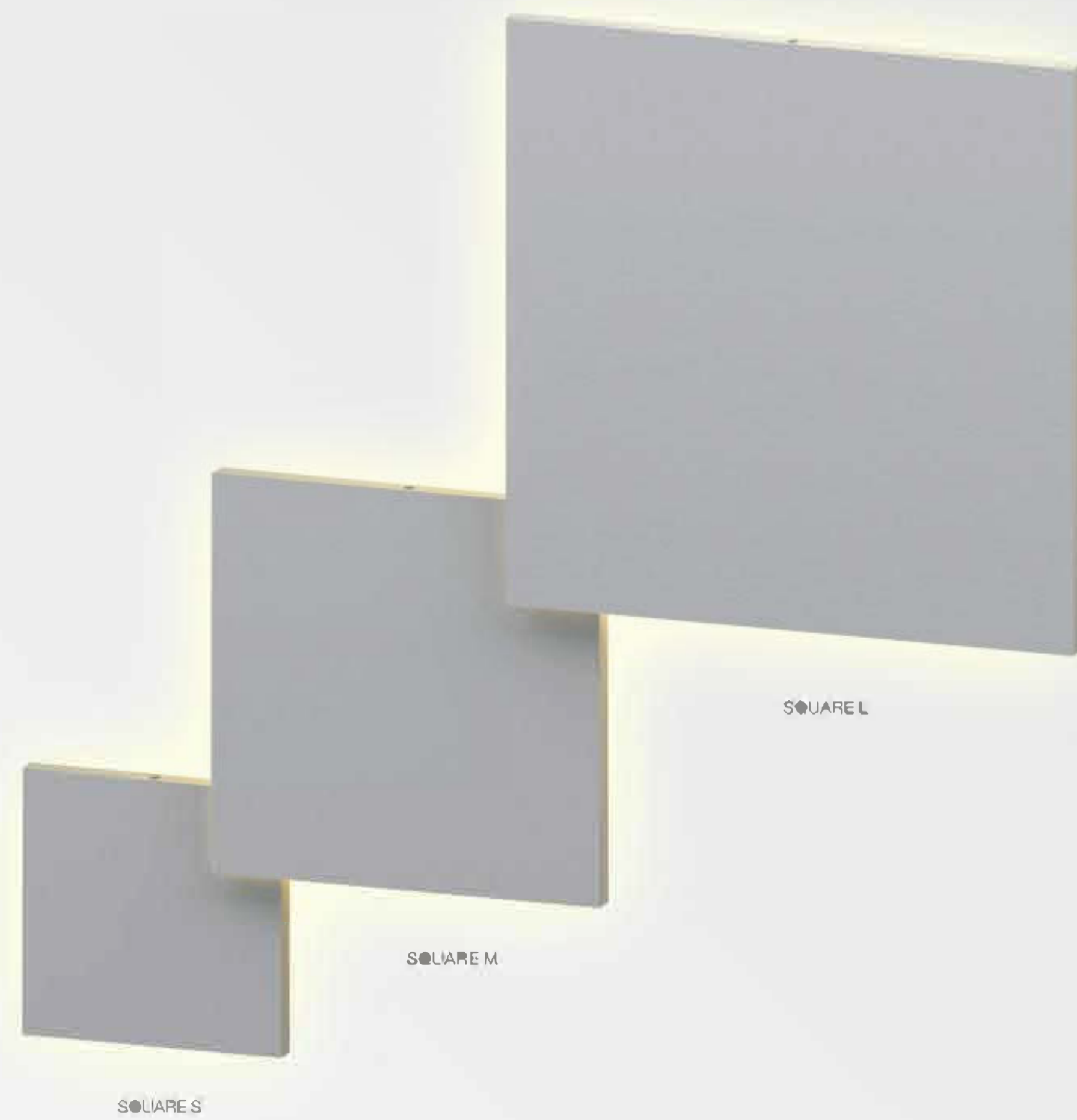
Δ SW





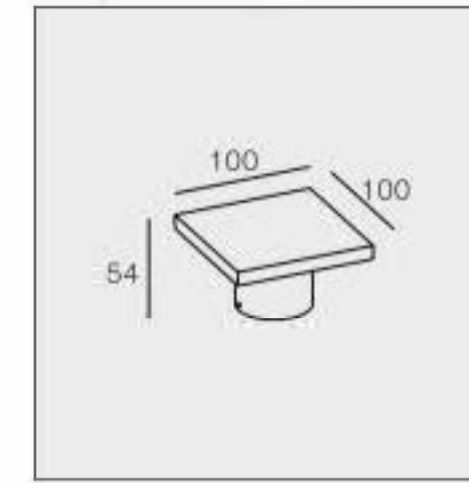


# SQUARE



INTERIOR  
WALL SURFACE

## SQUARE S



**REQUIREMENTS**  
LED POWER SUPPLY 350mA-DC  
NO FLICKER

4607501

3000K / 4000K CRI>80

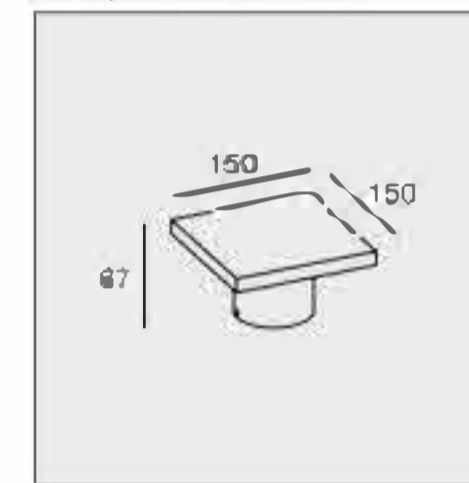
5W / 220-240VAC 50-60Hz

NOT DIMMING

Δ SW



## SQUARE M



**REQUIREMENTS**  
LED POWER SUPPLY 350mA-DC  
NO FLICKER

4607502

3000K / 4000K CRI>80

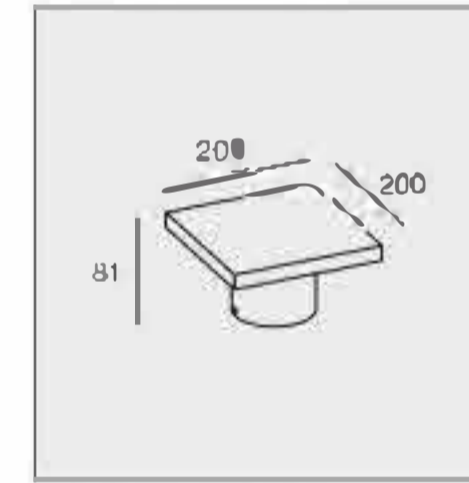
7W / 220-240VAC 50-60Hz

NOT DIMMING

Δ SW



## SQUARE L



**REQUIREMENTS**  
LED POWER SUPPLY 350mA-DC  
NO FLICKER

4607503

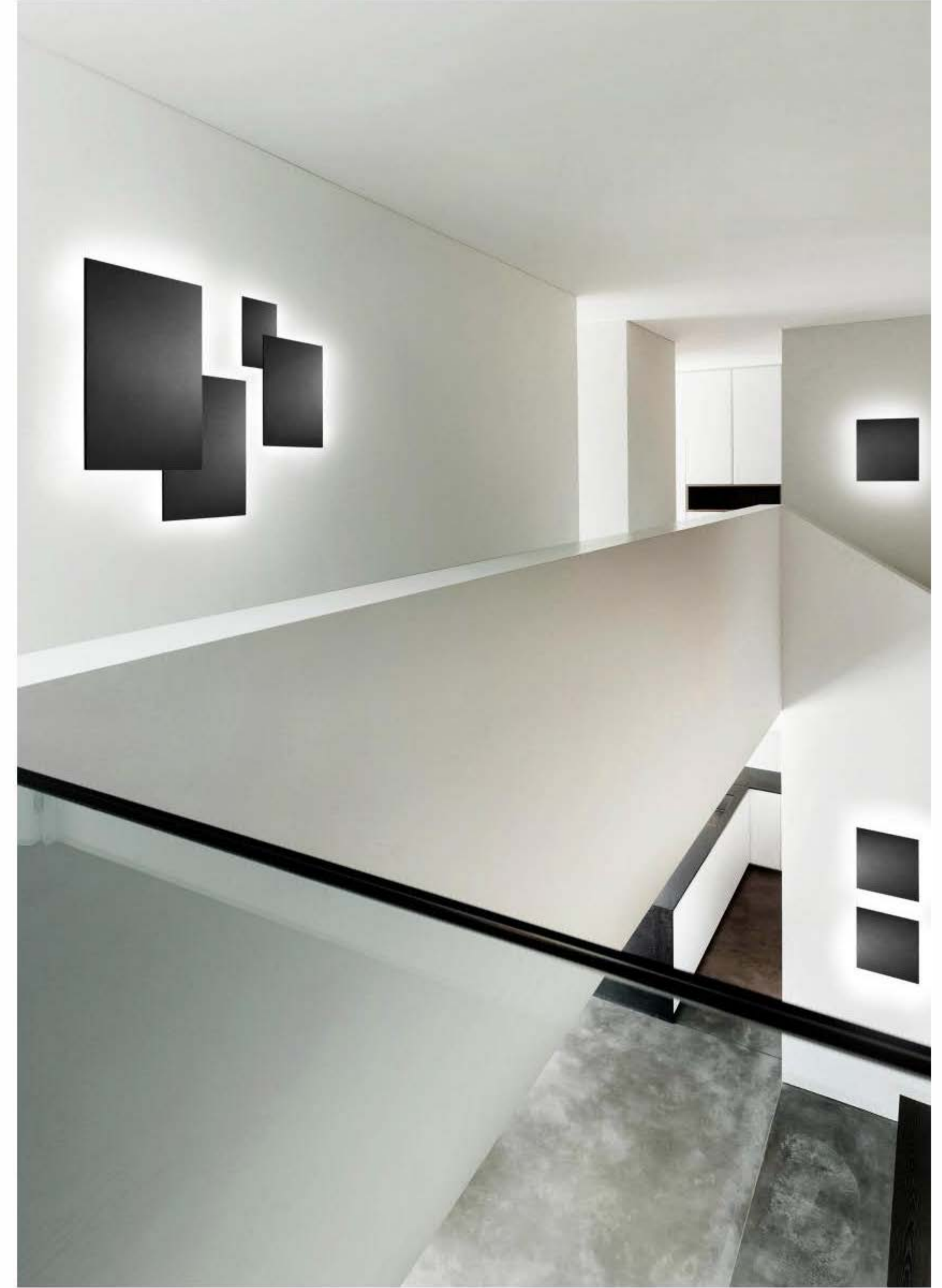
3000K / 4000K CRI>80

11W / 220-240VAC 50-60Hz

NOT DIMMING

Δ SW



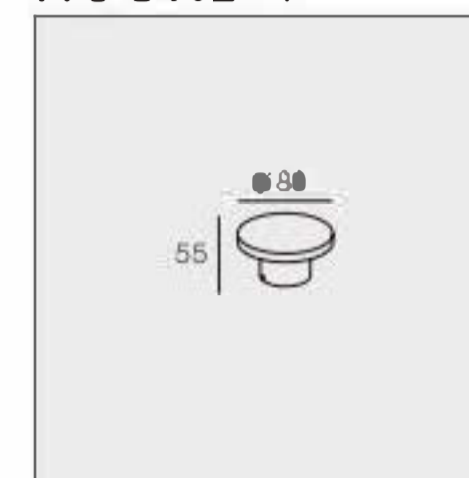


# ROUND



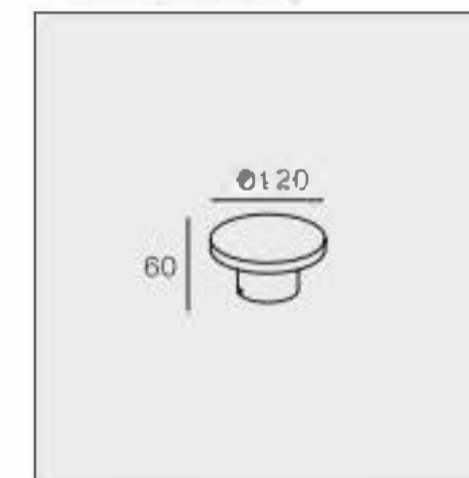
INTERIOR  
WALL SURFACE

## ROUND 4



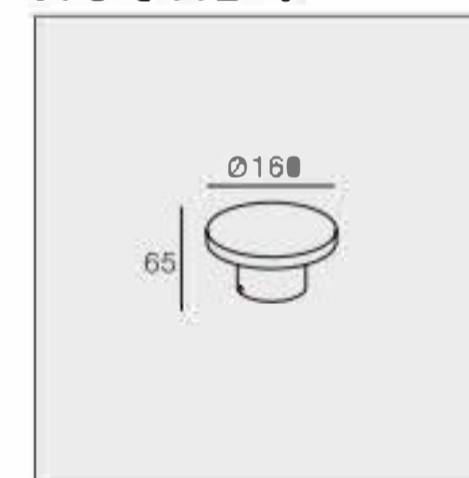
**REQUIREMENTS**  
LED POWER SUPPLY 250mA-DC  
NO FLICKER

## ROUND 6



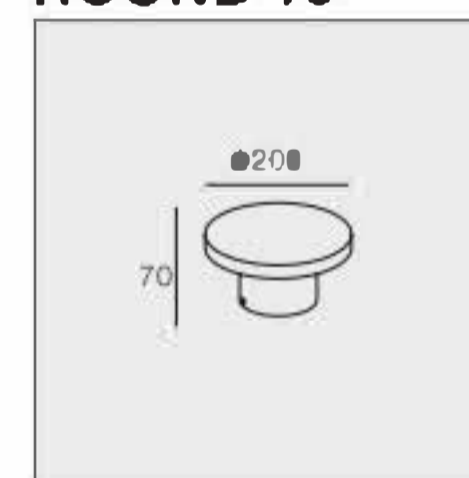
**REQUIREMENTS**  
LED POWER SUPPLY 300mA-DC  
NO FLICKER

## ROUND 8



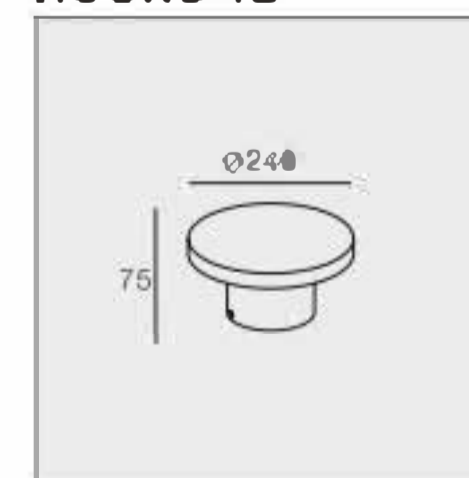
**REQUIREMENTS**  
LED POWER SUPPLY 350mA-DC  
NO FLICKER

## ROUND 10



**REQUIREMENTS**  
LED POWER SUPPLY 250mA-DC  
NO FLICKER

## ROUND 12



**REQUIREMENTS**  
LED POWER SUPPLY 300mA-DC  
NO FLICKER

4605001

3000K / 4000K CRI>80

4W / 220-240VAC 50-60Hz

NOT DIMMING

SW / SB / SC / SG



4605002

3000K / 4000K CRI>80

6W / 220-240VAC 50-60Hz

NOT DIMMING

SW / SB / SC / SG



4605003

3000K / 4000K CRI>80

8W / 220-240VAC 50-60Hz

NOT DIMMING

SW / SB / SC / SG



4605004

3000K / 4000K CRI>80

10W / 220-240VAC 50-60Hz

NOT DIMMING

SW / SB / SC / SG



4605005

3000K / 4000K CRI>80

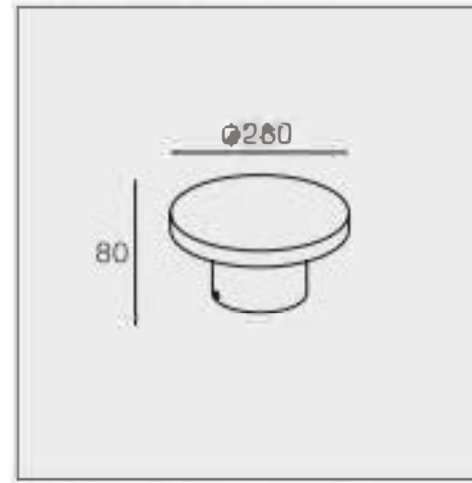
12W / 220-240VAC 50-60Hz

NOT DIMMING

SW / SB / SC / SG



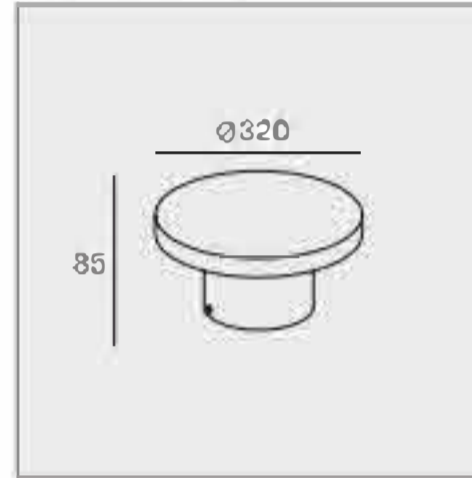
**ROUND 14**



4605006
3000K / 4000K CRI>80
14W / 220-240VAC 50-60Hz
NOT DIMMING
Δ SW / SB / SC / SG

**REQUIREMENTS**  
LED POWER SUPPLY 350mA-DC  
NO FLICKER

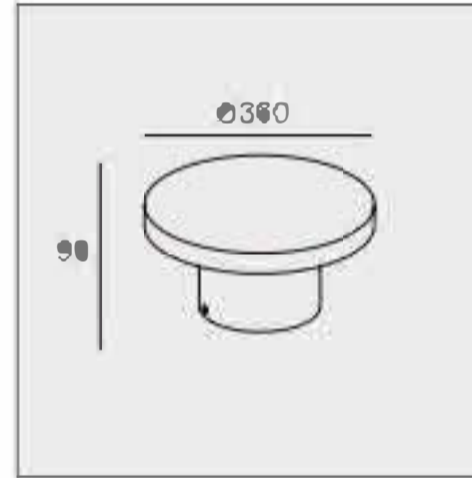
**ROUND 18**



4605007
3000K / 4000K CRI>80
18W / 220-240VAC 50-60Hz
NOT DIMMING
Δ SW / SB / SC / SG

**REQUIREMENTS**  
LED POWER SUPPLY 500mA-DC  
NO FLICKER

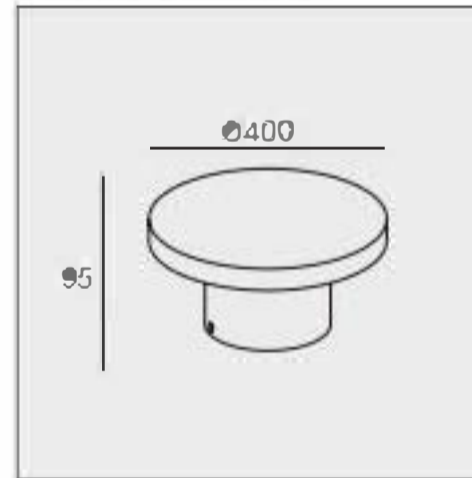
**ROUND 22**



4605008
3000K / 4000K CRI>80
22W / 220-240VAC 50-60Hz
NOT DIMMING
Δ SW / SB / SC / SG

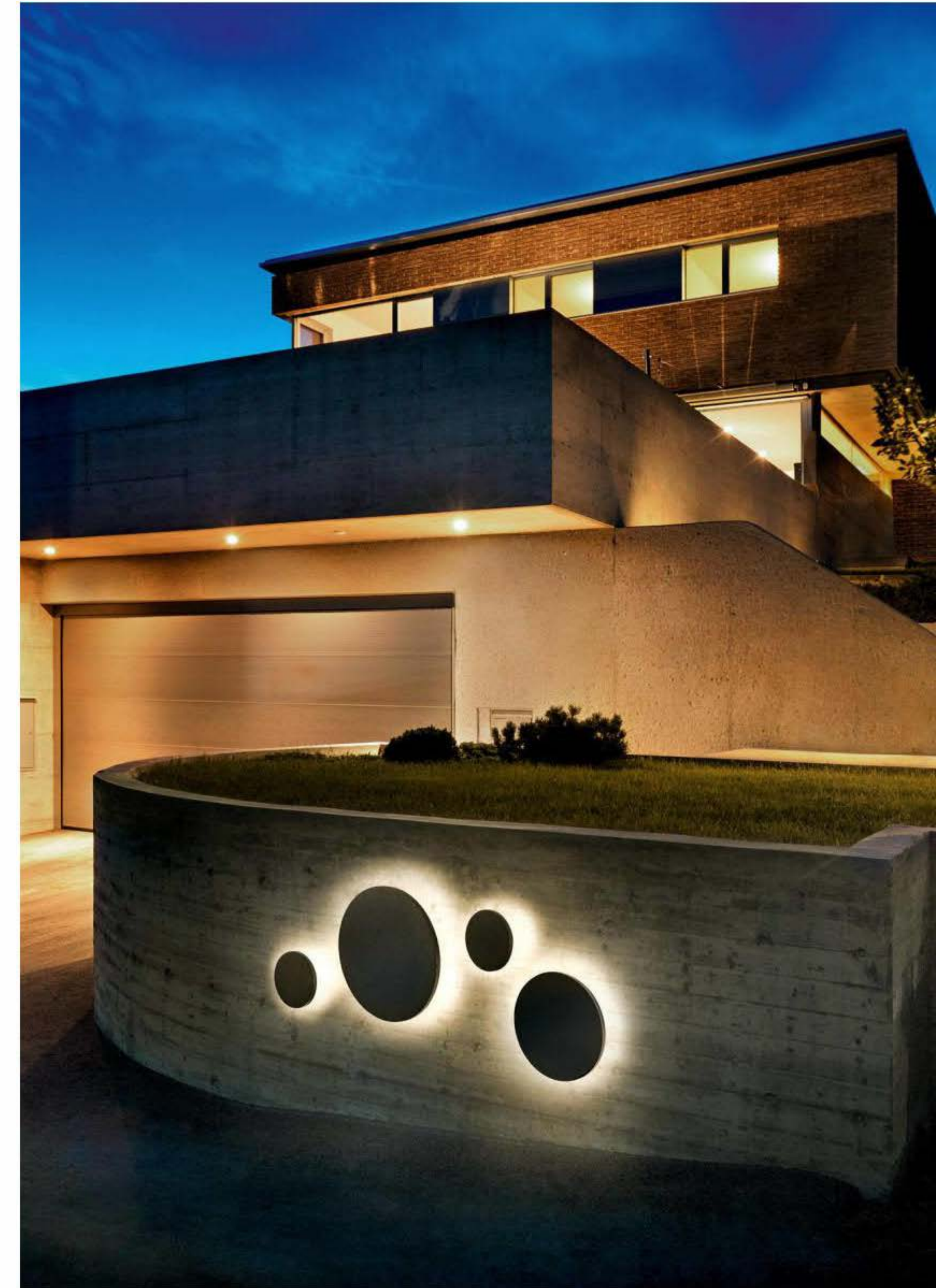
**REQUIREMENTS**  
LED POWER SUPPLY 600mA-DC  
NO FLICKER

**ROUND 26**



4605009
3000K / 4000K CRI>80
26W / 220-240VAC 50-60Hz
NOT DIMMING
Δ SW / SB / SC / SG

**REQUIREMENTS**  
LED POWER SUPPLY 700mA-DC  
NO FLICKER

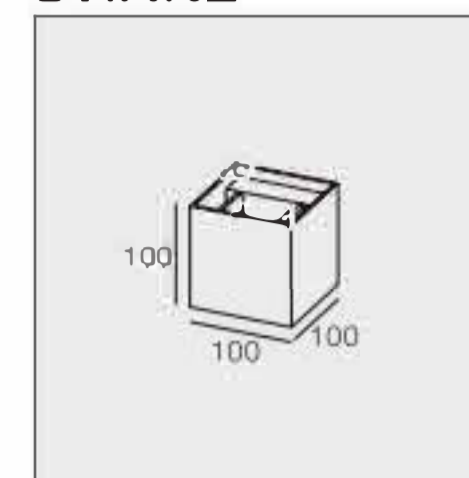


# DRAKE



INTERIOR  
WALL SURFACE

## DRAKE



4005601

3000K / 4000K CRI>80

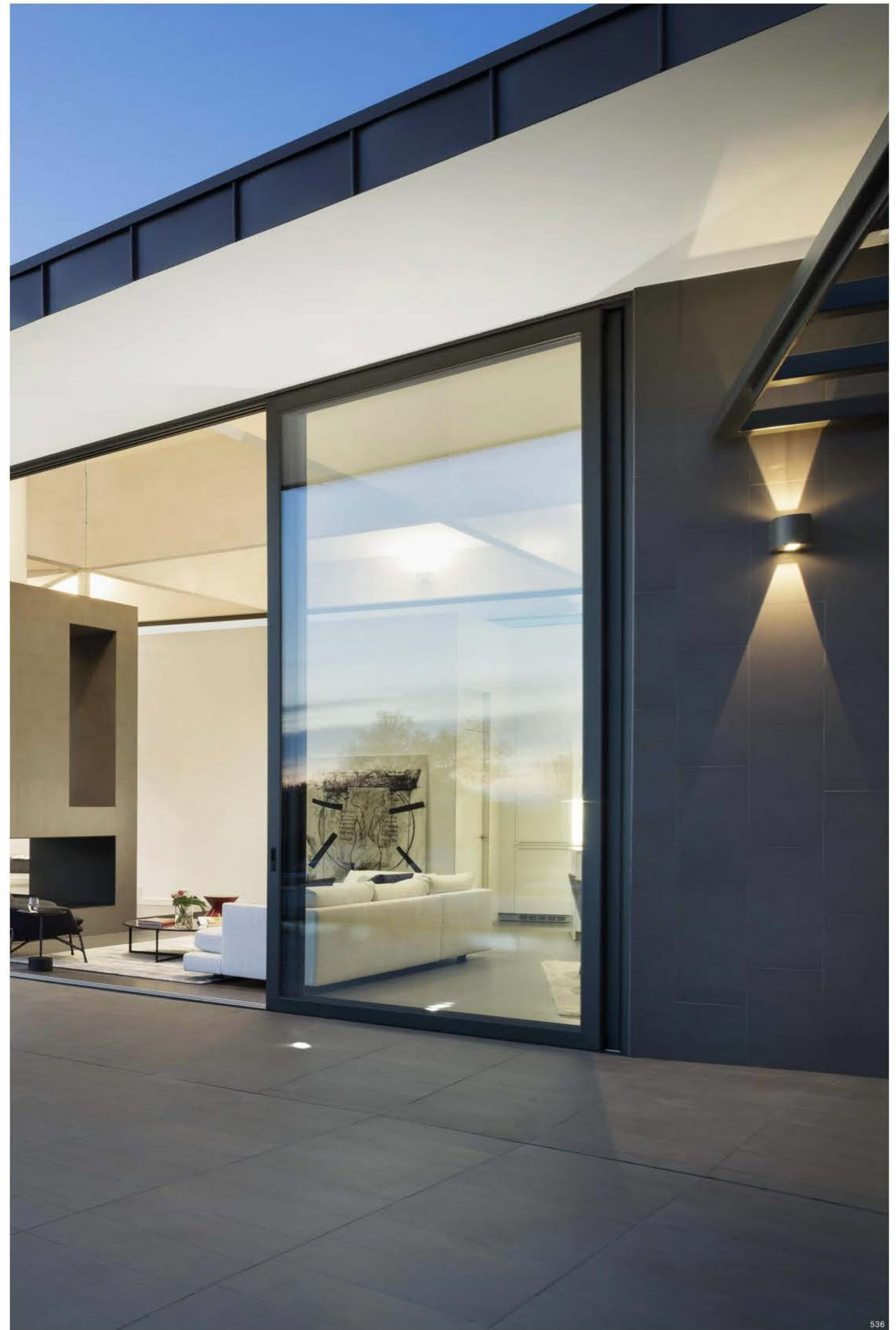
2\*3W / 220-240VAC 50-60Hz

NOT DIMMING

outer(SW / SB / SG / SC)+inner(SG)

**REQUIREMENTS**  
LED POWER SUPPLY 300mA-DC  
NO FLICKER



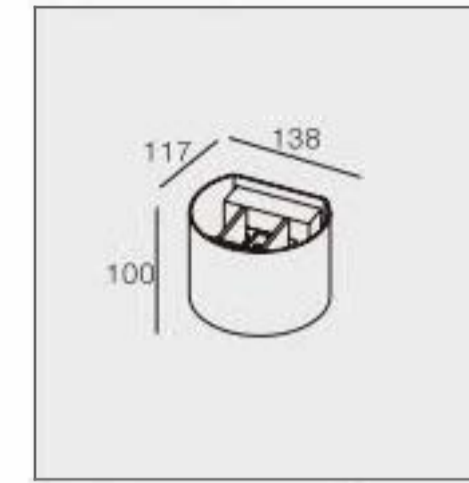


# BONSEN



INTERIOR  
WALL SURFACE

## BONSEN



**REQUIREMENTS**  
LED POWER SUPPLY 300mA-DC  
NO FLICKER

4605602

3000K / 4000K CRI>80

2\*3W / 220-240VAC 50-60Hz

NOT DIMMING

SW / S0 / SC



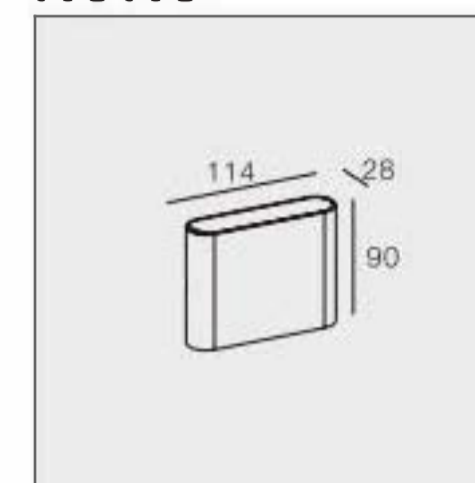




# KOKO



## KOKO



**REQUIREMENTS**  
LED POWER SUPPLY 350mA-DC  
NO FLICKER

INTERIOR  
WALL SURFACE

4606201

3000K / 4000K CRI>80

2x2W / 220-240VAC 50-60Hz

NOT DIMMING

SW / SB



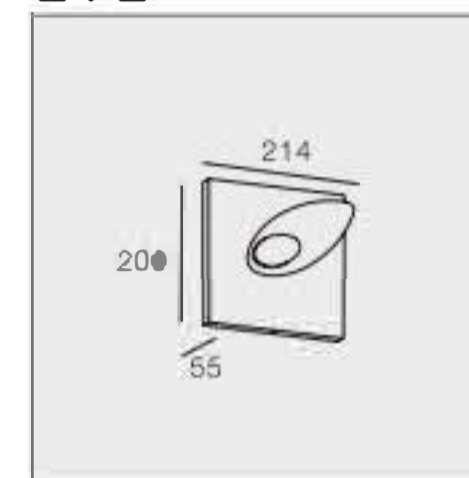


# EYE



INTERIOR  
WALL SURFACE

## EYE



4607101

3000K / 4000K CRI>80

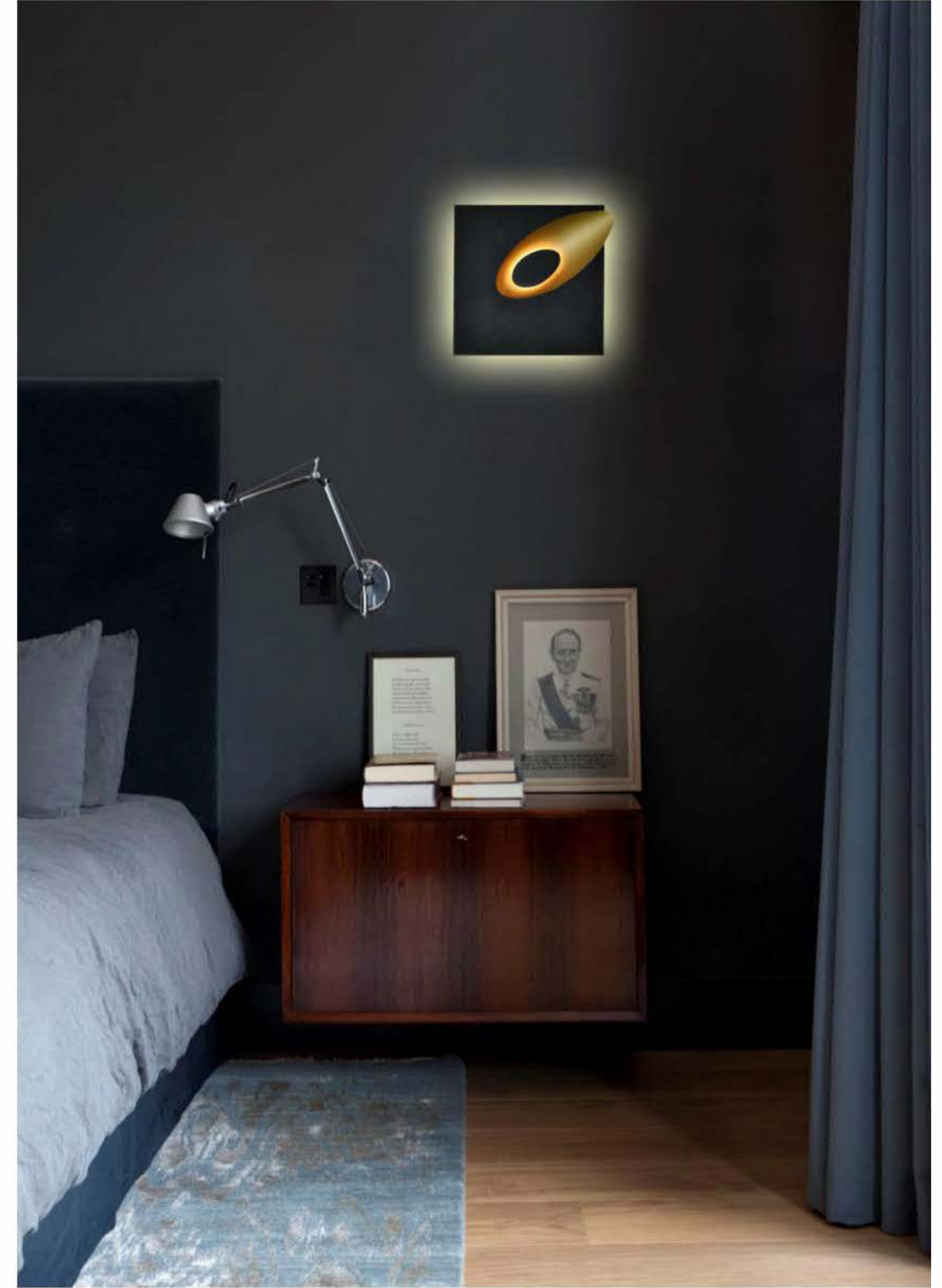
10W / 220-240VAC 50-60Hz

NOT DIMMING

△outer(SB)+ininter(SG)

**REQUIREMENTS**  
LED POWER SUPPLY 500mA-DC  
NO FLICKER





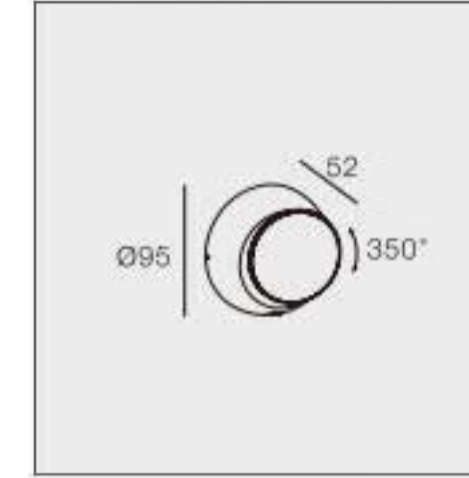
# DOLPHIN

New technology creates freedom. It almost goes without saying that brightness is controlled at the light source, the touch button of the luminaire. Switch the light on or off or dim it with finger.



INTERIOR  
WALL SURFACE

## DOLIPHIN S



4607301

3000K / 4000K CRI>80

4W / 100-240VAC 50-60Hz

TOUCH DIMMING

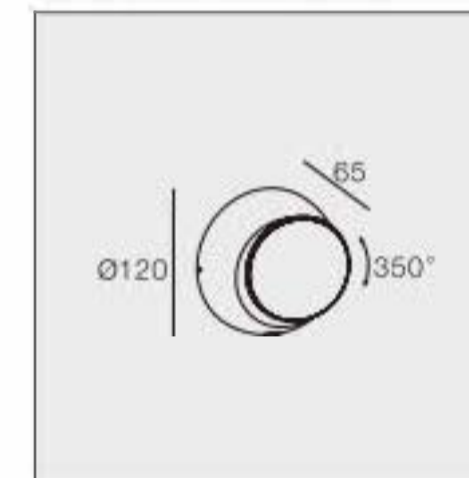
△ SW / SB / SC / SG



### REQUIREMENTS

LED POWER SUPPLY 350mA-DC  
NO FLICKER

## DOLIPHIN M



4607302

3000K / 4000K CRI>80

5W / 100-240VAC 50-60Hz

TOUCH DIMMING

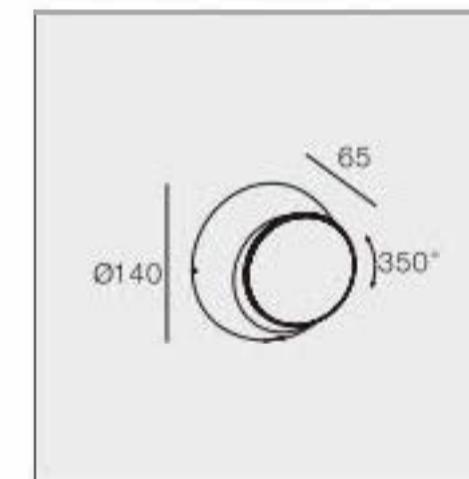
△ SW / SB / SC / SG



### REQUIREMENTS

LED POWER SUPPLY 500mA-DC  
NO FLICKER

## DOLIPHIN L



4607303

3000K / 4000K CRI>80

6W / 100-240VAC 50-60Hz

TOUCH DIMMING

△ SW / SB / SC / SG



### REQUIREMENTS

LED POWER SUPPLY 500mA-DC  
NO FLICKER

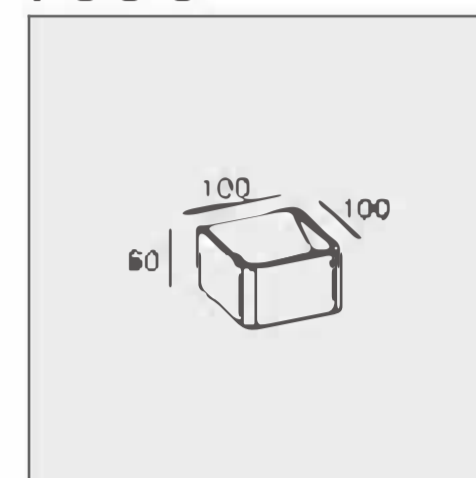


# FOC



INTERIOR  
WALL SURFACE

## FOC S



**REQUIREMENTS**  
LED POWER SUPPLY 350mA-DC  
NO FLICKER

4607401

3000K / 4000K CRI>80

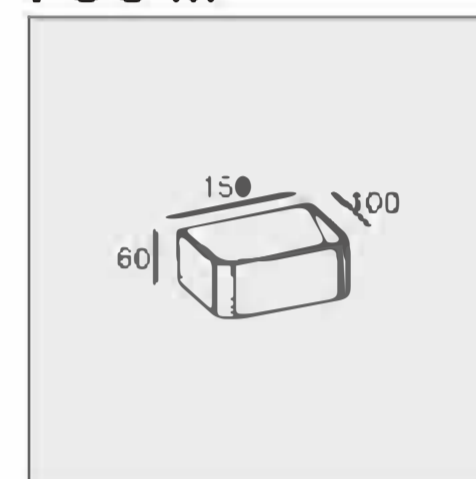
4W / 110-240VAC 50-60Hz

NOT DIMMING

outer(SB/SW/SG/SC)+ininter(SG)



## FOC M



**REQUIREMENTS**  
LED POWER SUPPLY 350mA-DC  
NO FLICKER

4607402

3000K / 4000K CRI>80

4W / 110-240VAC 50-60Hz

NOT DIMMING

outer(SB/SW/SG/SC)+ininter(SG)





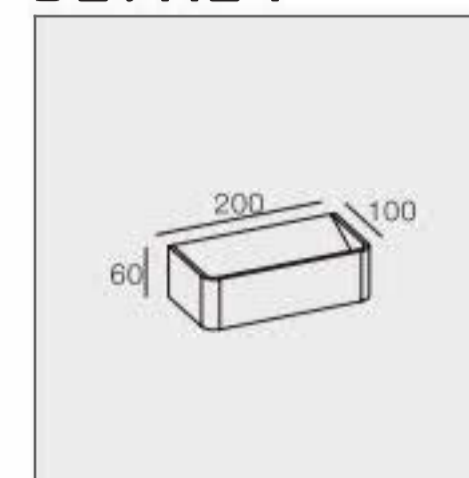


# BETTIE



INTERIOR  
WALL SURFACE

## BETTIE 1



**REQUIREMENTS**  
LED POWER SUPPLY 350mA-DC  
NO FLICKER

4607403

3000K / 4000K CRI>80

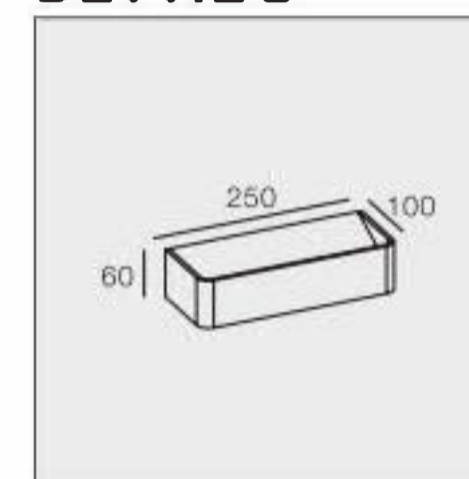
4W / 110-240VAC 50-60Hz

NOT DIMMING

▶ outer(SB/SW/SG/SC)+ininter(SG)



## BETTIE 2



**REQUIREMENTS**  
LED POWER SUPPLY 700mA-DC  
NO FLICKER

4607404

3000K / 4000K CRI>80

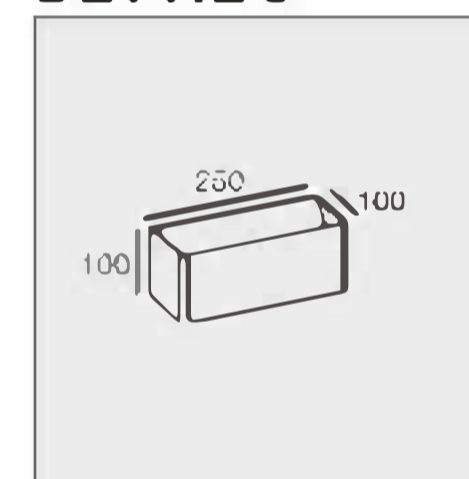
9W / 110-240VAC 50-60Hz

NOT DIMMING

▶ outer(SB/SW/SG/SC)+ininter(SG)



## BETTIE 3



**REQUIREMENTS**  
LED POWER SUPPLY 700mA-DC  
NO FLICKER

4607405

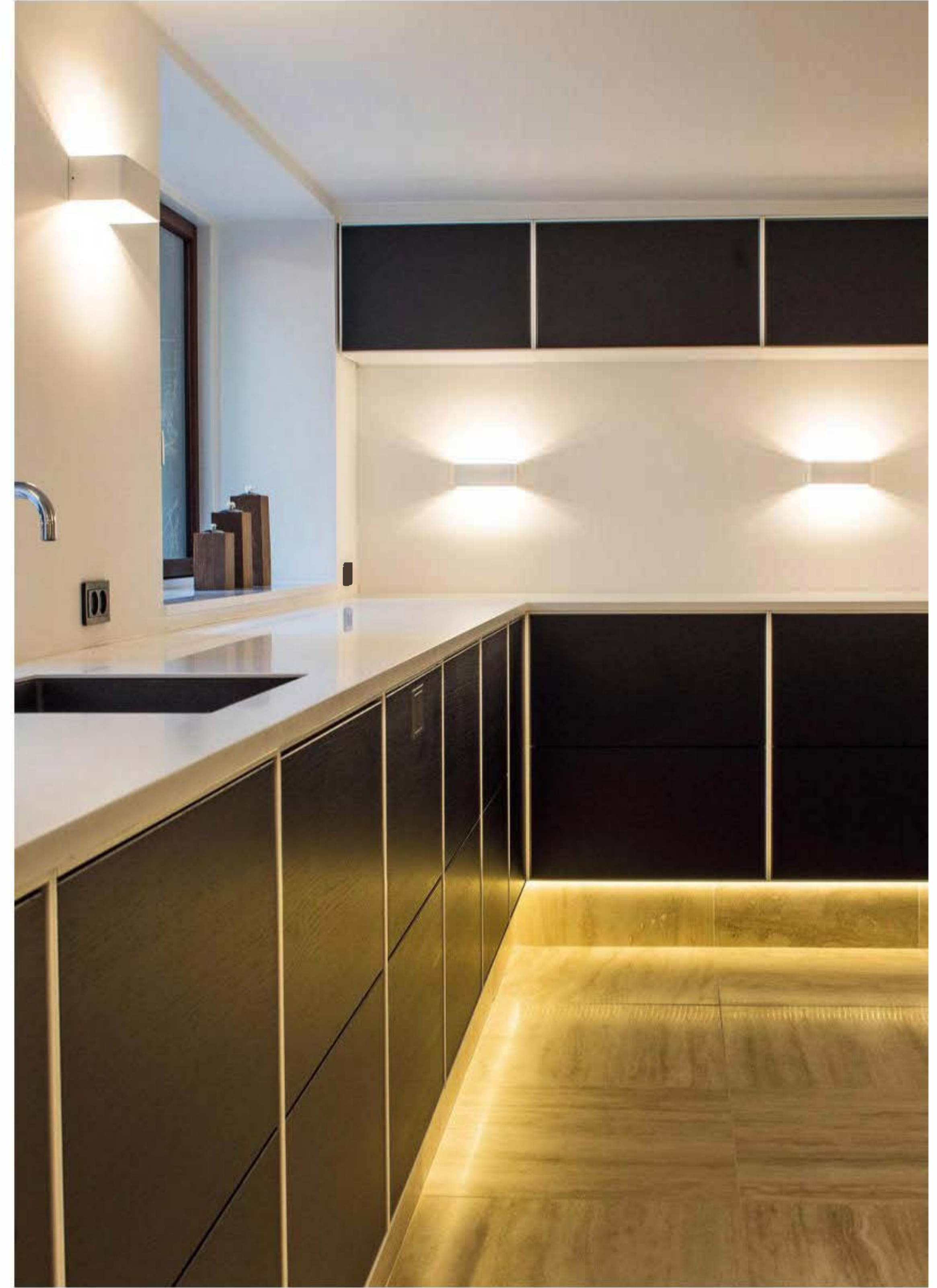
3000K / 4000K CRI>80

9W / 110-240VAC 50-60Hz

NOT DIMMING

▶ outer(SB/SW/SG/SC)+ininter(SG)



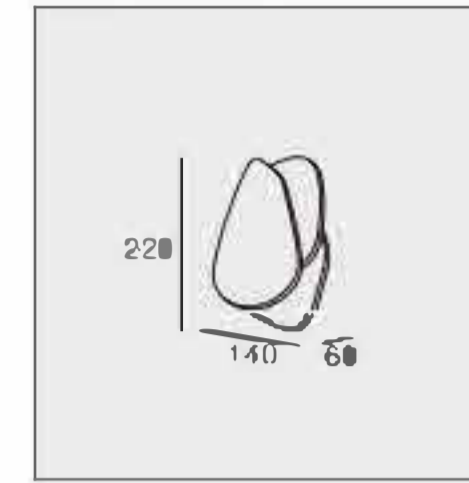


# CLOVER



INTERIOR  
WALL SURFACE

## CLOVER



4606501

3000K / 4000K CRI>80

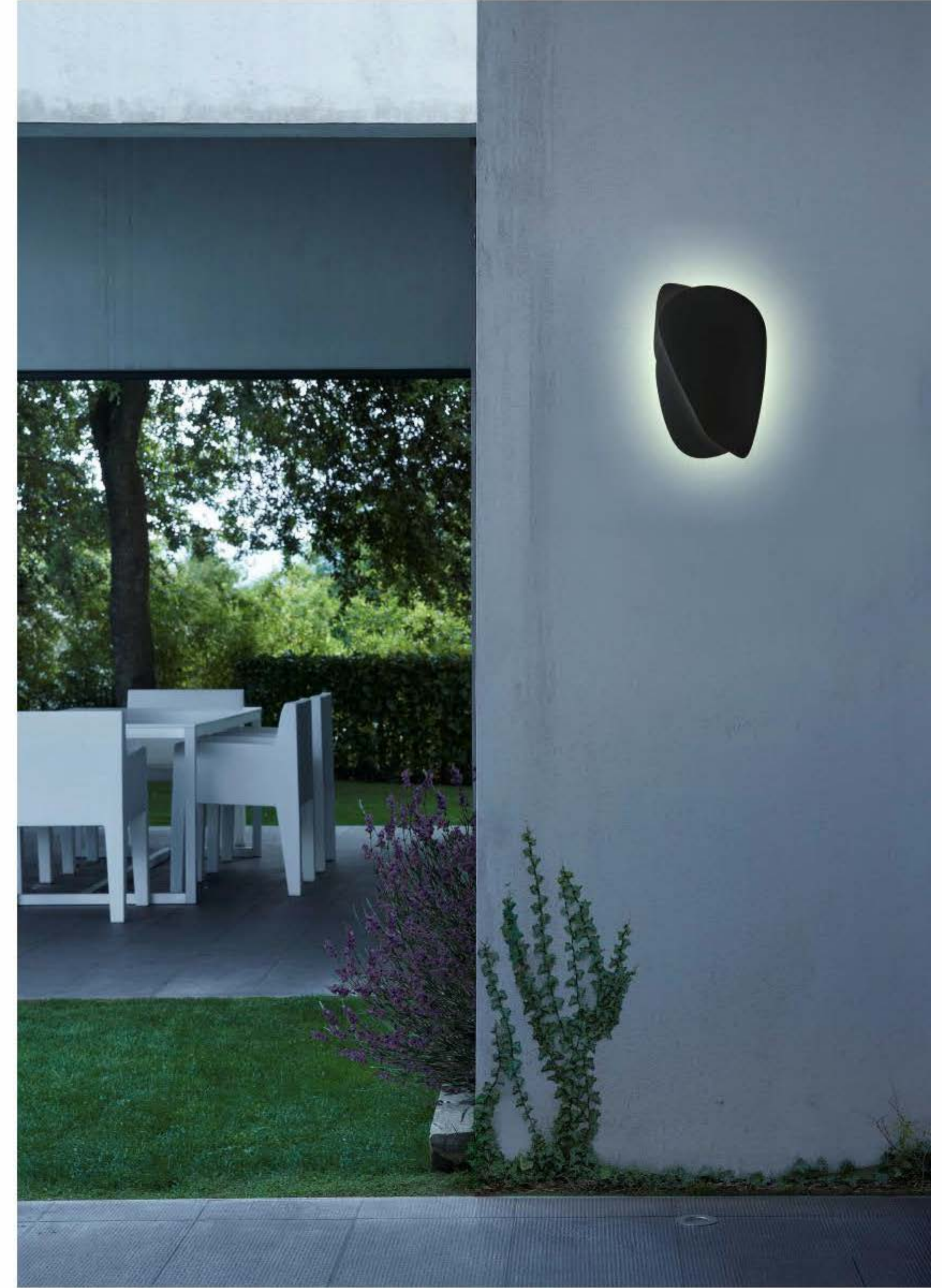
2W / 220-240VAC 50-60Hz

NOT DIMMING

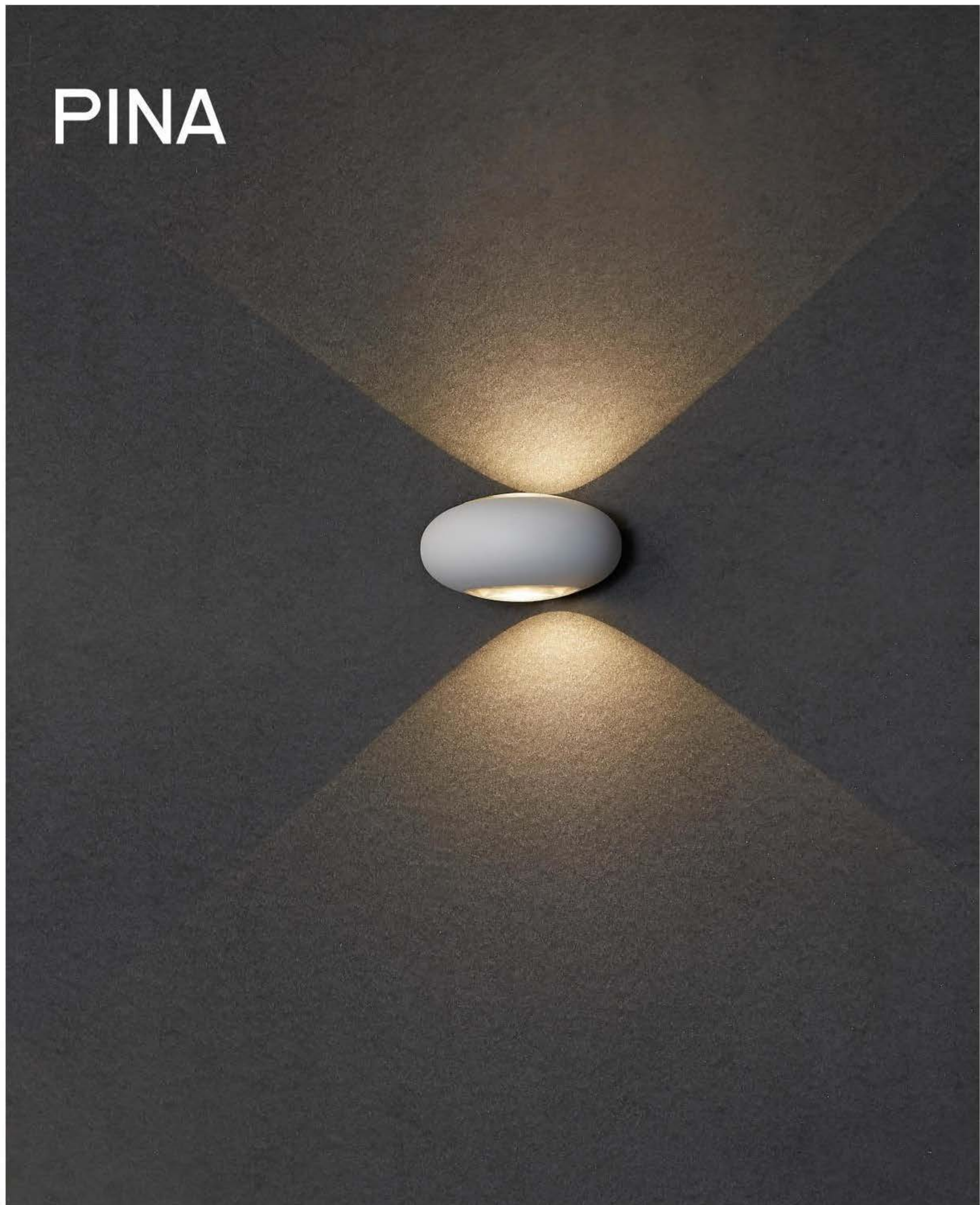
Δ SW / S

**REQUIREMENTS**  
LED POWER SUPPLY 700mA-DC  
NO FLICKER



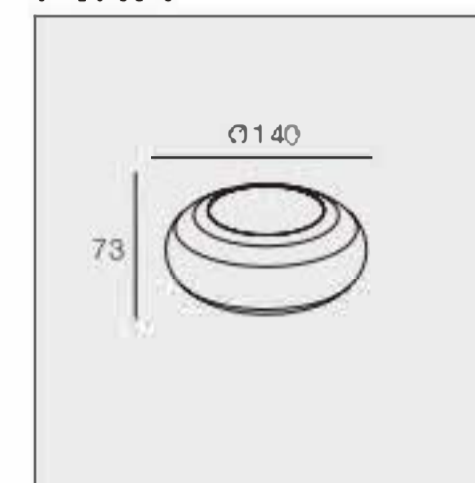


# PINA



INTERIOR  
WALL SURFACE

## PINA



4606701

3000K / 4000K CRI>80

2\*3W / 220-240VAC 50-60Hz

NOT DIMMING

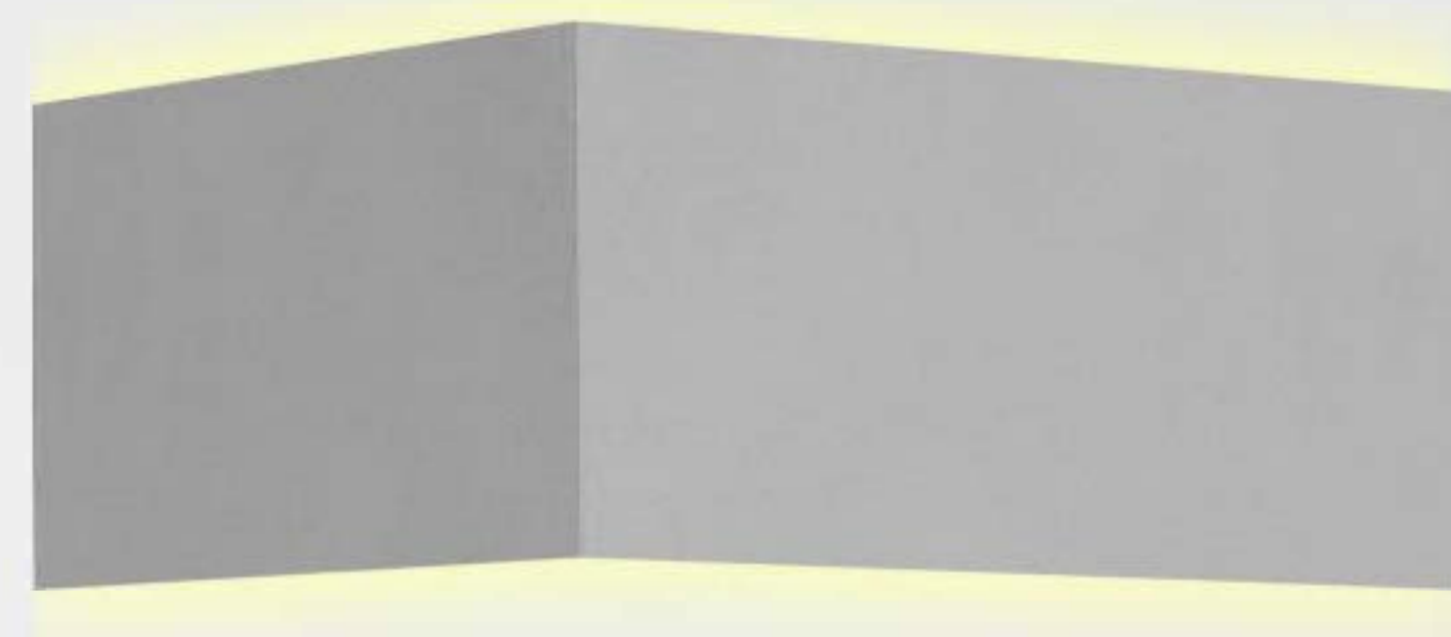
ΔSW

**REQUIREMENTS**  
LED POWER SUPPLY 500mA-DC  
NO FLICKER



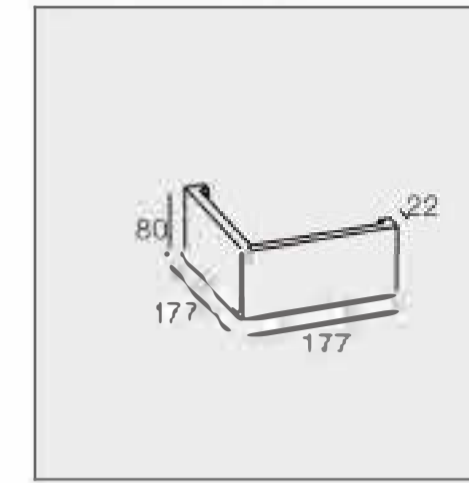


# CORNER



INTERIOR  
WALL SURFACE

## CORNER



4607601

3000K / 4000K CRI>80

6W / 220-240VAC 50-60Hz

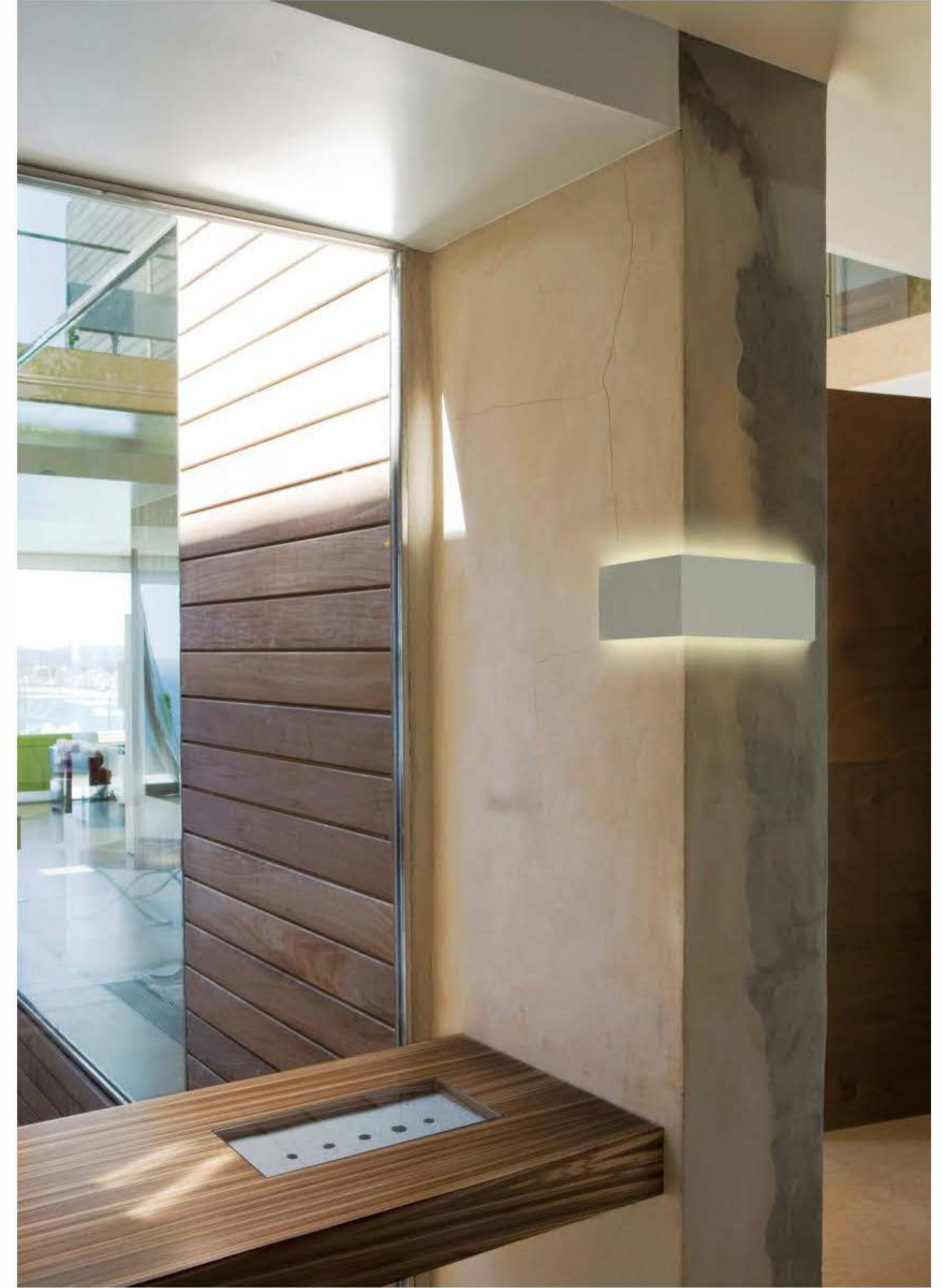
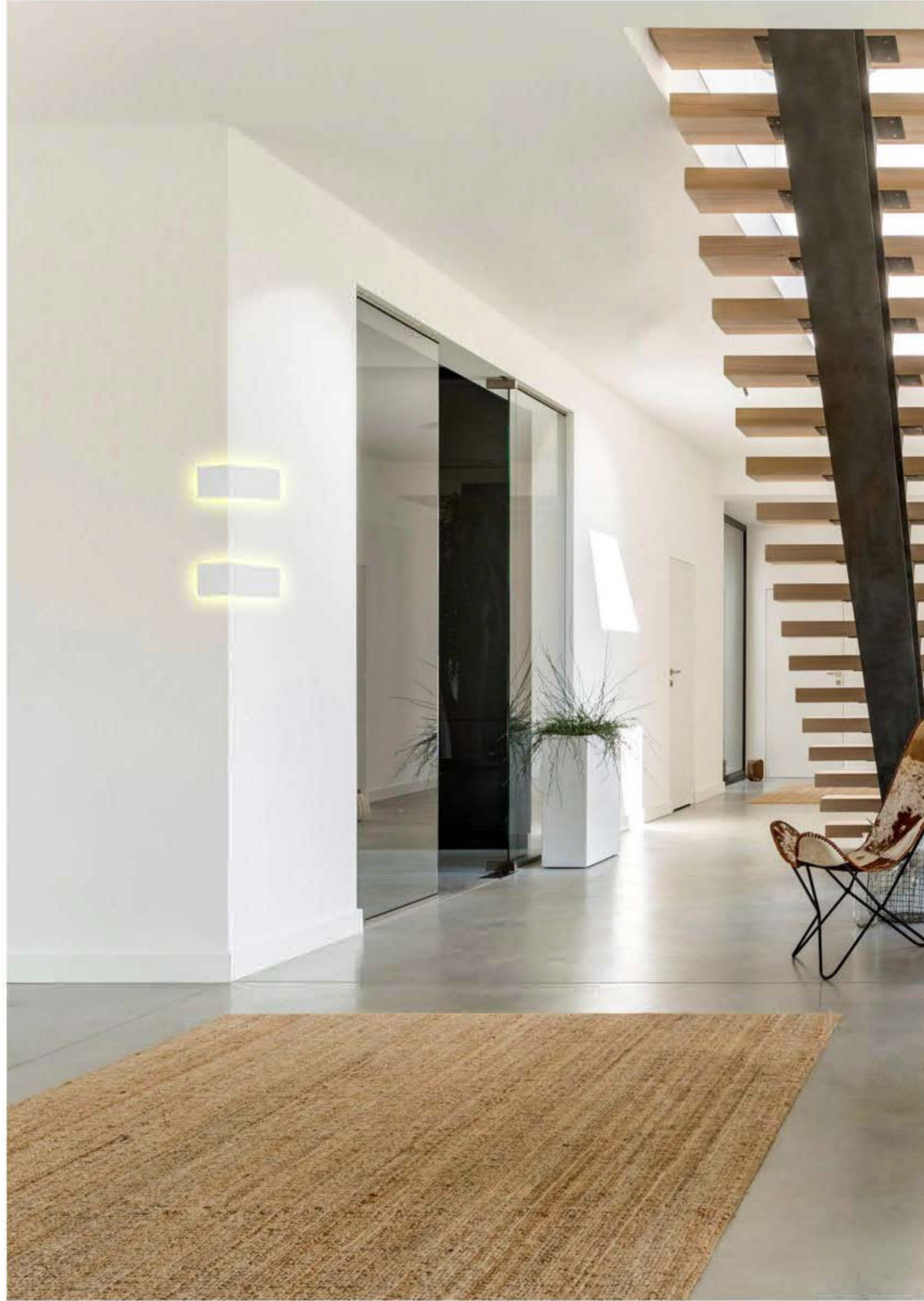
NOT DIMMING

SW

**REQUIREMENTS**  
LED POWER SUPPLY 500mA-AC







# GUARD W



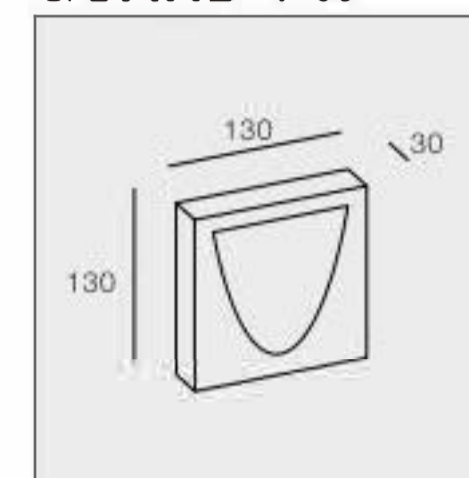
GUARD 2W



GUARD 1W

INTERIOR  
WALL SURFACE

## GUARD 1 W



**REQUIREMENTS**  
LED POWER SUPPLY 350mA-DC  
NO FLICKER

4603201

3000K / 4000K CRI>80

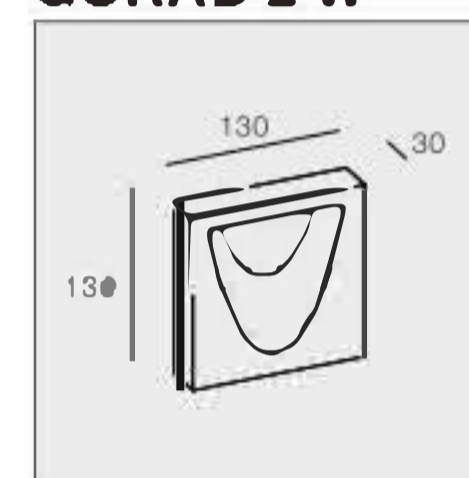
4.2W / 110-240VAC 50-60Hz

NOT DIMMING

outer(SB/SC/SG)+innter(SG/SW/SG/SW)



## GURAD 2 W



**REQUIREMENTS**  
LED POWER SUPPLY 350mA-DC  
NO FLICKER

4603202

3000K / 4000K CRI>80

4.2W / 110-240VAC 50-60Hz

NOT DIMMING

outer(SB/SC/SG)+innter(SG/SW/SG/SW)



## GUARD 1 W



## GURAD 2 W







**NEW** GUARD 2

**GUARD 1**



FRONT LIGHT ONLY  
**REQUIREMENTS**  
LED POWER SUPPLY 700mA-DC  
NO FLICKER

**GUARD 2**



FRONT & BACK LIGHT  
**REQUIREMENTS**  
LED POWER SUPPLY 700mA-DC  
NO FLICKER

7603201
4000K CRI>80
8W / 220-240VAC 50-60HZ
NOT DIMMING
Δ outer(SG/SB/SC) + inner(SW/SW SG/SG)



7603202
4000K CRI>80
8W / 220-240VAC 50-60HZ
NOT DIMMING
Δ outer(SG/SB/SC) + inner(SW/SW SG/SG)



**GUARD 1 FRONT LIGHT ONLY**





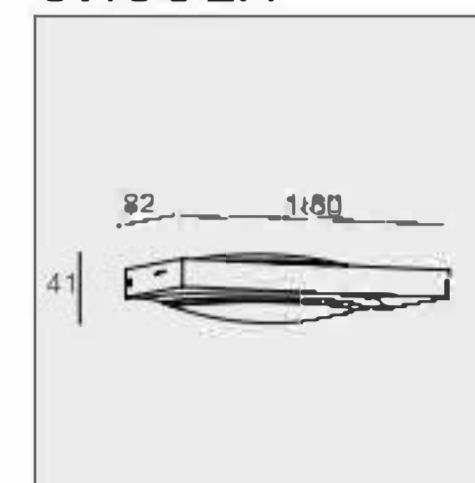
**GUARD 2** FRONT & BACK LIGHT

# URSULA



INTERIOR  
WALL SURFACE

## URSULA



4601901

3000K / 4000K CRI>80

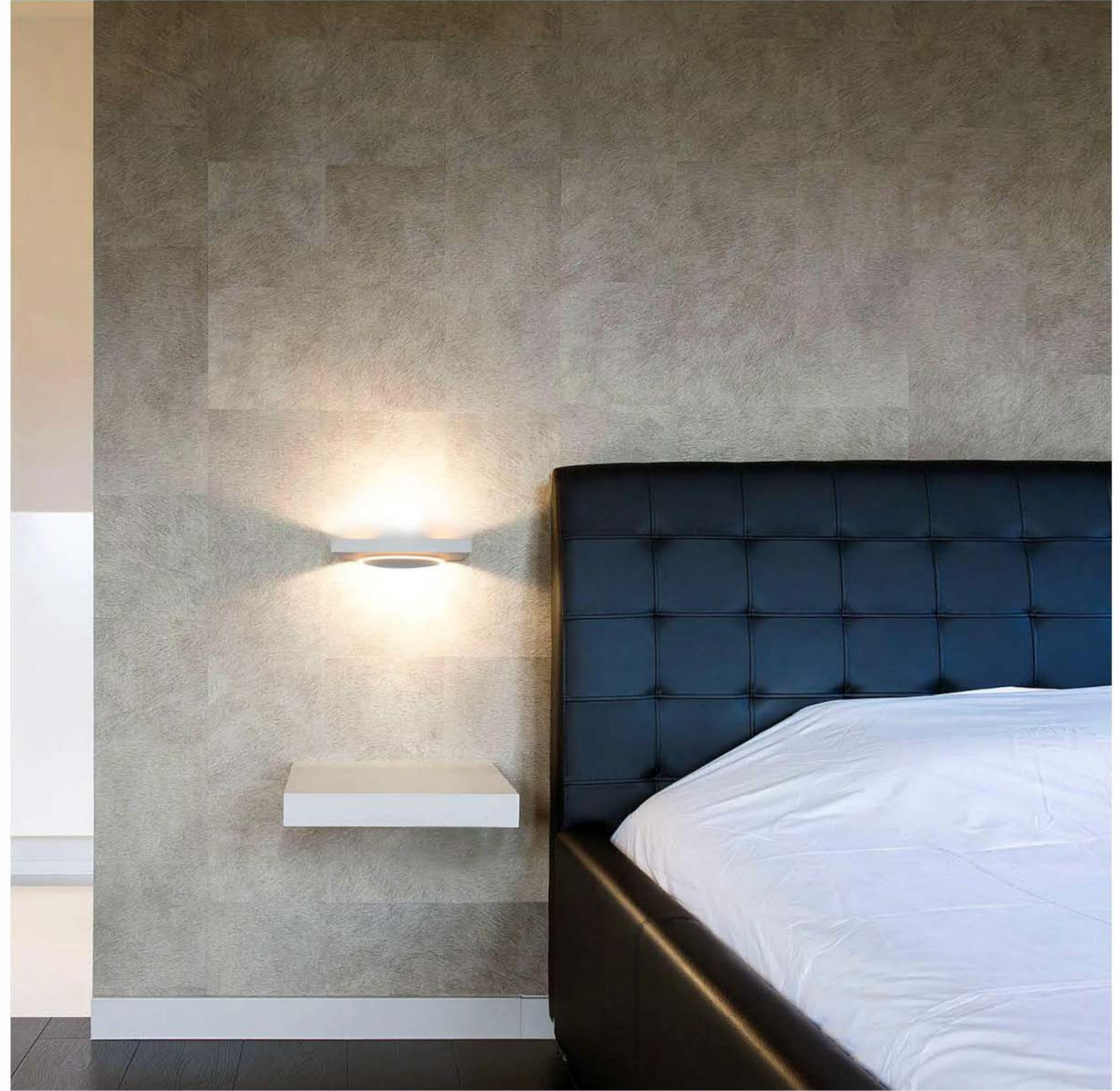
6W / 220-240VAC 50-60Hz

NOT DIMMING

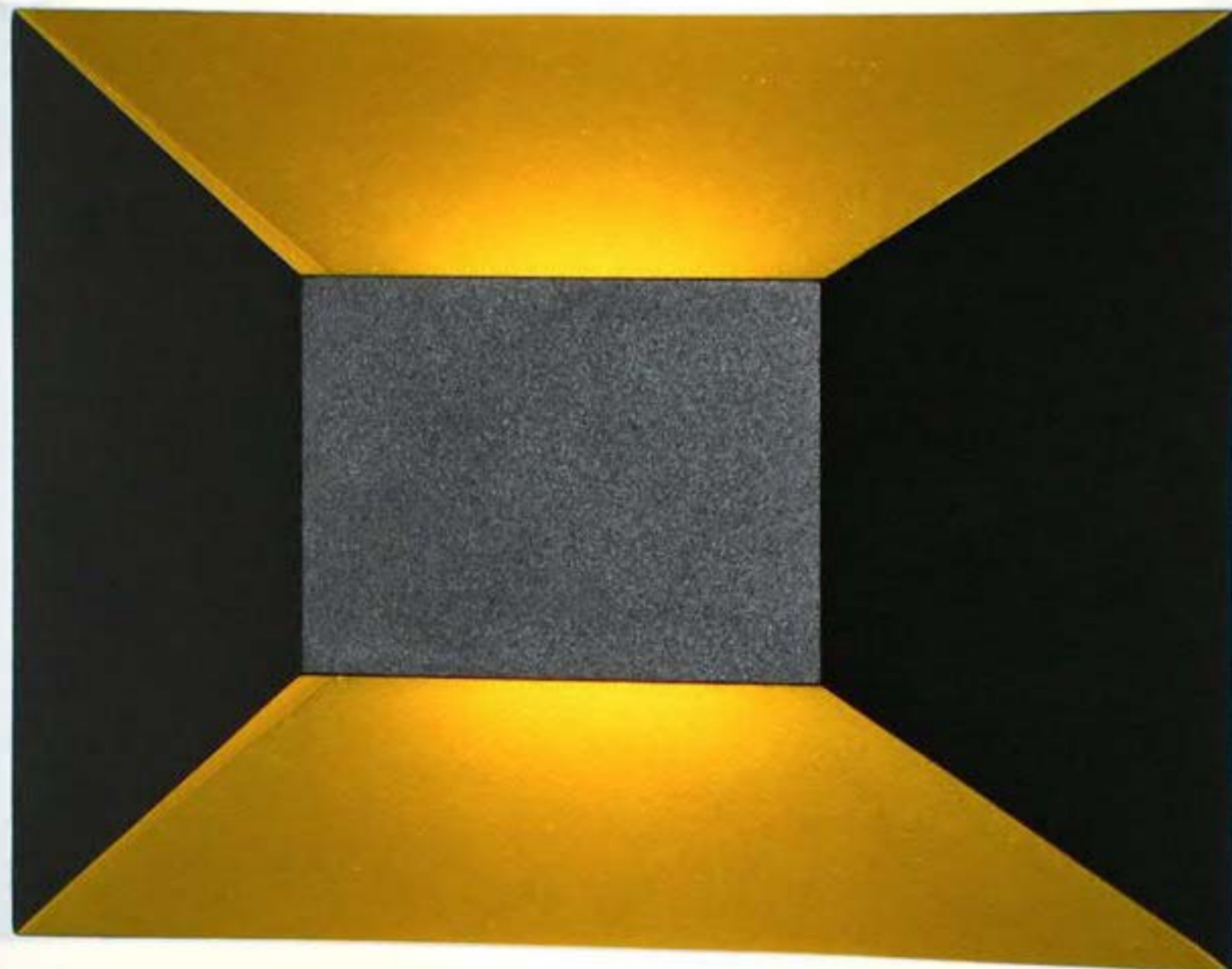
SW / SB / SC / SG

**REQUIREMENTS**  
LED POWER SUPPLY 350mA-DC  
NO FLICKER



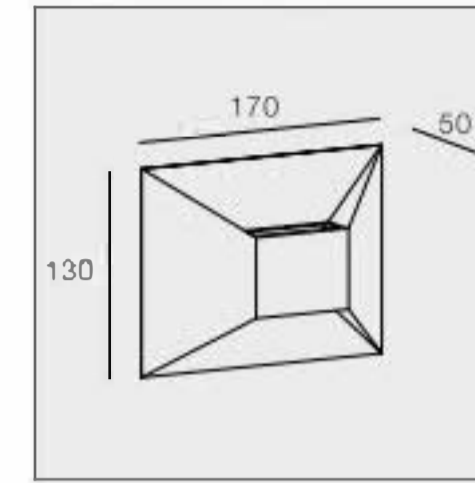


# ADDRESS



INTERIOR  
WALL SURFACE

## ADDRESS



4608501

3000K / 4000K CRI>80

2\*3W / 220-240VAC 50-60Hz

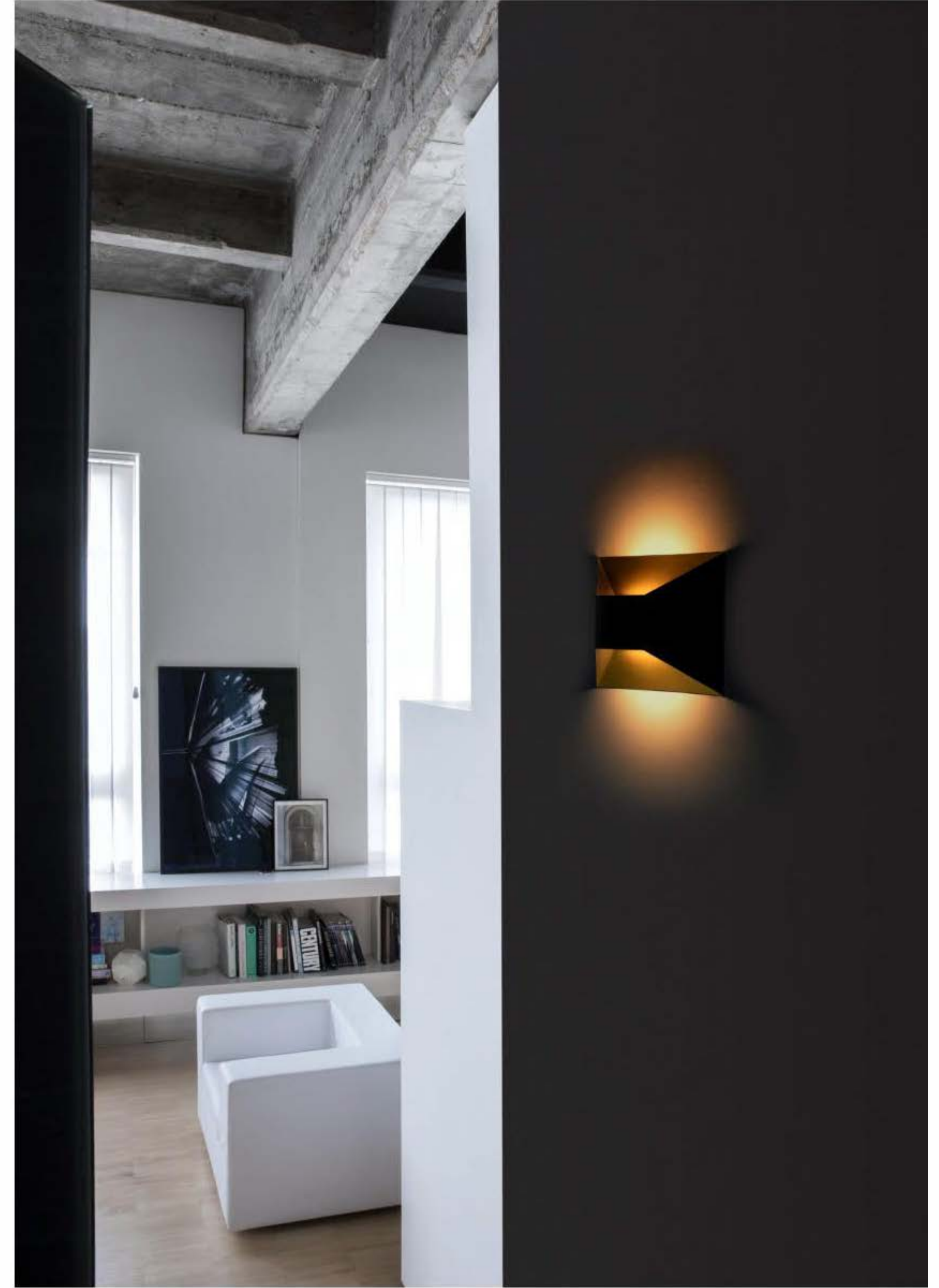
NOT DIMMING

SW / SB / SC / SG

**REQUIREMENTS**  
LED POWER SUPPLY 500mA-DC  
NO FLICKER





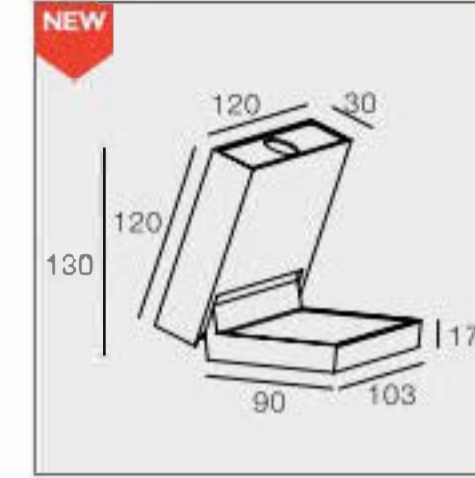


**NEW** TANK



INTERIOR  
WALL SURFACE

**TANK**



4604601
3000K / 4000K CRI>80
7W / 100-240VAC 50-60Hz
NOT DIMMING
SW/SB/SC/SG

**REQUIREMENTS**  
LED POWER SUPPLY 1050mA-DC  
NO FLICKER

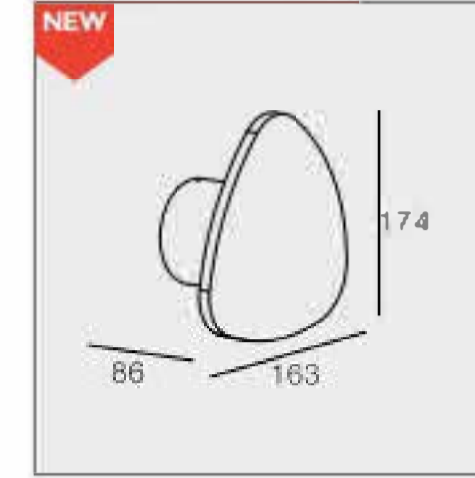




# NEW MUSHRM



## MUSHRM S



**REQUIREMENTS**  
LED POWER SUPPLY 350mA-DC  
NO FLICKER

4603701

3000K / 4000K CRI>80

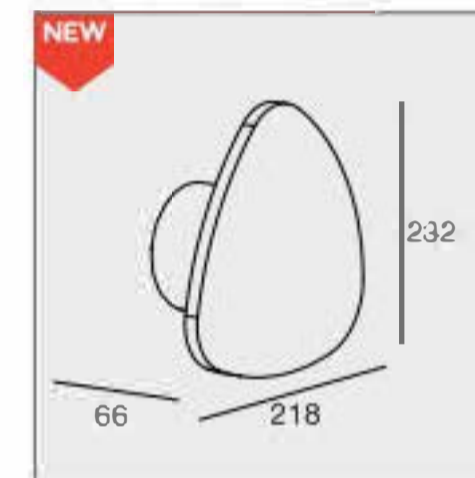
6W / 220-240VAC 50-60Hz

NOT DIMMING

SW / SB / SC



## MUSHRM M



**REQUIREMENTS**  
LED POWER SUPPLY 500mA-DC  
NO FLICKER

4603702

3000K / 4000K CRI>80

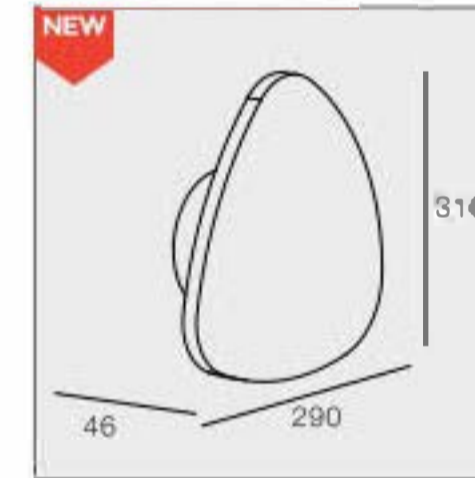
9W / 220-240VAC 50-60Hz

NOT DIMMING

SW / SB / SC



## MUSHRM L



**REQUIREMENTS**  
LED POWER SUPPLY 700mA-DC  
NO FLICKER

4603703

3000K / 4000K CRI>80

15W / 220-240VAC 50-60Hz

NOT DIMMING

SW / SB / SC



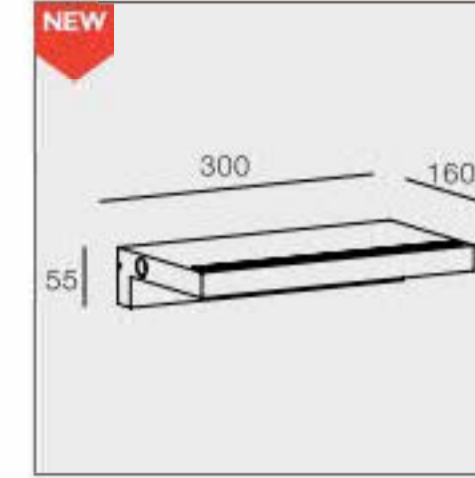


**NEW** BIRD



INTERIOR  
WALL SURFACE

**BIRD**



**REQUIREMENTS**  
LED POWER SUPPLY 350mA-DC  
NO FLICKER

4605430
3000K / 4000K CRI>80
6W / 220-240VAC 50-60Hz
NOT DIMMING
SW/SB / SC



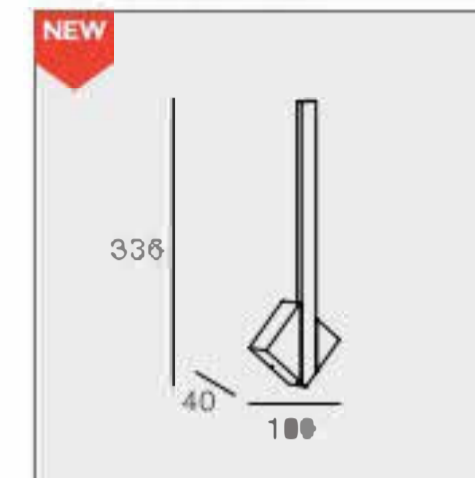


# NEW ANTENNA



INTERIOR  
WALL SURFACE

## ANTENNA



**REQUIREMENTS**  
LED POWER SUPPLY 350mA-DC  
NO FLICKER

4609101

3000K / 4000K CRI>80

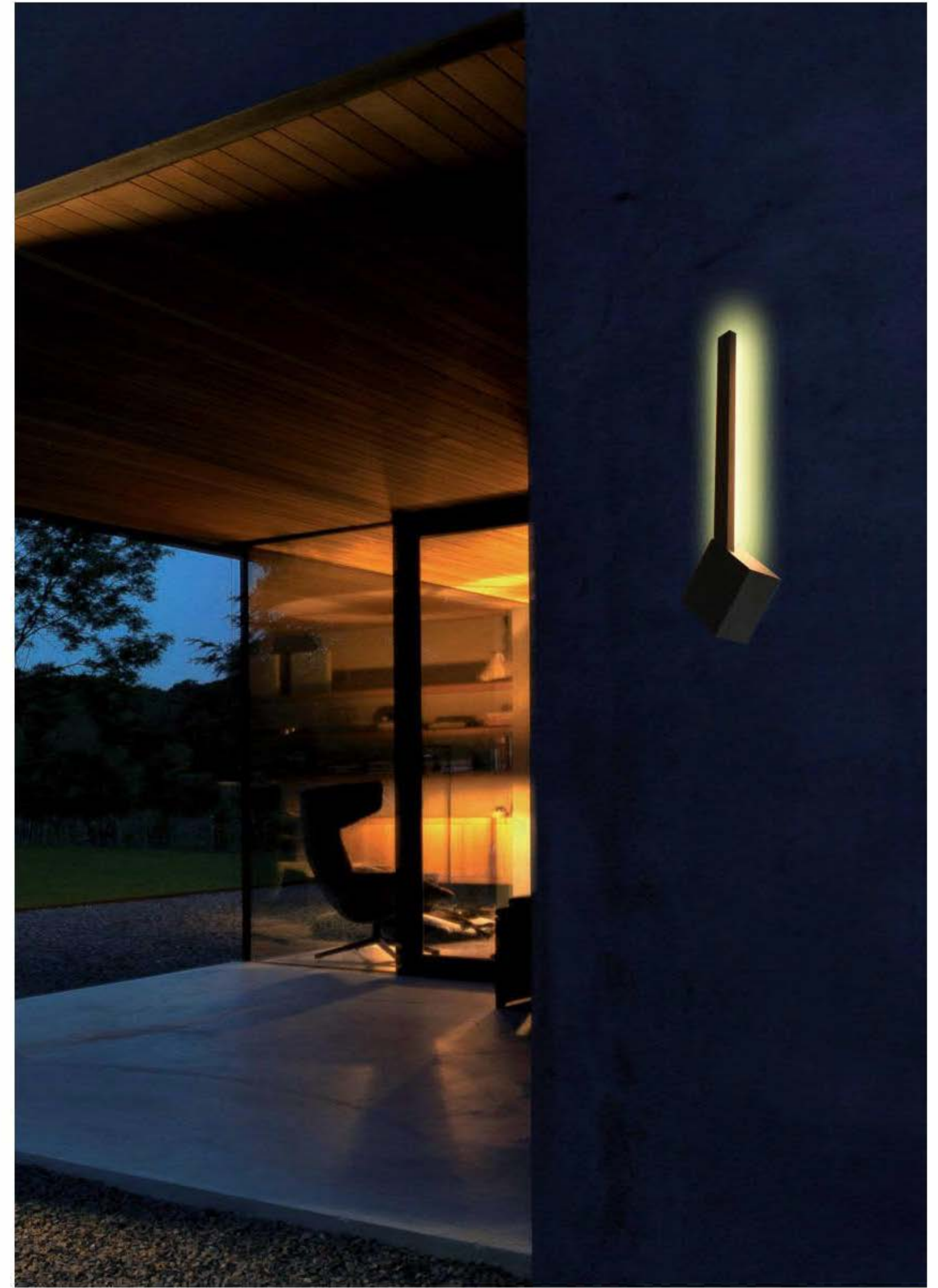
2W / 220-240VAC 50-60Hz

NOT DIMMING

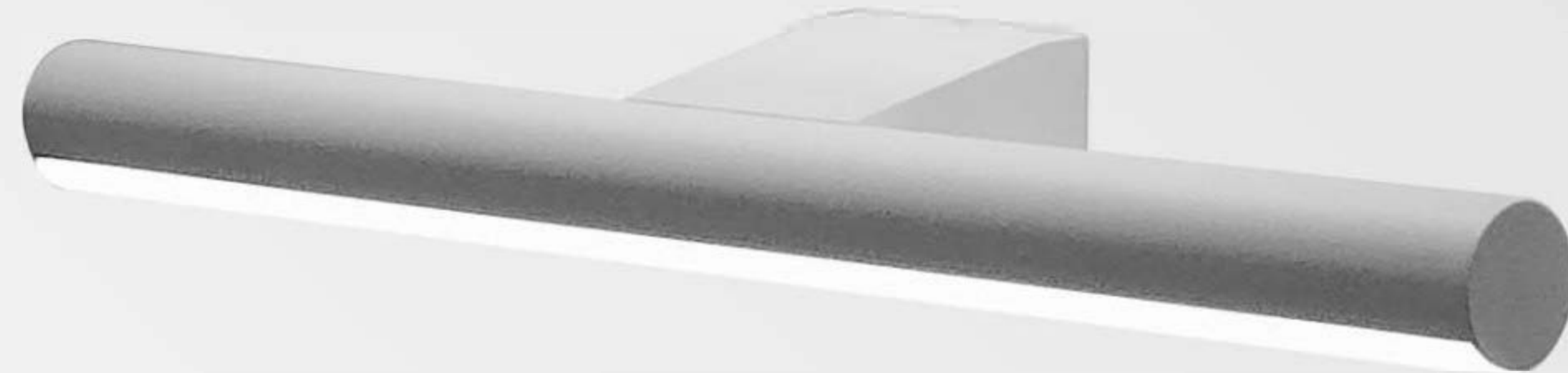
SW/SW / SC







# HORIZON

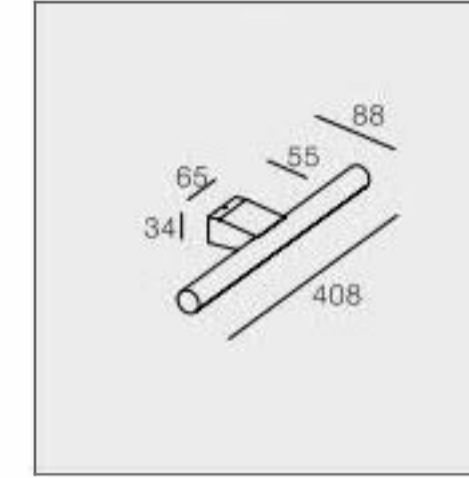


SQUARE SHAPE AVAILABLE



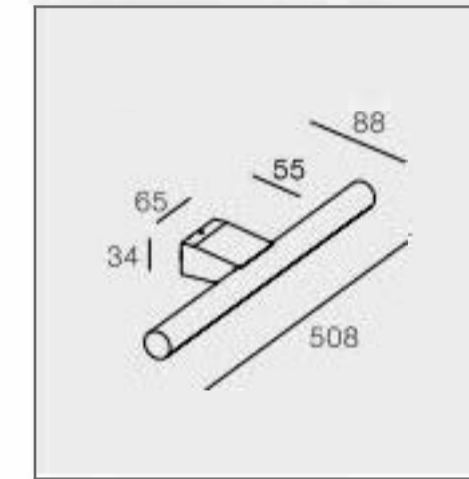
INTERIOR  
WALL SURFACE

## HORIZON S



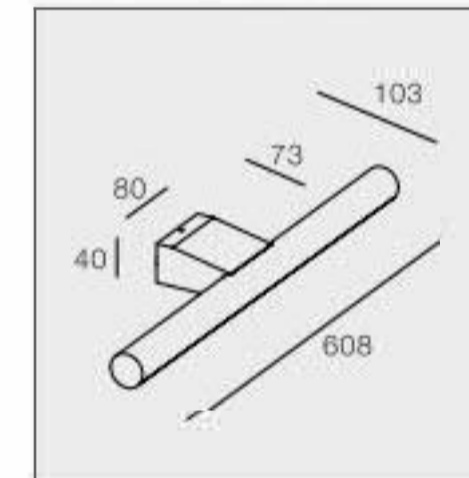
**REQUIREMENTS**  
LED POWER SUPPLY 700mA-DC  
NO FLICKER

## HORIZON M



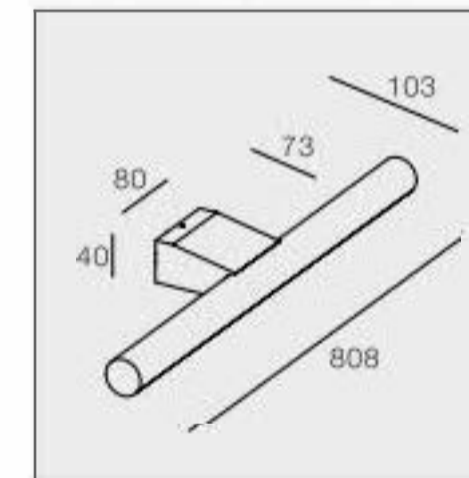
**REQUIREMENTS**  
LED POWER SUPPLY 700mA-DC  
NO FLICKER

## HORIZON L



**REQUIREMENTS**  
LED POWER SUPPLY 700mA-DC  
NO FLICKER

## HORIZON XL



**REQUIREMENTS**  
LED POWER SUPPLY 700mA-DC  
NO FLICKER

4608201

3000K / 4000K CRI>80

9W / 220-240VAC 50-60Hz

NOT DIMMING

ΔSW / S<sub>2</sub> / SG / SC



4608202

3000K / 4000K CRI>80

9W / 220-240VAC 50-60Hz

NOT DIMMING

ΔSW / S<sub>2</sub> / SG / SC



4608203

3000K / 4000K CRI>80

18W / 220-240VAC 50-60Hz

NOT DIMMING

ΔSW / S<sub>2</sub> / SG / SC



4608204

3000K / 4000K CRI>80

18W / 220-240VAC 50-60Hz

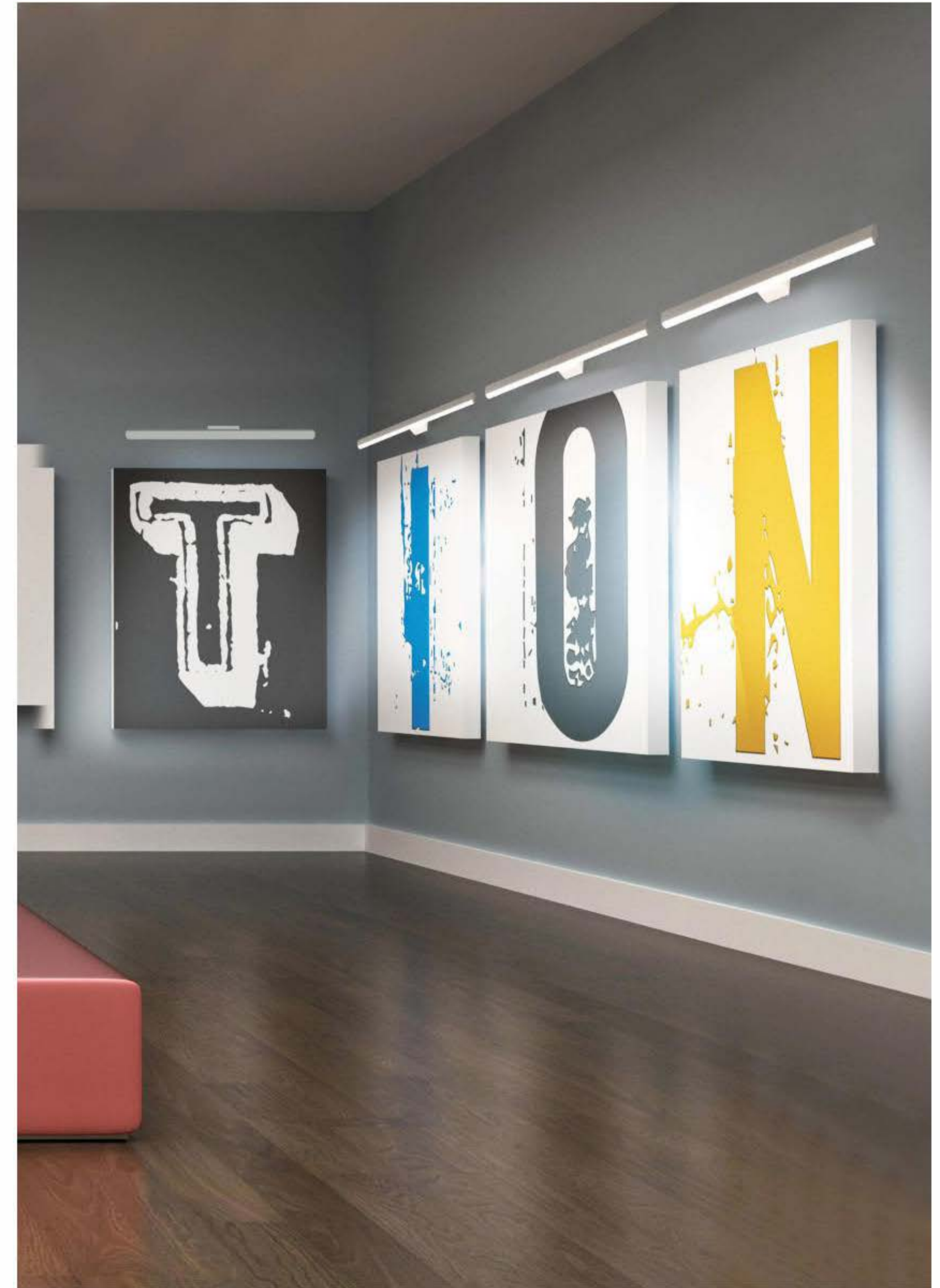
NOT DIMMING

ΔSW / S<sub>2</sub> / SG / SC





INTERIOR  
WALL SURFACE



# TABLE/FLOOR LAMP OVERVIEW

In the beginning, there was light, and light is evolution. An evolution that is creative, that constantly renews itself and that will never end. Light means life. Light quality means quality of life.



INTERIOR  
TABLE / FLOOR LAMP



UFO 2.0 T  
145-152



UFO 2.0 F  
153-156



BOW  
619-622



PENCIL T  
623-624



PENCIL F  
625-628



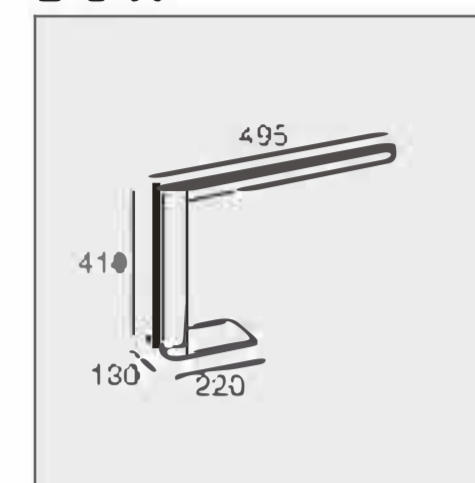
# BOW



Touch control brightness

INTERIOR  
TABLE LAMP

## BOW



**REQUIREMENTS**  
LED POWER SUPPLY 1000mA-DC  
NO FLICKER

6608101

3000K / 4000K CRI>80

14W / 220-240VAC 50-60HZ

TOUCH DIMMING

SW / S / SC



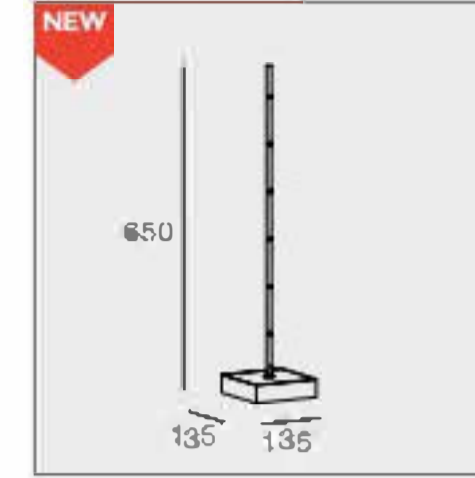


# NEW PENCIL T



INTERIOR  
TABLE LAMP

## UFO 2.0 F



**REQUIREMENTS**  
LED POWER SUPPLY 300mA-DC  
NO FLICKER

6609304

3000K / 4000K CRI>80

6W / 220-240VAC 50-60HZ

BUTTON DIMMING

SW / S / SC

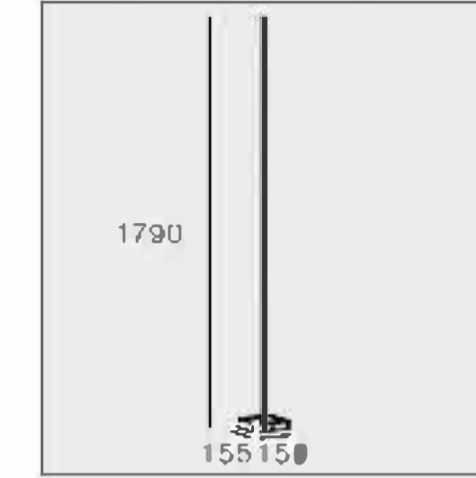


# PENCIL F

New technology creates freedom. It almost goes without saying that brightness is controlled at the light source, the head of the luminaire. Switch the light on or off or dim it with a finger.

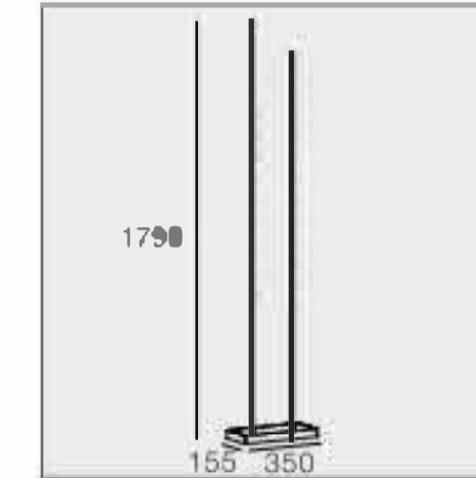


## PENCIL F S



**REQUIREMENTS**  
LED POWER SUPPLY 500mA-DC  
NO FLICKER

## PENCIL F D



**REQUIREMENTS**  
LED POWER SUPPLY 500mA-DC  
NO FLICKER

6609305

3000K / 4000K CRI>80

12W / 220-240VAC 50-60HZ

BUTTON DIMMING

▲ SW / S● / SC



6609306

3000K / 4000K CRI>80

24W / 220-240VAC 50-60HZ

BUTTON DIMMING

▲ SW / S● / SC





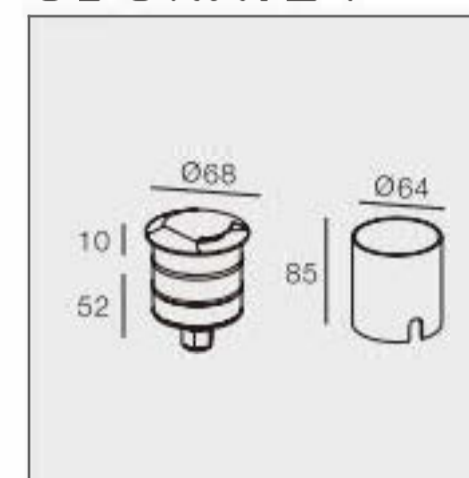


# ODONATE



EXTERIOR  
GROUND RECESSED

## ODONATE 1



CUTOUT: Ø66  
DRIVER-ACC ▶ P733-24VDC IP65

8600503

4000K CRI>80

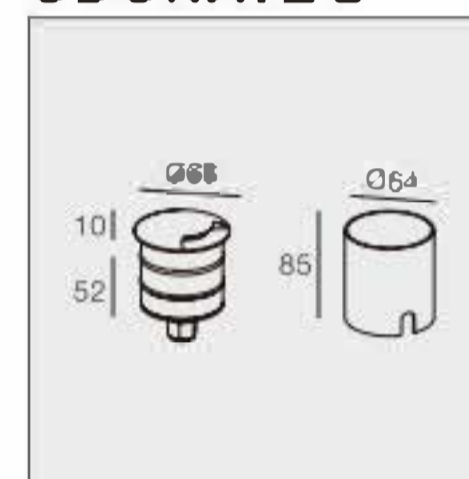
3W / 24VDC

NOT DIMMING

Δ SW/SB/SG/SC



## ODONATE 2



CUTOUT: Ø66  
DRIVER-ACC ▶ P733-24VDC IP65

8600504

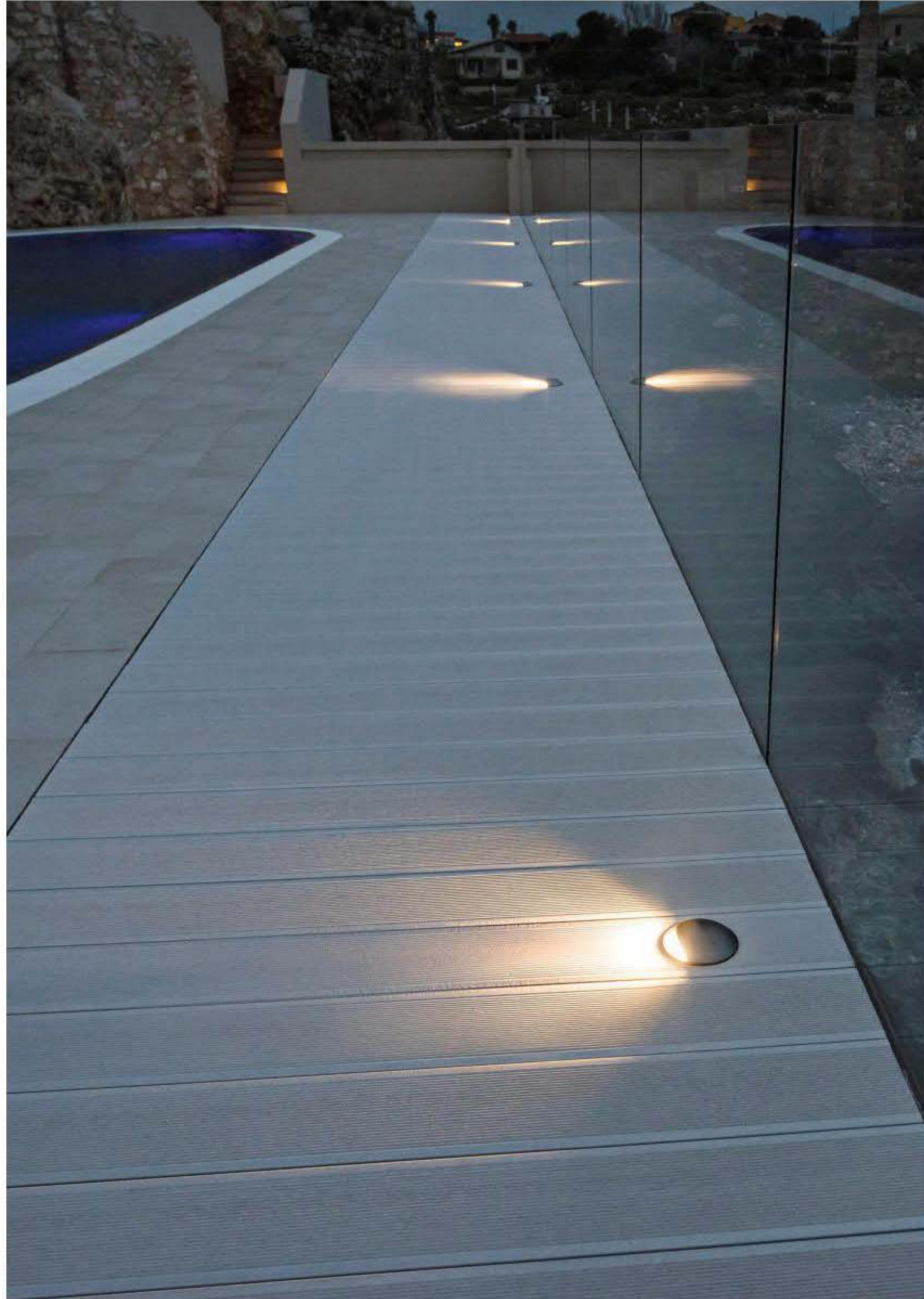
4000K CRI>80

3W / 24VDC

NOT DIMMING

Δ SW/SB/SG/SC





# BOLLARD OVERVIEW

The range of exterior bollard lamp constitutes the ideal directional or mood lighting. Position the fixtures at regular intervals to light garden paths, or use them throughout your landscape design for additional style and atmosphere.

As in the wall surface range, several bollards combine led with a lens. The light effect is reinforced, resulting in maximum beam spread and powerful play of light. Outdoor fixtures using a lens provide a unique effect when used on their own, but can also add an attractive and artistic touch when used in a composition or well planned set-up. The edna light silhouettes enable you to play with light on wall, floor or ceiling.



## EXTERIOR BOLLARD



CUBOID  
667-670



EDNA  
671-674



WARE  
675-678



MUSHROOM  
679-682



BODY  
683-686



NEW  
GUARD  
581-584

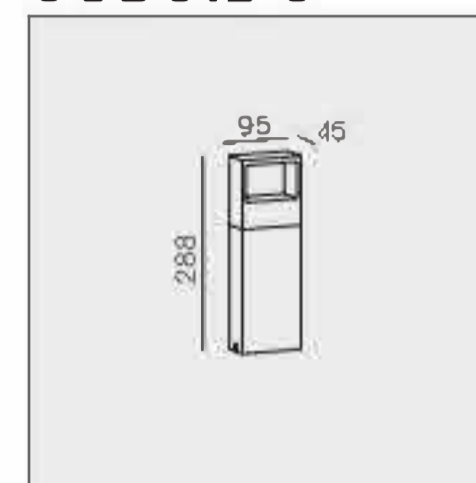


# CUBOID



EXTERIOR  
BILLBOARD

## CUBOID S



**REQUIREMENTS**  
LED POWER SUPPLY 700mA-DC  
NO FLICKER

7604801

4000K CRI>80

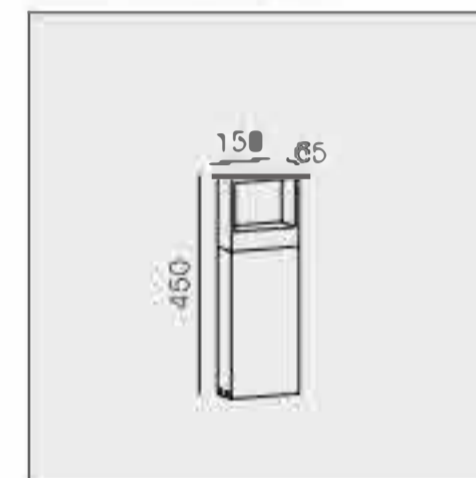
8W / 220-240VAC 50-60HZ

NOT DIMMING

ΔSW / SΔ / SG



## CUBOID M



**REQUIREMENTS**  
LED POWER SUPPLY 350mA-DC  
NO FLICKER

7604802

4000K CRI>80

13W / 220-240VAC 50-60HZ

NOT DIMMING

ΔSW / SΔ / SG



## CUBOID L



**REQUIREMENTS**  
LED POWER SUPPLY 500mA-DC  
NO FLICKER

7604803

4000K CRI>80

18W / 220-240VAC 50-60HZ

NOT DIMMING

ΔSW / SΔ / SG





# EDNA



EXTERIOR  
BOLLARD

## EDNA S



**REQUIREMENTS**  
LED POWER SUPPLY 700mA-DC  
NO FLICKER

7604901

4000K CRI>80

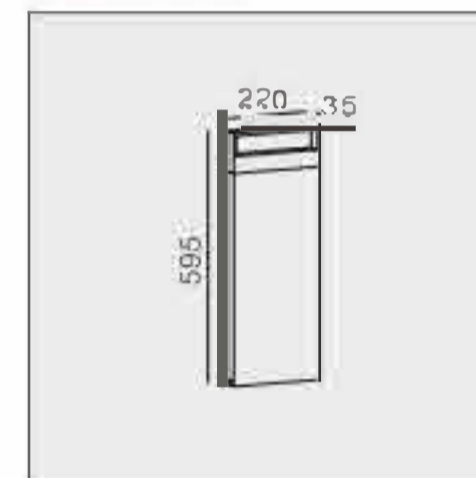
8W / 220-240VAC 50-60HZ

NOT DIMMING

SW / SB / SC



## EDNA M



**REQUIREMENTS**  
LED POWER SUPPLY 700mA-DC  
NO FLICKER

7604902

4000K CRI>80

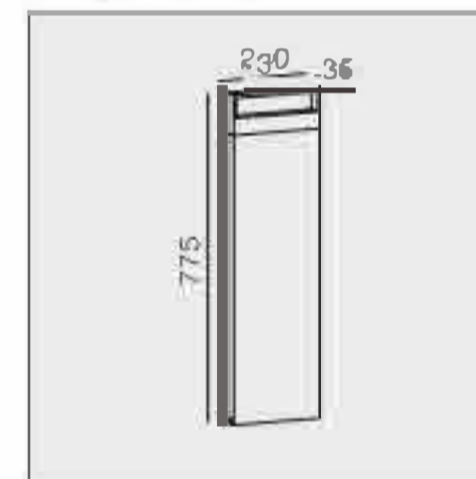
8W / 220-240VAC 50-60HZ

NOT DIMMING

SW / SB / SC



## EDNA L



**REQUIREMENTS**  
LED POWER SUPPLY 700mA-DC  
NO FLICKER

7604903

4000K CRI>80

8W / 220-240VAC 50-60HZ

NOT DIMMING

SW / SB / SC





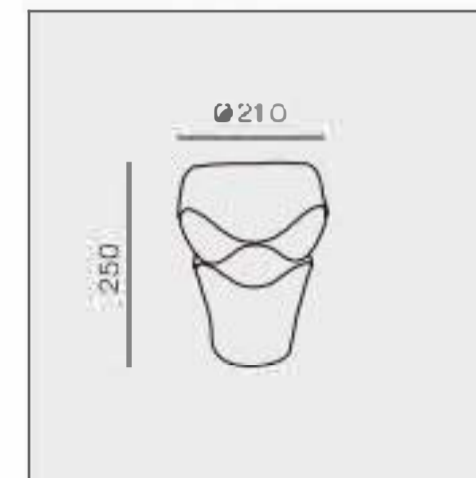


# WARE



EXTERIOR  
BOLLARD

## WARE S



**REQUIREMENTS**  
LED POWER SUPPLY 700mA-DC  
NO FLICKER

## WARE M



**REQUIREMENTS**  
LED POWER SUPPLY 150mA-DC  
NO FLICKER

7605101

4000K CRI>80

9W / 220-240VAC 50-60HZ

NOT DIMMING

outer (SG/SD)+ inner (SW/SG)



7605102

4000K CRI>80

9W / 220-240VAC 50-60HZ

NOT DIMMING

outer (SG/SD)+ inner (SW/SG)



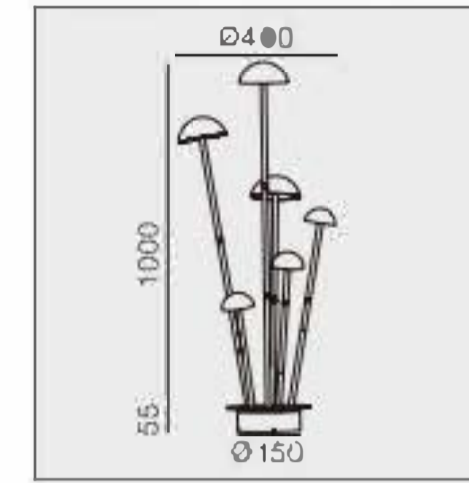




**NEW** MUSHROOM

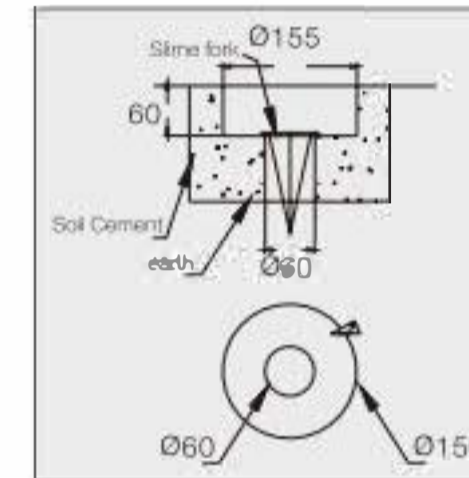
EXTERIOR  
BOLLARD

**MUSHROOM**



7606301
4000K CRI>80
23W / 220-240VAC 50-60HZ
NOT DIMMING
SW / SB / SG / SC

**REQUIREMENTS**  
LED POWER SUPPLY 700mA DC  
NO FLICKER



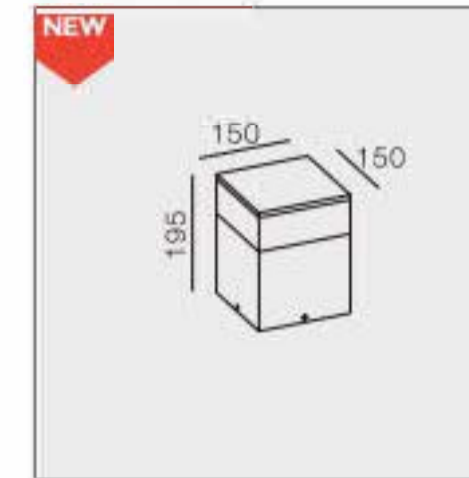


# NEW BODY



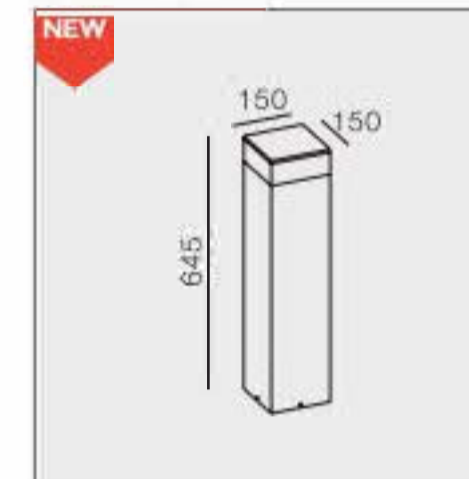
EXTERIOR  
BOLLARD

## BODY S



**REQUIREMENTS**  
LED POWER SUPPLY 500mA-DC  
NO FLICKER

## BODY M



**REQUIREMENTS**  
LED POWER SUPPLY 500mA-DC  
NO FLICKER

## BODY L



**REQUIREMENTS**  
LED POWER SUPPLY 500mA-DC  
NO FLICKER

7602601

4000K CRI>80

18W / 220-240VAC 50-60HZ

NOT DIMMING

SW / SB / SG / SC



7602602

4000K CRI>80

18W / 220-240VAC 50-60HZ

NOT DIMMING

SW / SB / SG / SC



7602603

4000K CRI>80

18W / 220-240VAC 50-60HZ

NOT DIMMING

SW / SB / SG / SC



